



US00D348095S

United States Patent [19]

[11] Patent Number: **Des. 348,095**

Simonson

[45] Date of Patent: **** Jun. 21, 1994**

[54] FOLDABLE CASTABLE CRAB TRAP

4,594,804 6/1986 Misko 43/105
4,765,088 8/1988 Stuart 43/100 X

[75] Inventor: **Henry J. Simonson, Seattle, Wash.**

Primary Examiner—A. Hugo Word
Assistant Examiner—Doris V. Coles
Attorney, Agent, or Firm—Christensen, O'Connor,
Johnson & Kindness

[73] Assignees: **Louise Simonson; Mark R. Simonson,**
both of Seattle, Wash.

[**] Term: **14 Years**

[57] **CLAIM**

[21] Appl. No.: **9,814**

The ornamental design for a foldable castable crab trap,
as shown and described.

[22] Filed: **May 28, 1993**

[52] U.S. Cl. **D22/121**

DESCRIPTION

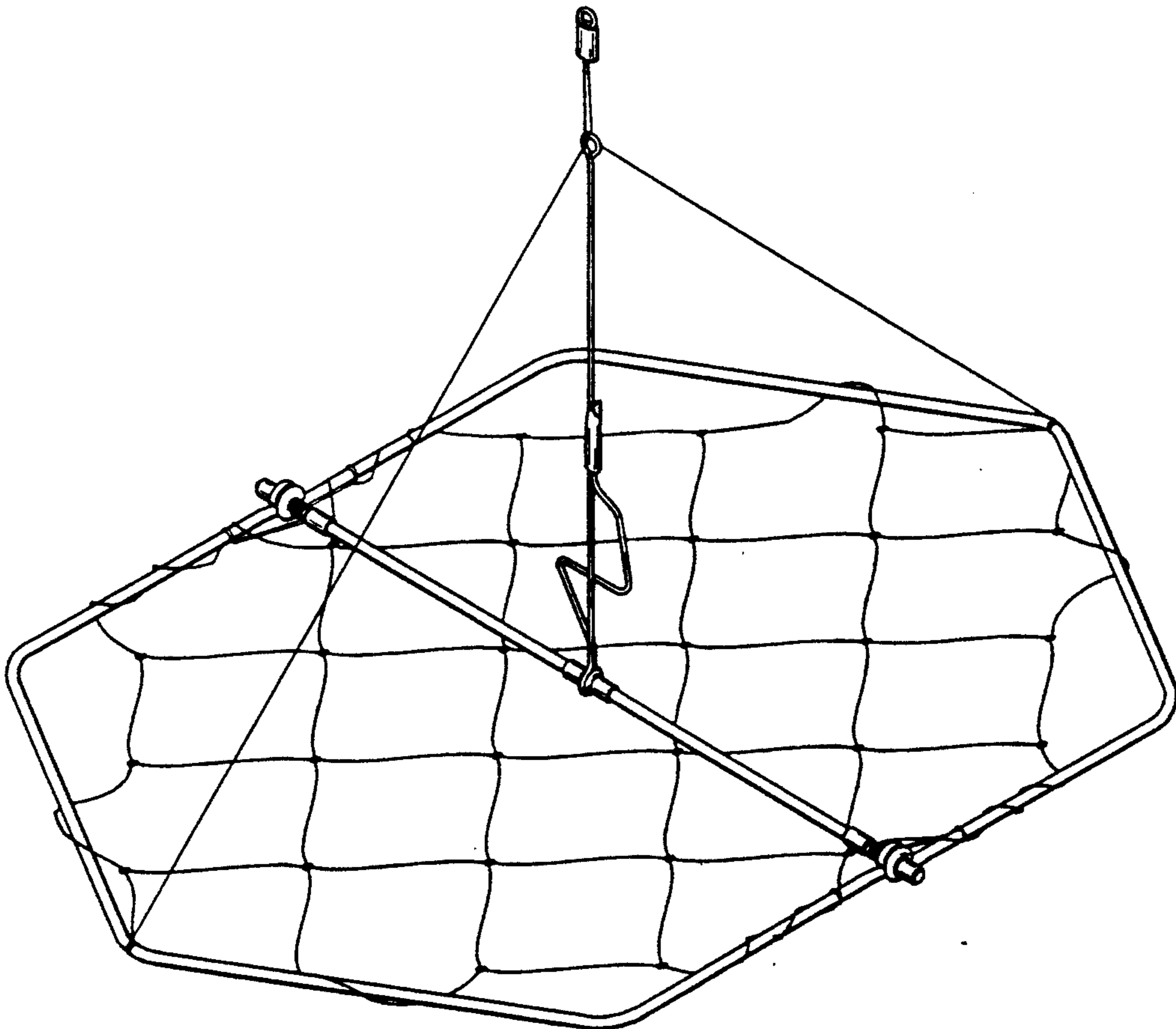
[58] Field of Search 43/100, 102, 103, 104,
43/105; D22/121

[56] **References Cited**

U.S. PATENT DOCUMENTS

D. 303,135	8/1989	Simonson	D22/121
D. 304,753	11/1989	Whitesell	D22/121
390,218	10/1888	Flick	43/105
424,548	4/1890	Franklin	43/105
446,440	2/1891	Franklin	43/105
708,380	9/1902	Merle	43/105
1,262,507	4/1918	Johnston	43/105
3,427,742	2/1969	Brown	43/100
4,050,182	9/1977	Basile	43/105
4,479,325	10/1984	Jakimas	45/105

FIG. 1 is a top perspective view of a foldable castable
crab trap showing my new design;
FIG. 2 is a top plan view thereof;
FIG. 3 is a bottom plan view thereof;
FIG. 4 is a side elevational view thereof taken from the
left of FIG. 2;
FIG. 5 is a side elevational view taken from the right of
FIG. 2;
FIG. 6 is an end elevational view thereof taken from the
left of FIG. 4;
FIG. 7 is an end elevational view thereof taken from the
right of FIG. 4; and,
FIG. 8 is a top perspective view thereof with parts in
different positions.



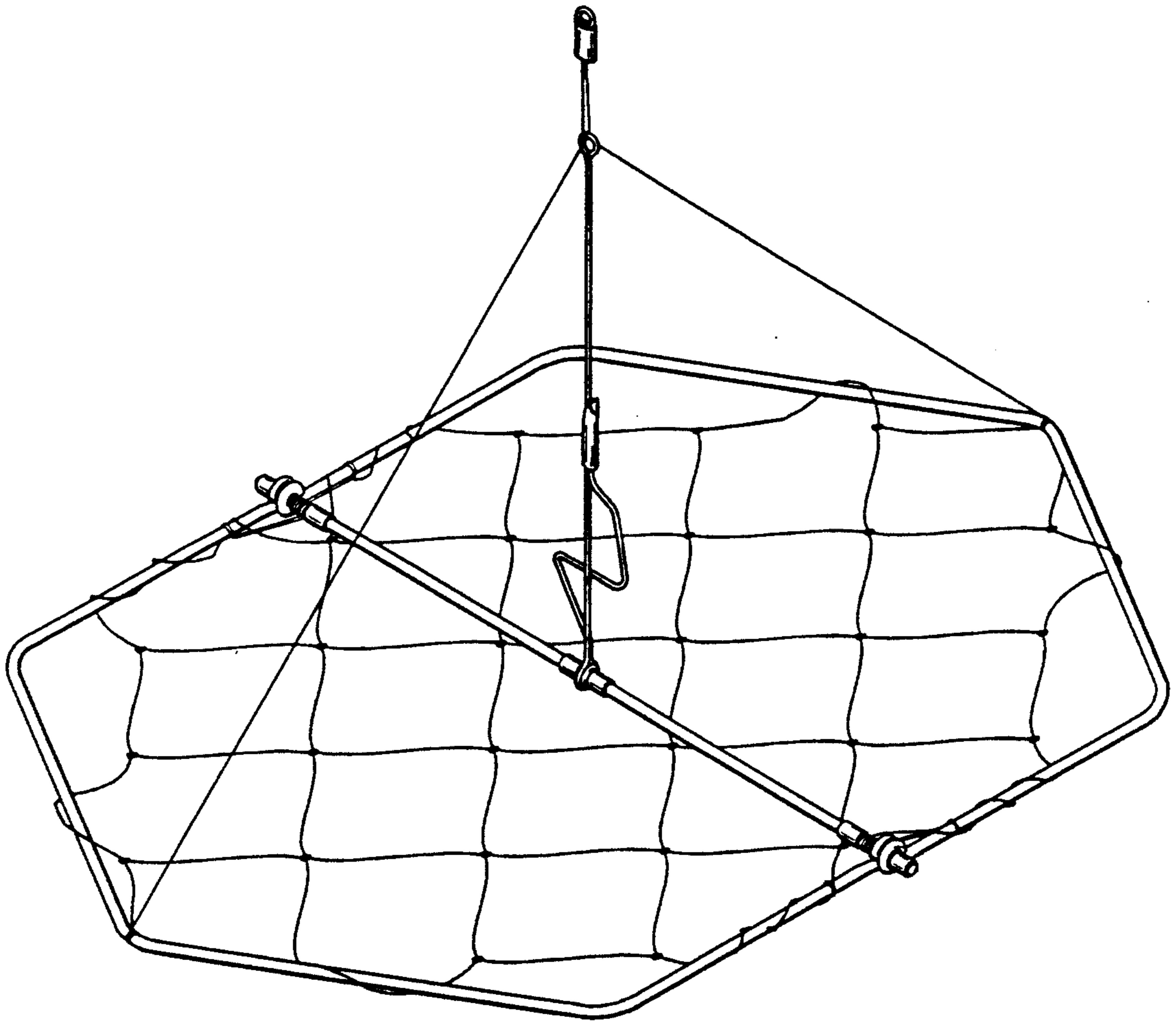


FIG. 1.

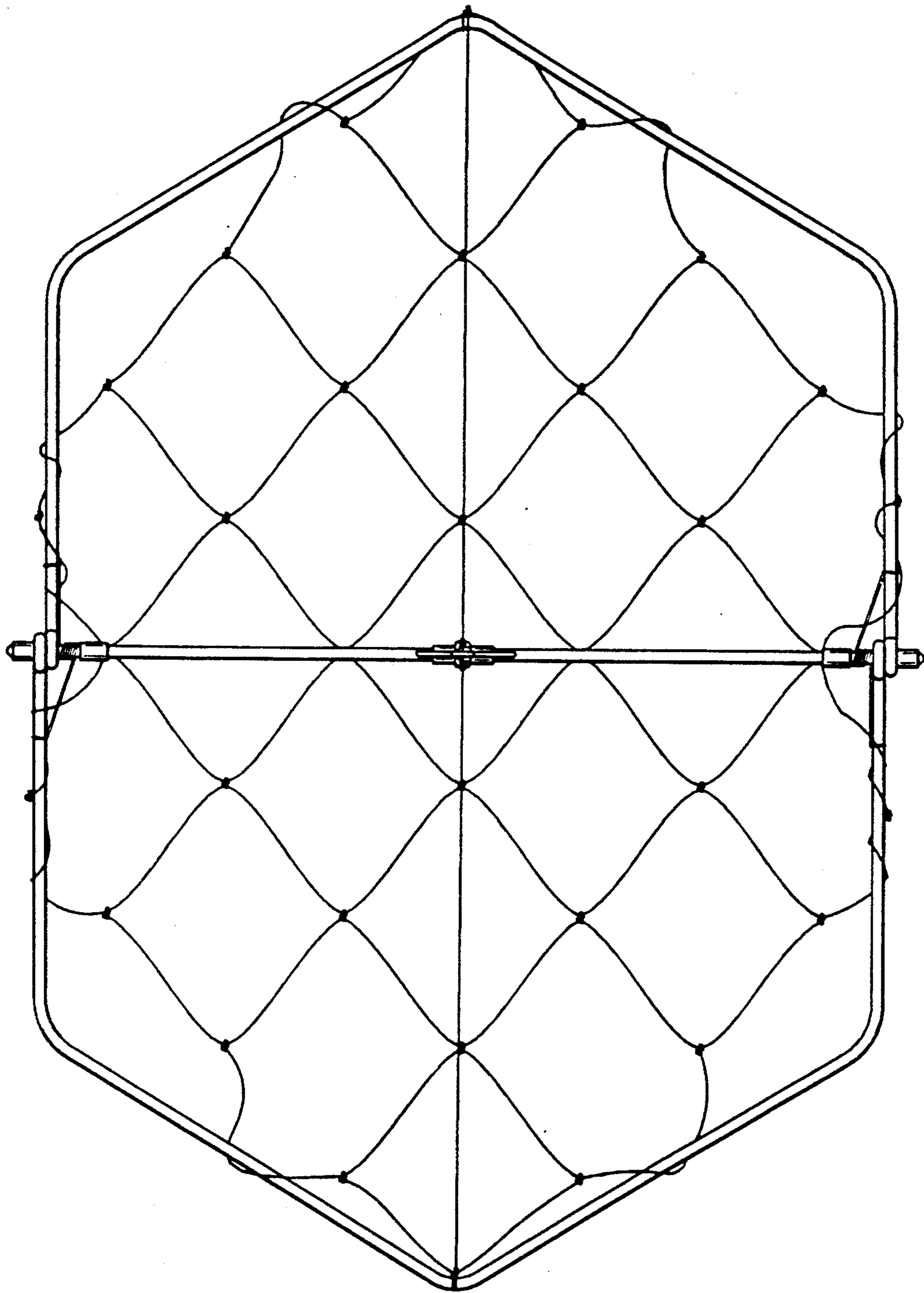


FIG. 2.

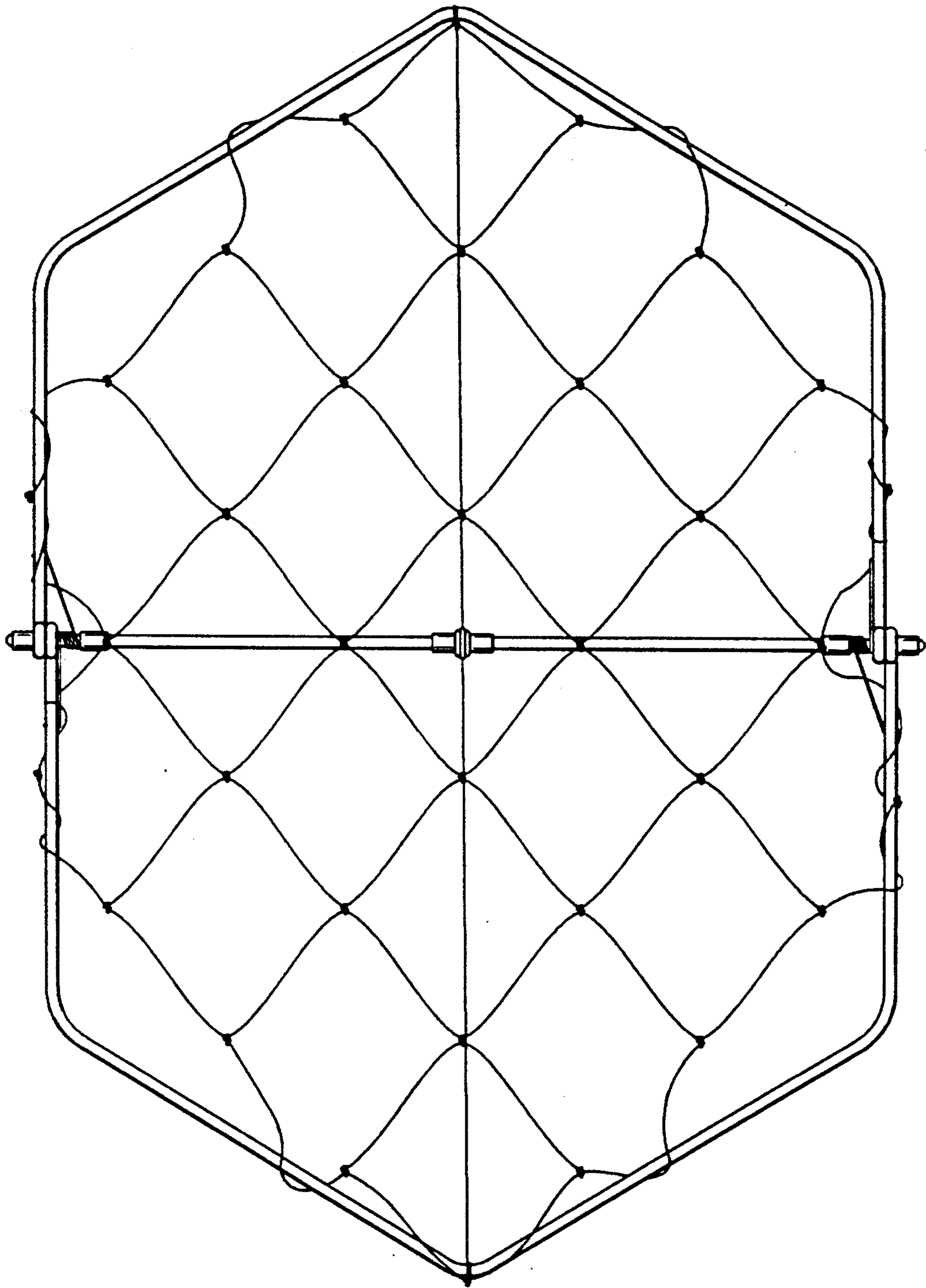


FIG. 3.

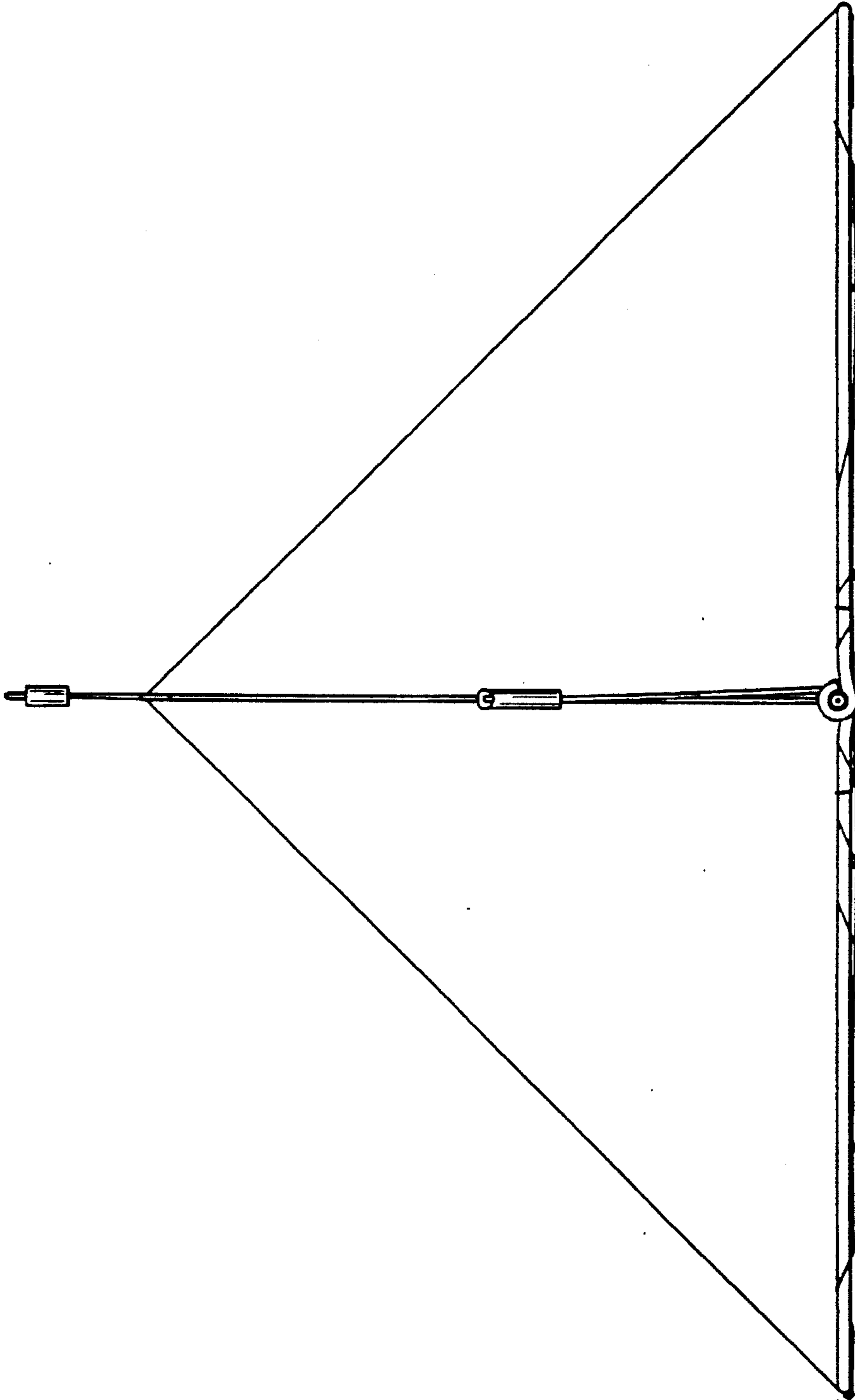


FIG. 4.

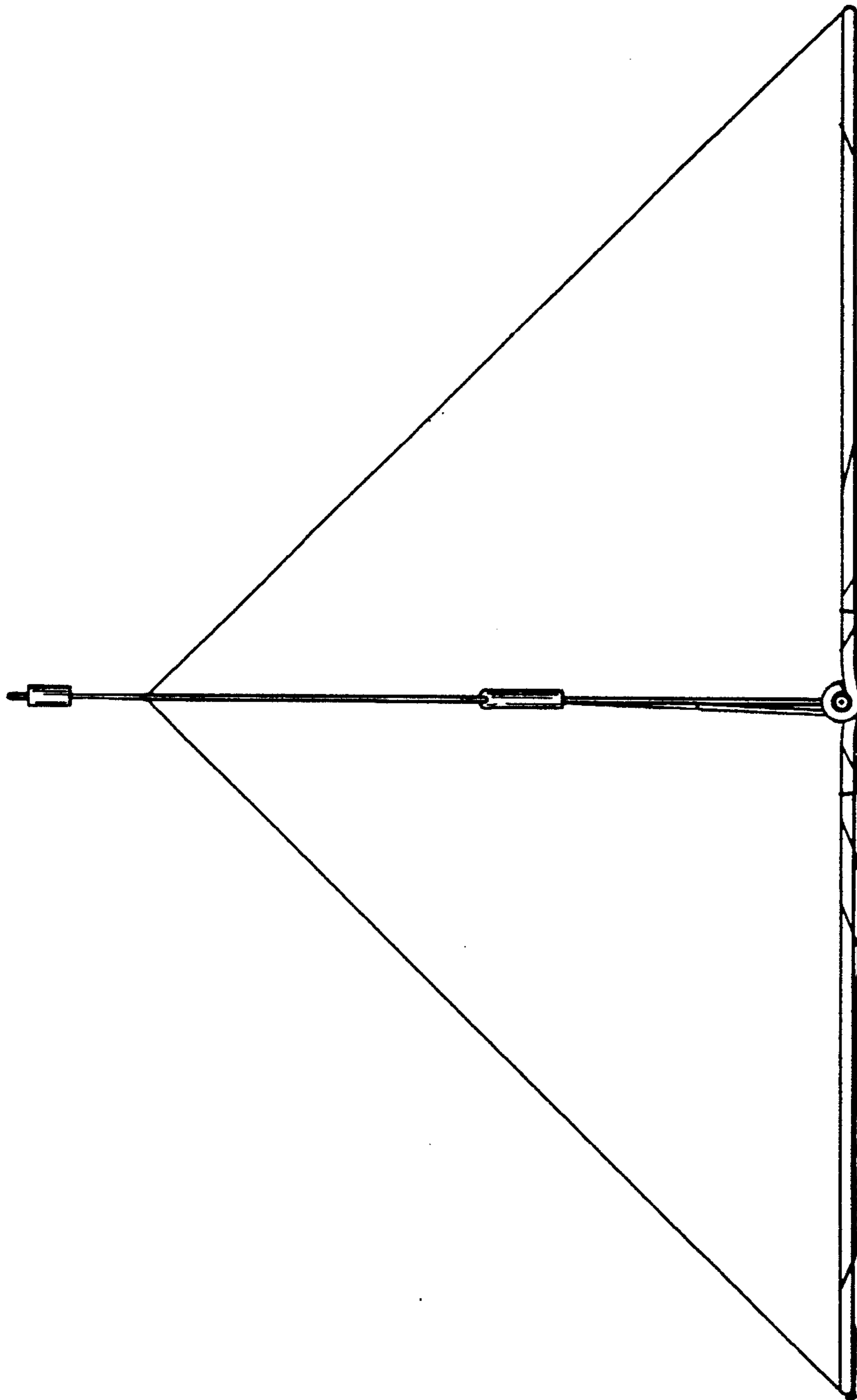


FIG. 5.

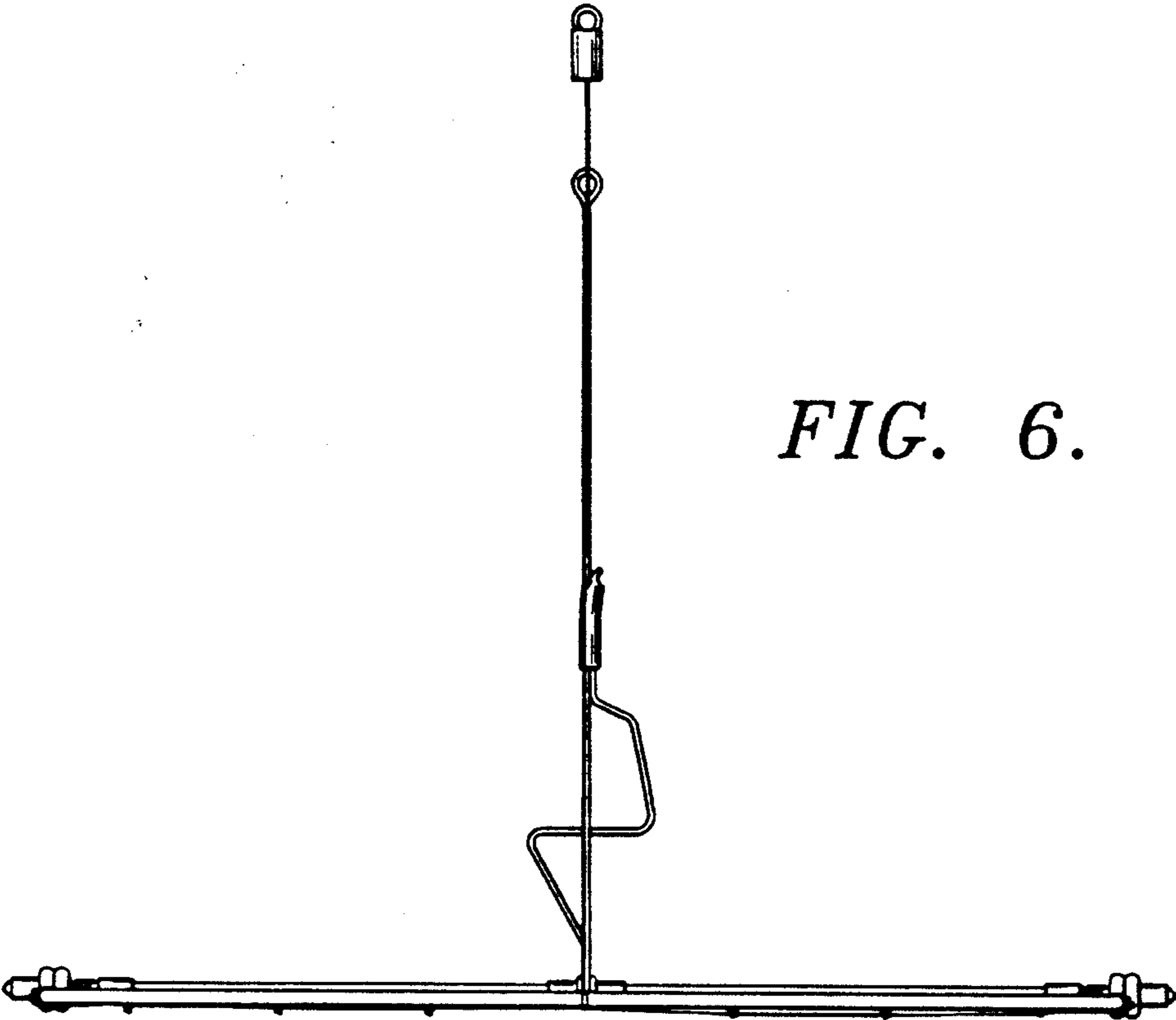


FIG. 6.

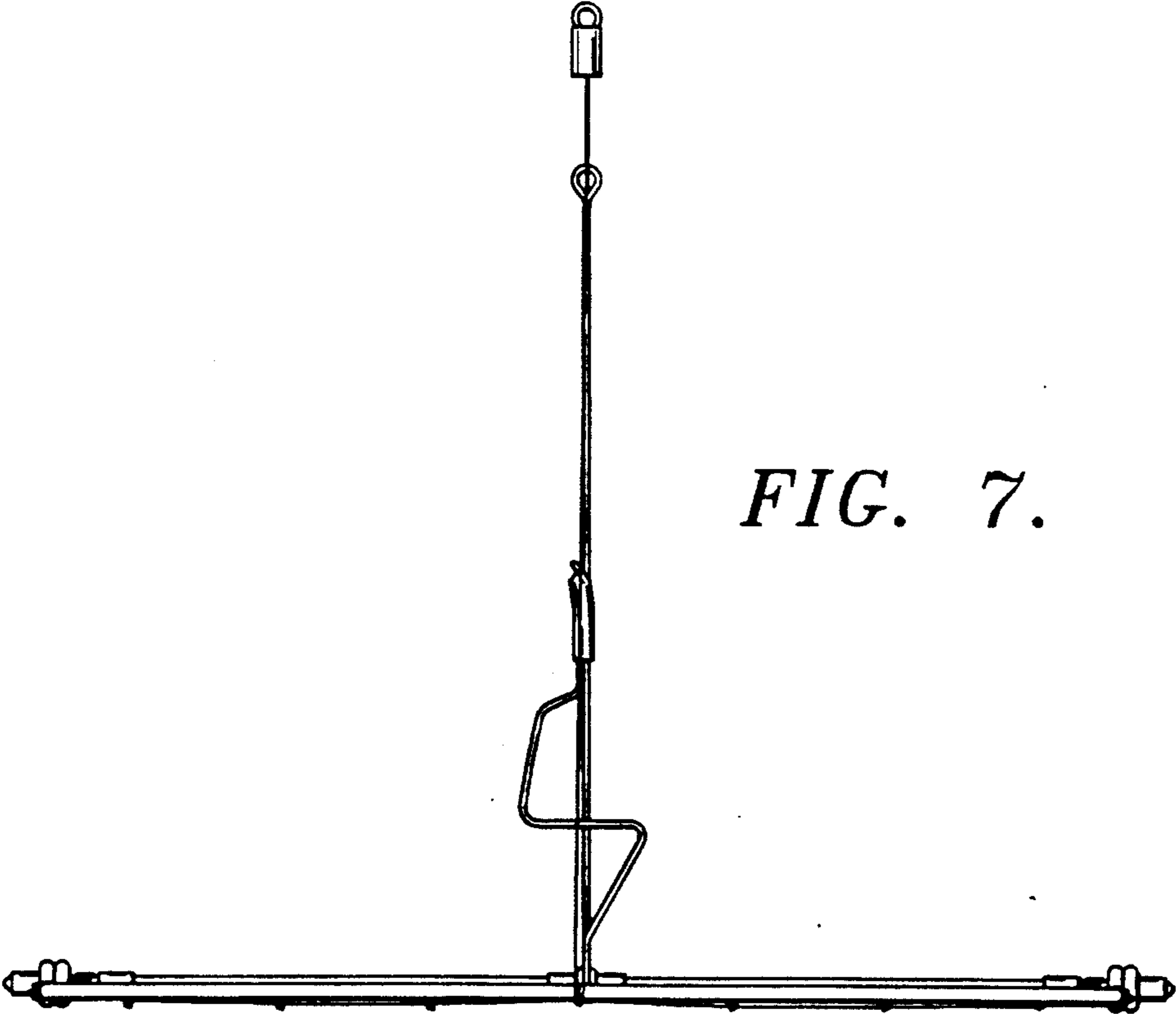


FIG. 7.

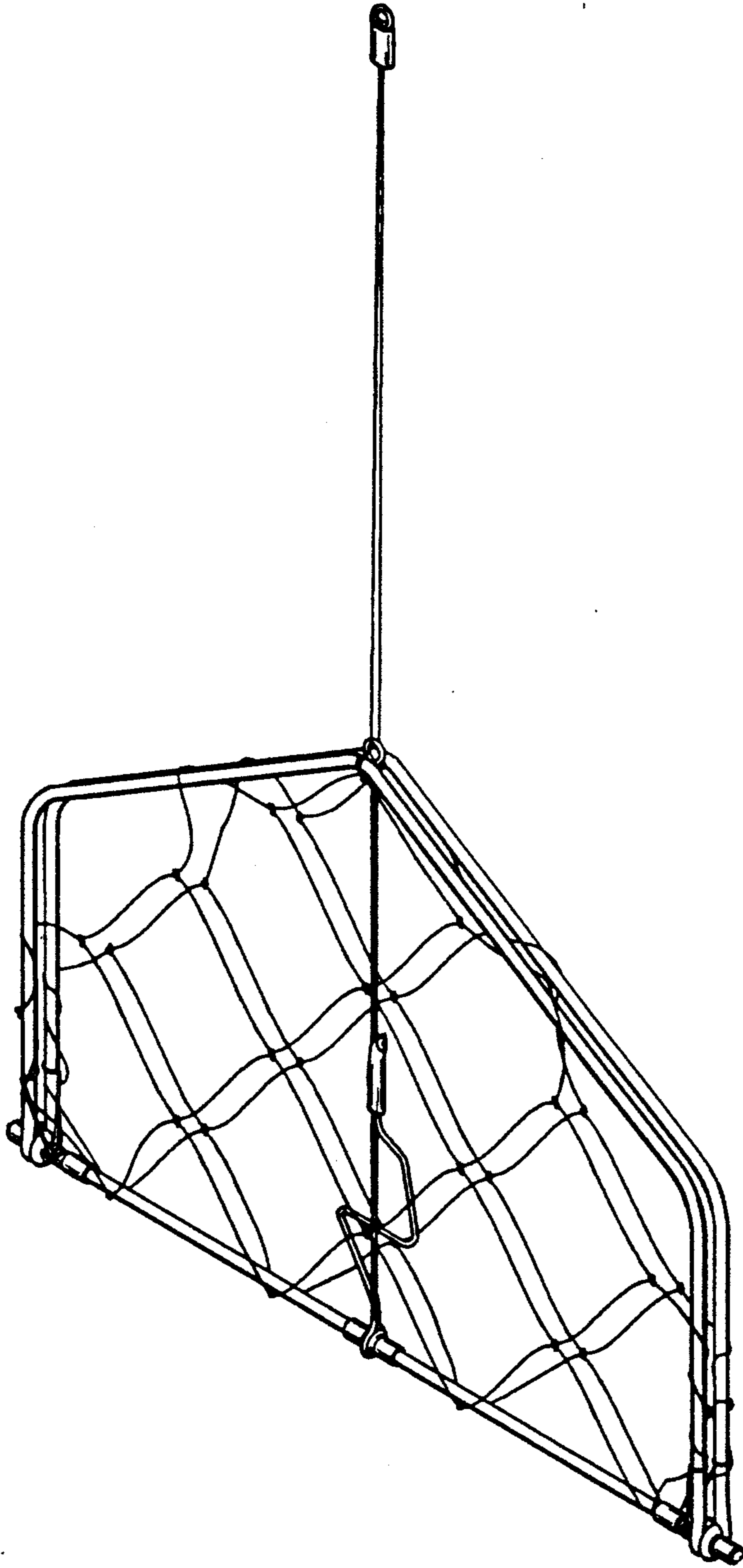


FIG. 8.