



US00D348090S

United States Patent [19]

[11] Patent Number: **Des. 348,090**

Riley, Jr.

[45] Date of Patent: **** Jun. 21, 1994**

[54] **WEIGHTED EXERCISE GLOVE**

[76] Inventor: **John L. Riley, Jr.**, 9803 Creekfront Rd., No. 1702, Jacksonville, Fla. 32256

[**] Term: **14 Years**

[21] Appl. No.: **414**

[22] Filed: **Oct. 14, 1992**

[52] U.S. Cl. **D21/196**

[58] Field of Search **D8/196, 197; 482/105, 482/106, 108, 109; D2/610, 614, 617, 619; D29/22**

4,911,433 3/1990 Walker et al. 482/105
 5,004,227 4/1991 Hoffman 482/105
 5,169,371 12/1992 Holmes 482/105

Primary Examiner—Bernard Ansher
Assistant Examiner—Philip Hyder
Attorney, Agent, or Firm—Thomas C. Saitta

[57] CLAIM

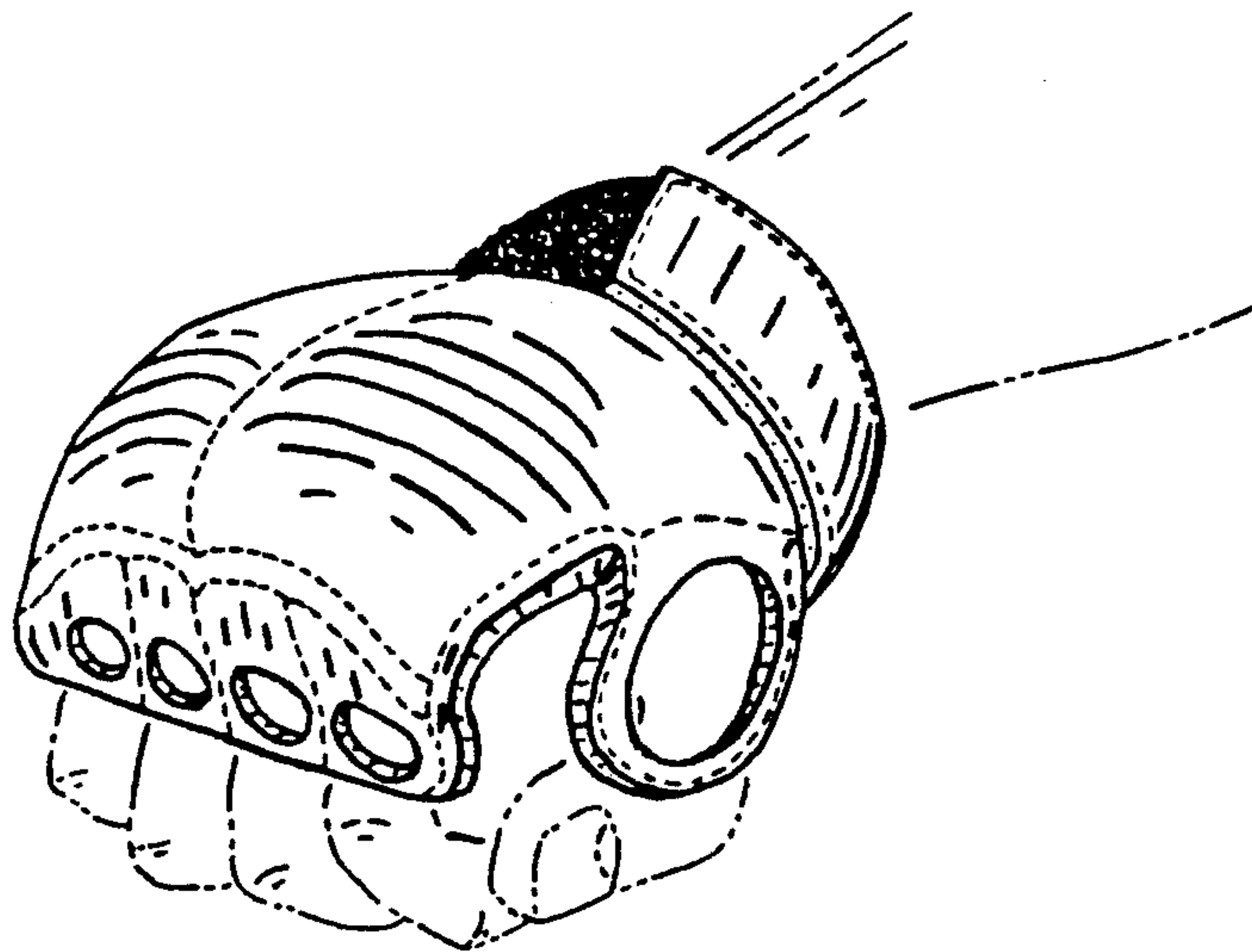
The ornamental design for a weighted exercise glove, as shown and described.

DESCRIPTION

FIG. 1 is a perspective view of a weighted exercise glove showing my new design;
 FIG. 2 is a another perspective thereof, shown in an alternate position;
 FIG. 3 is a top plan view thereof, shown in a flattened position;
 FIG. 4 is a bottom view;
 FIG. 5 is a rear view;
 FIG. 6 is a front view;
 FIG. 7 is a right side elevational view; and,
 FIG. 8 is a left side elevational view thereof.
 The broken line showing of the hand is for illustrative purposes only and forms no part of the claimed design.

[56] **References Cited**
U.S. PATENT DOCUMENTS

D. 200,415	2/1965	Tarbox	D21/196
D. 267,129	12/1982	Kneisley	D29/22
D. 320,872	10/1991	McCrane	D29/22
4,326,706	4/1982	Guthrie et al.	482/105
4,556,215	12/1985	Tarbox et al.	482/105
4,575,075	3/1986	Tarbox et al.	482/105
4,684,123	8/1987	Fabry	482/105
4,846,464	7/1989	Jorno	482/108



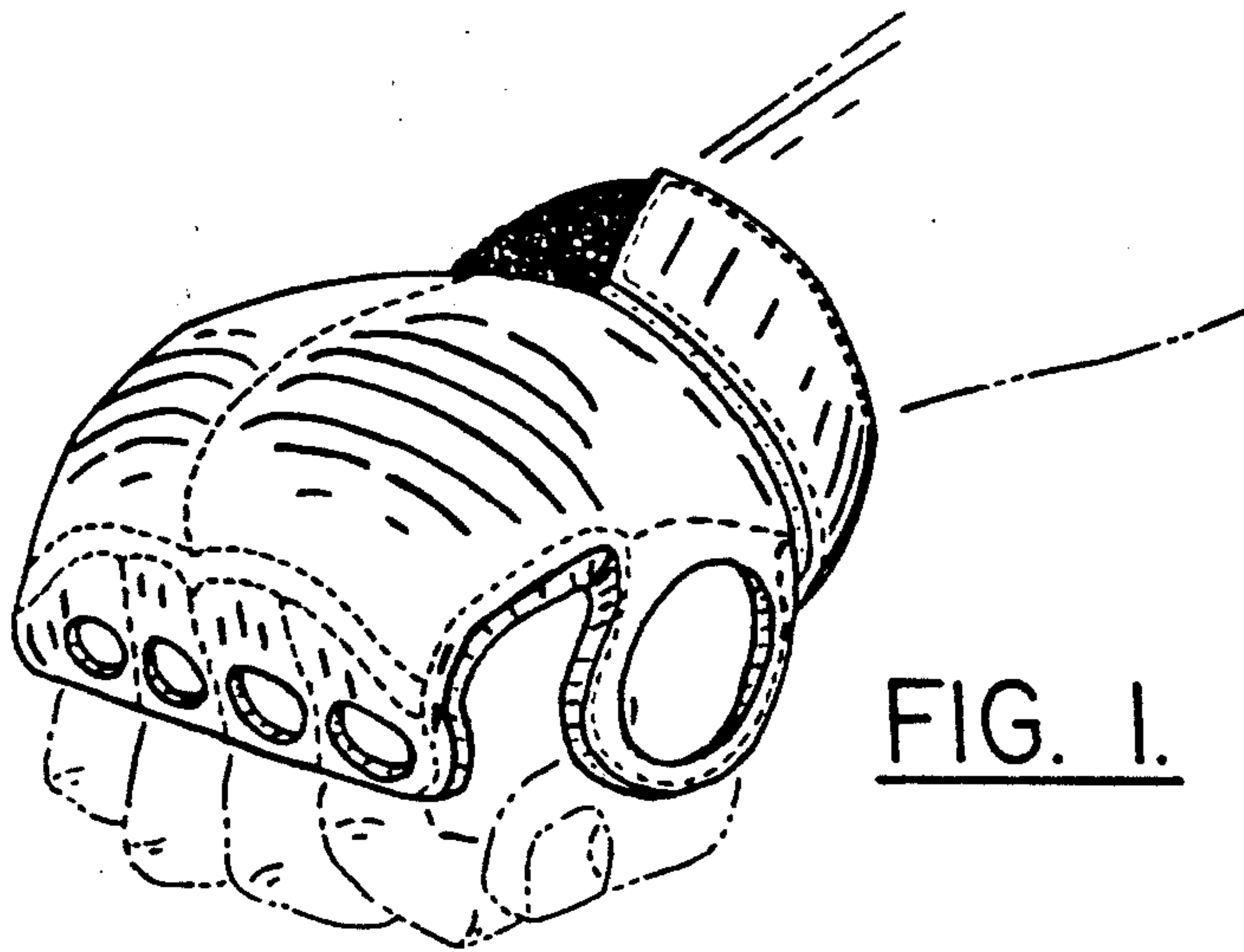


FIG. 1.

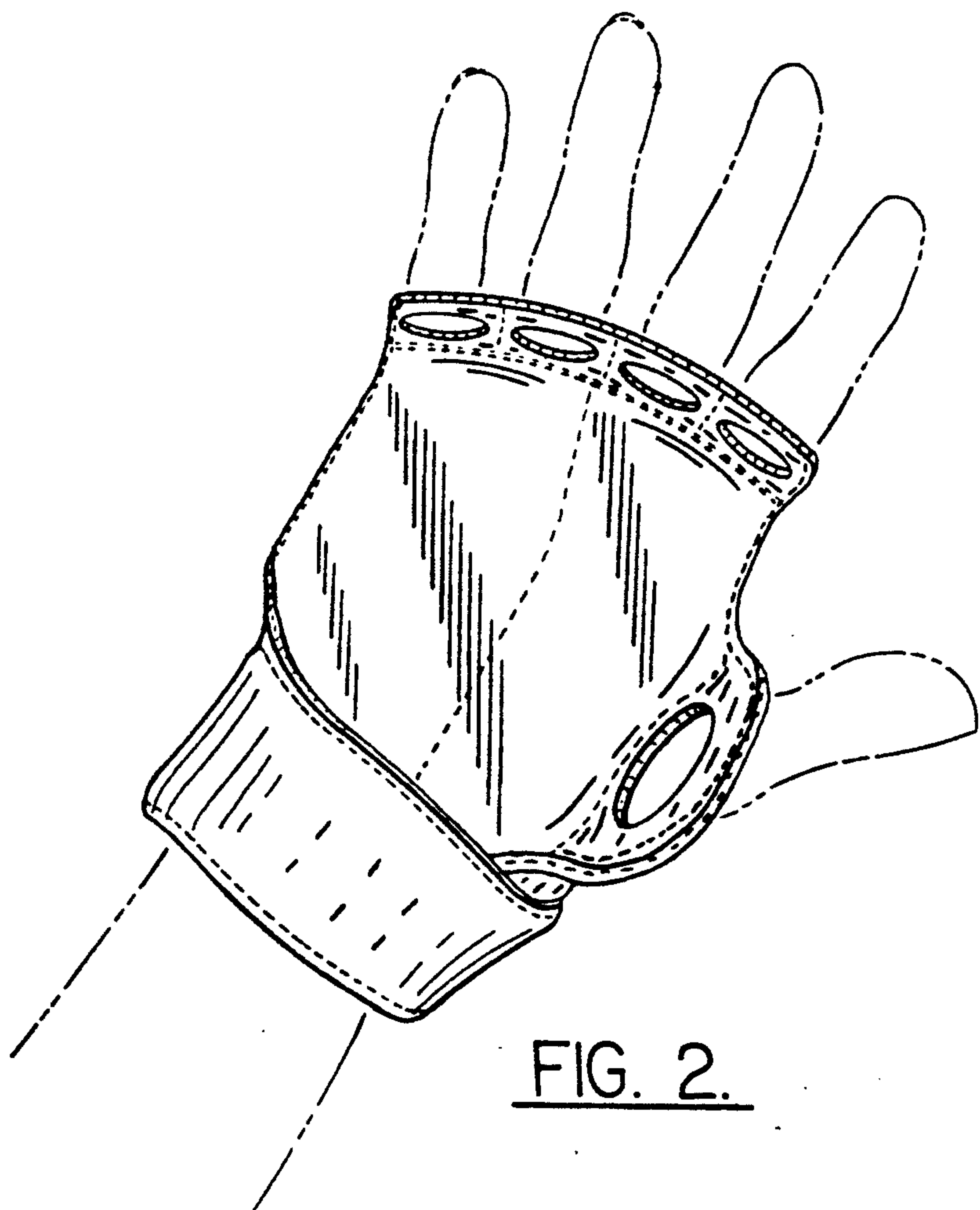


FIG. 2.

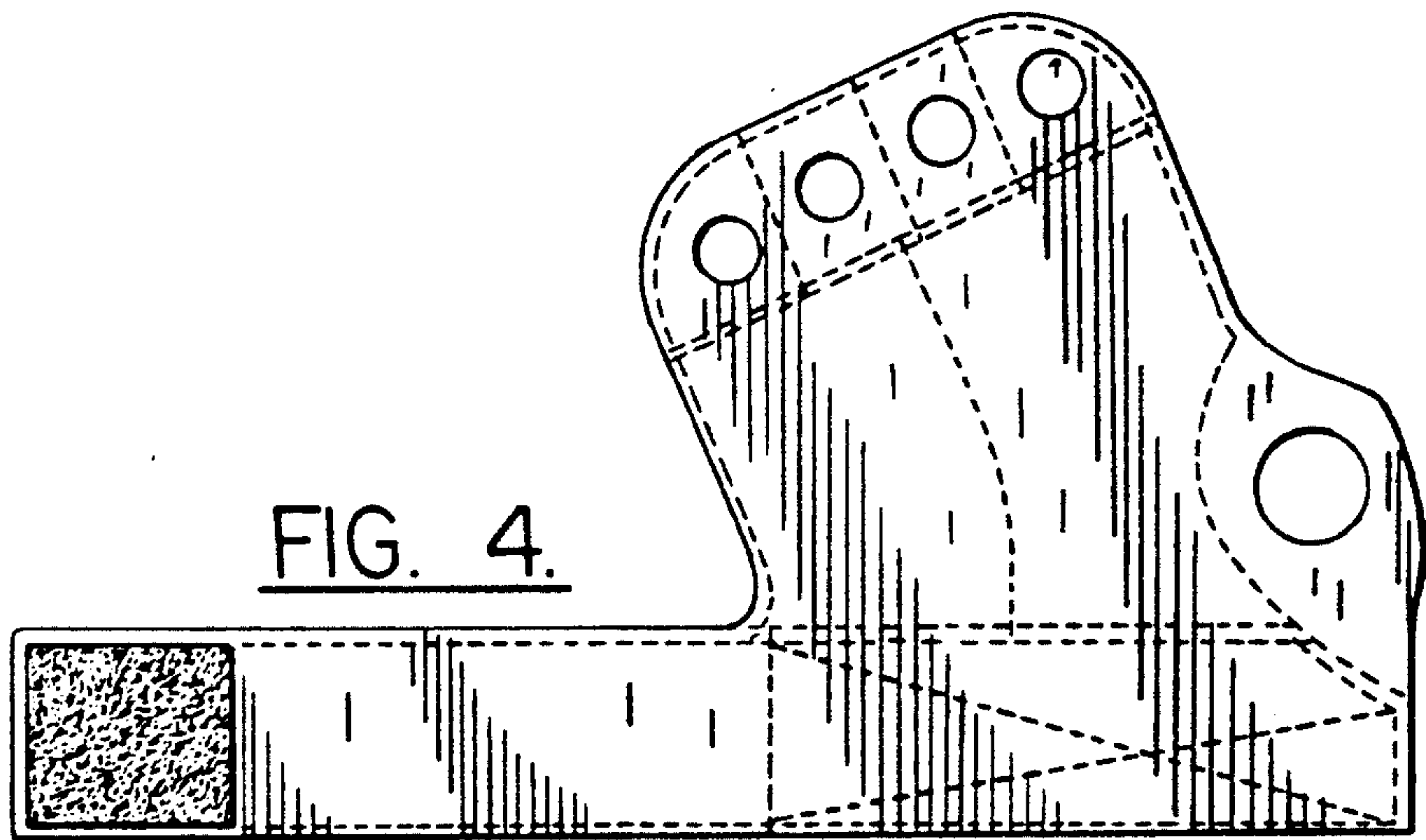
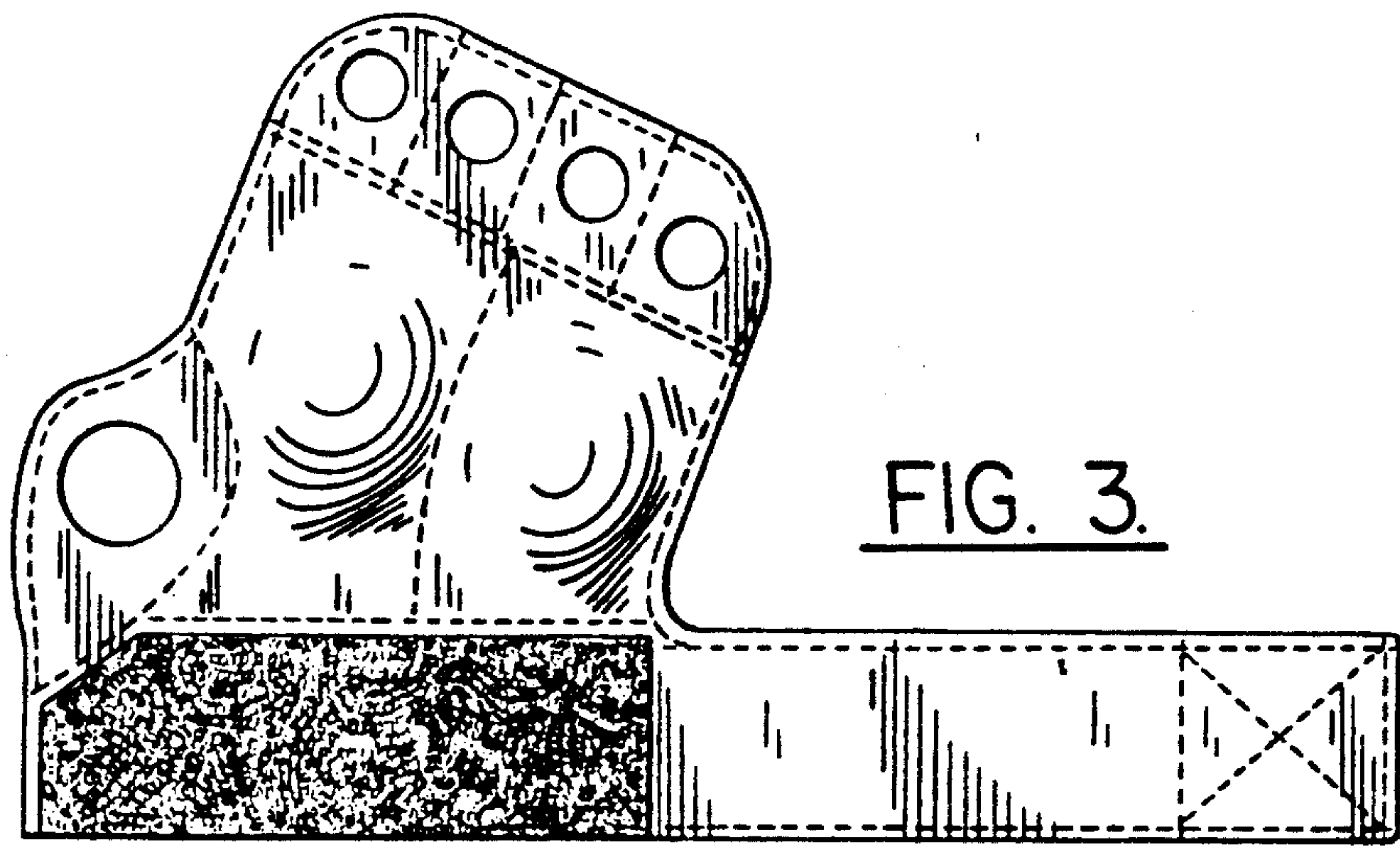


FIG. 5.



FIG. 6.



FIG. 7.



FIG. 8.