



US00D348087S

# United States Patent [19]

[11] Patent Number: Des. 348,087

D'Andrade

[45] Date of Patent: \*\* Jun. 21, 1994

## [54] WATER GUN DIRECTIONAL NOZZLE

[76] Inventor: Bruce M. D'Andrade, 3 Ten Eyck Rd., Whitehouse Sta., N.J. 08889

[\*\*] Term: 14 Years

[21] Appl. No.: 901,585

[22] Filed: Jun. 19, 1992

[52] U.S. Cl. .... D21/147

[58] Field of Search ..... 446/473, 475; 124/22, 124/64-65; 222/78-79; 239/526; D21/145-147; D22/103, 104-105; D23/223, 226

### [56] References Cited

#### U.S. PATENT DOCUMENTS

D. 314,609	2/1991	Liaw	.....	D23/226
D. 315,782	3/1991	Clivio	.....	D23/226
D. 335,620	4/1992	Heren	.....	D23/223
D. 338,697	8/1993	Salmon	.....	D21/147

## OTHER PUBLICATIONS

Kenner's Products Co. 1966 Catalog.

Primary Examiner—Bernard Ansher

Assistant Examiner—R. Barkai

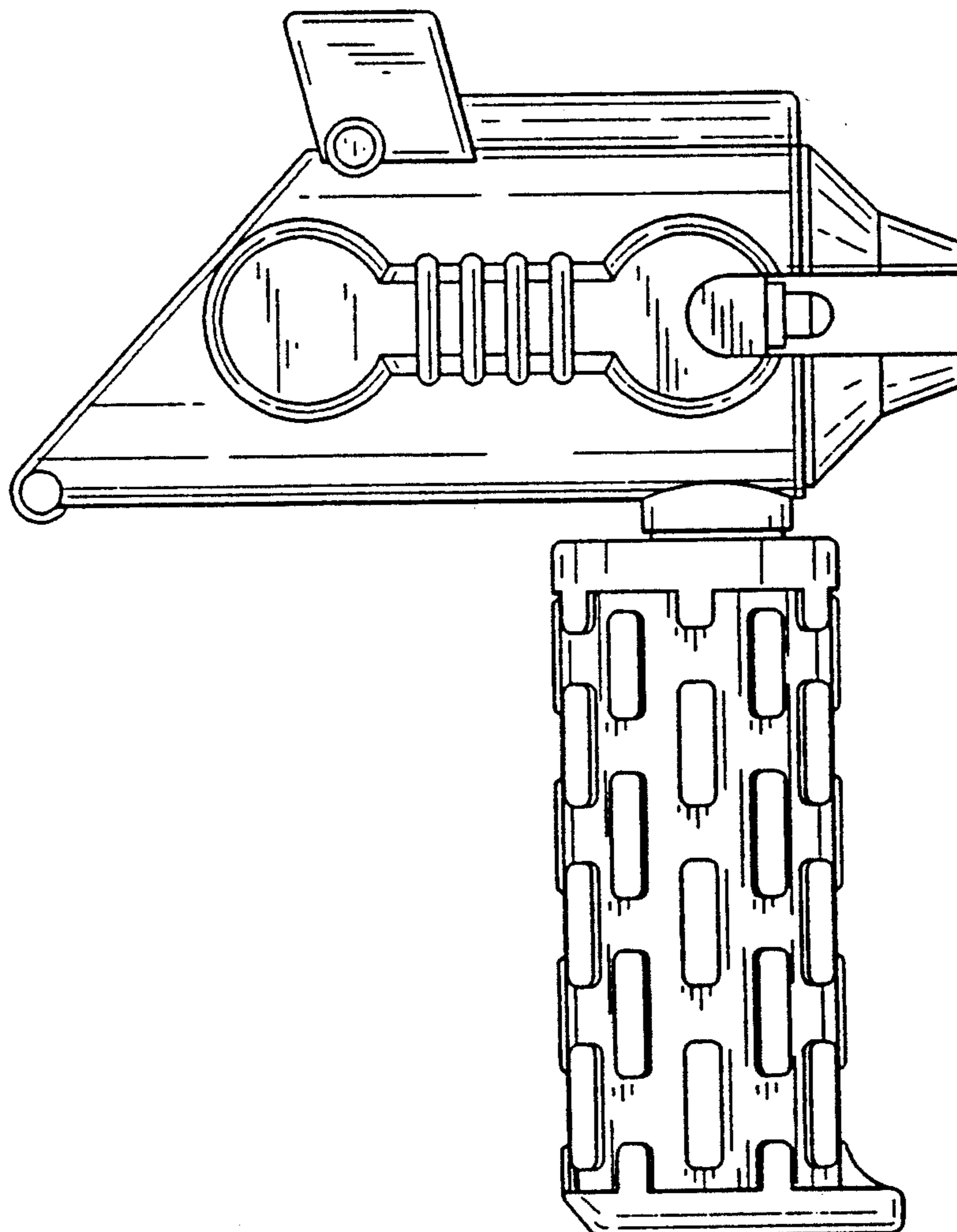
Attorney, Agent, or Firm—Kenneth P. Glynn

## [57] CLAIM

The ornamental design for a water gun directional nozzle, as shown and described.

## DESCRIPTION

FIG. 1 is a front elevational view of a water gun directional nozzle showing our new design; FIG. 2 is a rear elevational view thereof; FIG. 3 is a left side elevational view thereof with the right side elevational view being a mirror image thereof; FIG. 4 is a top plan view thereof; and, FIG. 5 is a bottom plan view thereof.



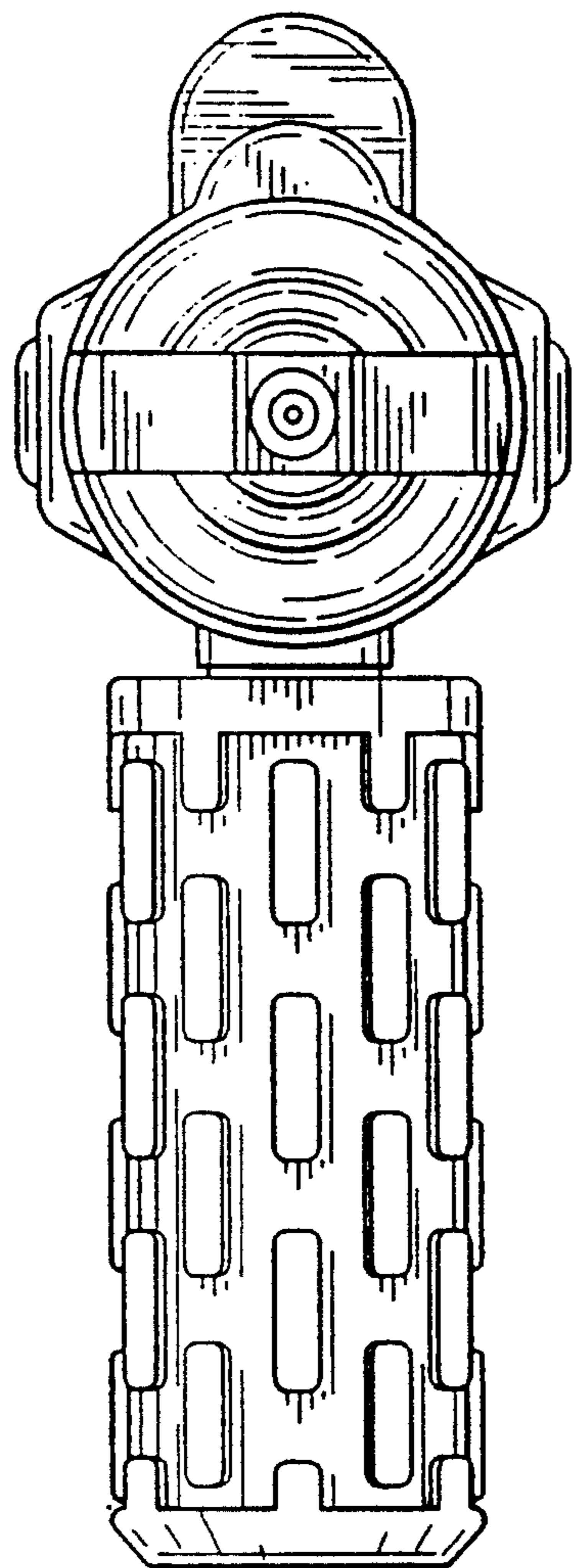


FIG. 1

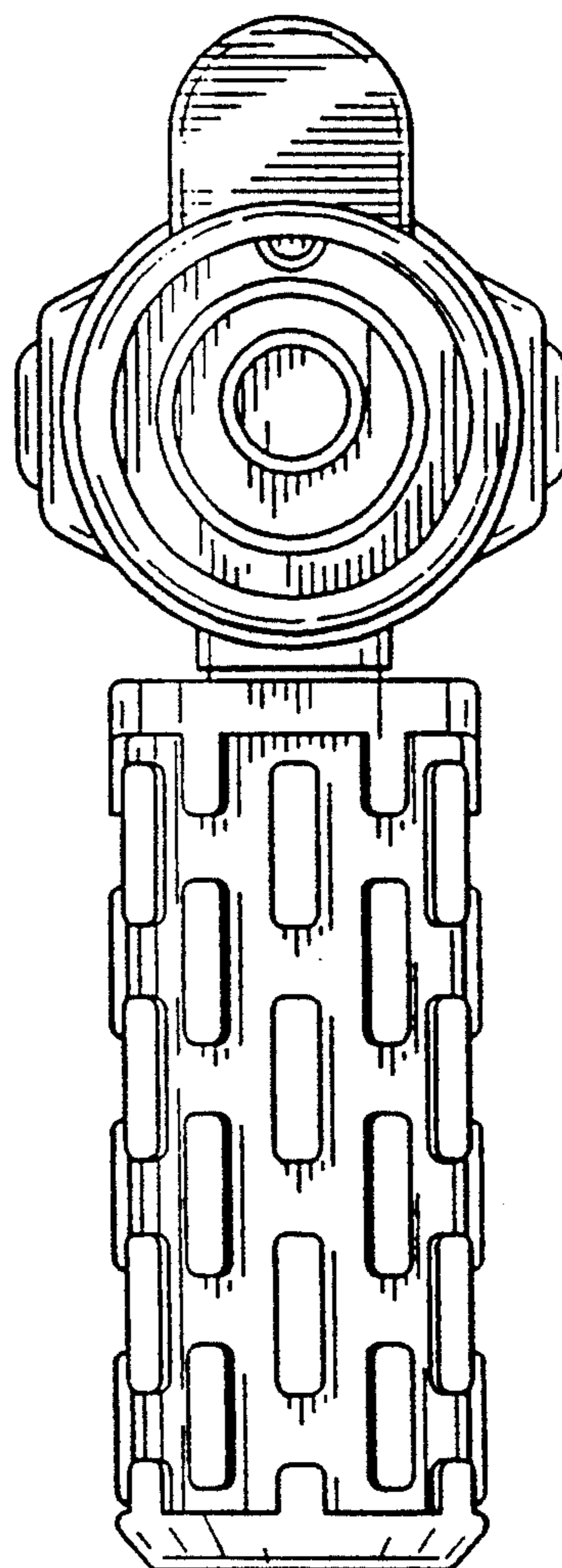


FIG. 2

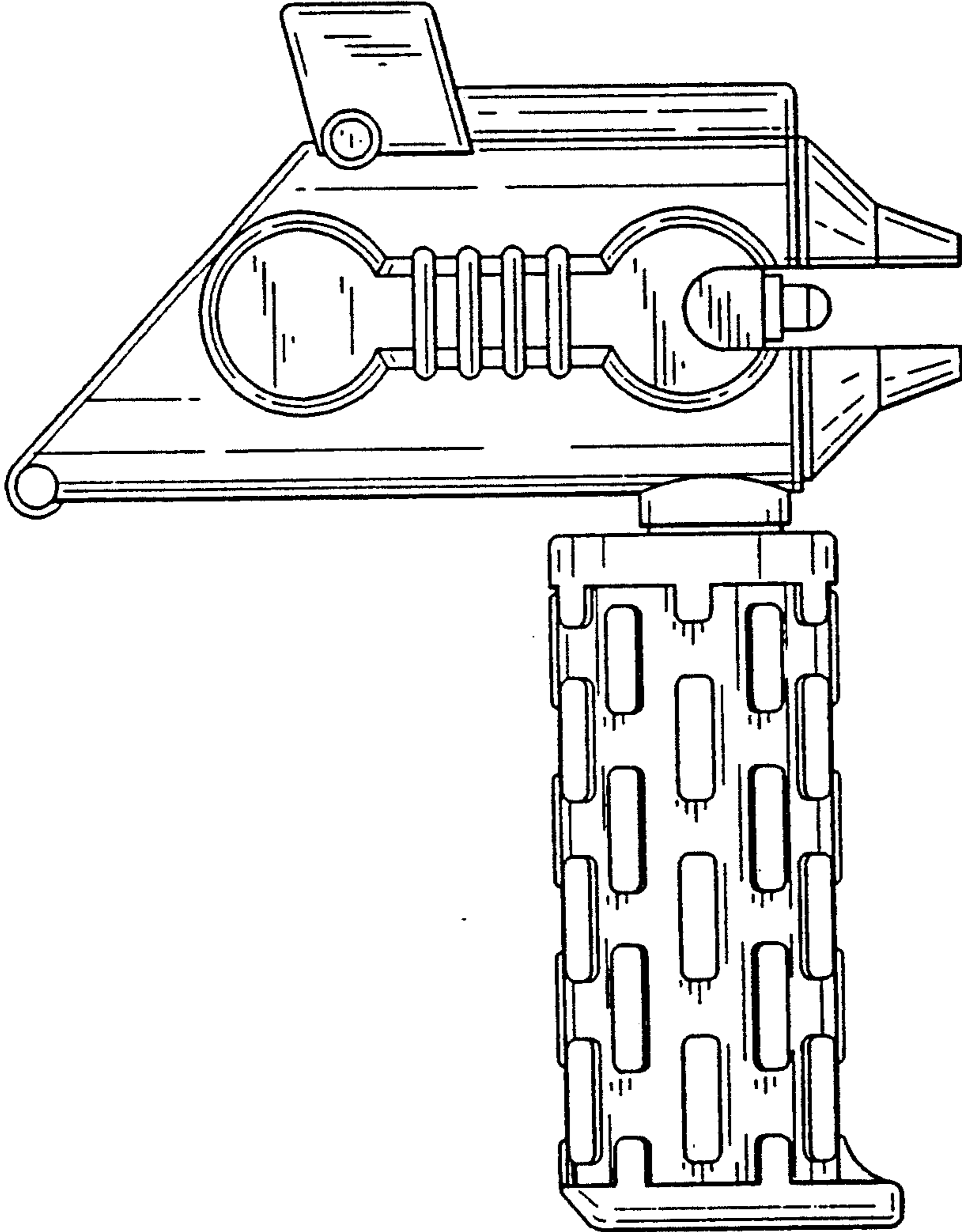


FIG. 3

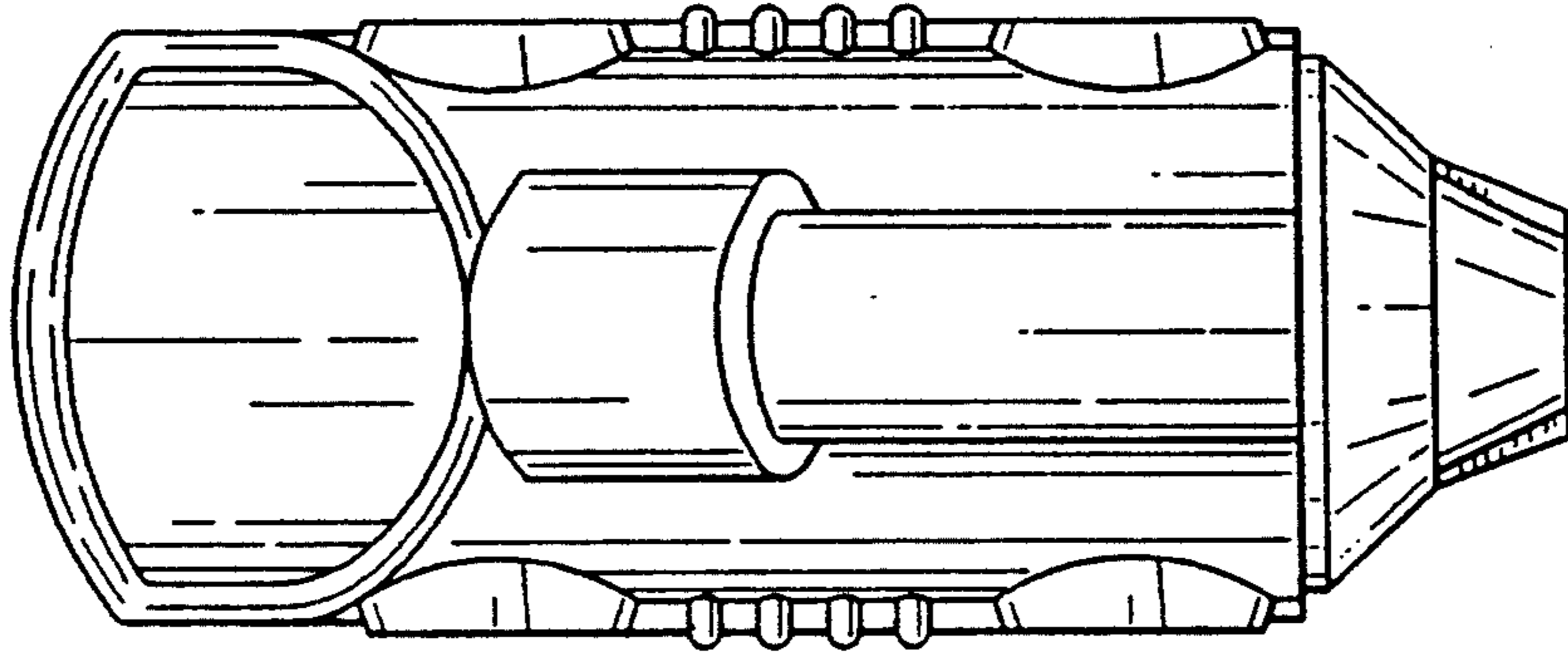


FIG. 4

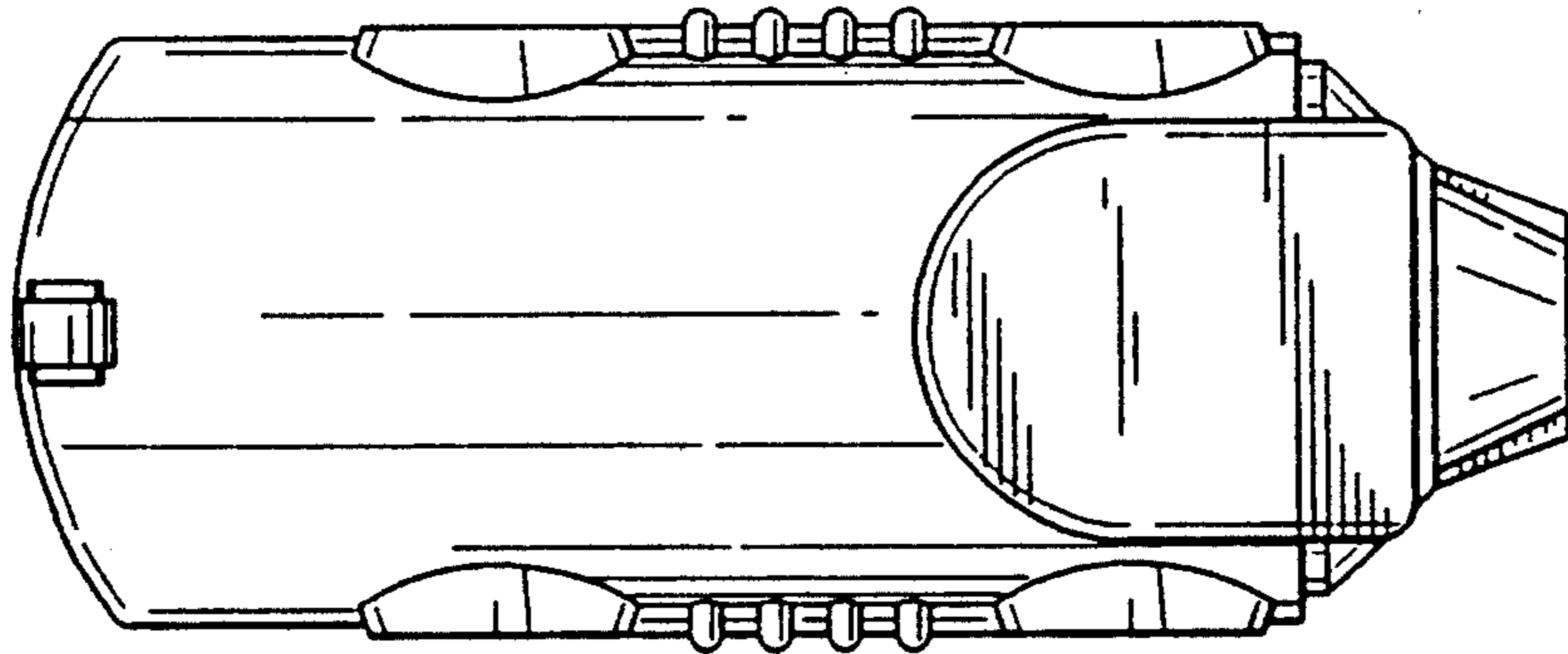


FIG. 5