



US00D348081S

# United States Patent [19]

[11] Patent Number: **Des. 348,081**

Cady

[45] Date of Patent: **\*\* Jun. 21, 1994**

[54] **ADJUSTABLE SUPPORT STAND FOR READING MATERIAL**

D. 325,745	4/1992	Mead	.....	D19/91 XR
D. 330,916	11/1992	Wolfe	.....	D19/91
3,790,770	2/1974	Stern	.....	248/445
3,905,573	9/1975	Davis	.....	248/445
4,243,335	1/1981	Singley	.....	40/341 XR
4,431,156	2/1984	Mena	.....	248/445

[76] Inventor: **Richard Cady**, 1052 Post Rd., Warwick, R.I. 02888

[\*\*] Term: **14 Years**

*Primary Examiner*—Nelson C. Holtje  
*Assistant Examiner*—Martie Thompson  
*Attorney, Agent, or Firm*—Terry M. Gernstein

[21] Appl. No.: **2,234**

[22] Filed: **Dec. 4, 1992**

[57] **CLAIM**

[52] U.S. Cl. .... **D19/91; D19/88; D6/431**

The ornamental design for an adjustable support stand for reading material, as shown and described.

[58] Field of Search ..... **D6/429-431; 40/341-349; 281/45; 211/45; 248/441.1, 442.2, 447.2, 445, 460, 461, 448-452; D19/35, 36, 52, 65, 75, 86, 88, 90, 91, 99, 100; D14/114**

**DESCRIPTION**

[56] **References Cited**

FIG. 1 is a front, top and side perspective view of the adjustable support stand for reading material showing my new design;

**U.S. PATENT DOCUMENTS**

FIG. 2 is a front elevational view thereof;

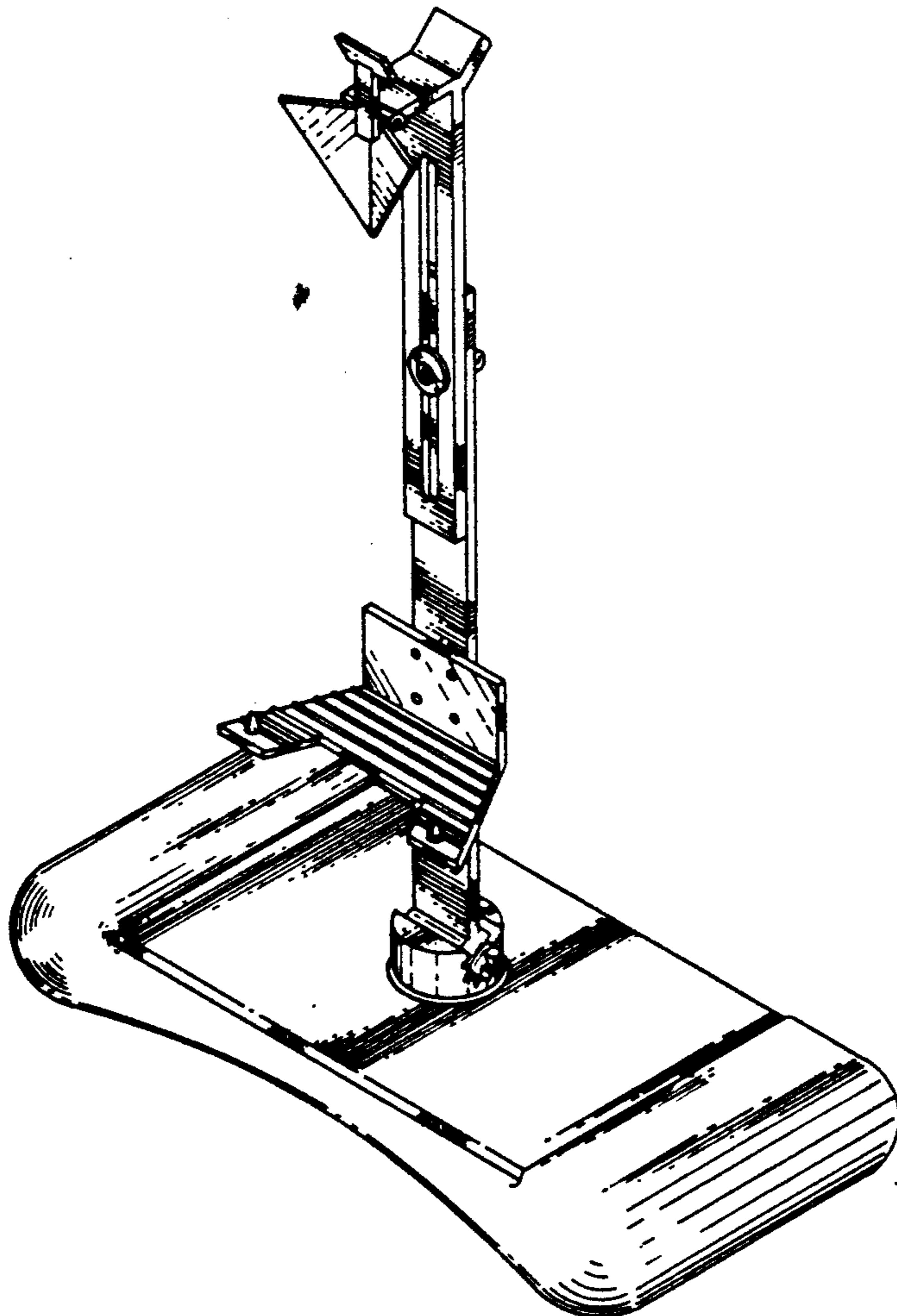
D. 199,828	12/1964	Regan	.....	D19/88
D. 241,191	8/1976	Schwartz	.....	D6/429
D. 252,578	8/1979	Charowhas	.....	D19/86
D. 320,045	9/1991	Mead	.....	D19/88

FIG. 3 is a rear elevational view thereof;

FIG. 4 is a side elevational view thereof, the side opposite being a mirror image of the side shown in FIG. 4;

FIG. 5 is a top plan view thereof; and,

FIG. 6 is a bottom plan view thereof.



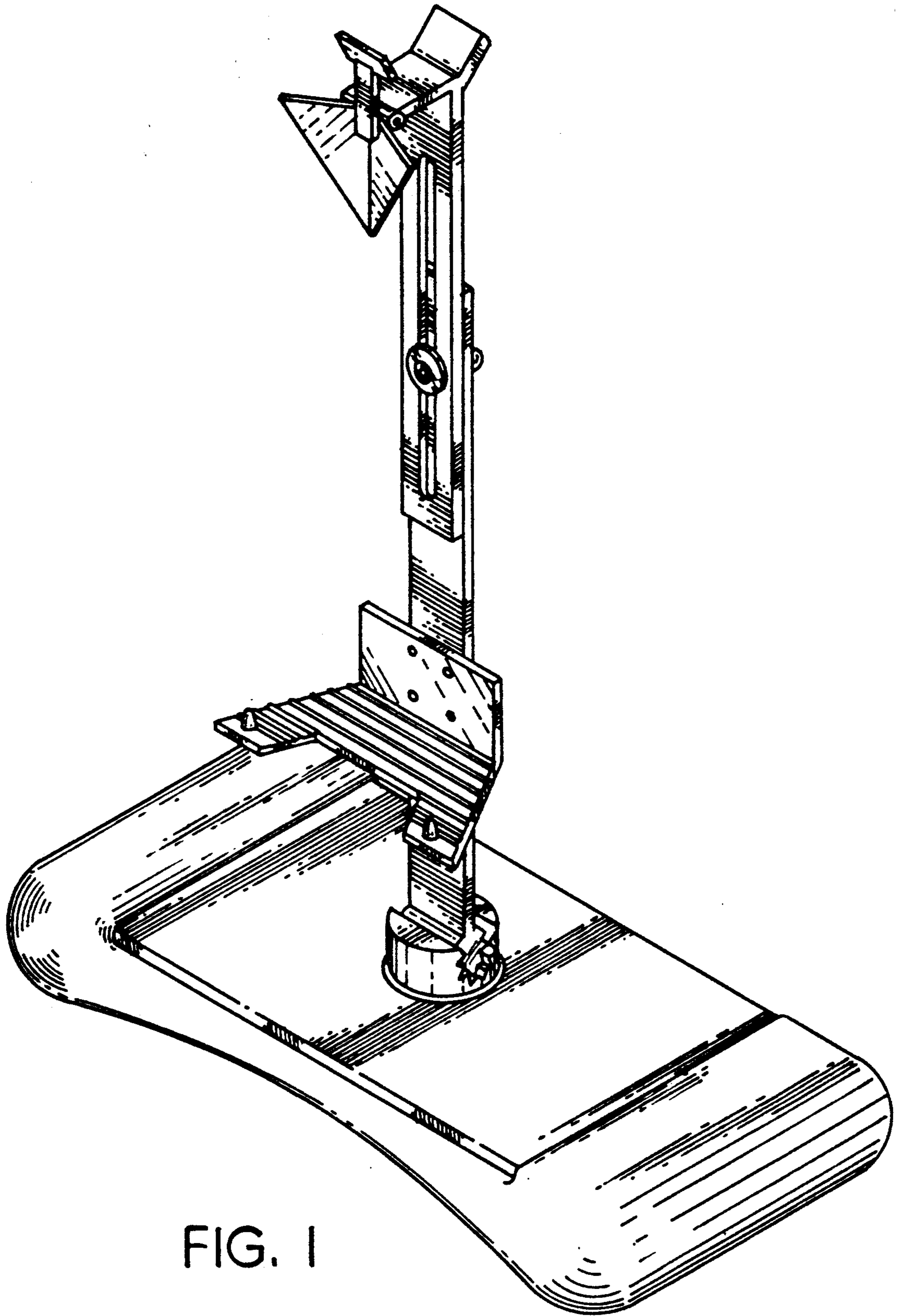


FIG. 1

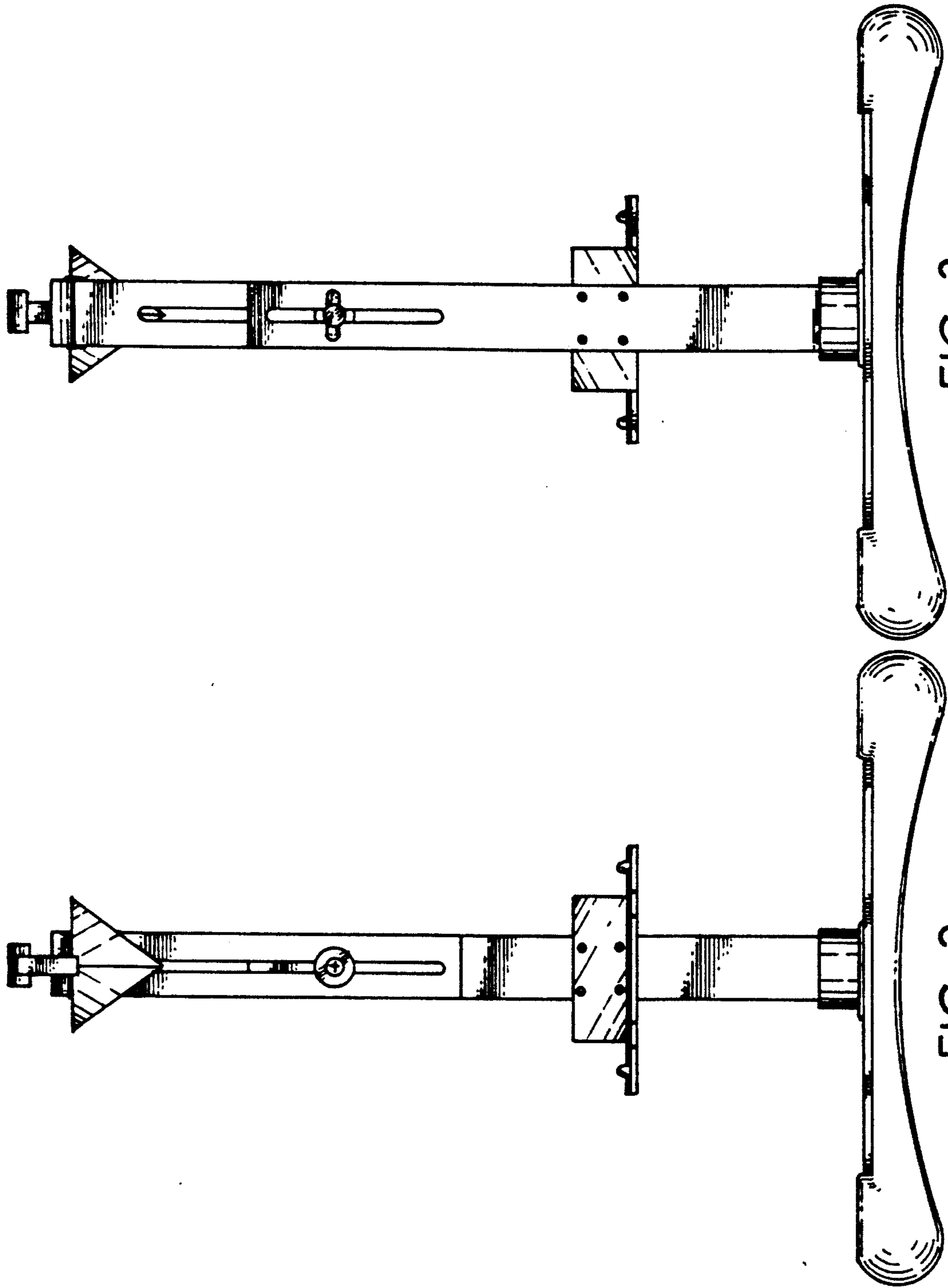


FIG. 3

FIG. 2

FIG. 5

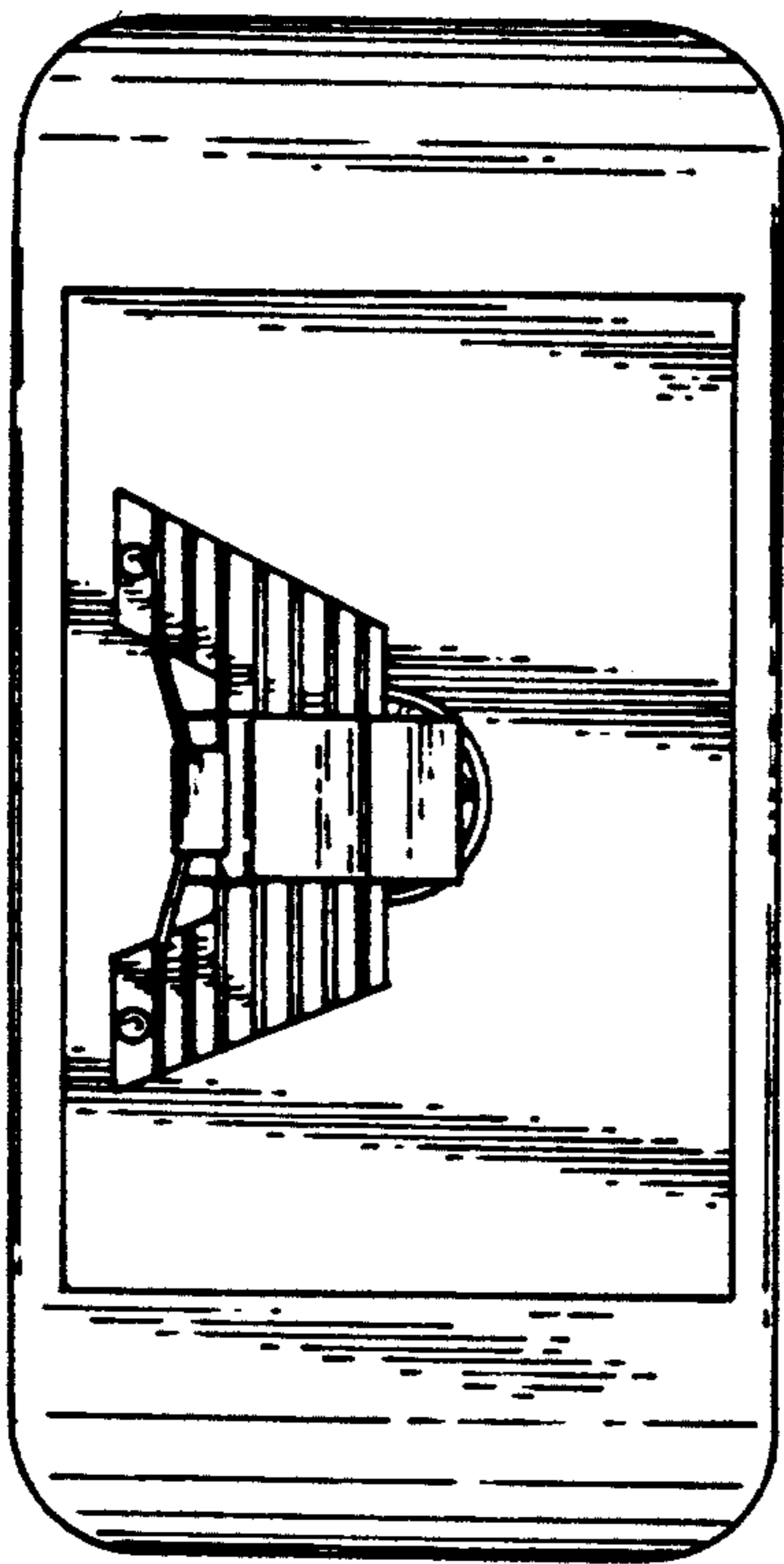


FIG. 6

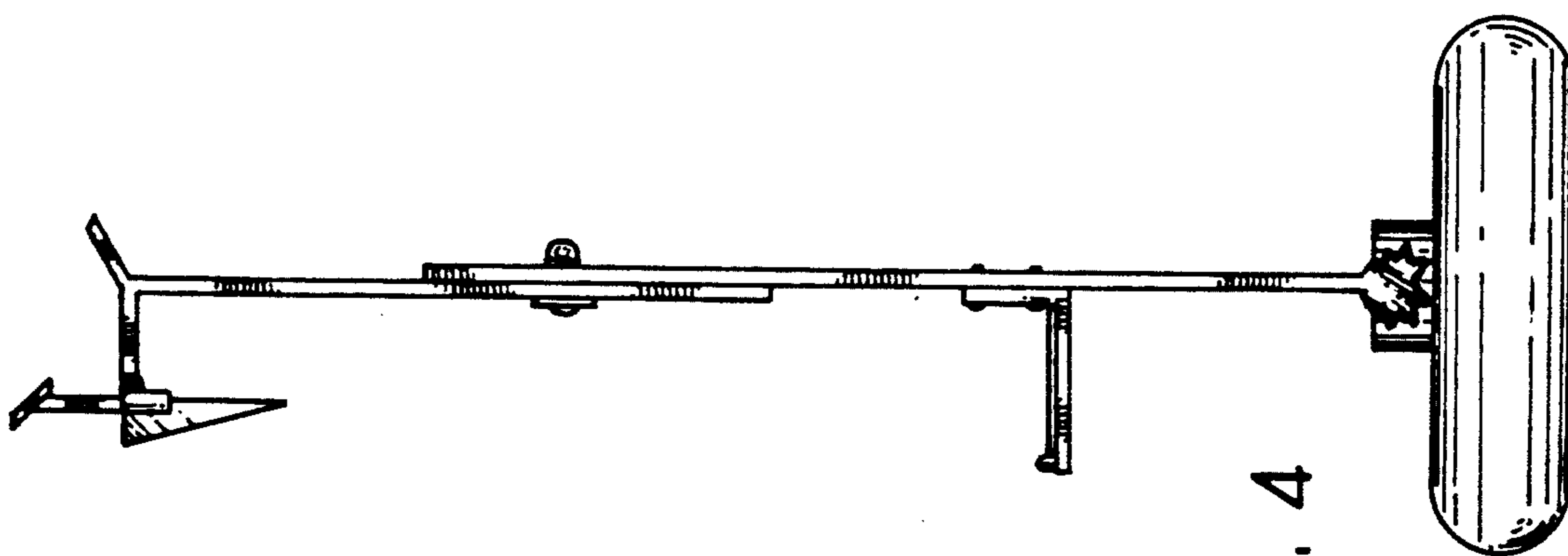
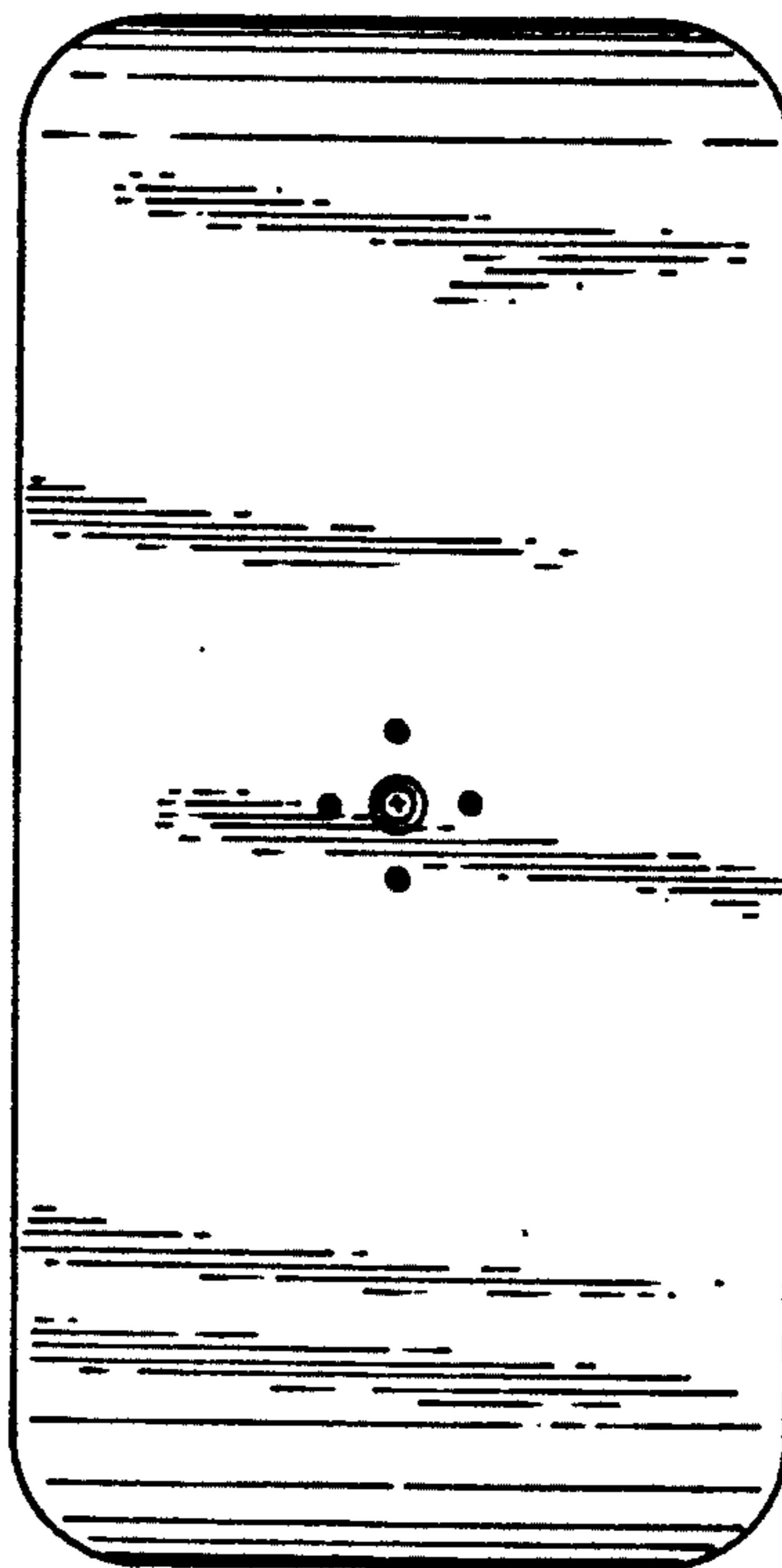


FIG. 4