



US00D348080S

# United States Patent [19]

[11] Patent Number: **Des. 348,080**

**Popovits**

[45] Date of Patent: **\*\* Jun. 21, 1994**

[54] **CRAYON HOLDER**

[76] Inventor: **Frank J. Popovits**, 11707 S. Carolyn La., Alsip, Ill. 60658

[\*\*] Term: **14 Years**

[21] Appl. No.: **2,506**

[22] Filed: **Dec. 11, 1992**

[52] U.S. Cl. .... **D19/82; D19/77; D19/85**

[58] Field of Search ..... **206/214, 224, 371; 211/69, 69.1-69.9; D19/35, 36, 42, 75, 77, 78, 81-85**

1,747,486	3/1927	Ridgway .	
1,784,952	12/1930	Wolfson .	
2,446,896	8/1948	Wellman .	
2,637,299	5/1953	Salkey .	
3,249,092	5/1966	Moojen et al. .	
4,030,599	6/1977	Bruni .	
4,136,773	1/1979	Booth .	
4,155,446	5/1979	Aronson .	
4,468,146	8/1984	Tabachnik .	
4,519,498	5/1985	Booth .	
4,573,571	3/1986	Leem .	
5,002,180	3/1991	Franz .	
5,002,182	3/1991	McGinnis .	
5,009,336	4/1991	Liaw .	
5,025,934	6/1991	Vogel .....	211/69.5
5,069,361	12/1991	Jeffway et al. .	

[56] **References Cited**

**U.S. PATENT DOCUMENTS**

D. 59,130	9/1991	Samstag .	
D. 154,677	8/1949	Hawkins .	
D. 157,239	2/1950	Crawford .....	D19/85
D. 160,161	9/1950	Gass .....	D19/85 X
D. 160,892	11/1950	Roop .....	D19/85 X
D. 169,077	3/1953	Mains .	
D. 262,121	12/1981	Brady .....	D19/82
D. 276,537	11/1984	Tabachnik .	
D. 290,851	7/1987	Yoshida .	
D. 290,852	7/1987	Wang .	
D. 290,853	7/1987	Livingston .	
D. 290,854	7/1987	Livingston .	
D. 298,264	10/1988	Wang .	
D. 298,341	11/1988	Warwicker .....	D19/75
D. 320,412	10/1991	Cornell .	
D. 320,413	10/1991	Dietterich .	
D. 325,933	5/1992	Torgison .	
D. 325,984	5/1992	Ramljak .	
648,928	5/1900	Davis .	
1,092,156	4/1914	Mathis .	
1,296,158	1/1918	Bonham .	
1,463,805	8/1923	Faber .	

**OTHER PUBLICATIONS**

Ellen Neuborne, "Crayola Keeps Growing," U.S.A. Today, Oct. 2, 1992, at 1B-2B.

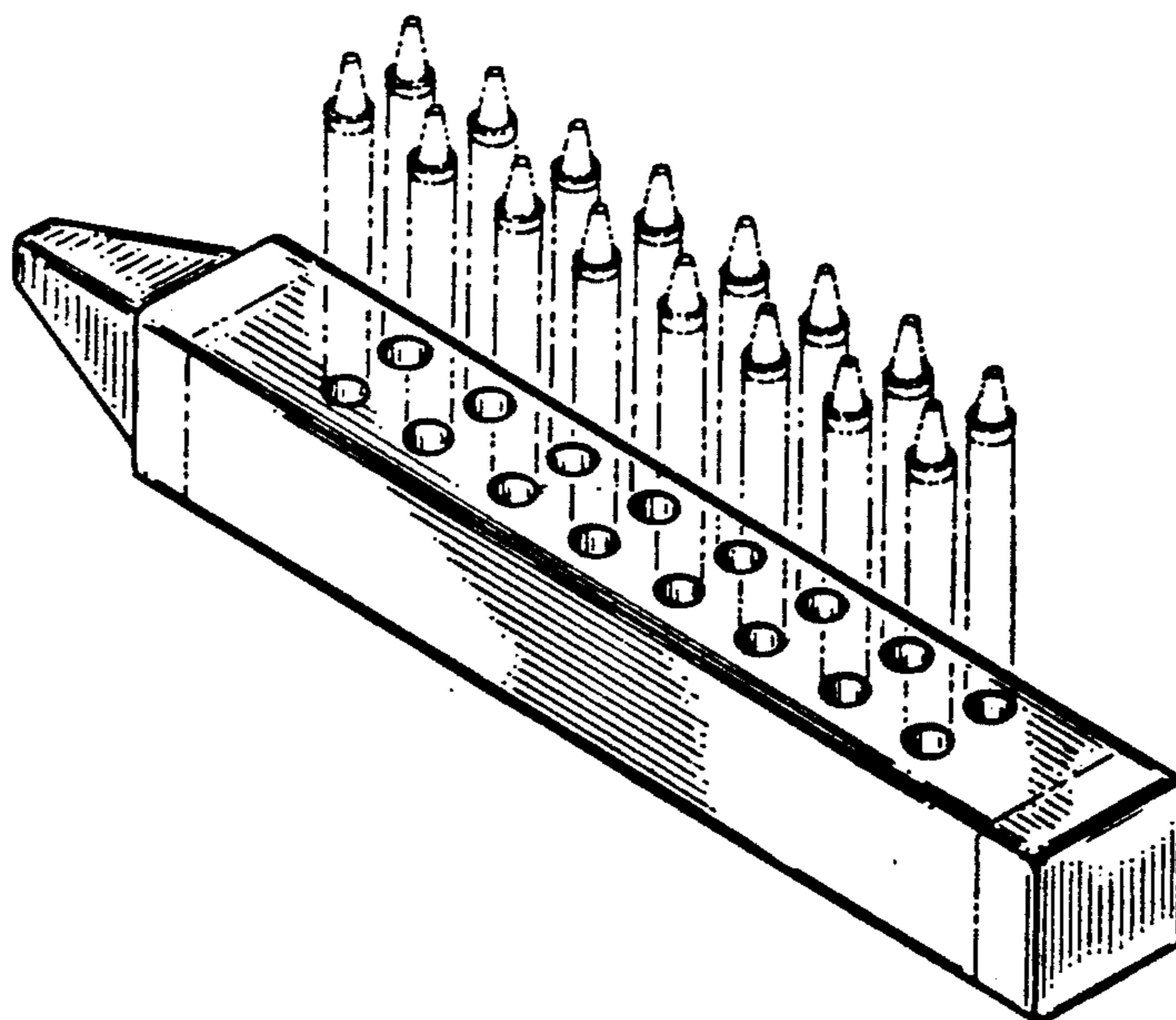
*Primary Examiner*—Nelson C. Holtje  
*Assistant Examiner*—Martie Thompson  
*Attorney, Agent, or Firm*—Allegretti & Witcoff, Ltd.

[57] **CLAIM**

The ornamental design for a crayon holder, as shown and described.

**DESCRIPTION**

FIG. 1 is a perspective view of a crayon holder showing my new design;  
FIG. 2 is a side elevation view thereof;  
FIG. 3 is a top plan elevation view thereof;  
FIG. 4 is a bottom view thereof;  
FIG. 5 is a front view thereof; and,  
FIG. 6 is an end view thereof.  
The broken lines showing the crayons, as placed in my crayon holder, are for illustrative purposes only and form no part of the design claimed.



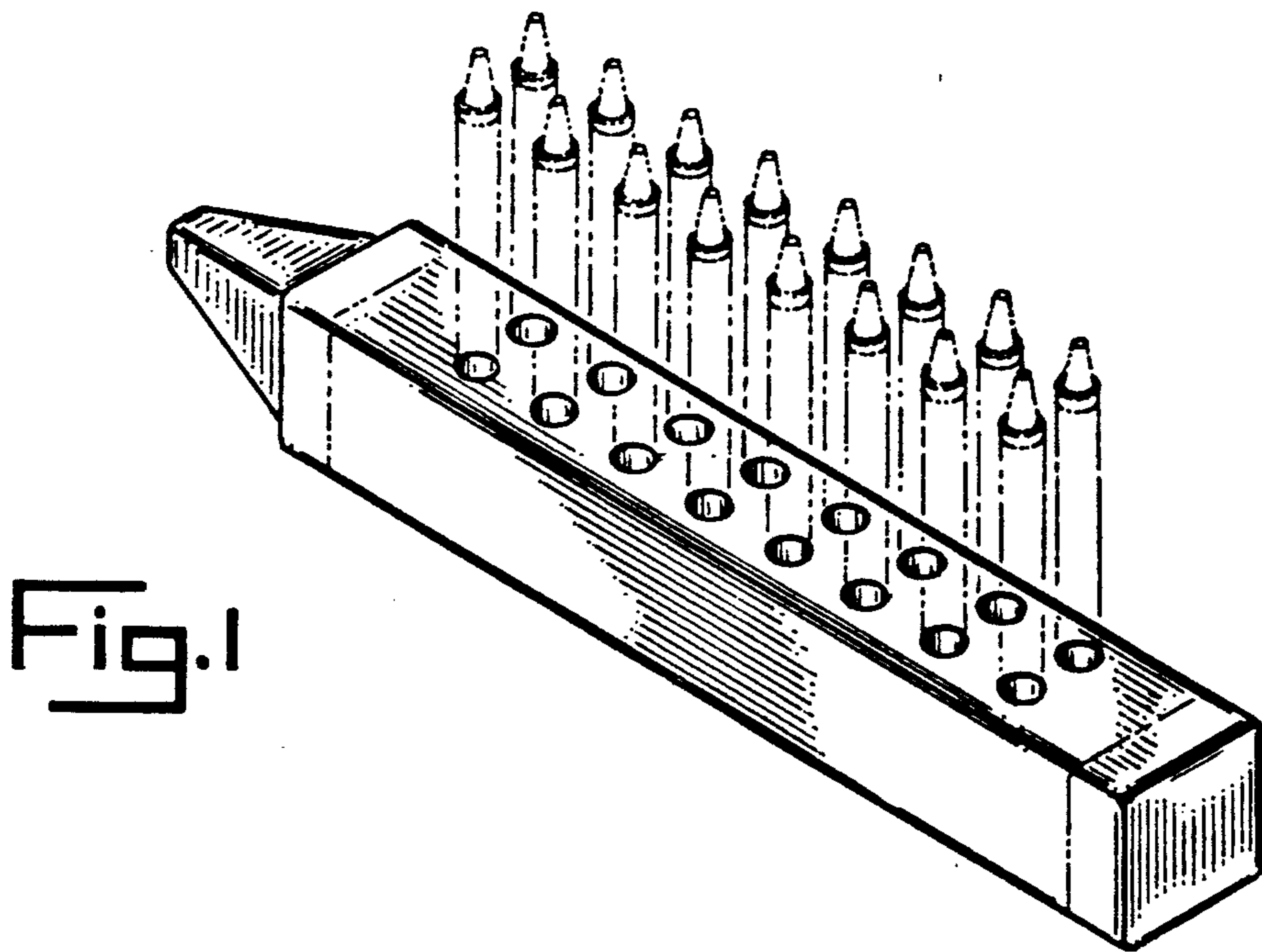


Fig. 1

Fig. 2

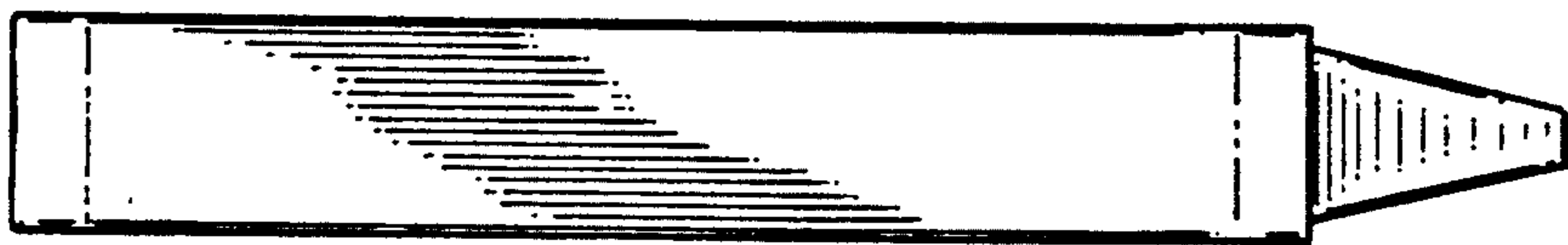


Fig. 3

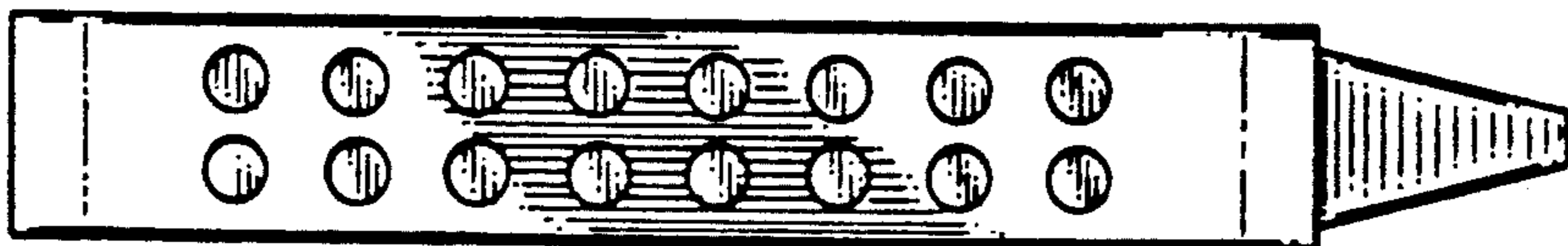


Fig. 4

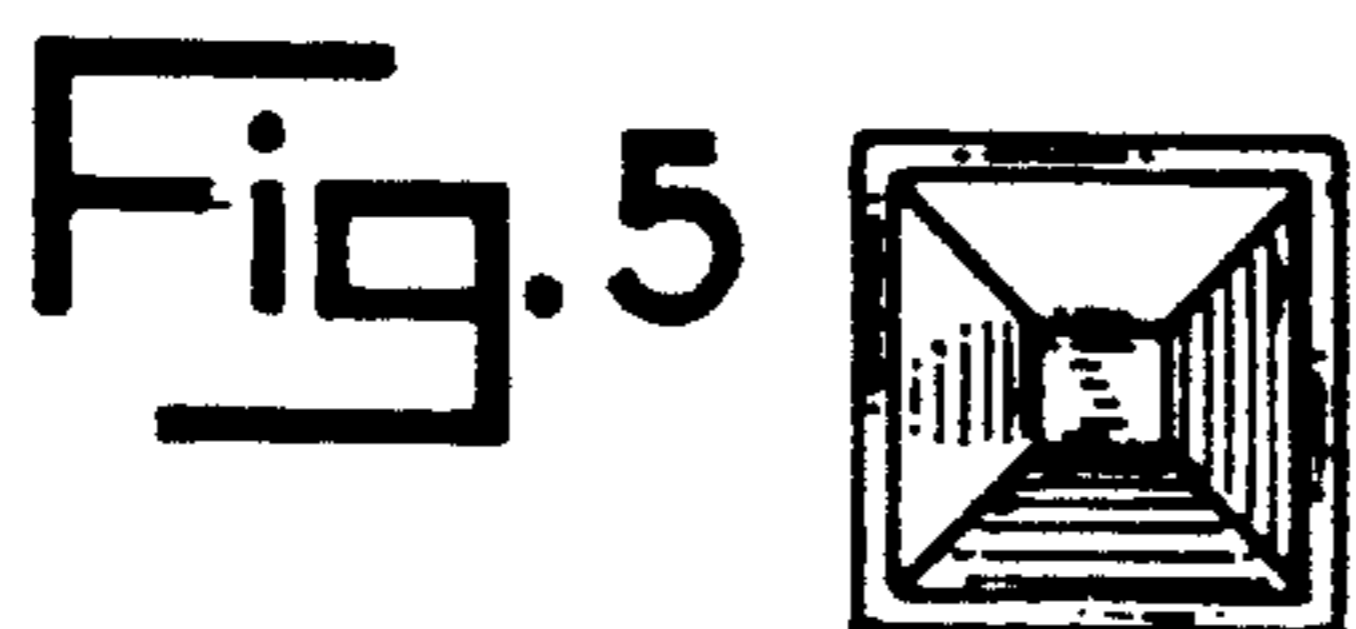
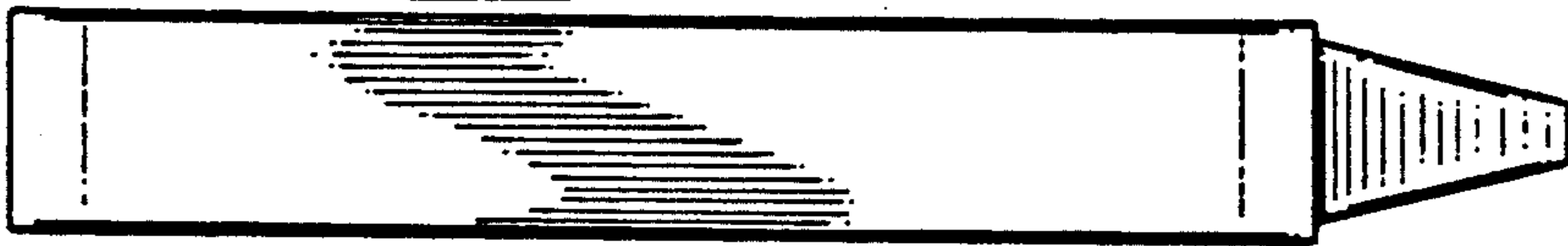


Fig. 5



Fig. 6