



US00D348075S

United States Patent [19]

[11] Patent Number: **Des. 348,075**

Meyer

[45] Date of Patent: **** Jun. 21, 1994**

[54] **GATE OPERATOR**

D. 292,792 11/1987 Henry D15/199
D. 326,083 5/1992 Miyamoto et al. D13/112
4,819,708 4/1989 Onosato et al. 160/331

[75] Inventor: **Walter R. Meyer, Houston, Tex.**

[73] Assignee: **Metropolitan Supply Inc., Houston, Tex.**

Primary Examiner—Brian N. Vinson
Attorney, Agent, or Firm—M. H. Gay

[**] Term: **14 Years**

[57] **CLAIM**

[21] Appl. No.: **15,398**

The ornamental design for a gate operator, as shown and described.

[22] Filed: **Nov. 15, 1993**

DESCRIPTION

Related U.S. Application Data

[63] Continuation of Ser. No. 814,479, Dec. 30, 1991, abandoned.

[52] U.S. Cl. **D15/199**

[58] Field of Search 49/24, 507, 501;
160/330-331; D13/112; D15/199

FIG. 1 is a top, front, and right side perspective view of a gate operator showing my new design;
FIG. 2 is a top, rear; and left side perspective view thereof;
FIG. 3 is a top plan view thereof;
FIG. 4 is a front elevational view thereof;
FIG. 5 is a fragmentary vertical cross-sectional view thereof, taken along line 5—5 of FIG. 6;
FIG. 6 is a right side elevational view thereof; and,
FIG. 7 is a left side elevational view thereof.

[56] **References Cited**

U.S. PATENT DOCUMENTS

D. 221,226 7/1971 Dercoli D15/199
D. 261,270 10/1981 Jeffrey D15/199

The chain element is shown broken-away in the views to indicate indeterminate length.

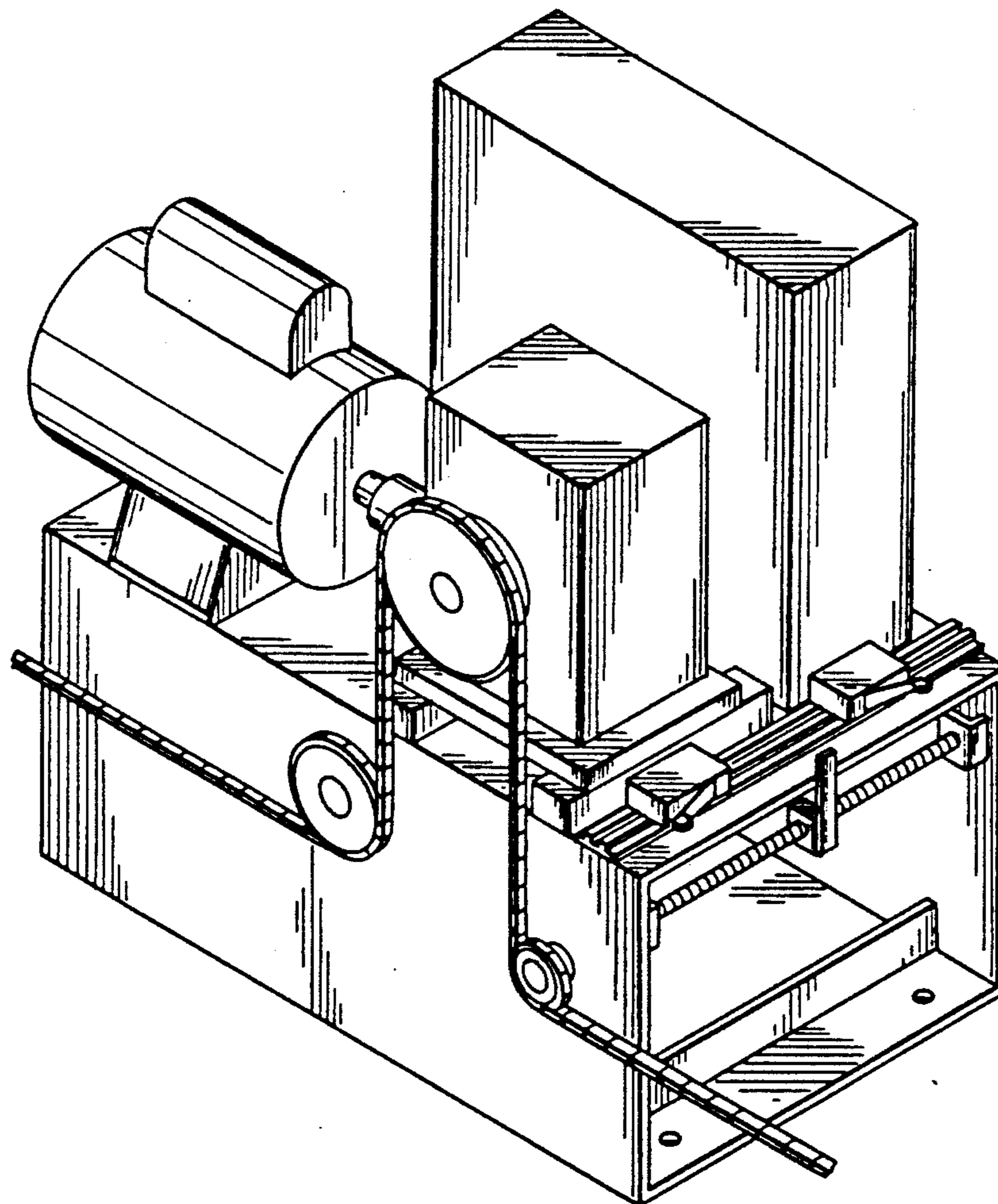


FIG. 2

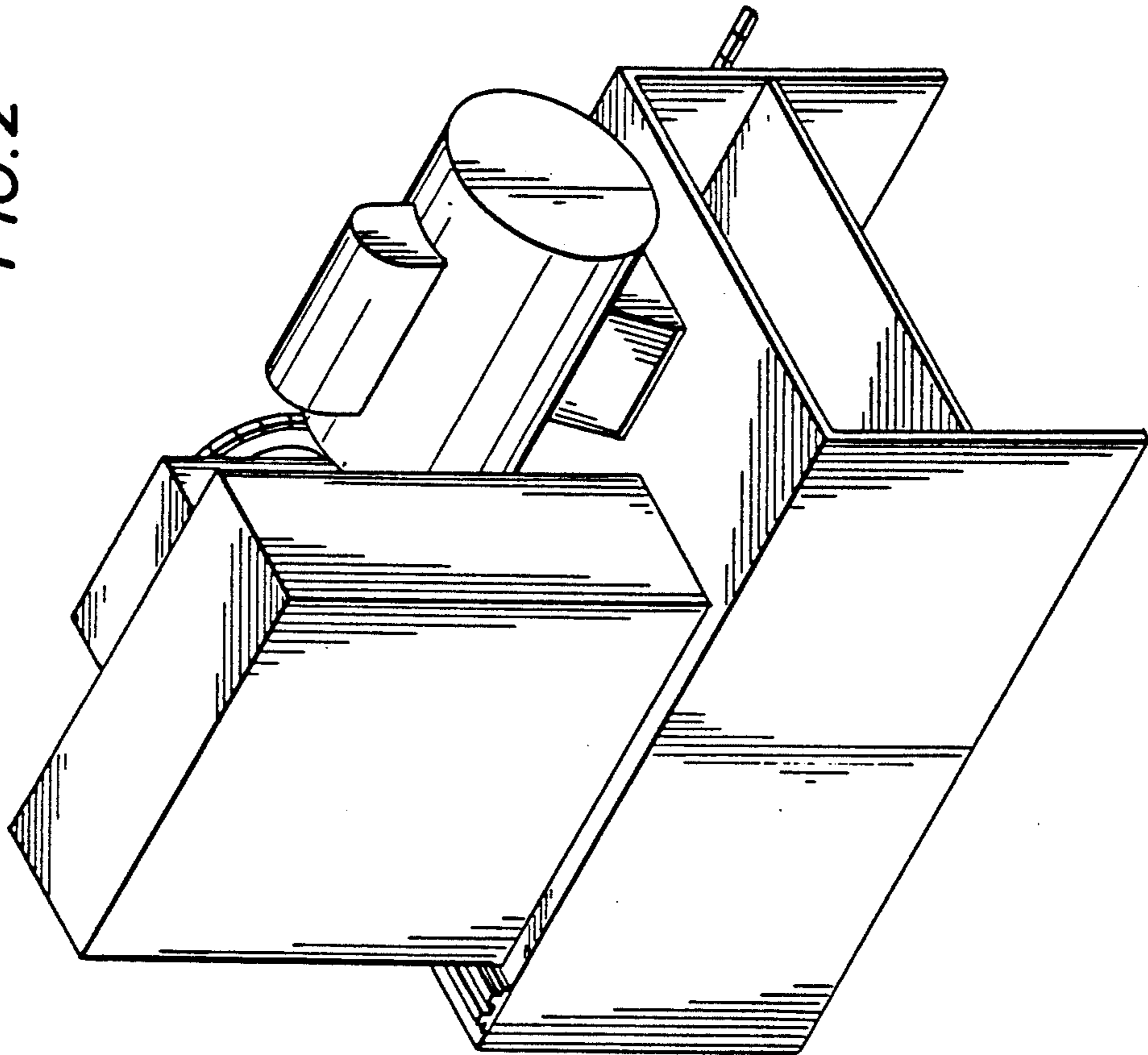
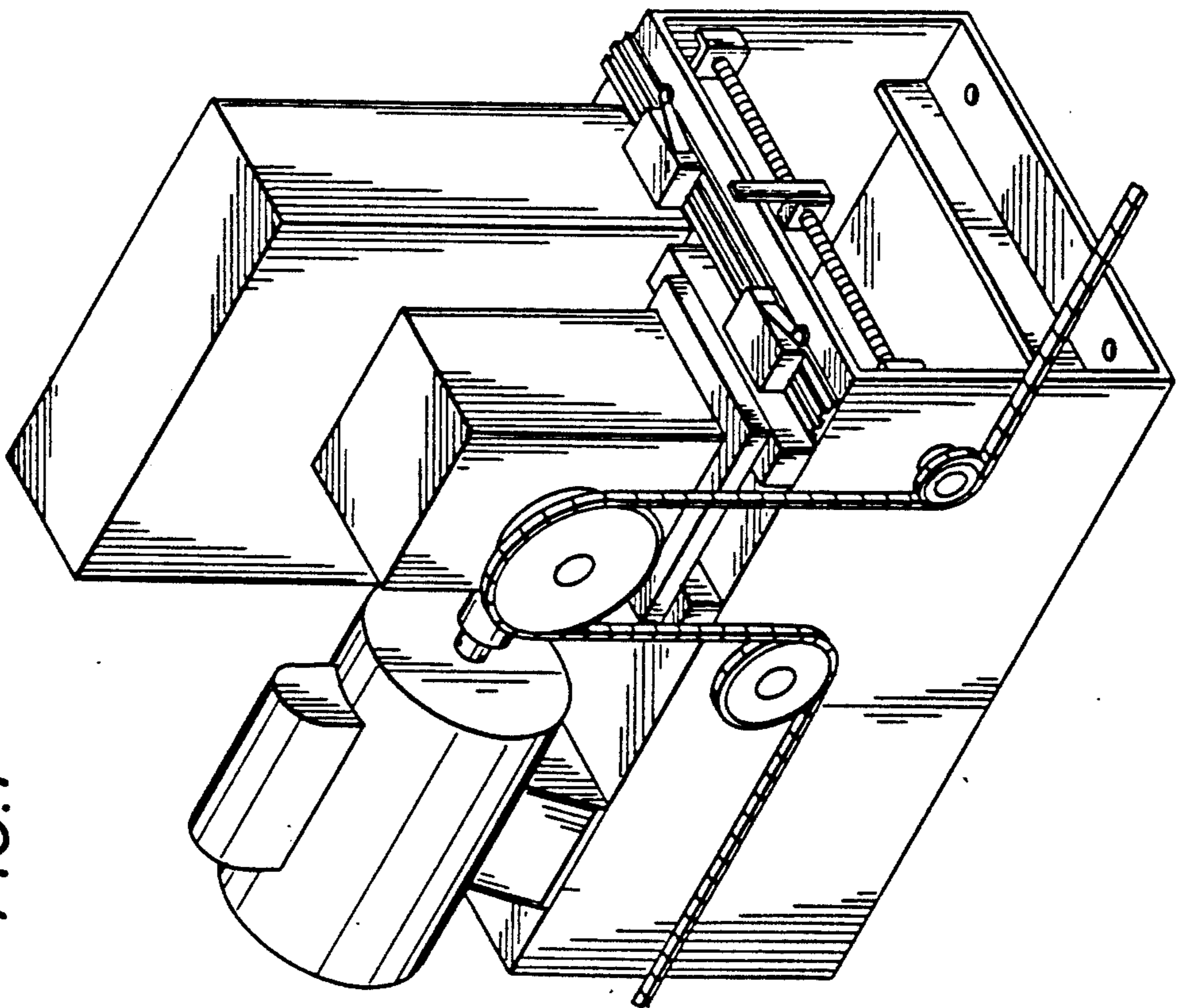


FIG. 1



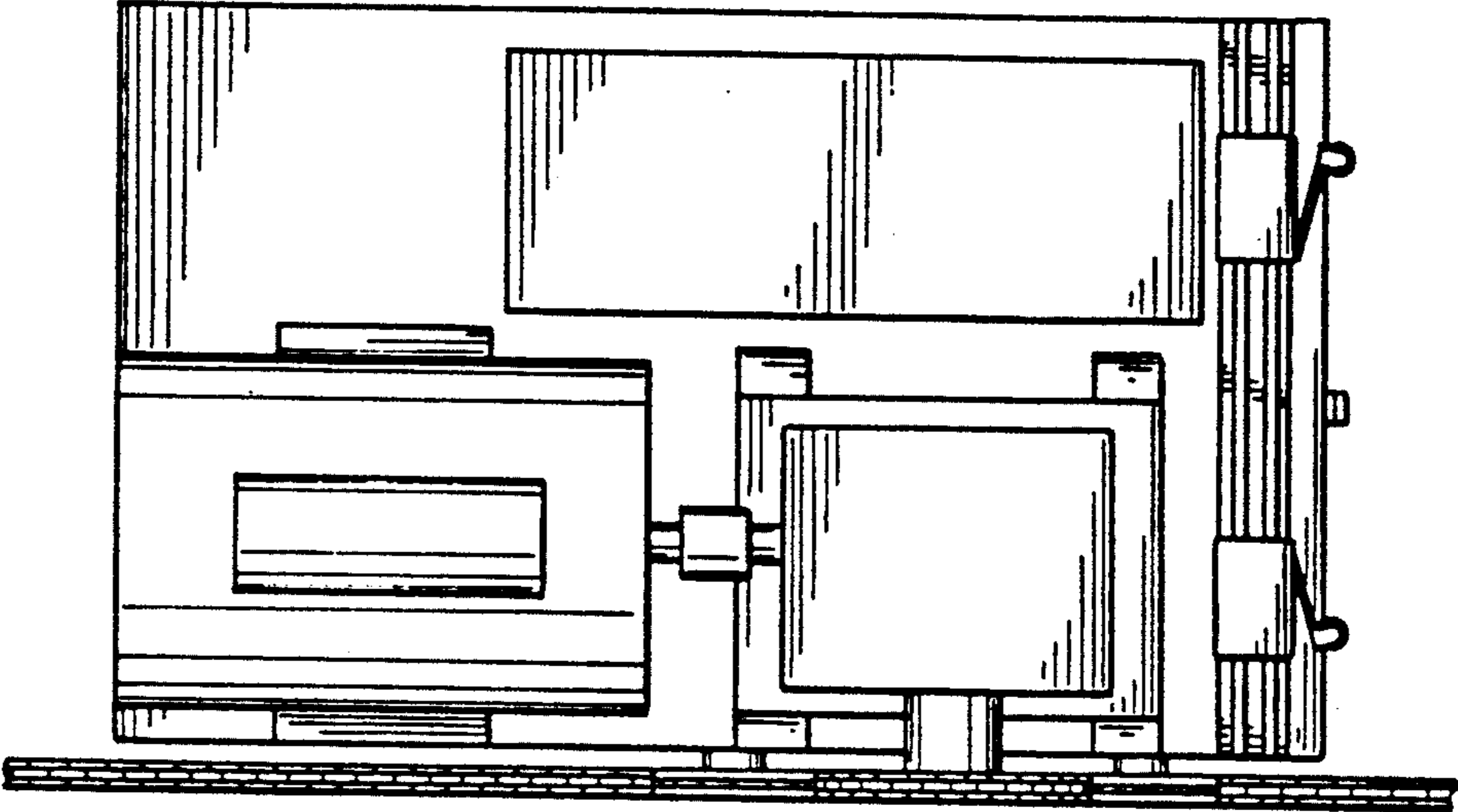


FIG. 4

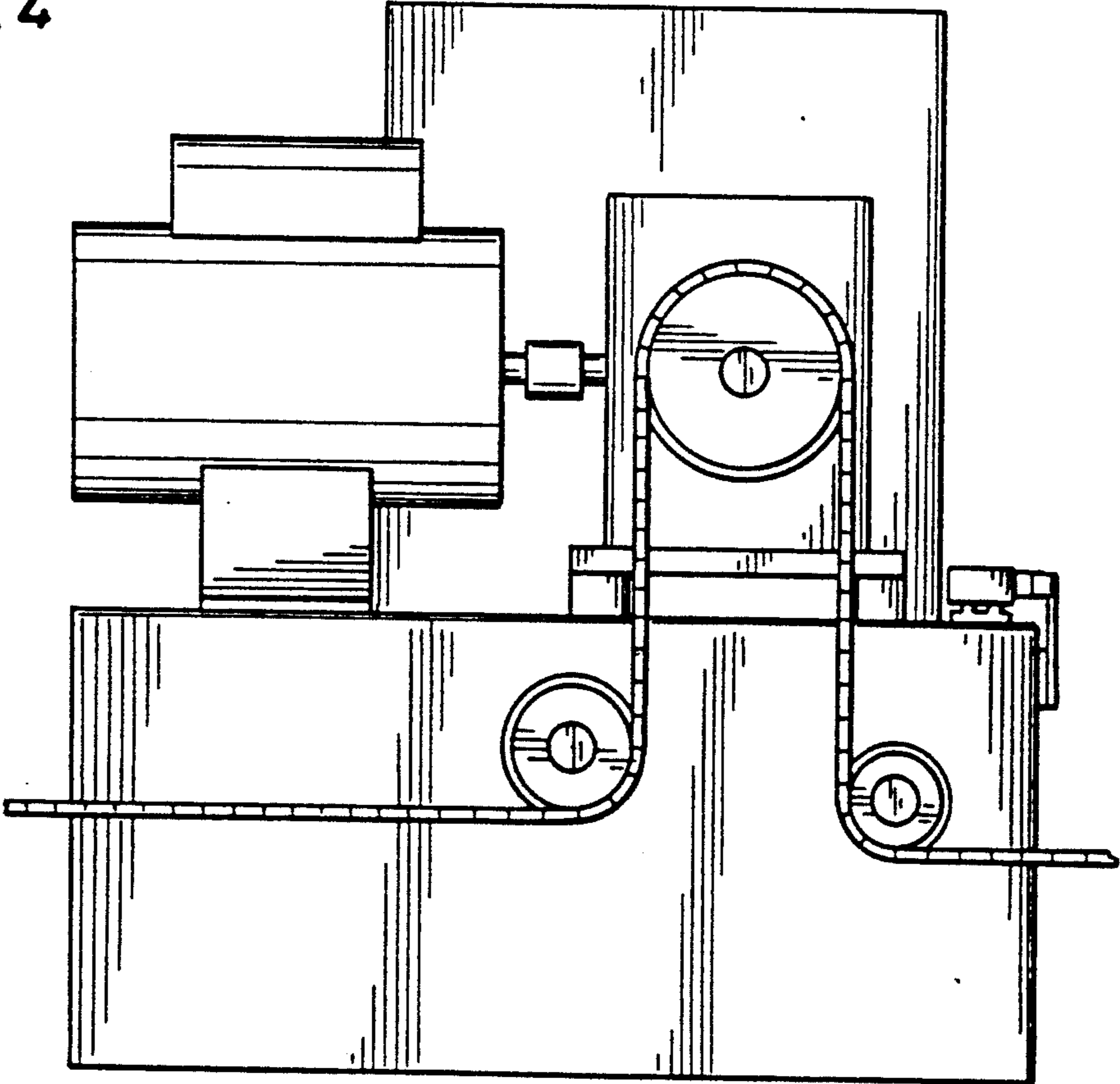
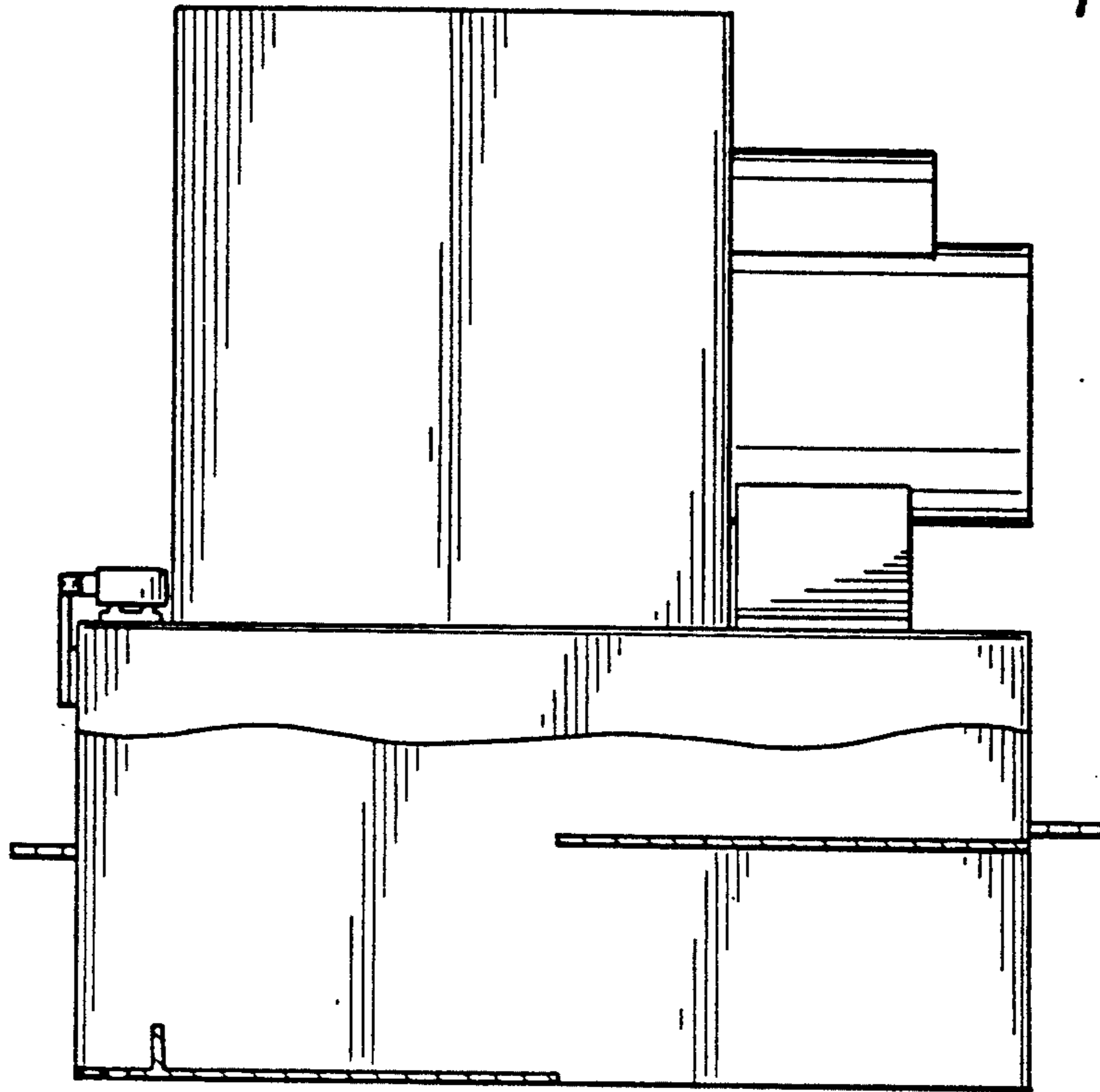
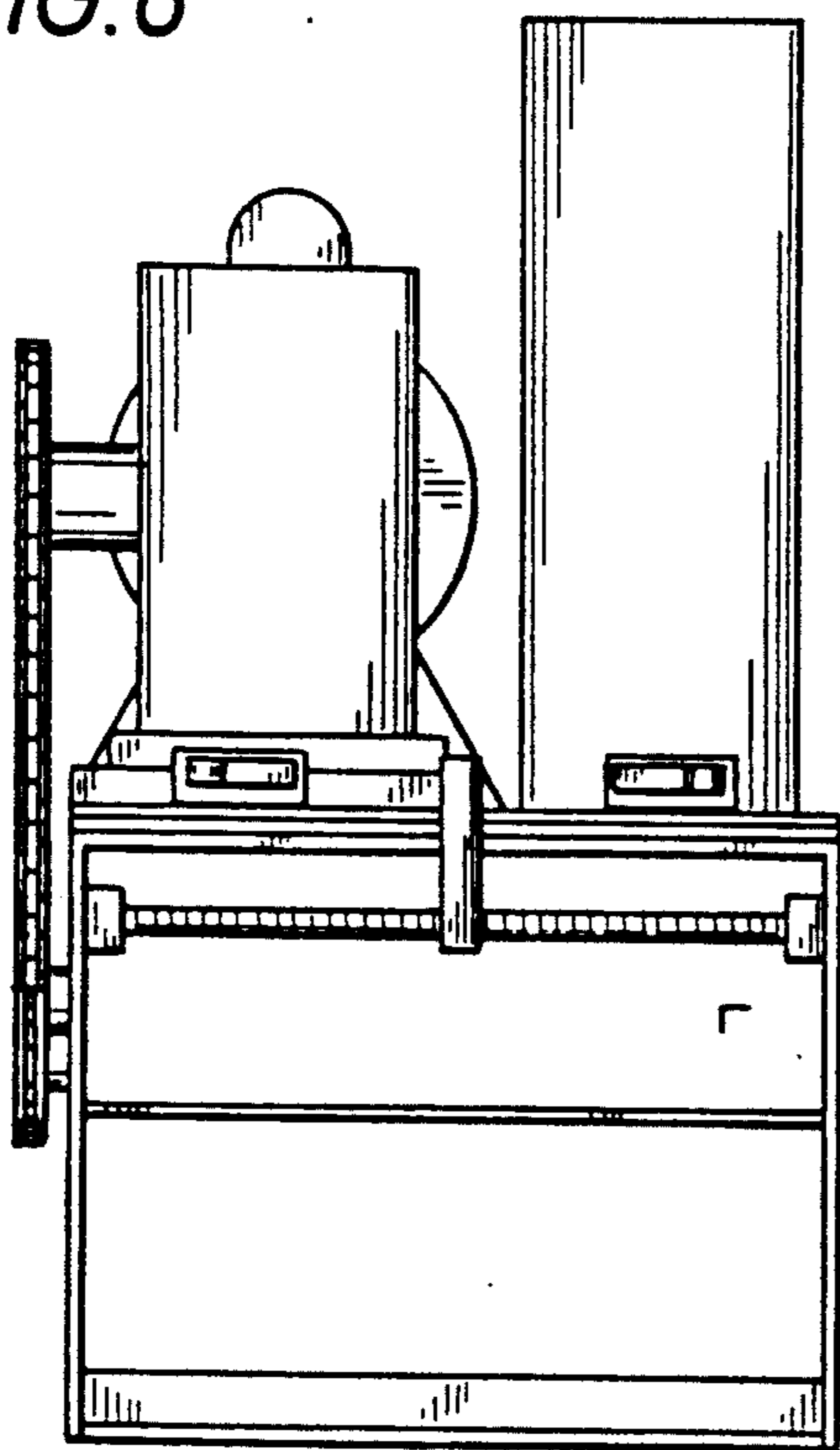


FIG. 5



5 →

FIG. 6



5 ↓

FIG. 7

