



US00D348074S

# United States Patent [19]

[11] Patent Number: **Des. 348,074**

**Asano**

[45] Date of Patent: **\*\* Jun. 21, 1994**

[54] **PORTABLE DRILL**

[75] Inventor: **Osamu Asano, Tokyo, Japan**

[73] Assignee: **Nitto Kohki Co. Ltd., Tokyo, Japan**

[\*\*] Term: **14 Years**

[21] Appl. No.: **861**

[22] Filed: **Oct. 27, 1992**

[30] **Foreign Application Priority Data**

May 1, 1992 [JP] Japan ..... 4-12940

[52] U.S. Cl. .... **D15/132; D8/69**

[58] Field of Search ..... **D8/69; 408/9, 17, 132, 408/87, 90, 135, 234, 236; D15/132**

[56] **References Cited**

**U.S. PATENT DOCUMENTS**

D. 284,970 8/1986 Wolff ..... D15/132

D. 325,389 4/1992 Lin ..... D15/132  
D. 329,438 9/1992 Asano et al. .... D15/132  
4,624,607 11/1986 Kato et al. .... 408/17

*Primary Examiner*—Alan P. Douglas  
*Assistant Examiner*—J. H. Musgrove  
*Attorney, Agent, or Firm*—Wenderoth, Lind & Ponack

## [57] CLAIM

The ornamental design for a portable drill, as shown.

## DESCRIPTION

FIG. 1 is a top plan view of a portable drill showing my new design;

FIG. 2 is a front elevational view;

FIG. 3 is a bottom plan view;

FIG. 4 is a rear elevational view;

FIG. 5 is a right side elevational view;

FIG. 6 is a left side elevational view thereof; and,

FIG. 7 is a top, front, left perspective view thereof.

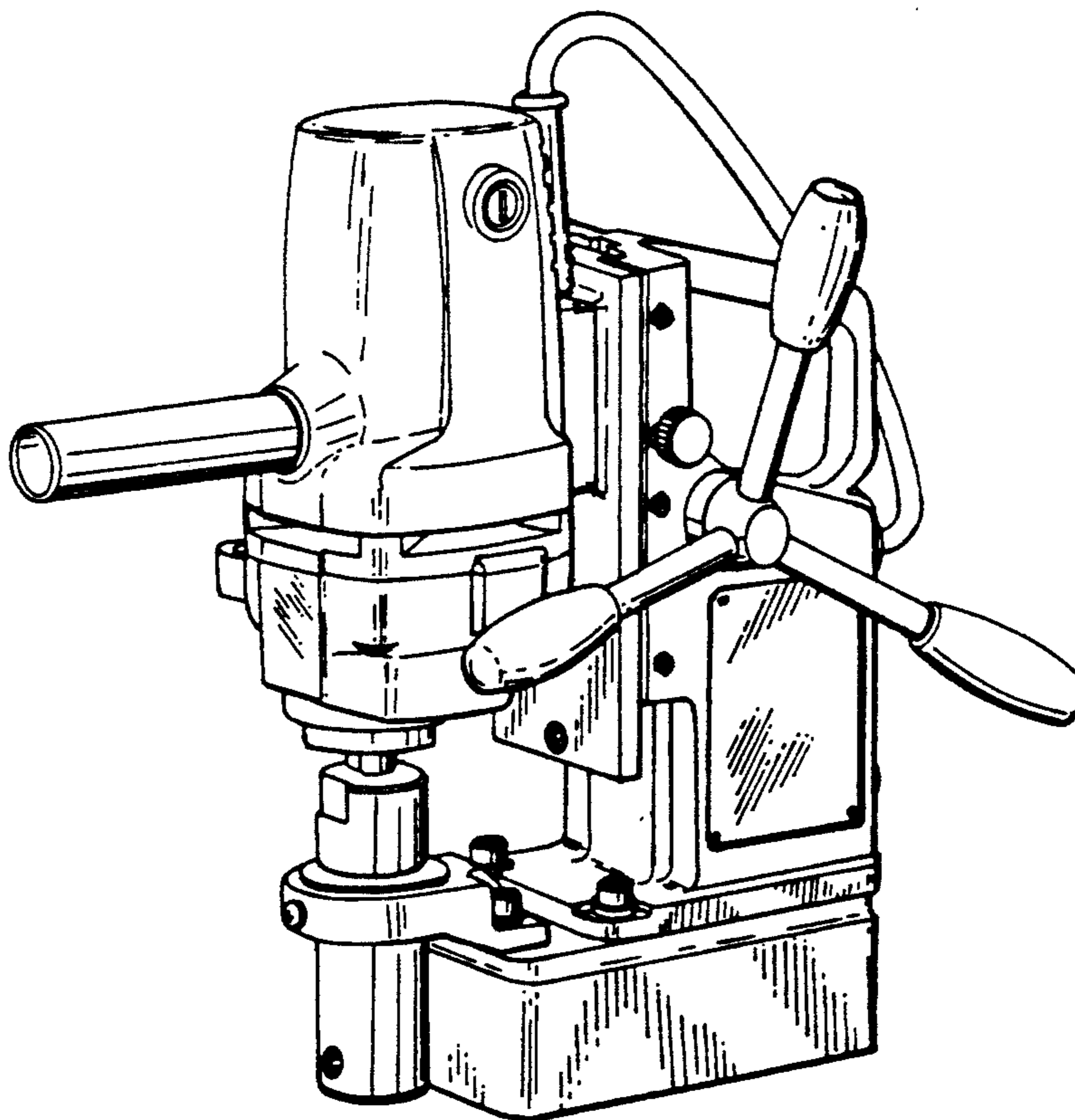


FIG. 1

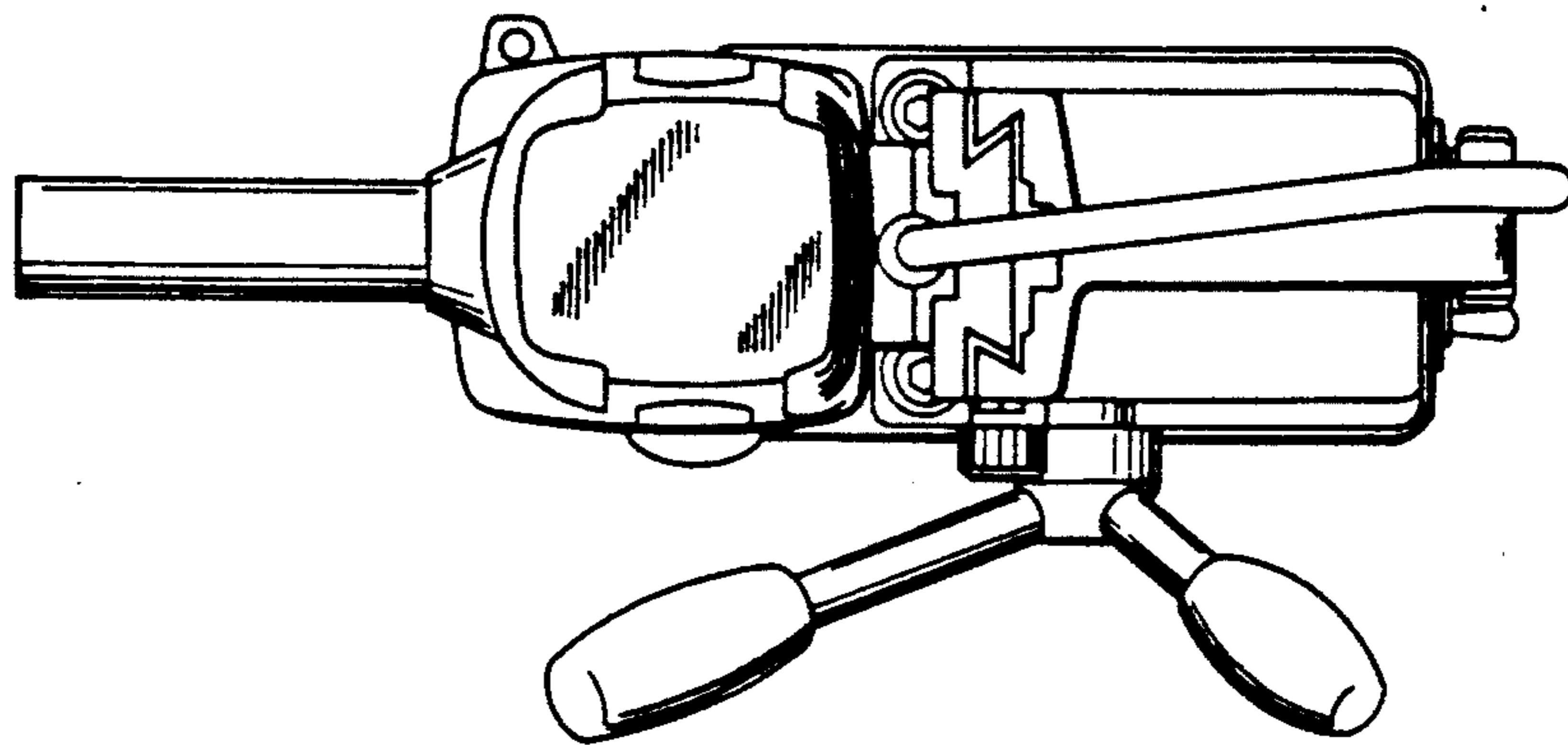


FIG. 2

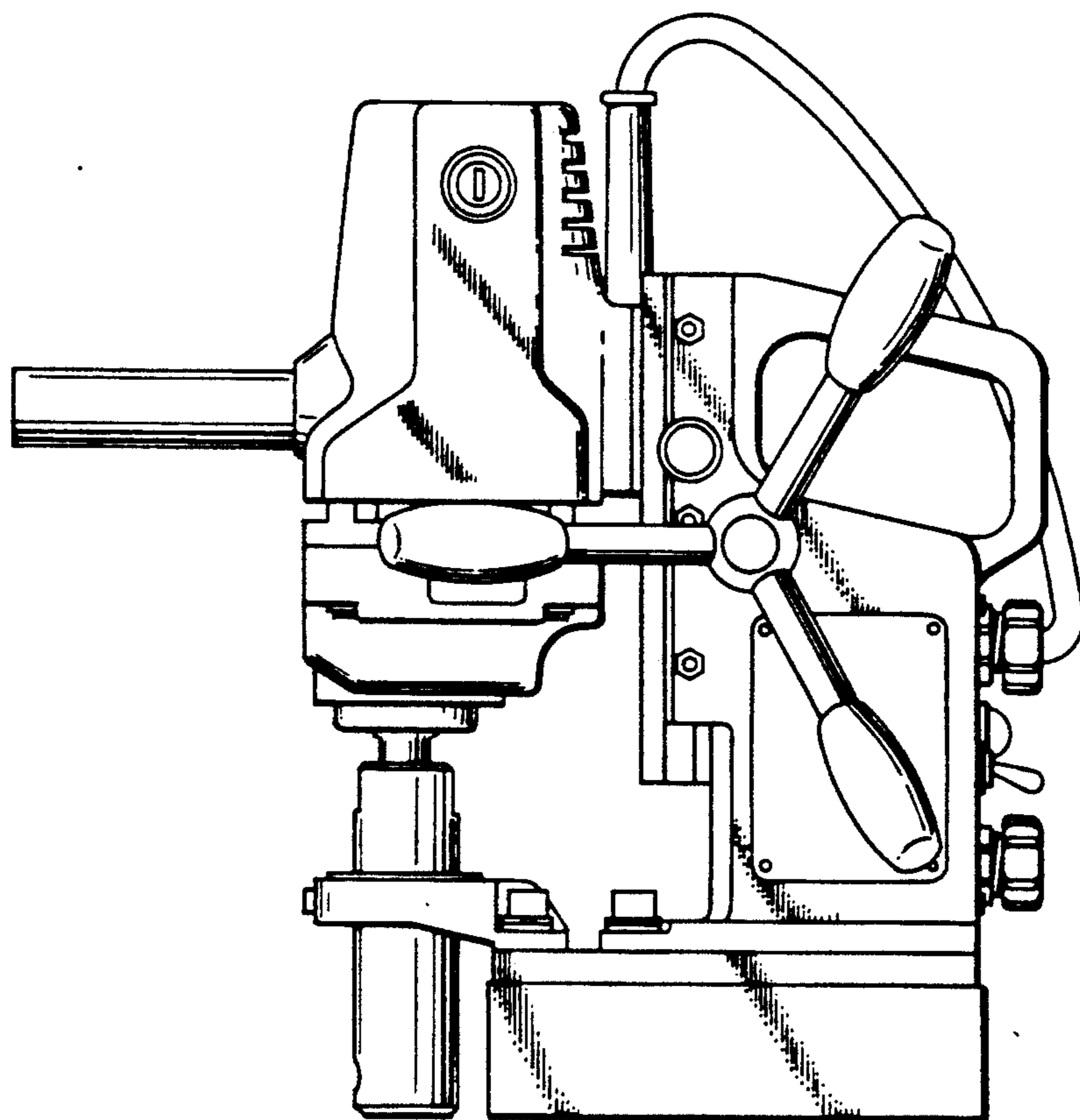


FIG. 3

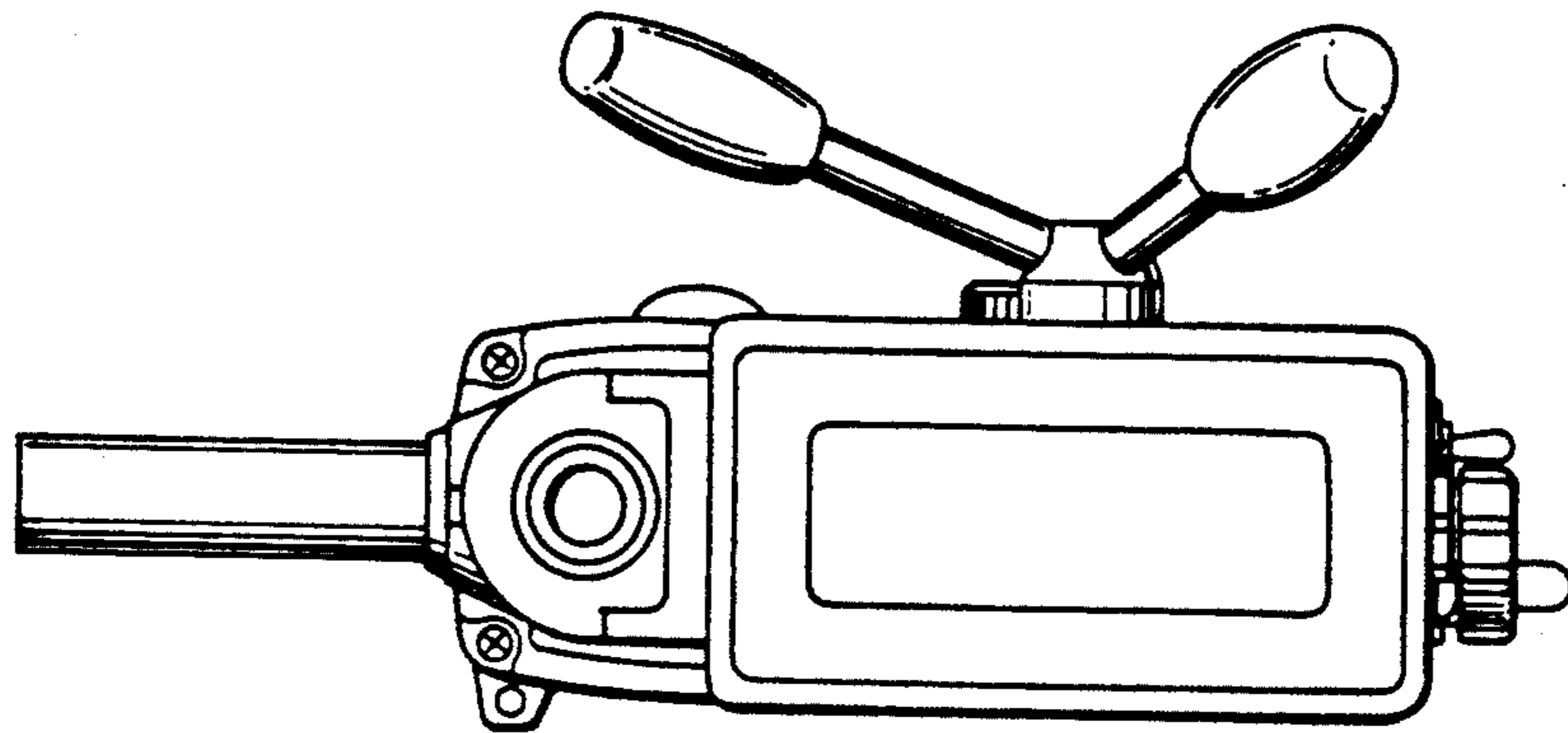


FIG. 4

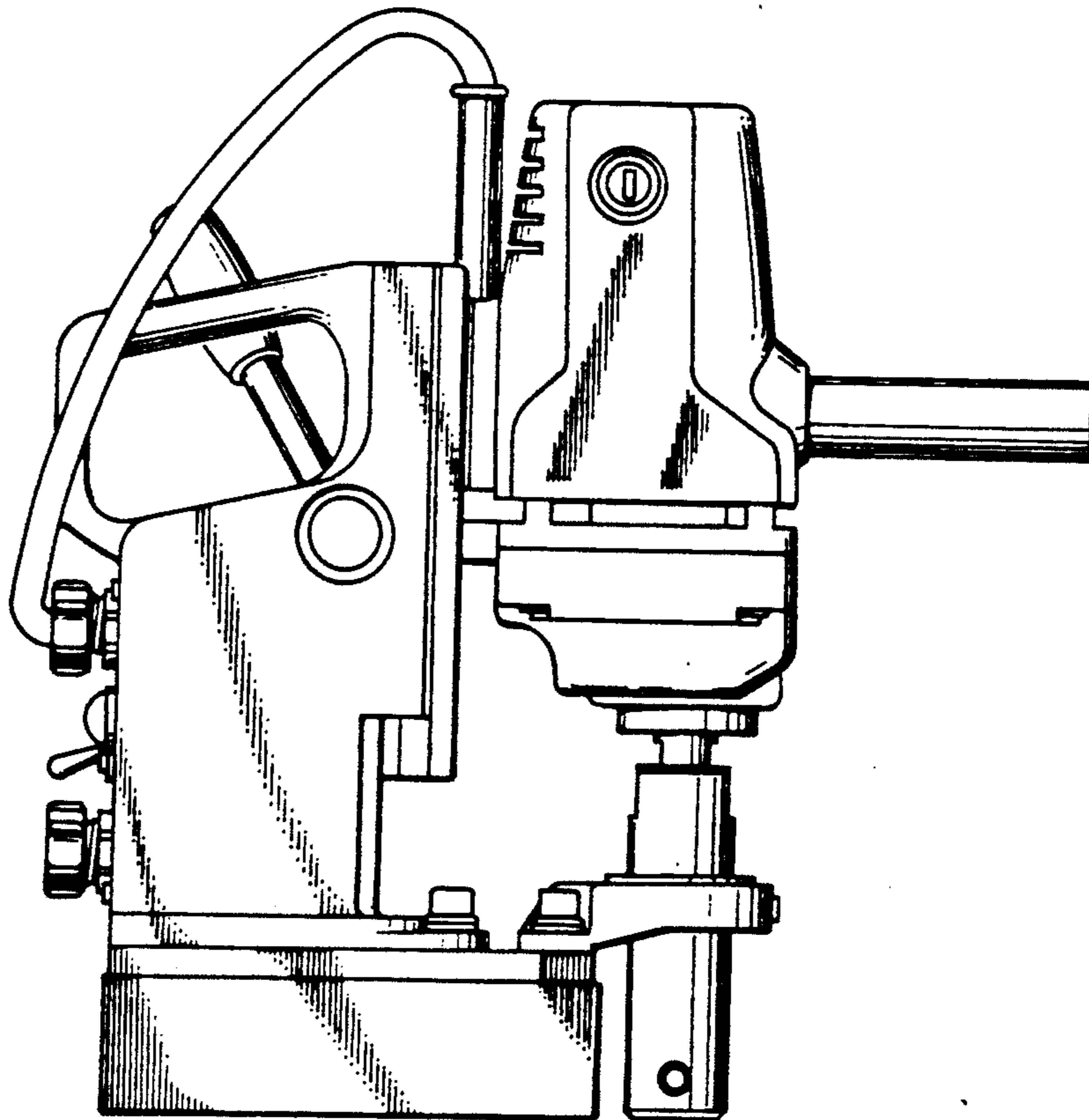


FIG. 6

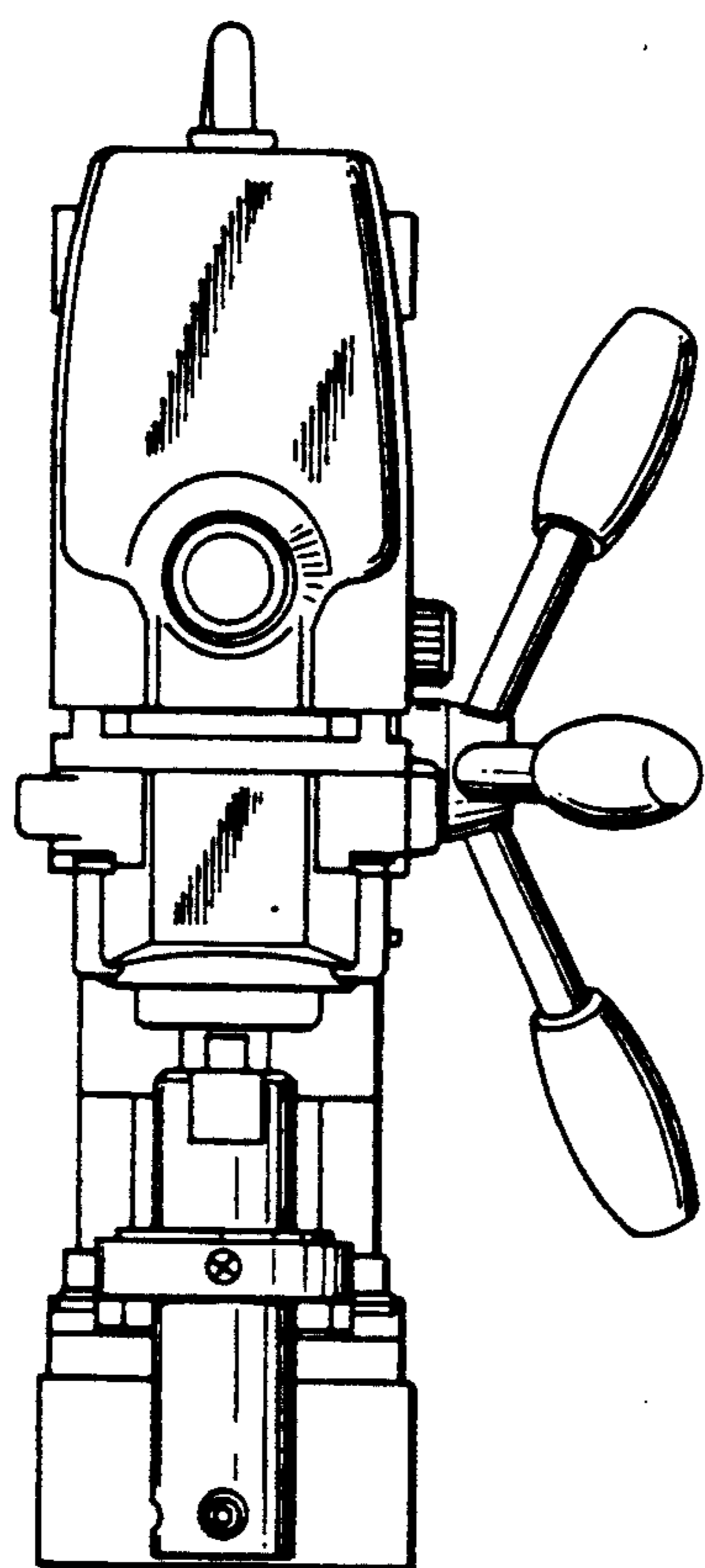
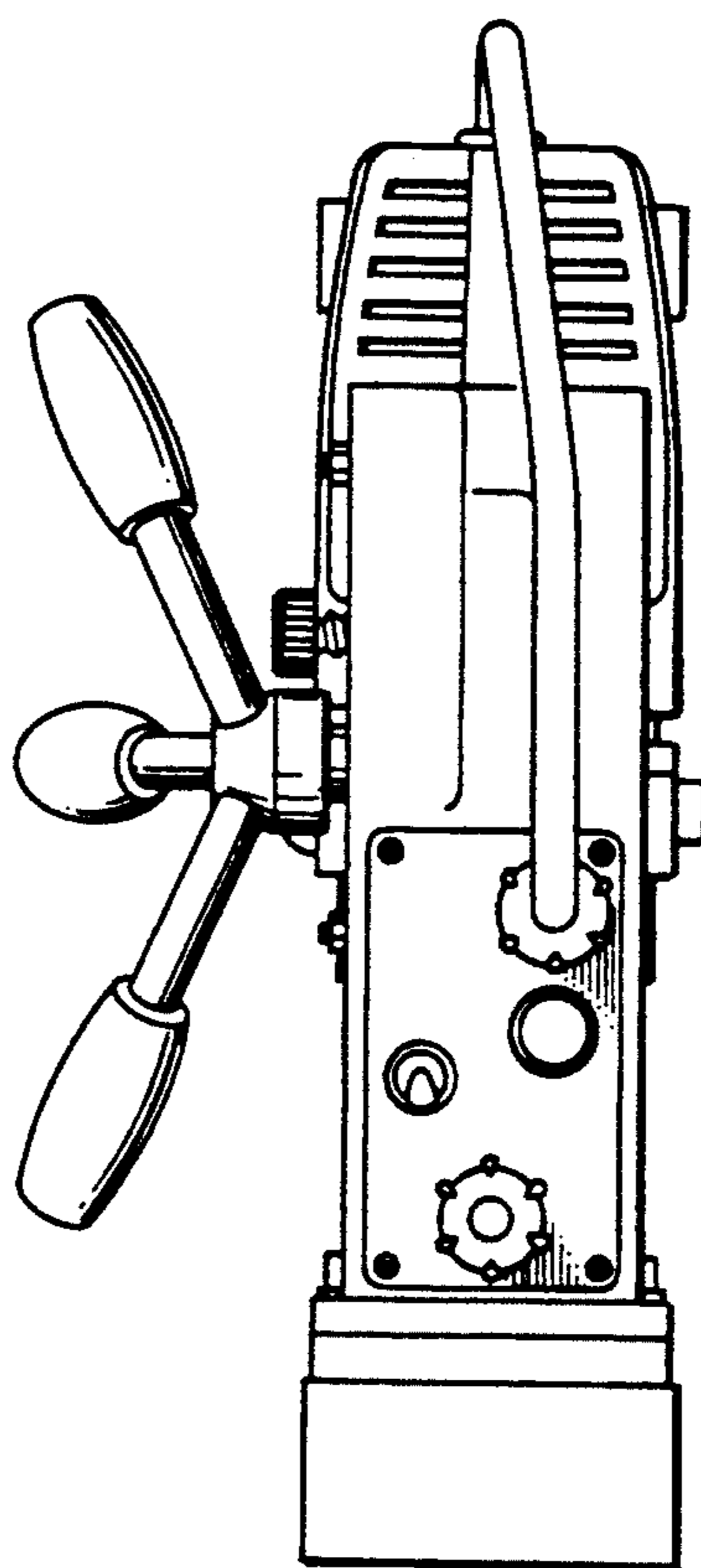


FIG. 5



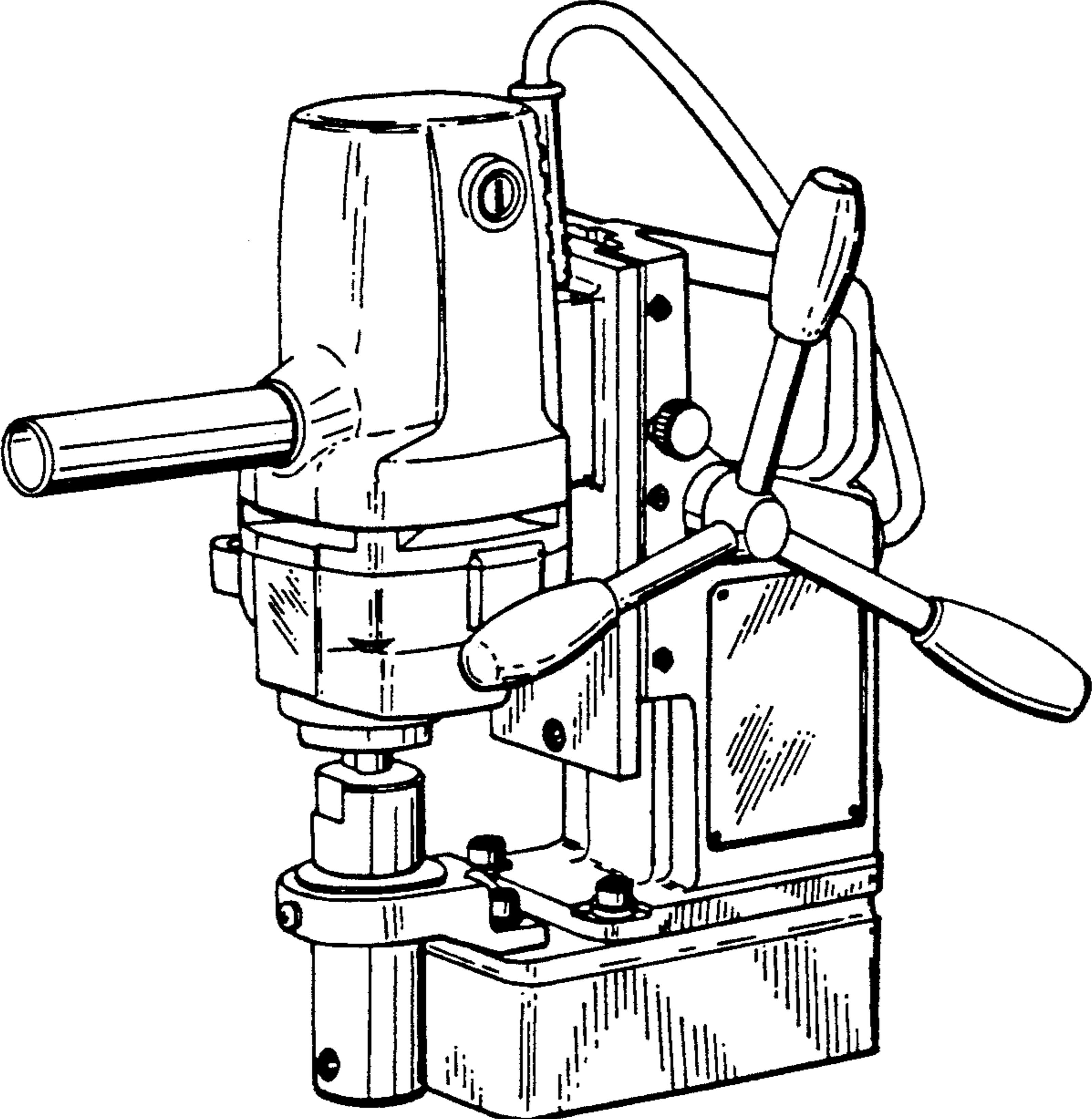


FIG. 7