



US00D348072S

United States Patent [19]

[11] Patent Number: **Des. 348,072**

Benham

[45] Date of Patent: **** Jun. 21, 1994**

[54] **ENGINE FLUID ABSORBING PAD**

4,798,754 1/1989 Tomek 428/74
4,876,135 10/1989 McIntosh 428/74

[76] Inventor: **Melvin C. Benham**, Space 174,
Hayden Pines Way, Hayden Lake,
Id. 83835

Primary Examiner—A. Hugo Word
Assistant Examiner—R. Seifert
Attorney, Agent, or Firm—Terry M. Gernstein

[**] Term: **14 Years**

[57] **CLAIM**

[21] Appl. No.: **938**

The ornamental design for a engine fluid absorbing pad,
as shown and described.

[22] Filed: **Oct. 29, 1992**

[52] U.S. Cl. **D15/5; D32/40**

[58] Field of Search **604/358; 184/106;**
428/74, 192, 182; D24/189; D15/1-5; D32/40

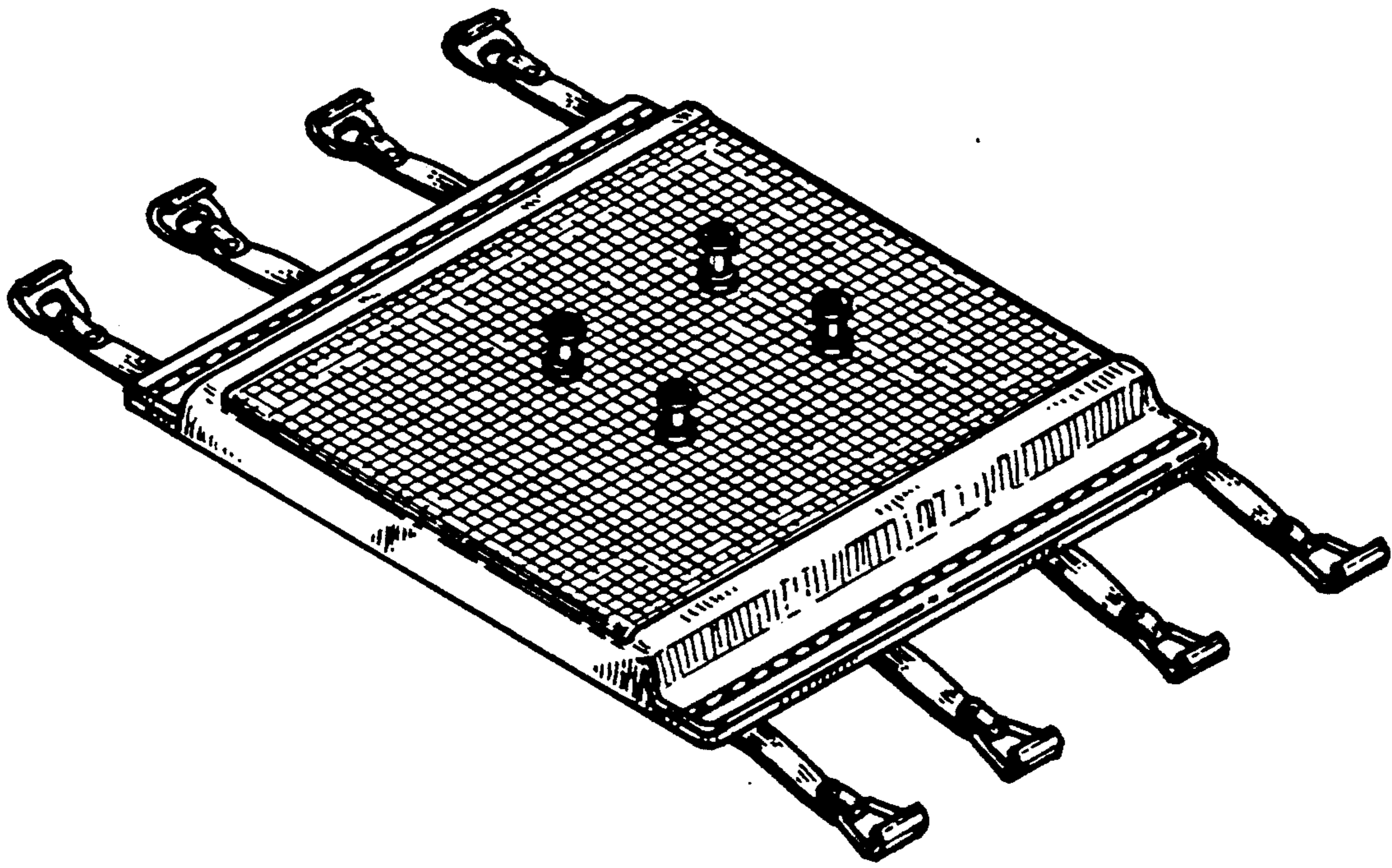
DESCRIPTION

[56] **References Cited**

U.S. PATENT DOCUMENTS

D. 331,478 12/1992 Hatch D32/40
D. 339,899 9/1993 Kessler et al. D32/40
2,992,644 7/1961 Plantinga et al. D24/189
4,684,562 8/1987 Hartkemeyer 428/182

FIG. 1 is a top, front and side perspective view of the engine fluid absorbing pad showing my new design; FIG. 2 is a front elevational view thereof, the rear being a mirror image of the front shown in FIG. 2; FIG. 3 is a side elevational view thereof, the side opposite being a mirror image of the side shown in FIG. 3; FIG. 4 is a top plan view thereof; and, FIG. 5 is a bottom plan view thereof.



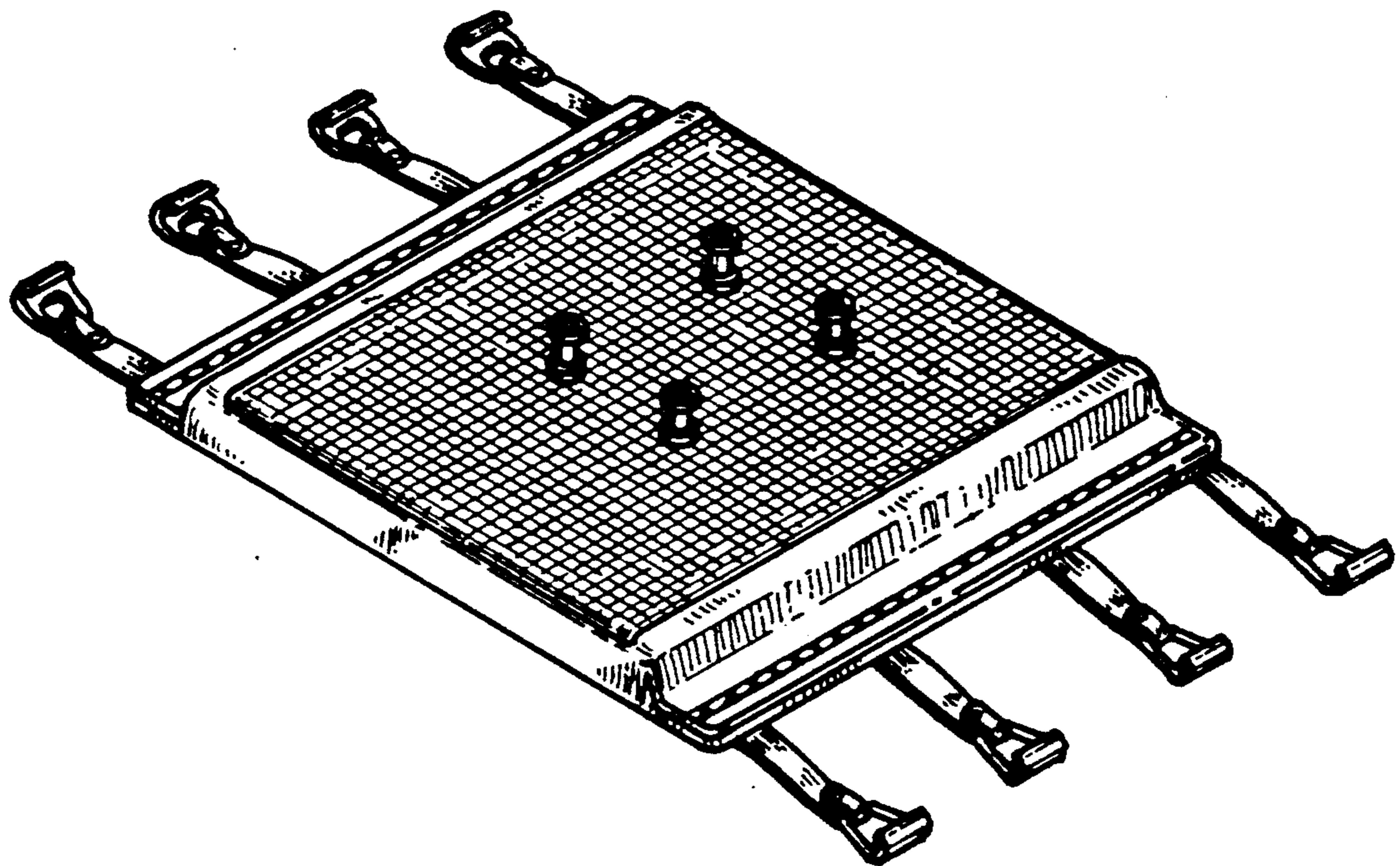


FIG.1

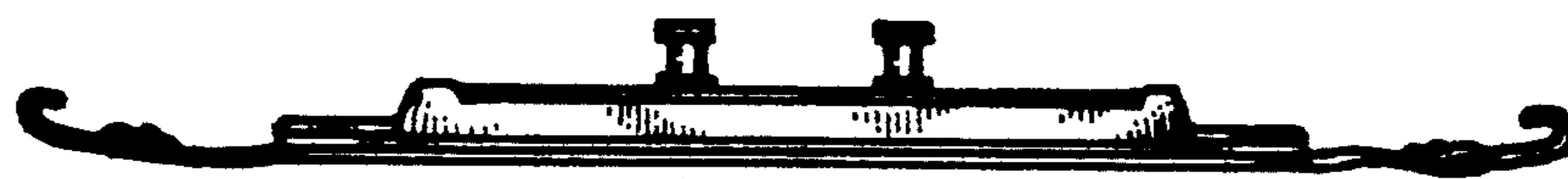


FIG. 2



FIG. 3

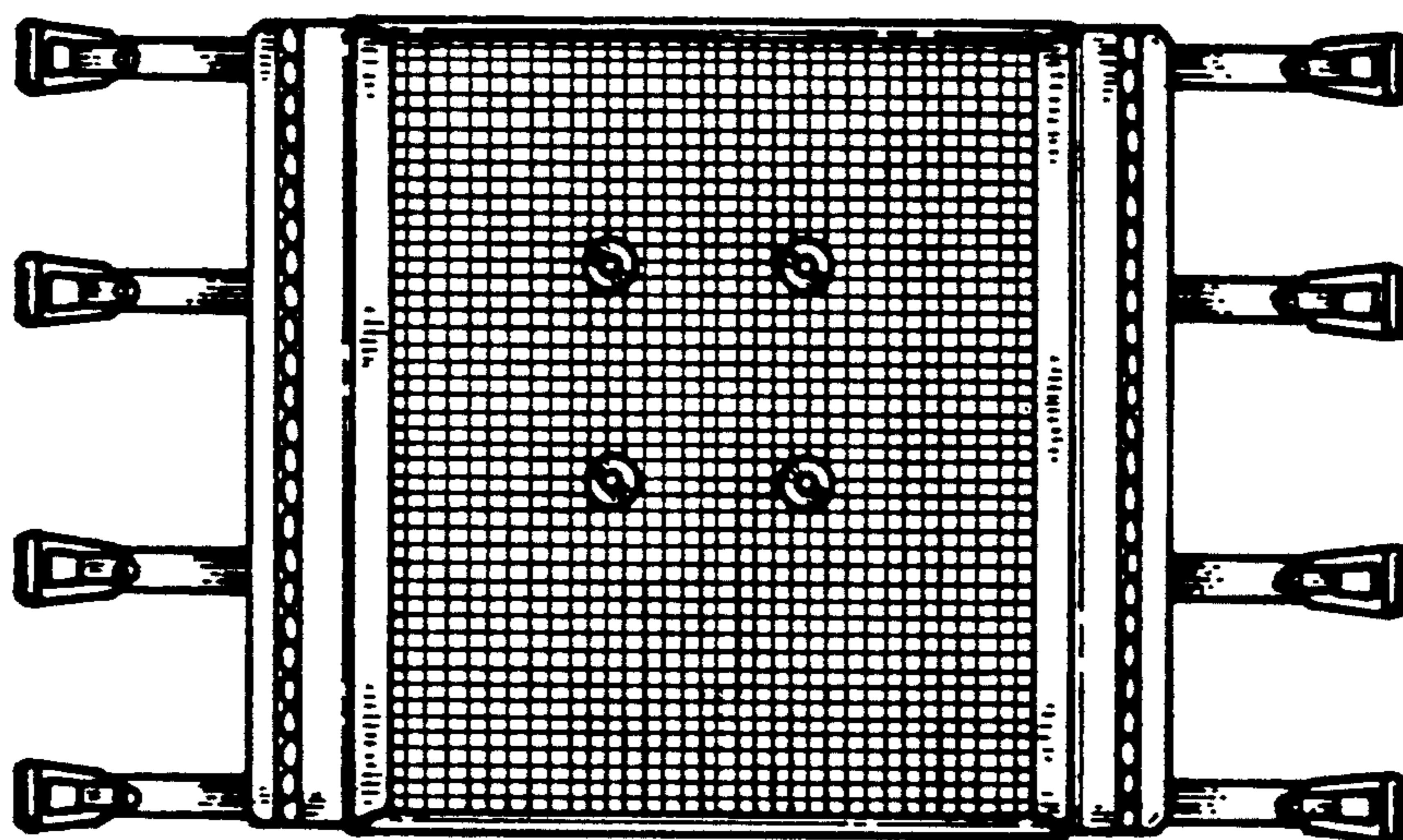


FIG. 4

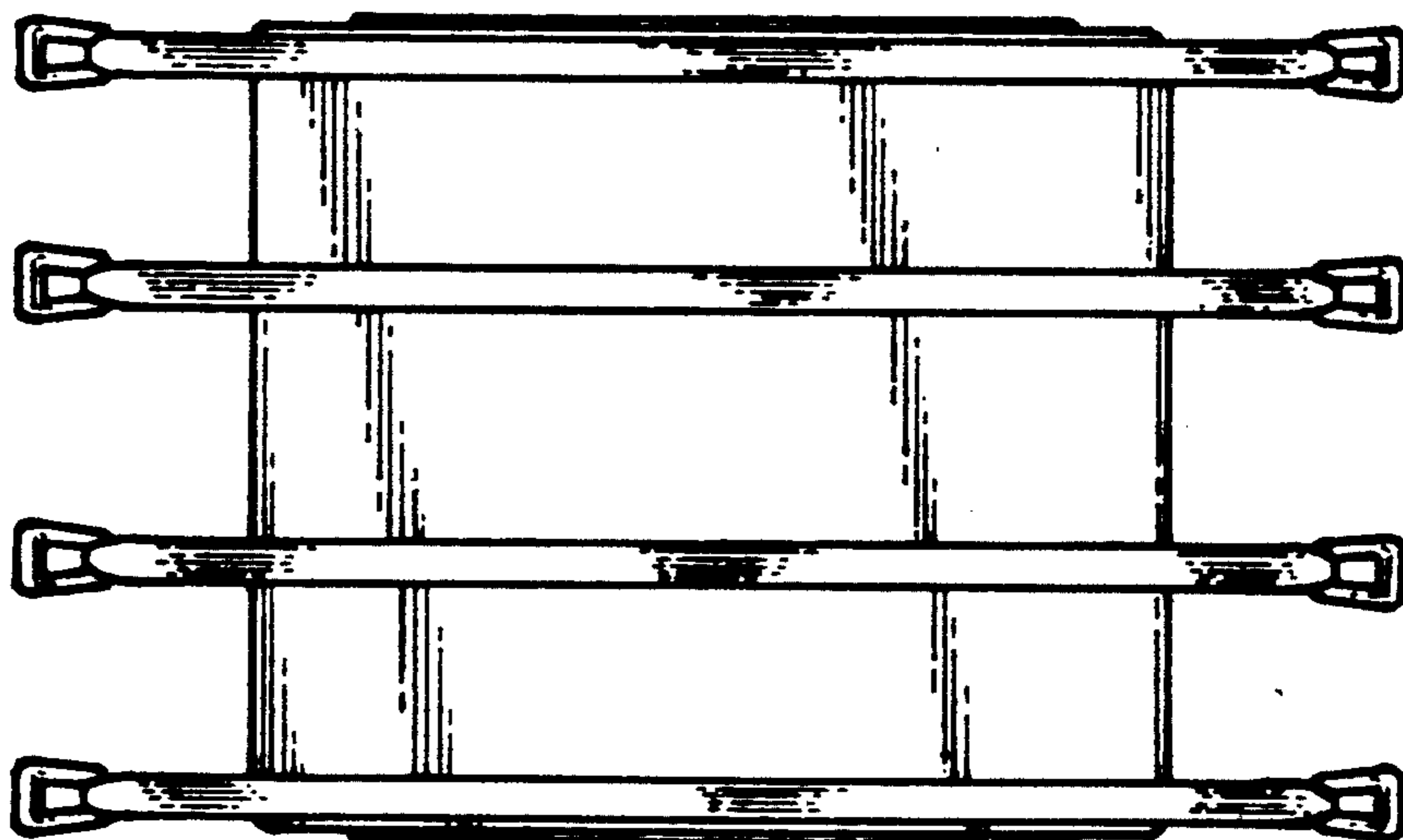


FIG. 5