



US00D348070S

United States Patent [19]

[11] Patent Number: **Des. 348,070**

Vallillee

[45] Date of Patent: **** Jun. 21, 1994**

[54] TELECOMMUNICATION VOICE/DATA SWITCH

[75] Inventor: **George W. Vallillee**, Grand Rapids, Mich.

[73] Assignee: **Datalogic Corporation**, Grand Rapids, Mich.

[**] Term: **14 Years**

[21] Appl. No.: **847,481**

[22] Filed: **Mar. 6, 1992**

[52] U.S. Cl. **D14/240; D14/107; D14/242; D14/256; D21/13**

[58] Field of Search **174/52.1, 50, 67; 361/641, 658, 673, 679, 724, 728, 730, 825; 379/441, 442, 90, 94; 273/433; D14/100, 107, 109, 114, 240, 242, 256; D13/162, 164, 184; D21/13**

[56] **References Cited**

U.S. PATENT DOCUMENTS

D. 285,558 9/1986 Isaacs D14/240

D. 295,178	4/1988	Pedinielli	D14/107
D. 311,910	11/1990	Pedinielli et al.	D14/107
D. 312,627	12/1990	Gutzmer	D14/107
D. 326,448	5/1992	Fukuda	D14/107
D. 334,218	3/1993	Lee	D21/13
D. 339,307	9/1993	Tahari et al.	D14/240
D. 341,363	11/1993	Chambers	D14/240
5,184,830	2/1993	Okada et al.	273/433

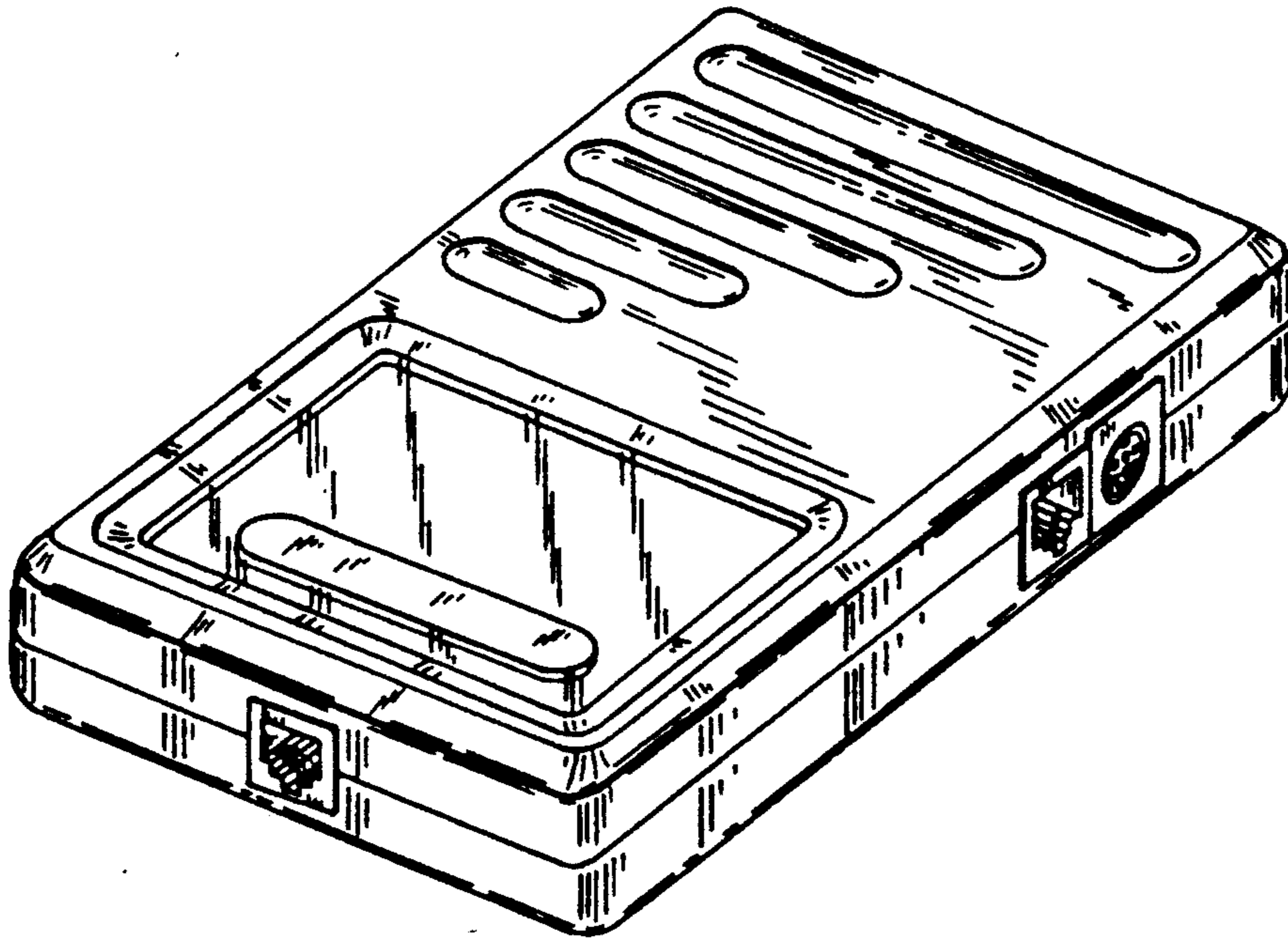
Primary Examiner—Alan P. Douglas
Assistant Examiner—Jeffrey Asch
Attorney, Agent, or Firm—Warner, Norcross & Judd

[57] CLAIM

The ornamental design for a telecommunication voice/-data switch, as shown and described.

DESCRIPTION

FIG. 1 is a perspective view of a telecommunication voice/data switch showing my new design; FIG. 2 is a top plan view thereof; FIG. 3 is a bottom plan view thereof; FIG. 4 is a front elevational view thereof; FIG. 5 is a rear elevational view thereof; FIG. 6 is a left side elevational view thereof; and, FIG. 7 is a right side elevational view thereof.



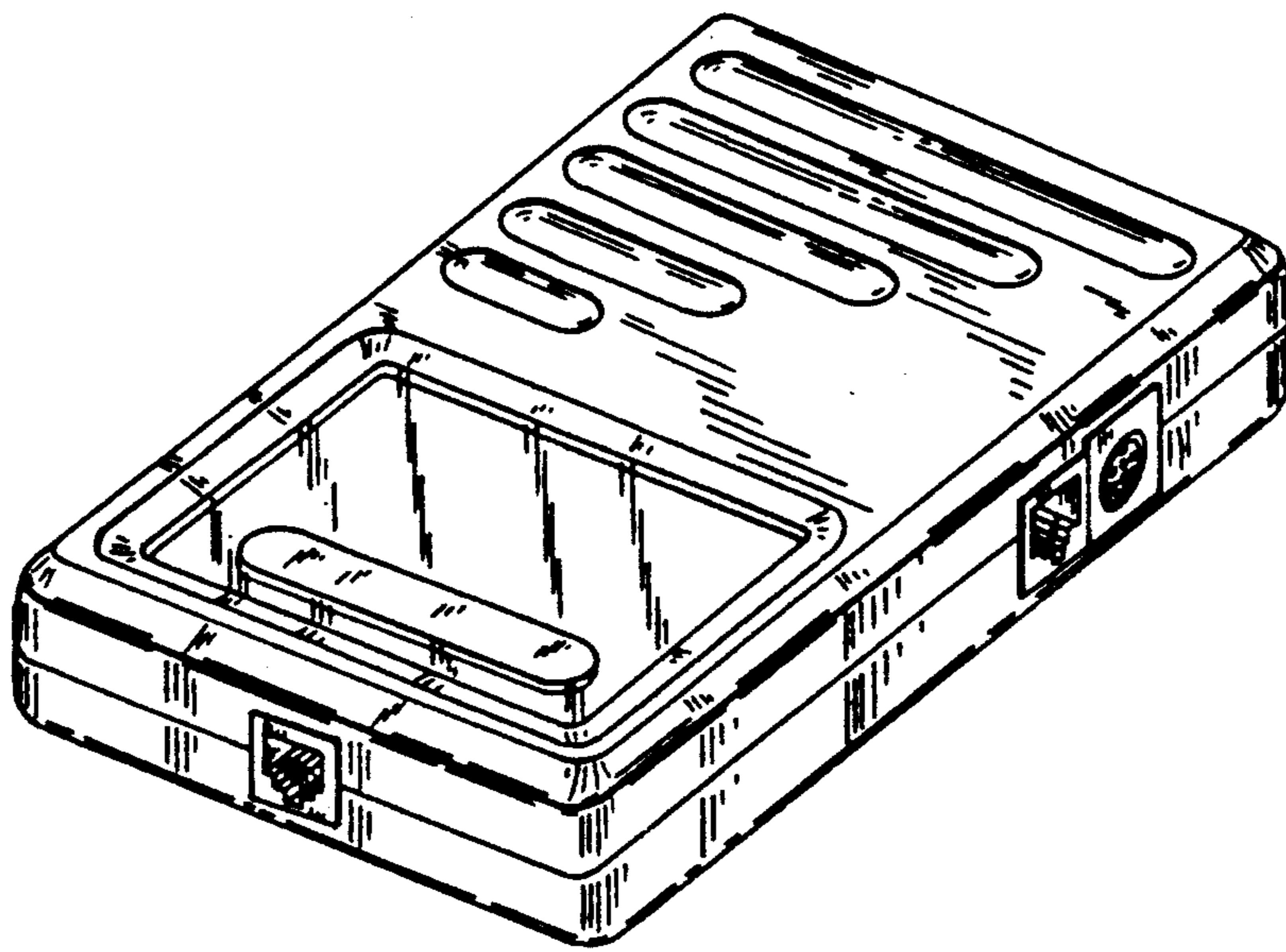


FIG. 1

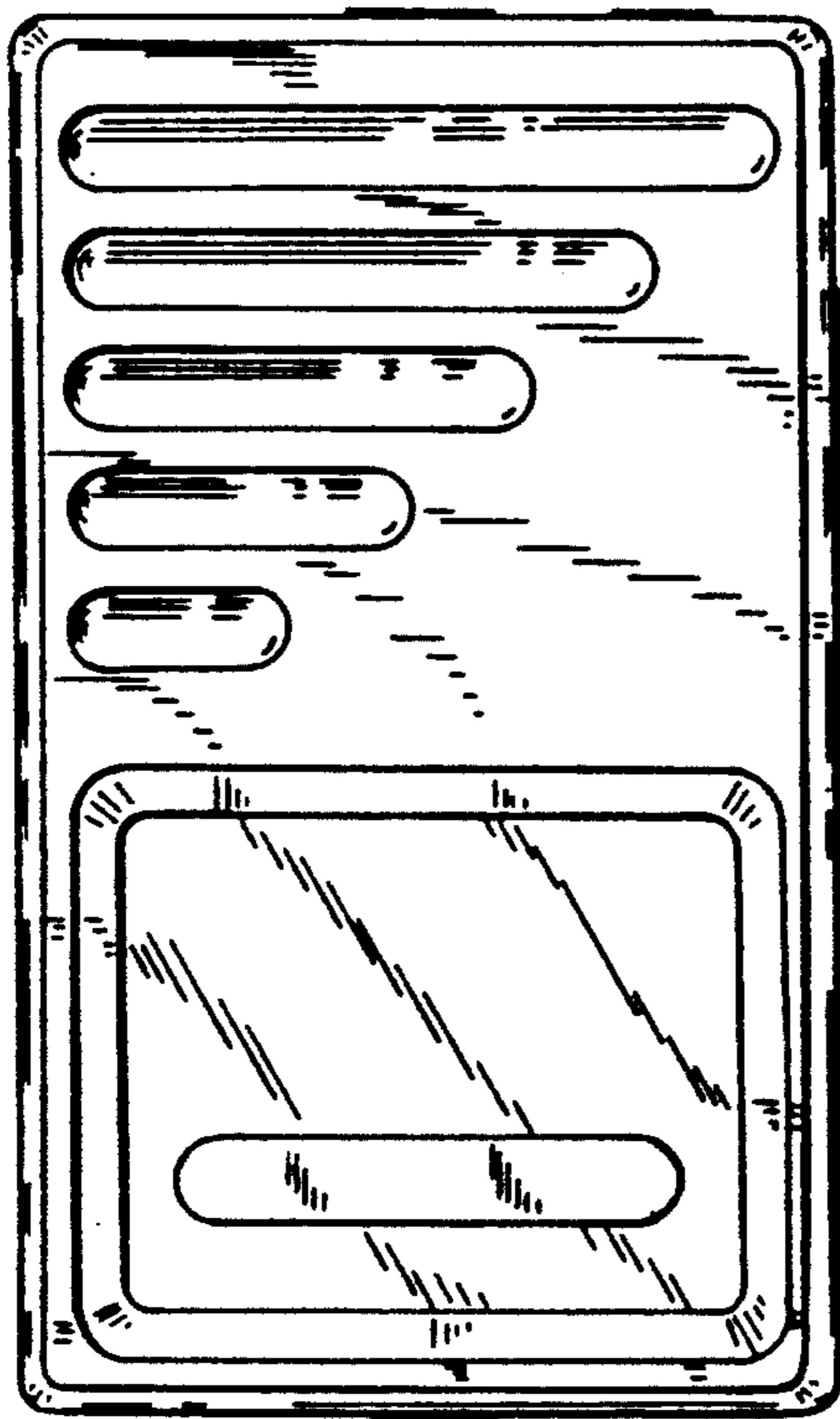


FIG. 2

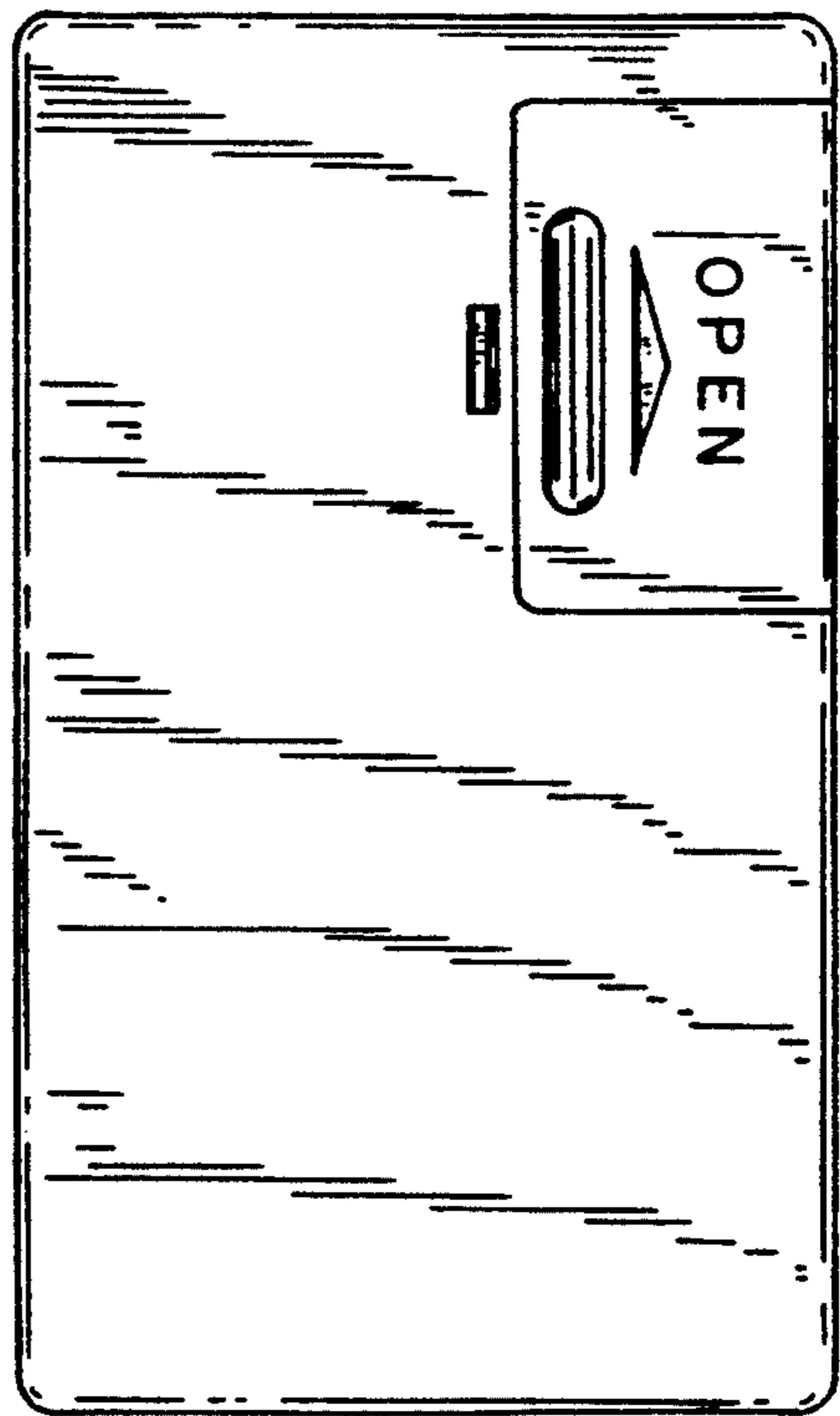


FIG. 3

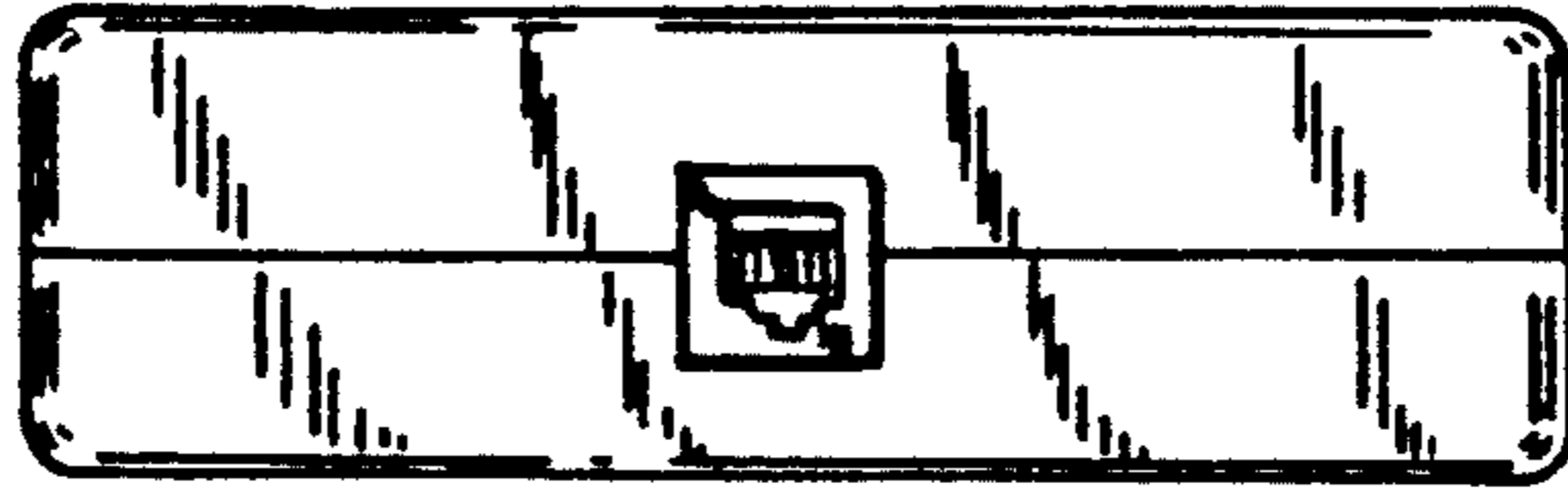


FIG. 4

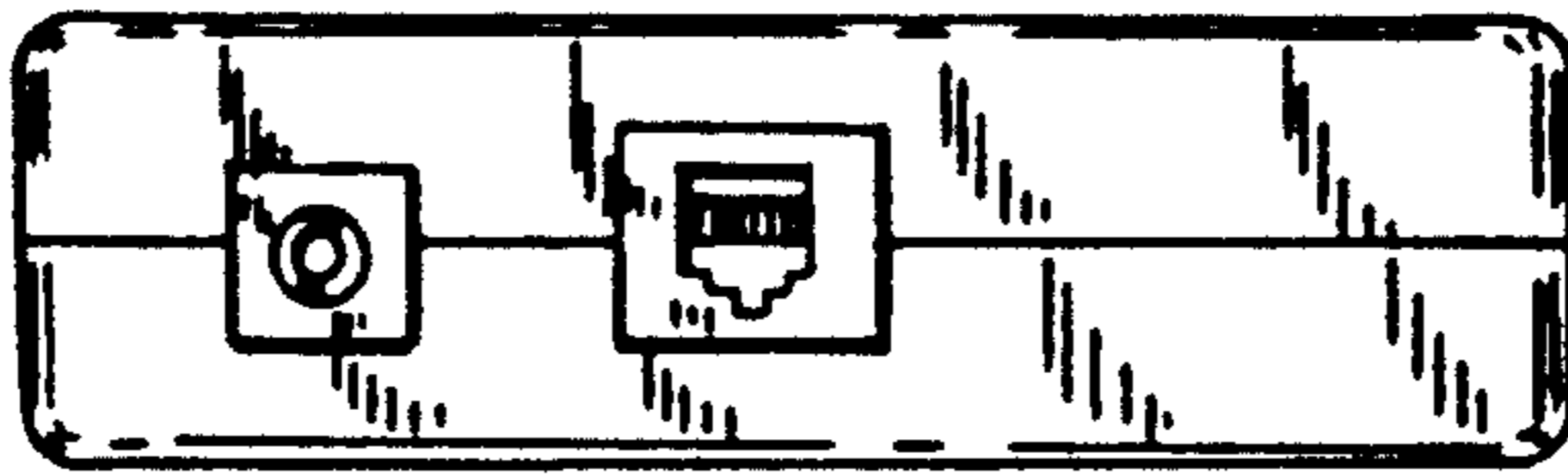


FIG. 5

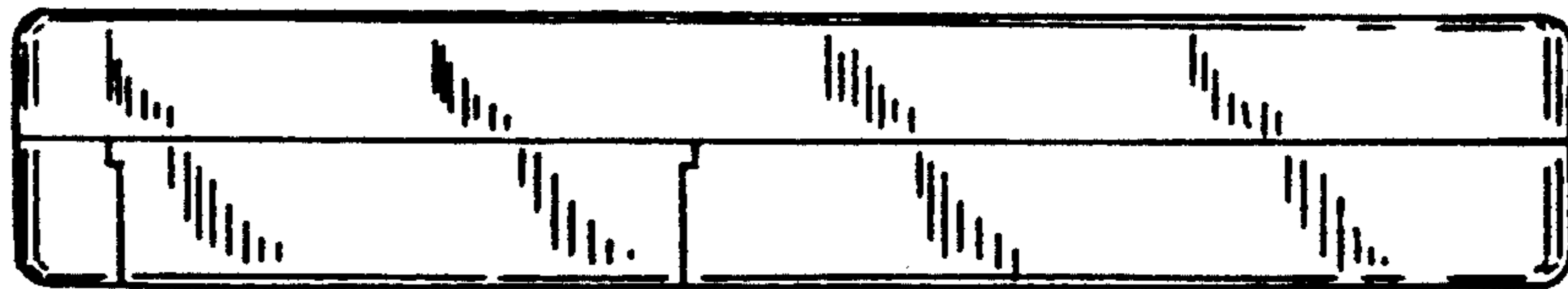


FIG. 6

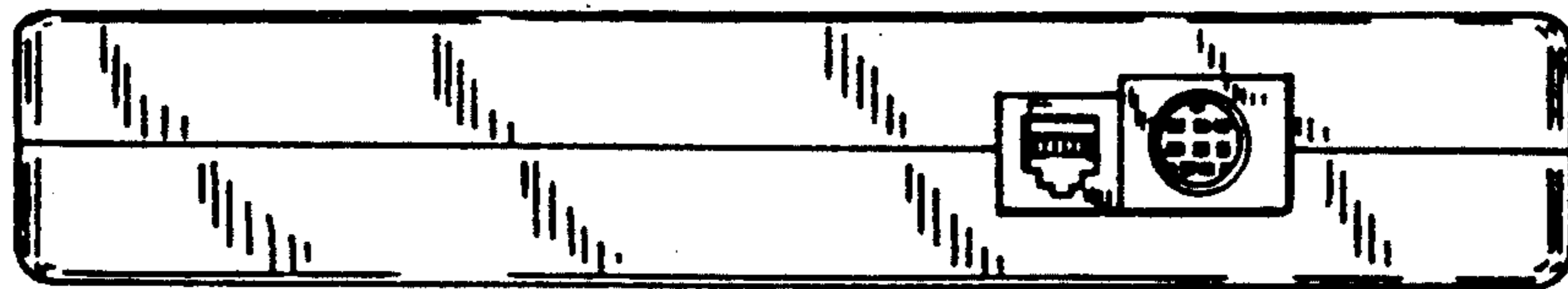


FIG. 7