



US00D348068S

United States Patent [19]

[11] Patent Number: **Des. 348,068**

Vano

[45] Date of Patent: **** Jun. 21, 1994**

[54] **ANTENNA**

4,827,273 5/1989 Friedberg et al. 343/715

[76] Inventor: **Michael A. Vano**, 2827 Philadelphia Ave., Pittsburgh, Pa. 15216

Primary Examiner—B. J. Bullock
Attorney, Agent, or Firm—S. Michael Bender

[**] Term: **14 Years**

[57] **CLAIM**

[21] Appl. No.: **921,496**

The ornamental design for a antenna, as shown and described.

[22] Filed: **Jul. 29, 1992**

[52] U.S. Cl. **D14/234**

[58] Field of Search 343/700 R, 715, 900;
D14/230, 234

DESCRIPTION

[56] **References Cited**

U.S. PATENT DOCUMENTS

- D. 270,054 8/1983 Spycher D14/234
- D. 334,195 3/1993 Phillips D14/234

FIG. 1 is a front elevational view of the antenna showing my new design;

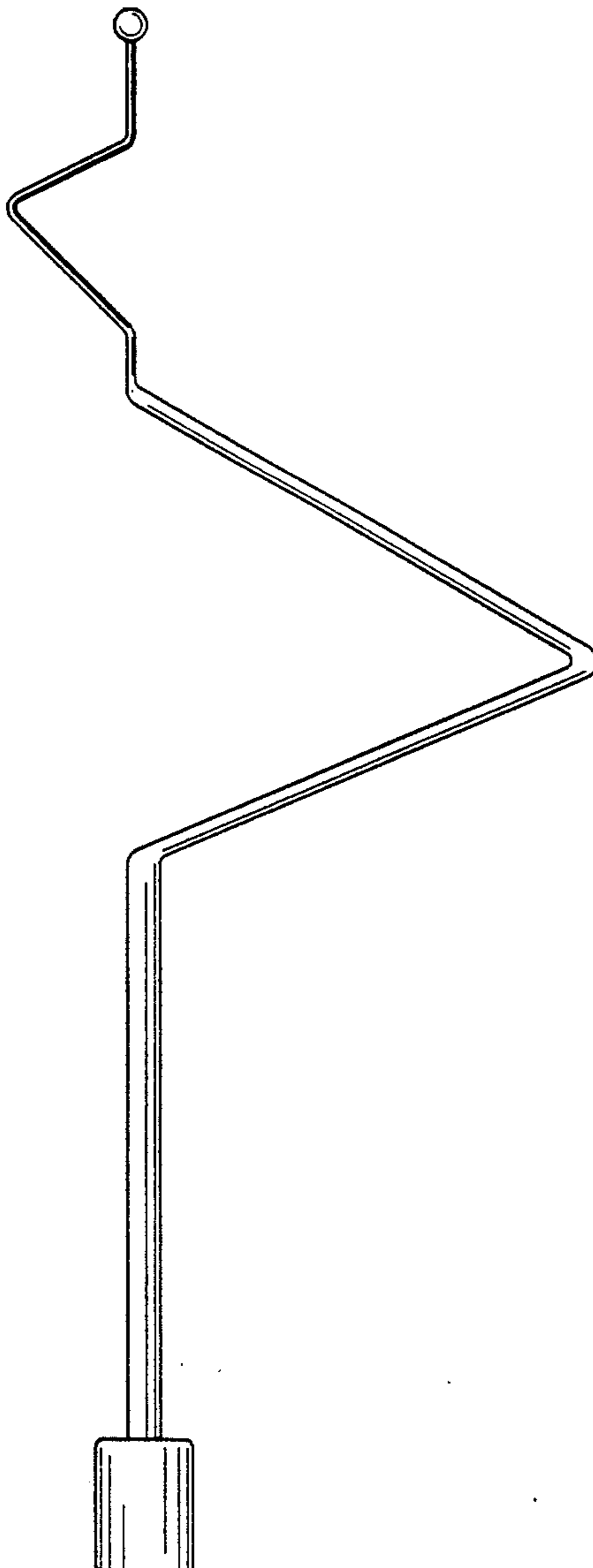
FIG. 2 is a rear elevational view thereof;

FIG. 3 is a left side elevational view thereof;

FIG. 4 is a right side elevational view thereof;

FIG. 5 is a top plan view thereof; and,

FIG. 6 is a bottom plan view thereof.



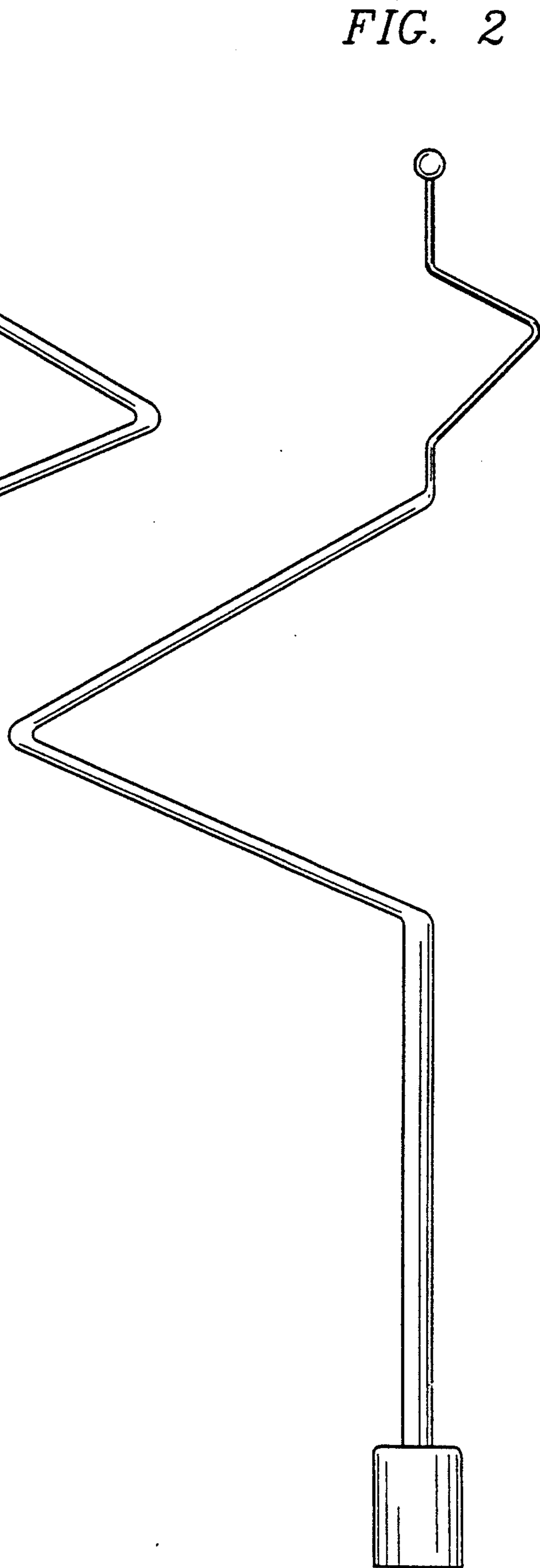
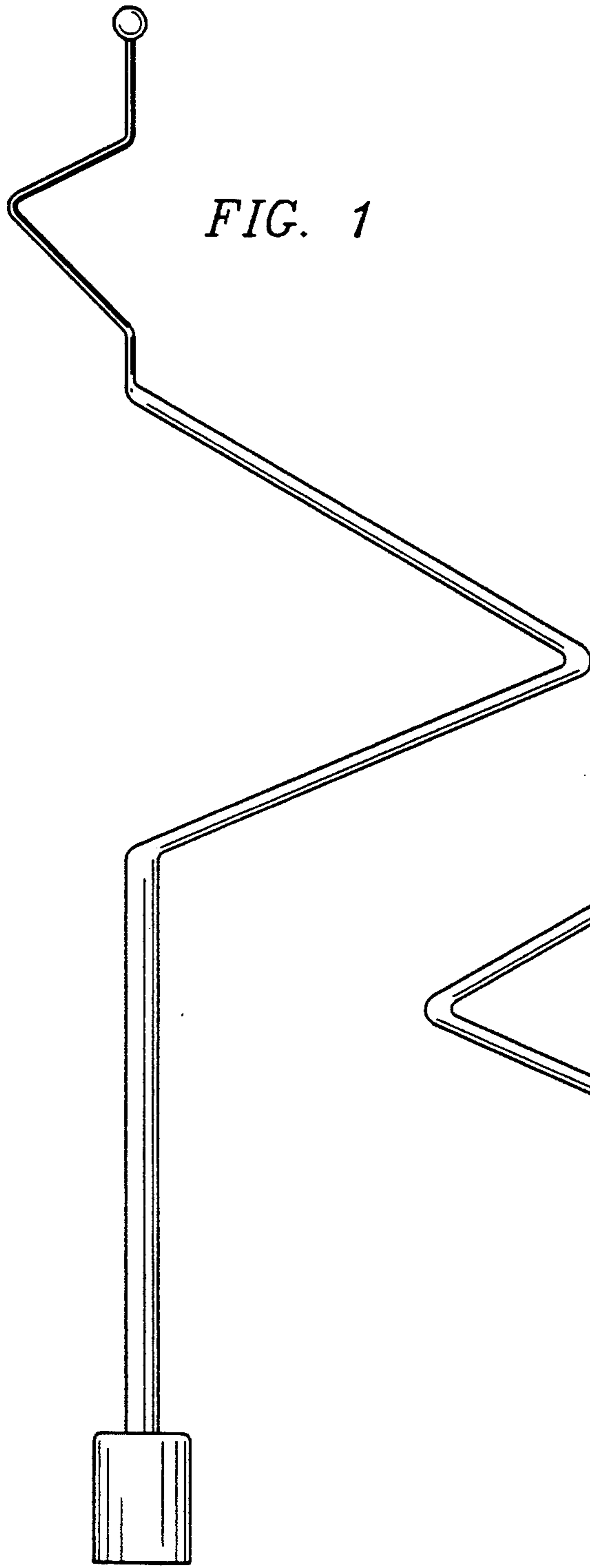


FIG. 3

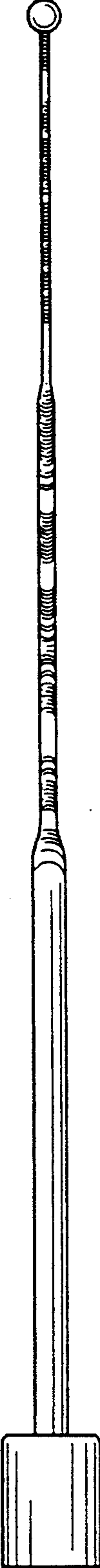


FIG. 4

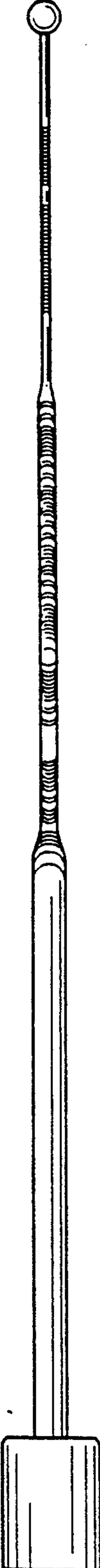


FIG. 5

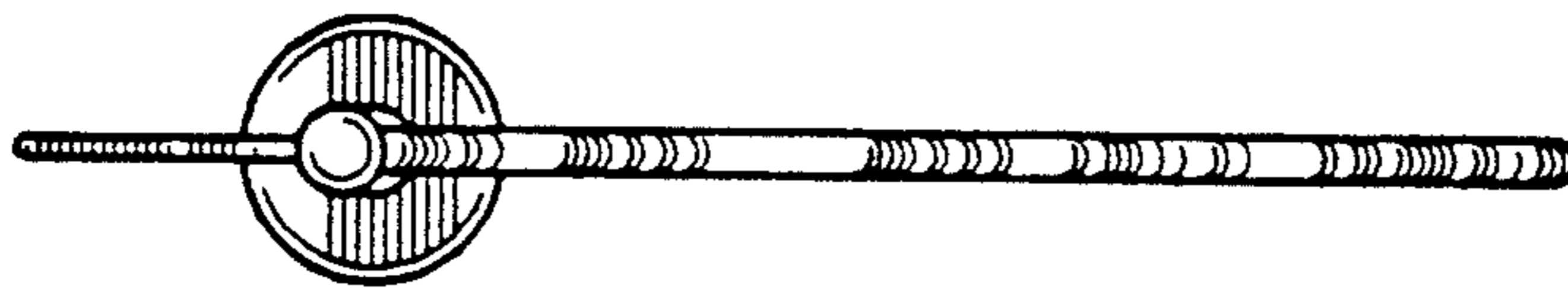


FIG. 6

