



US00D348066S

# United States Patent [19]

[11] Patent Number: **Des. 348,066**

**Lucey**

[45] Date of Patent: **\*\* Jun. 21, 1994**

[54] **EARPIECE HIGH VOLTAGE BAFFLE**

4,965,838 10/1990 Kamon et al. .... 381/187

[75] Inventor: **Robert E. Lucey, Sudbury, Mass.**

### FOREIGN PATENT DOCUMENTS

[73] Assignee: **Unex Corporation, Chelmsford, Mass.**

2078057 12/1981 United Kingdom ..... 381/187  
2082020 2/1982 United Kingdom ..... 381/183

[\*\*] Term: **14 Years**

*Primary Examiner*—Bernard Ansher  
*Assistant Examiner*—Sandra Morris  
*Attorney, Agent, or Firm*—Weingarten, Schurgin,  
Gagnebin & Hayes

[21] Appl. No.: **670,212**

[22] Filed: **Mar. 15, 1991**

[52] U.S. Cl. .... **D14/223; D14/205**

[58] Field of Search ..... 181/129; 379/430;  
381/25, 68, 68.7, 69.2, 183, 187; D14/204-206,  
222, 223; D19/19

### [57] CLAIM

The ornamental design for an earpiece high voltage baffle, as shown and described.

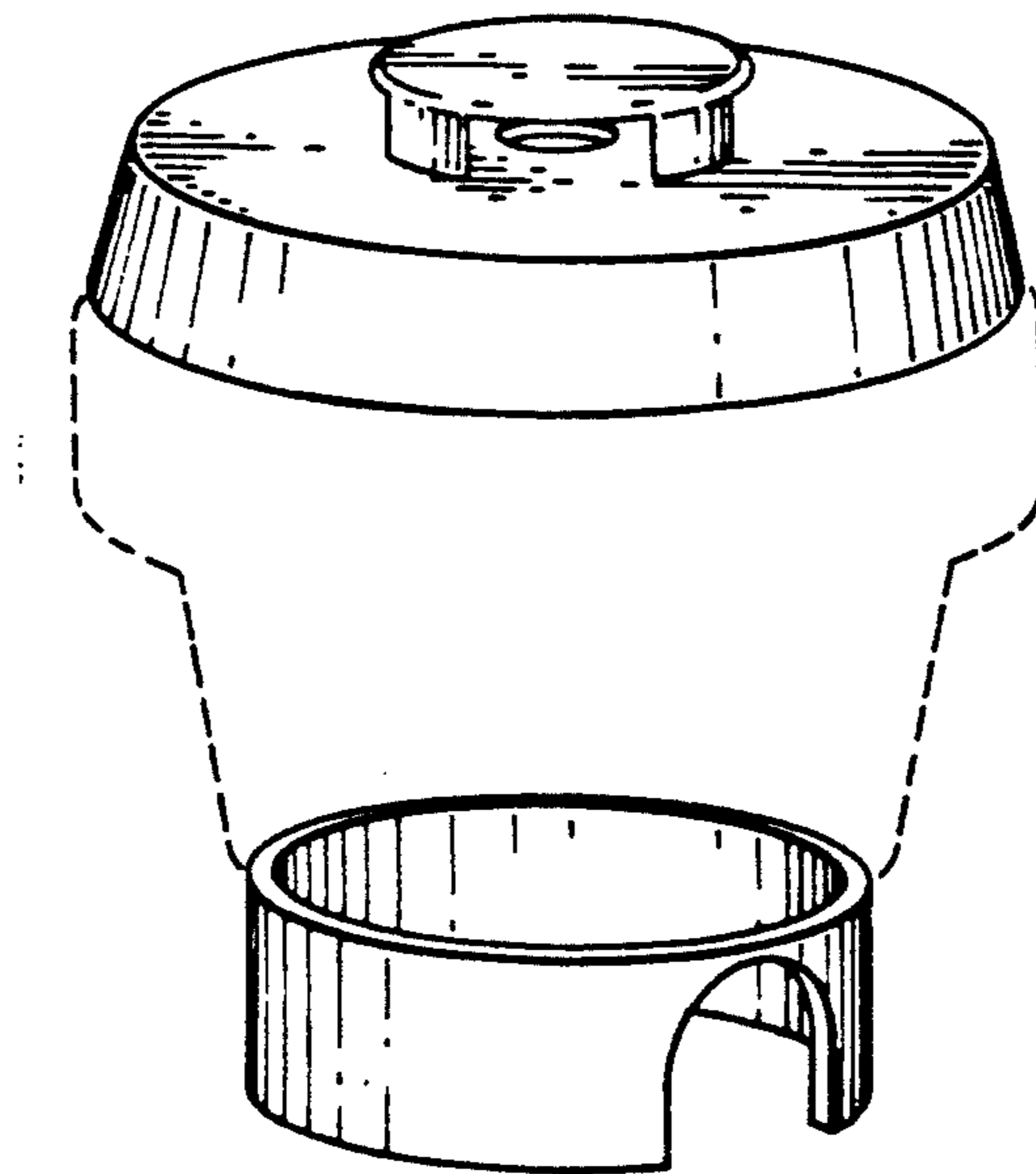
### DESCRIPTION

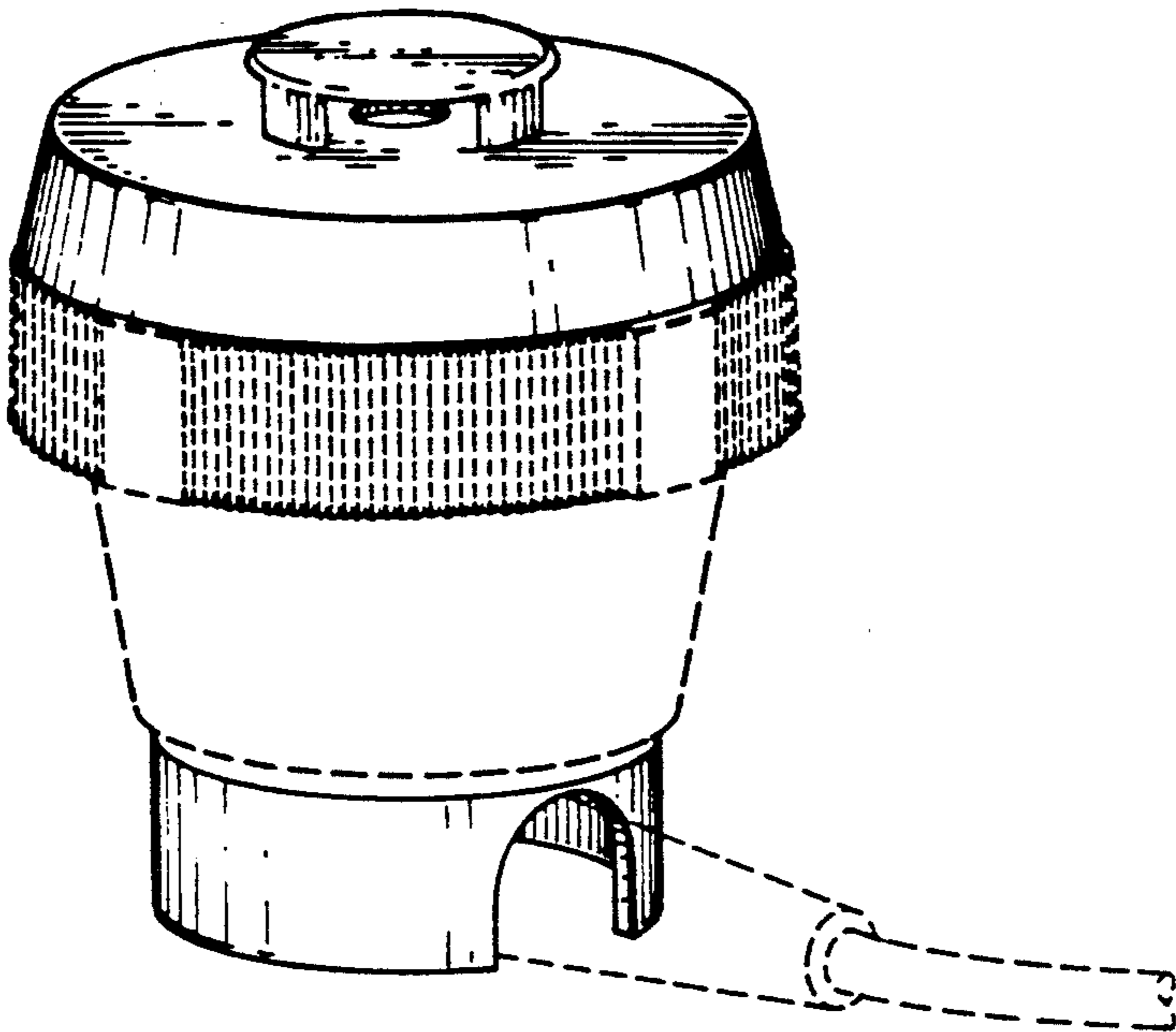
FIG. 1 is a top perspective view of an earpiece high voltage baffle, showing my new design, the dotted line showing of an ear bud speaker is for illustrative purposes only, and forms no part of the claimed design; FIG. 2 is a bottom perspective view thereof; FIG. 3 is a top plan view thereof; FIG. 4 is a bottom plan view thereof; FIG. 5 is a top perspective view thereof; FIG. 6 is a bottom perspective view thereof; and, FIG. 7 is a rear elevational view thereof.

### [56] References Cited

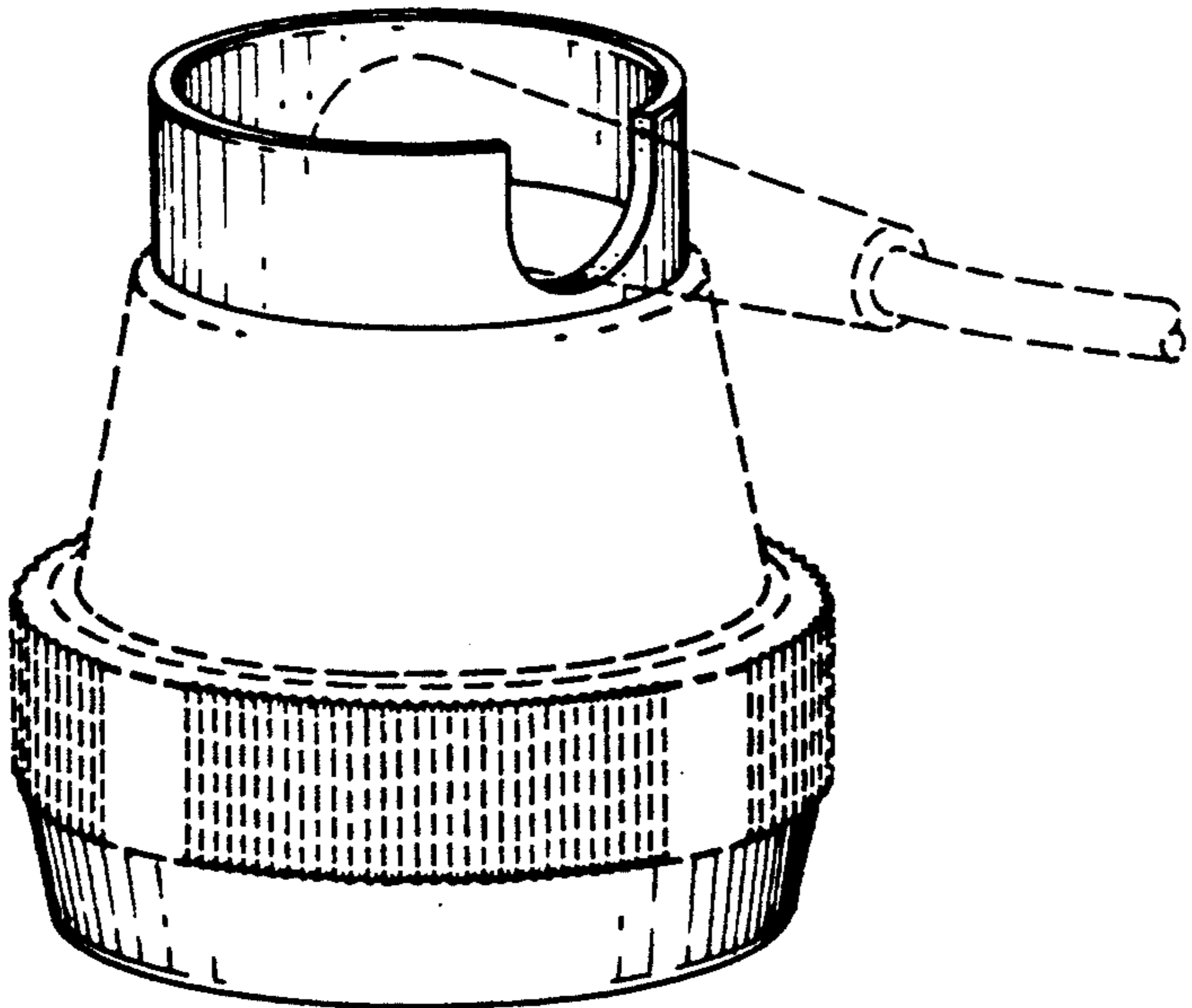
#### U.S. PATENT DOCUMENTS

D. 311,007	10/1990	Daido	.....	D14/205
D. 314,574	2/1991	Kato	.....	D14/205
D. 316,550	4/1991	Sogabe	.....	D14/205
D. 318,473	7/1991	Miyashita et al.	.....	D14/205
D. 318,670	7/1991	Taniguchi	.....	D14/205
D. 318,865	8/1991	Ichikawa	.....	D14/205
2,337,953	12/1943	Wirsching	.....	D14/205
4,668,842	5/1987	Yokoyama et al.	.....	381/183

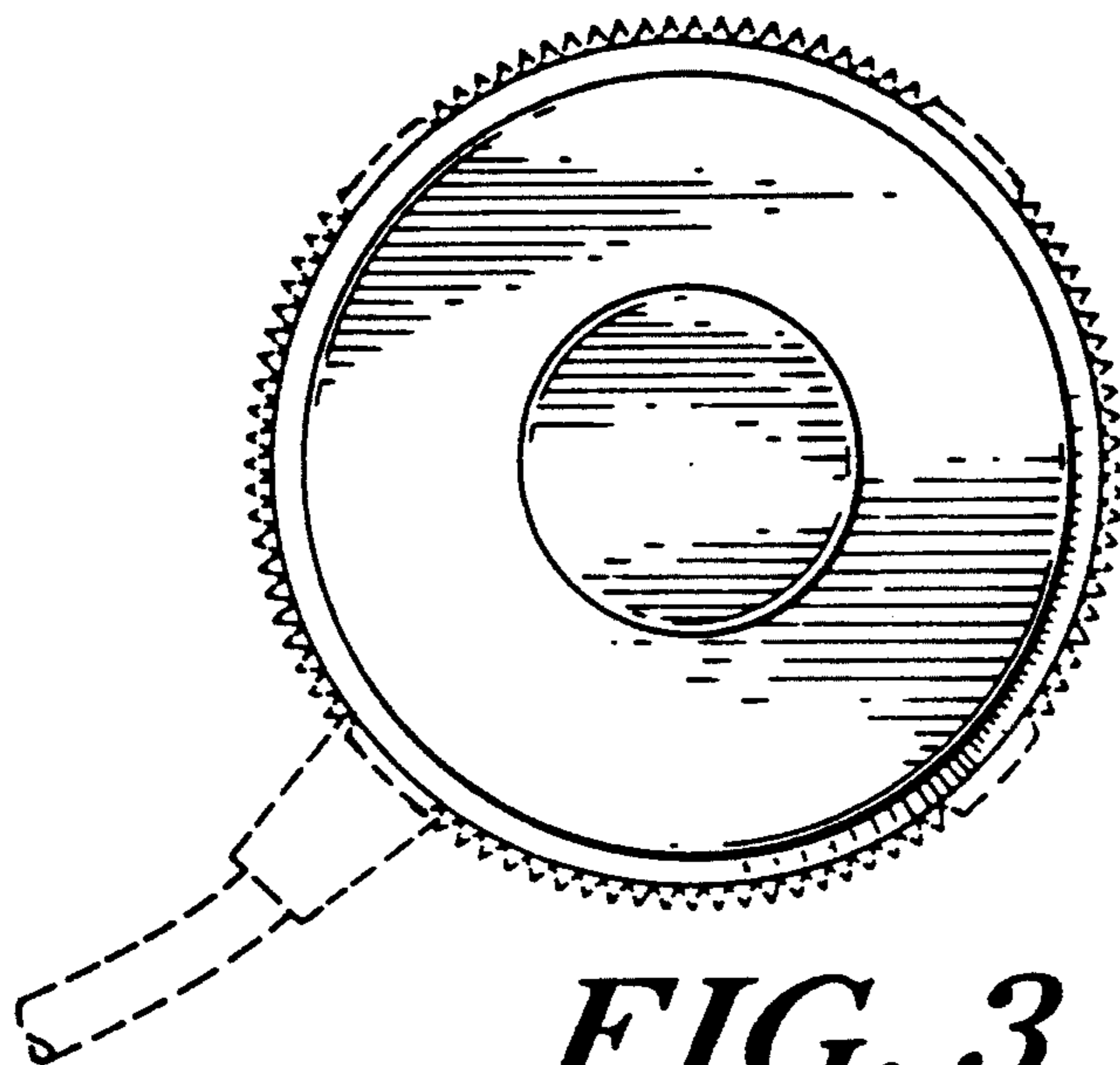




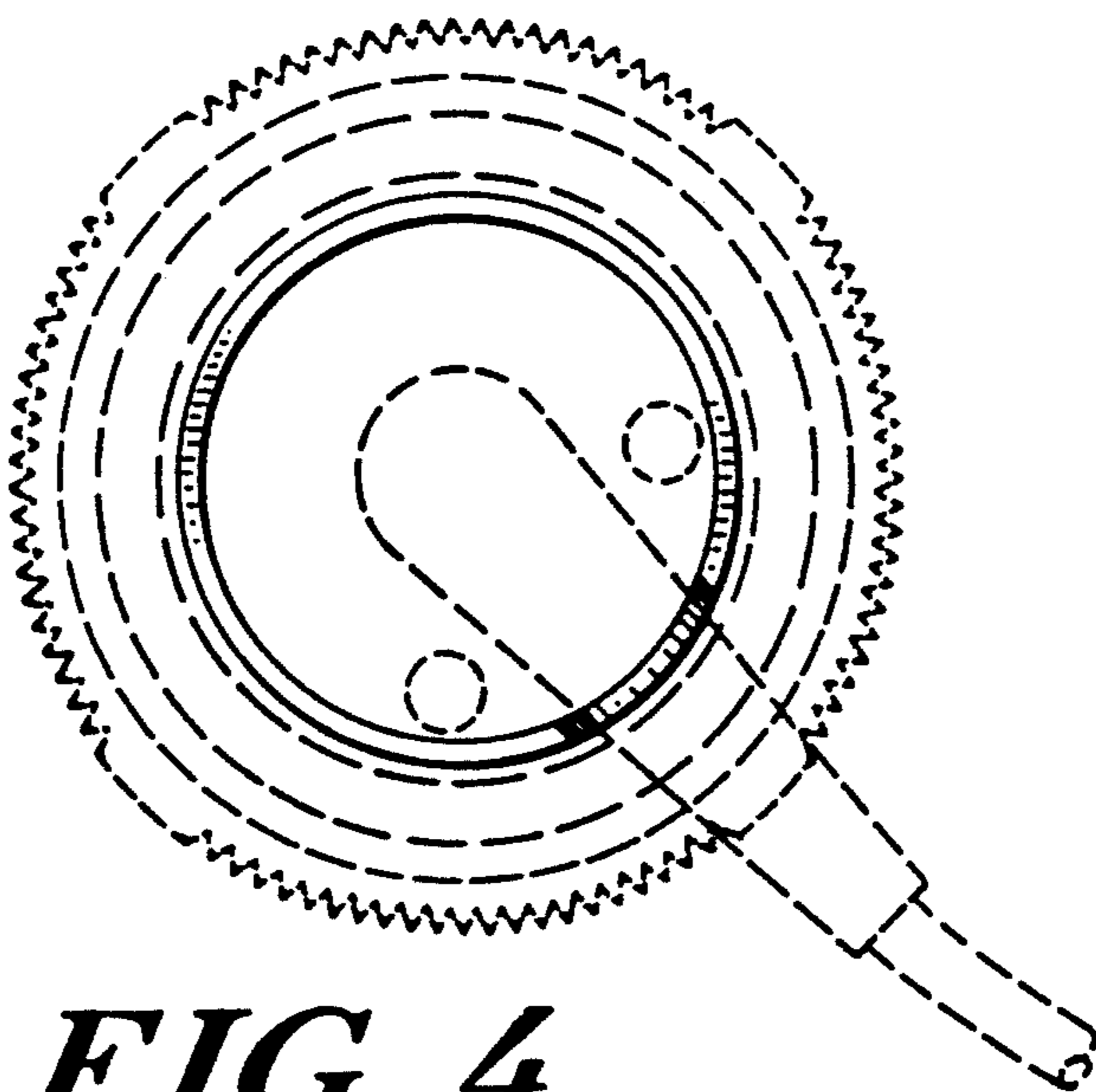
*FIG. 1*



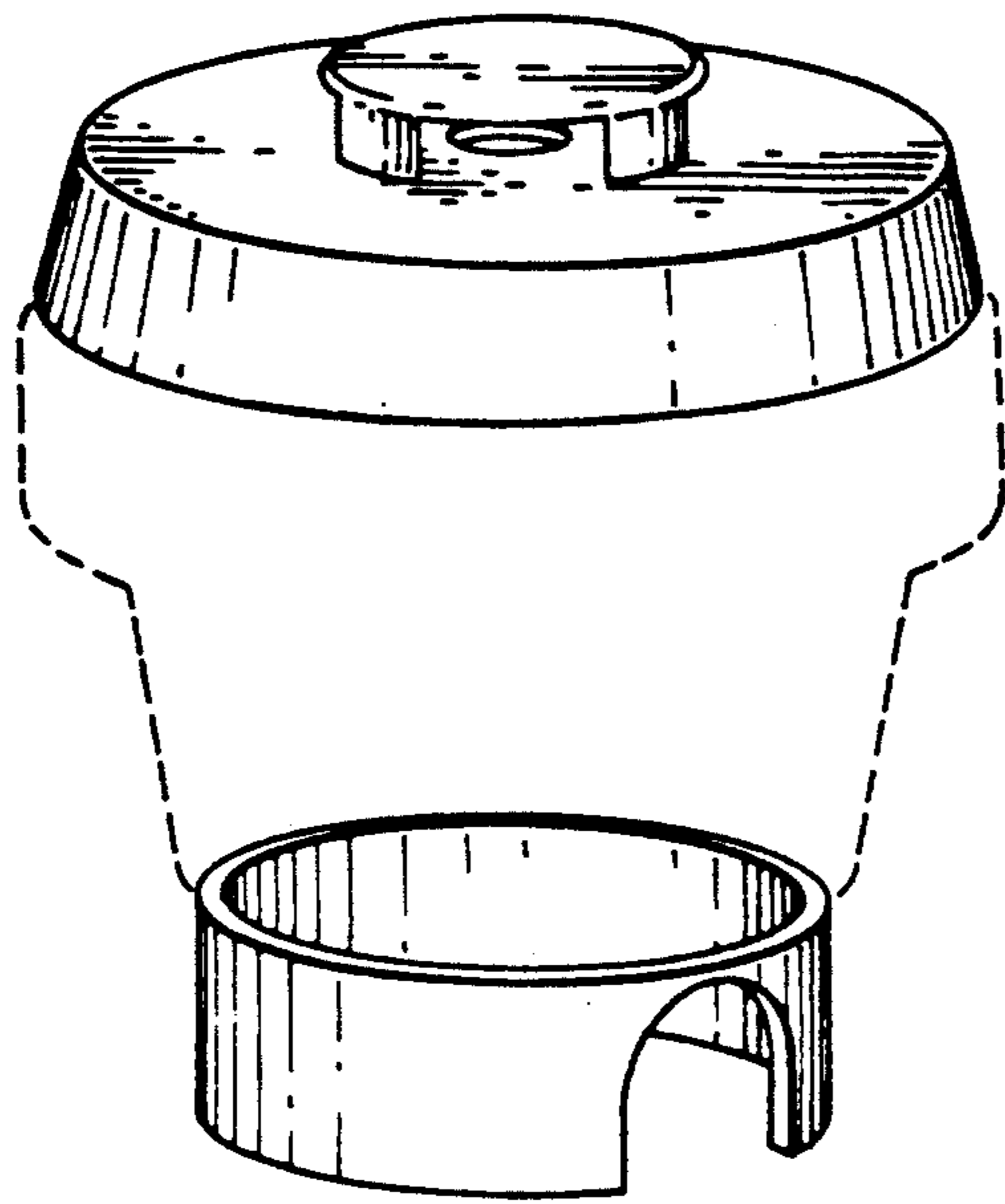
*FIG. 2*



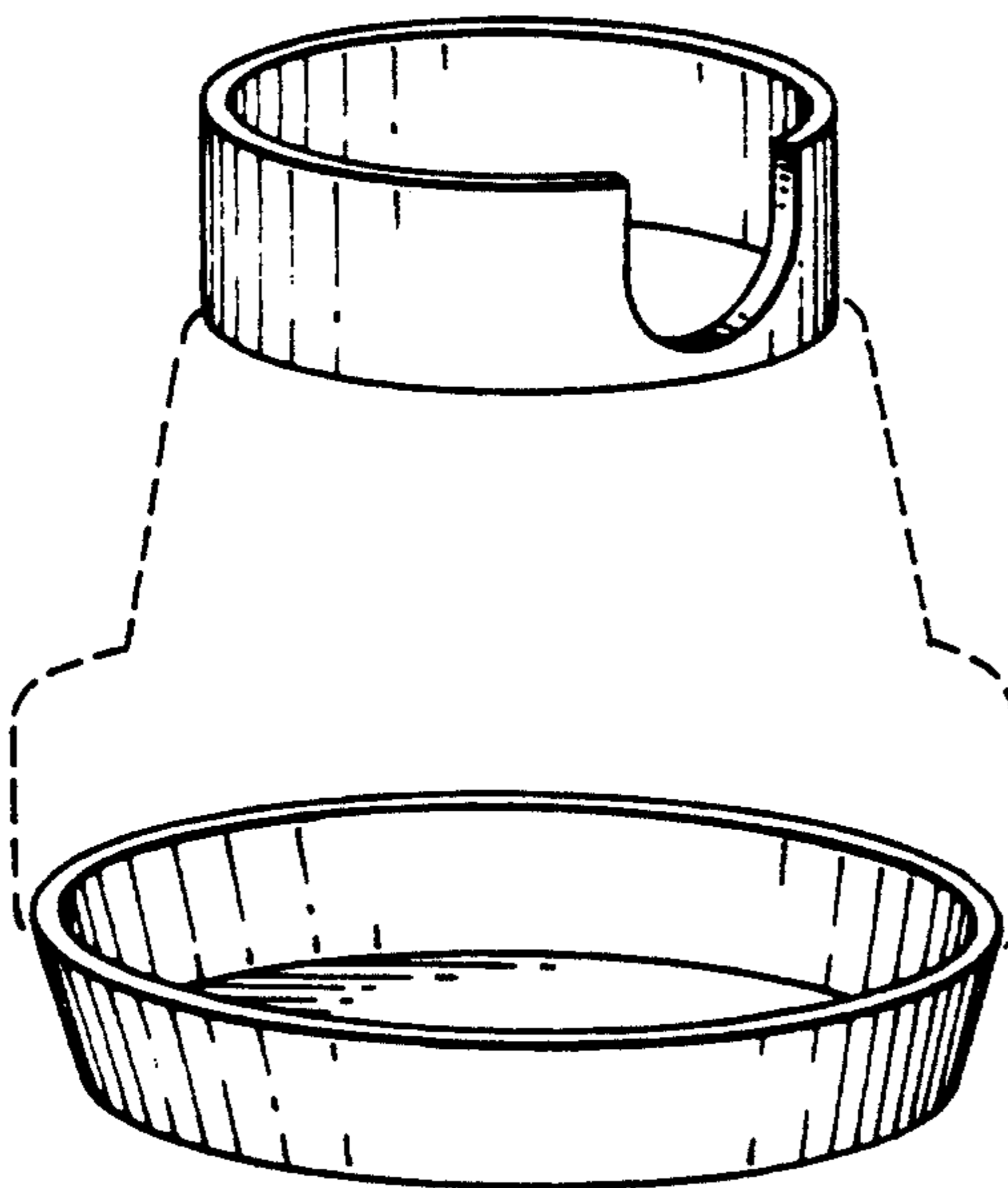
**FIG. 3**



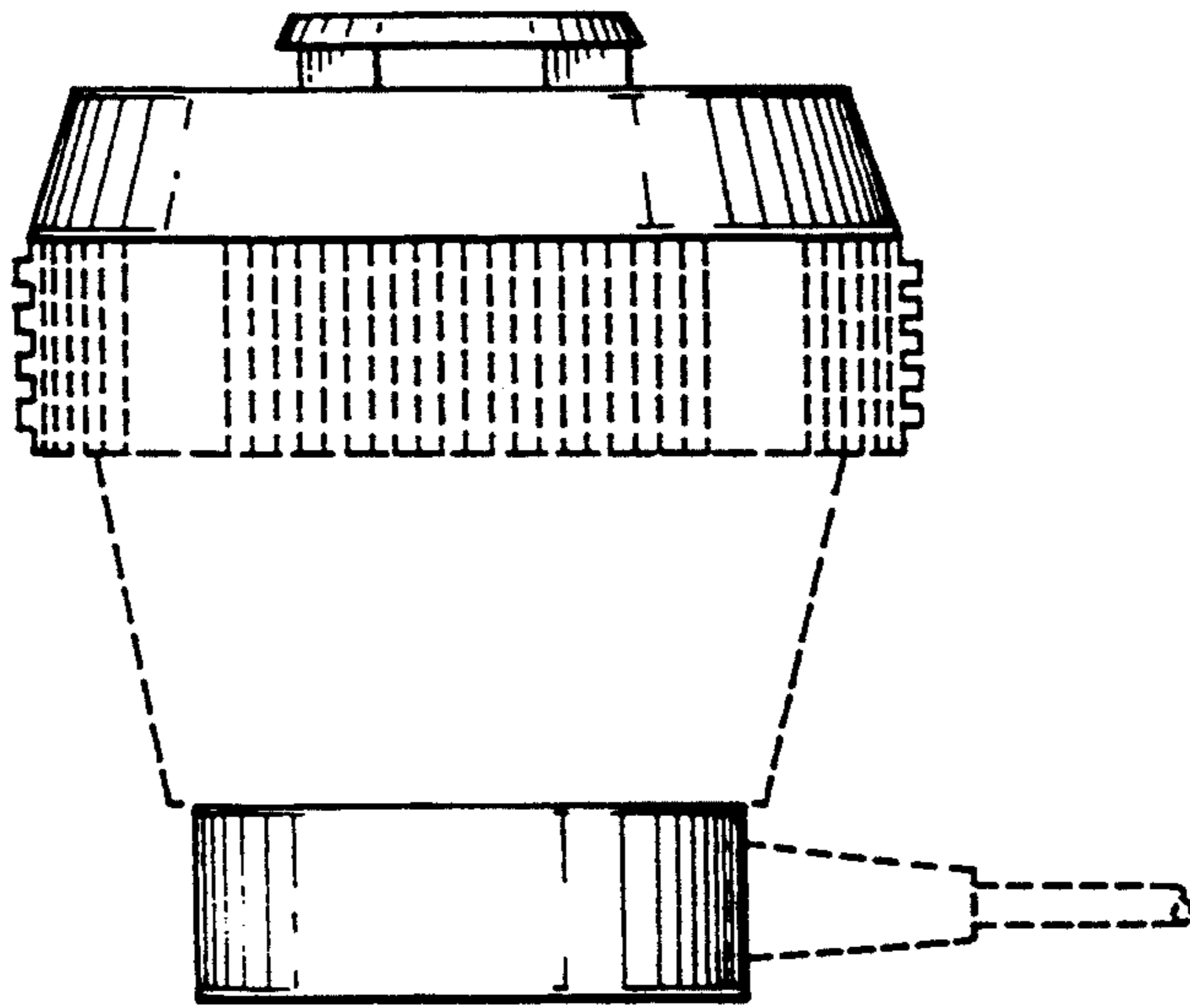
**FIG. 4**



*FIG. 5*



*FIG. 6*



***FIG. 7***