



US00D348063S

United States Patent [19]

[11] Patent Number: **Des. 348,063**

Honma et al.

[45] Date of Patent: **** Jun. 21, 1994**

[54] MICROWAVE RECEIVER/TRANSMITTER

D. 234,921 4/1975 Koster et al. D14/155 X
D. 338,845 8/1993 Rohrs D10/106
3,374,433 3/1968 Harrison et al. 324/95

[75] Inventors: **Tomoyuki Honma; Tetsuya Nagata,**
both of Tokyo, Japan

Primary Examiner—Melvin B. Feifer
Assistant Examiner—Richelle Shelton
Attorney, Agent, or Firm—Sughrue, Mion, Zinn,
Macpeak & Seas

[73] Assignee: **NEC Corporation, Tokyo, Japan**

[**] Term: **14 Years**

[21] Appl. No.: **847,251**

[57] CLAIM

[22] Filed: **Mar. 9, 1992**

The ornamental design for a microwave receiver/transmitter, as shown and described.

[30] Foreign Application Priority Data

Sep. 17, 1991 [JP] Japan 3-28044

DESCRIPTION

[52] U.S. Cl. **D14/155**

[58] Field of Search 359/152, 153, 169, 170,
359/172; 324/95; D14/155, 188, 189, 190, 191,
299

FIG. 1 is a front, top and right side perspective view of a microwave receiver/transmitter showing our new design;

FIG. 2 is a front elevational view thereof;

FIG. 3 is a rear elevational view thereof;

FIG. 4 is a top plan view thereof;

FIG. 5 is a bottom plan view thereof; and,

FIG. 6 is a right side elevational view, the opposite side being a mirror image thereof.

[56] References Cited

U.S. PATENT DOCUMENTS

D. 178,076 6/1956 Meserow D14/191

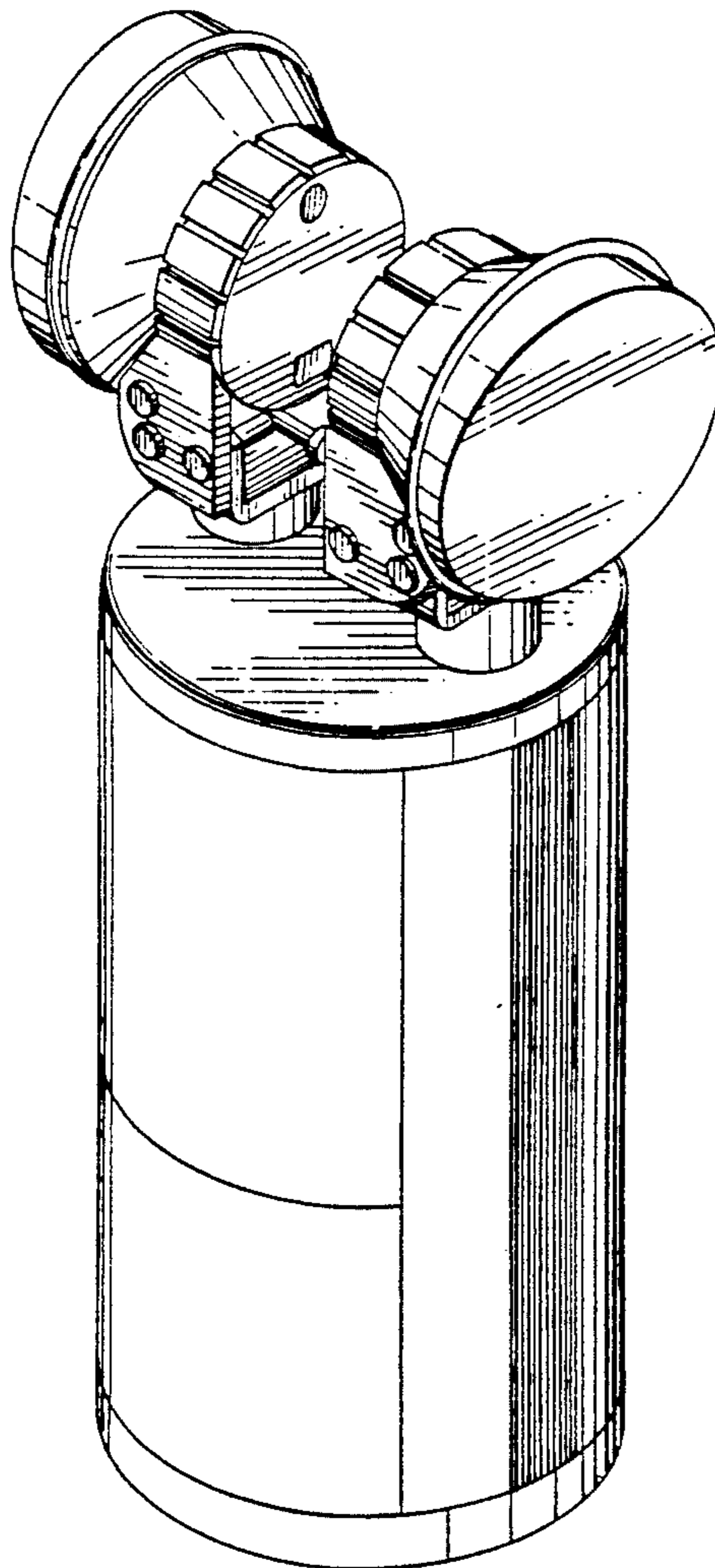


FIG. 1

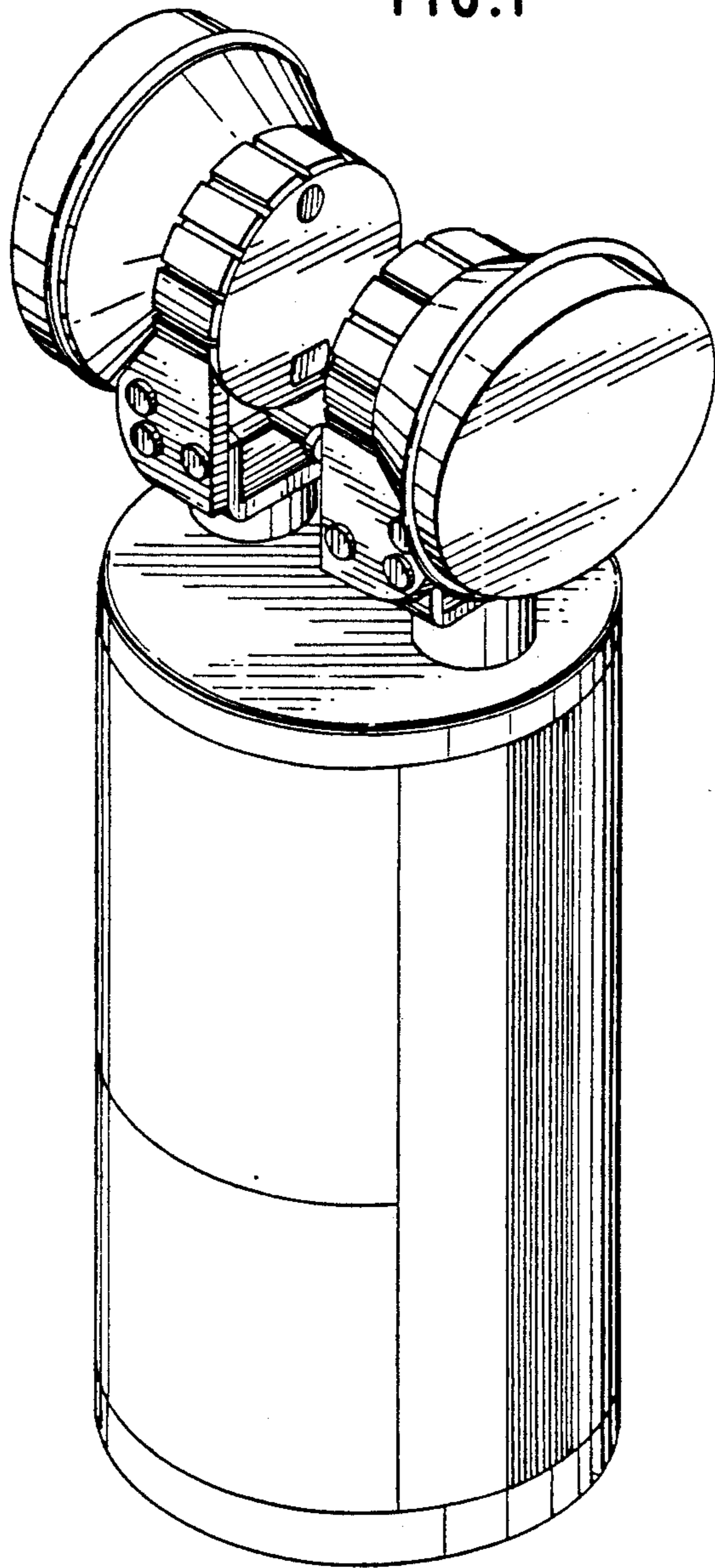


FIG. 2

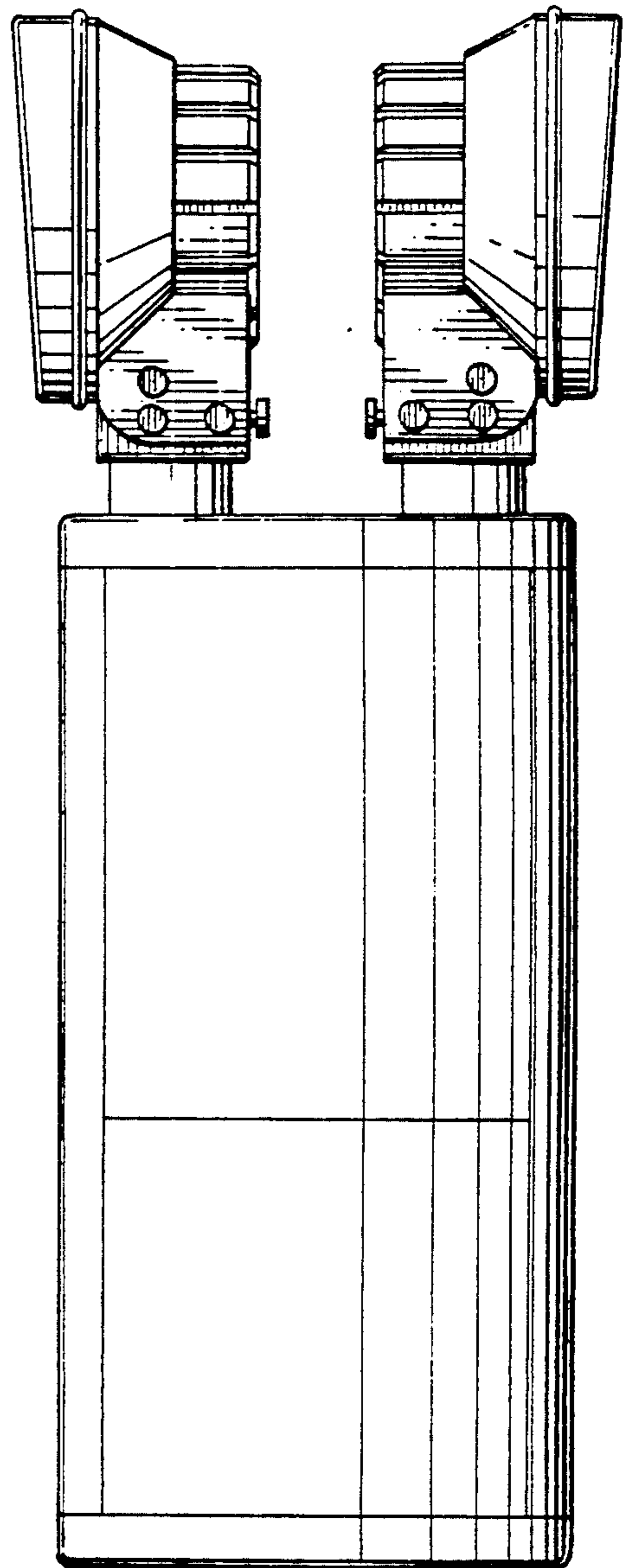


FIG. 4

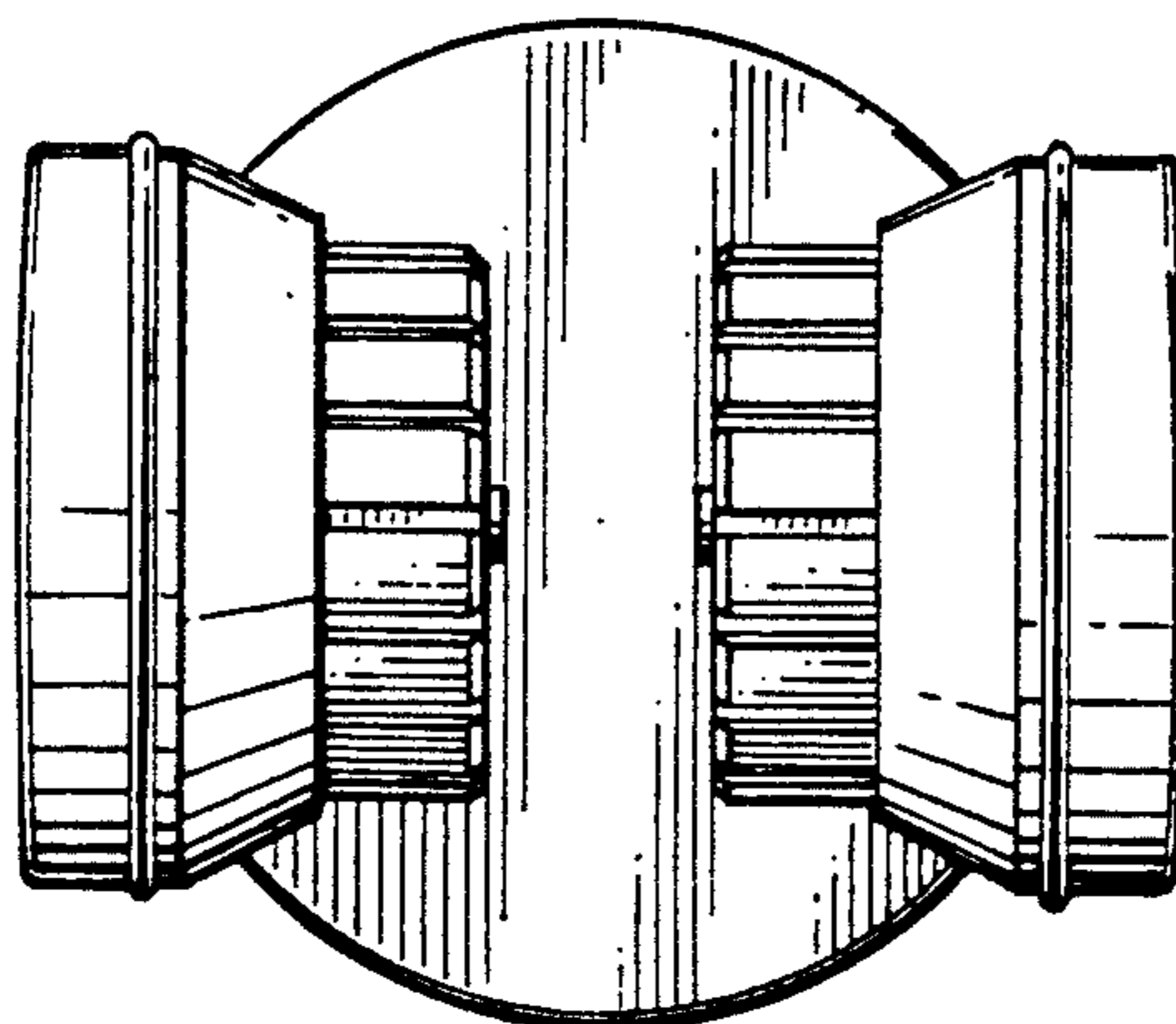


FIG. 3

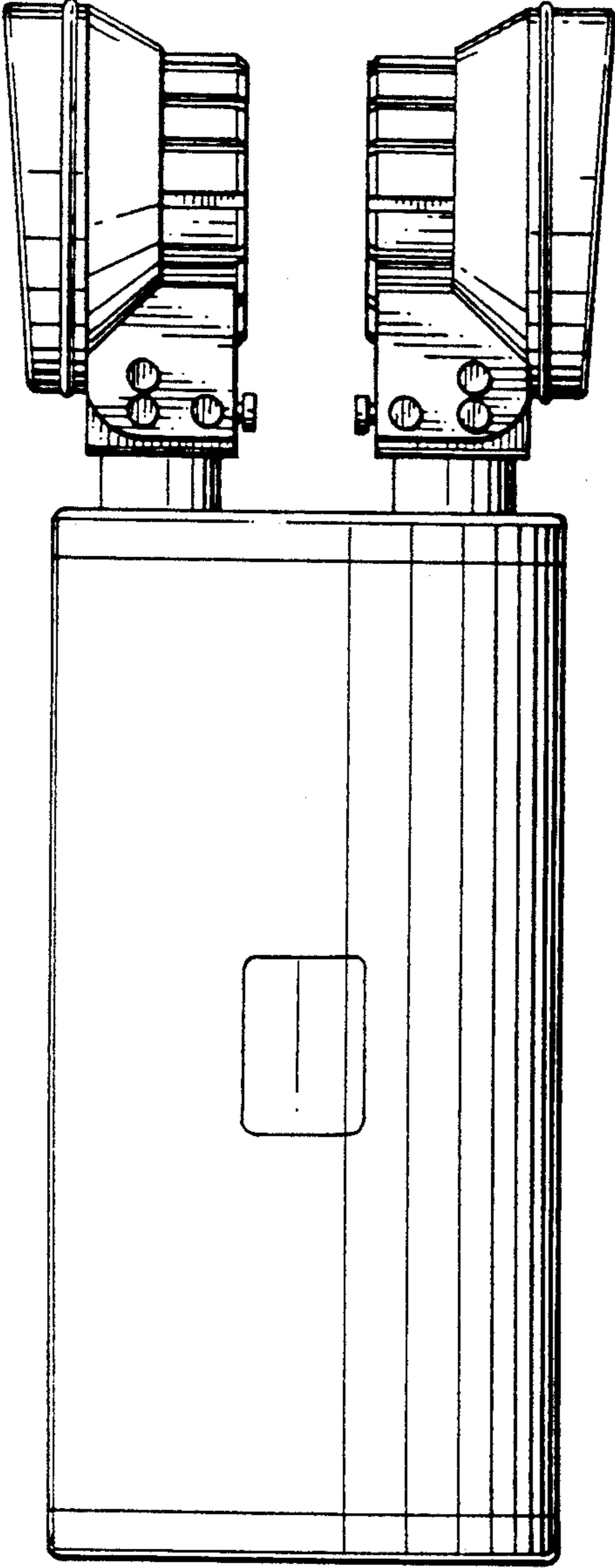


FIG. 6

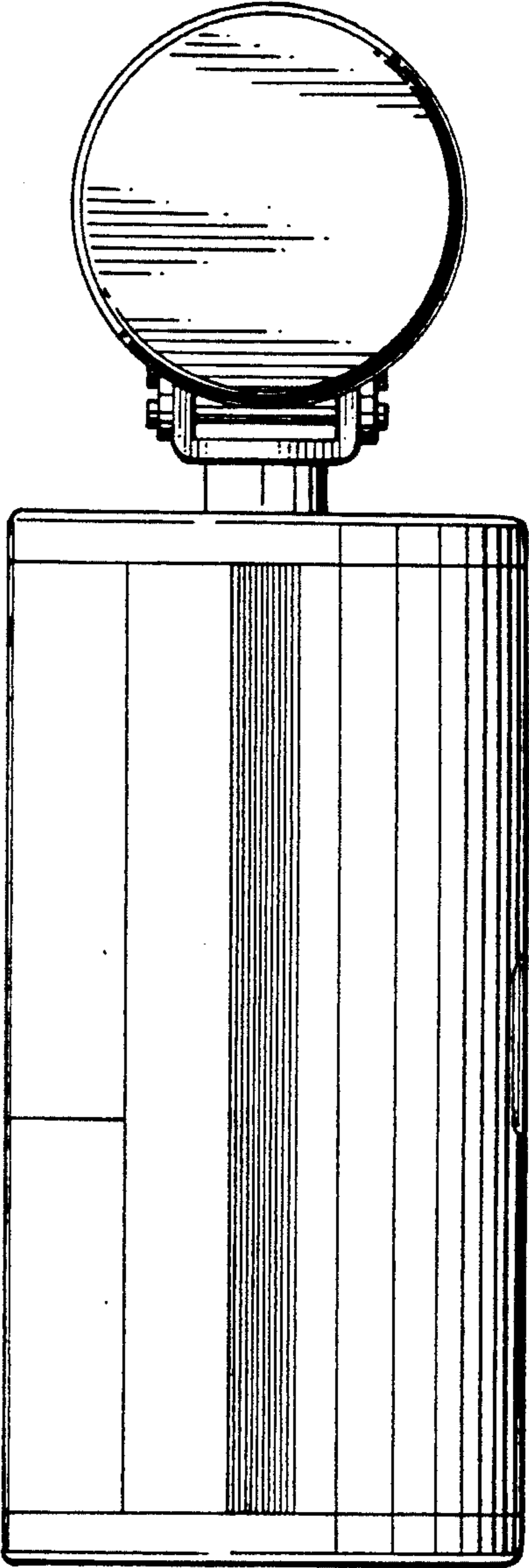


FIG. 5

