



US00D348058S

United States Patent [19]

[11] Patent Number: **Des. 348,058**

McGrath et al.

[45] Date of Patent: **** Jun. 21, 1994**

[54] **FRONT PANEL FOR A COMPUTER**

D. 340,046 10/1993 Chu D14/115
D. 340,449 10/1993 Chu D14/115

[75] Inventors: **Michael C. McGrath, Pleasanton;**
Timothy O. Avery, San Jose;
Lawrence Lee, Jr., Mountain View,
all of Calif.

Primary Examiner—Susan J. Lucas
Assistant Examiner—Freda S. Nunn
Attorney, Agent, or Firm—Pillsbury Madison & Sutro

[73] Assignee: **Avatar Systems Corporation,**
Milpitas, Calif.

[57] **CLAIM**

[**] Term: **14 Years**

The ornamental design for a front panel for a computer, as shown and described.

[21] Appl. No.: **1,259**

DESCRIPTION

[22] Filed: **Nov. 9, 1992**

[52] U.S. Cl. **D14/115**

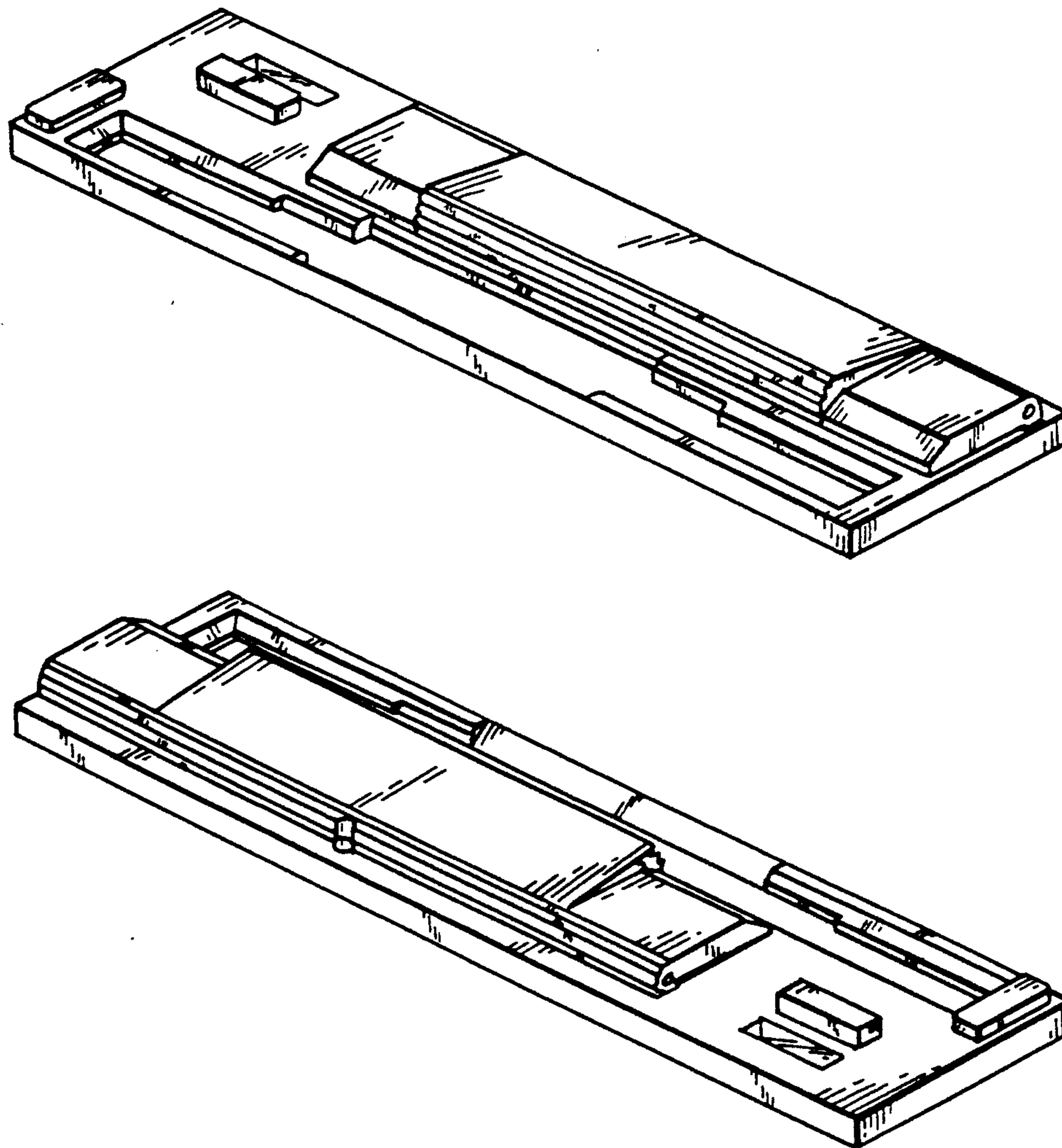
[58] Field of Search 312/223.2; 361/390,
361/395; D14/100, 102, 107-109, 115, 258;
D13/162, 184, 199

FIG. 1 is an enlarged front elevational view of a front panel for a computer showing our new design; FIG. 2 is a top front and left side perspective view thereof; FIG. 3 is a bottom front and right side perspective view thereof; FIG. 4 is a top front and right side perspective view thereof; and, FIG. 5 is a bottom front and left side perspective view thereof.
The undisclosed rear is flat and unornamented.

[56] **References Cited**

U.S. PATENT DOCUMENTS

D. 314,568 2/1991 Martin D14/115
D. 331,047 11/1992 Herrick D14/115



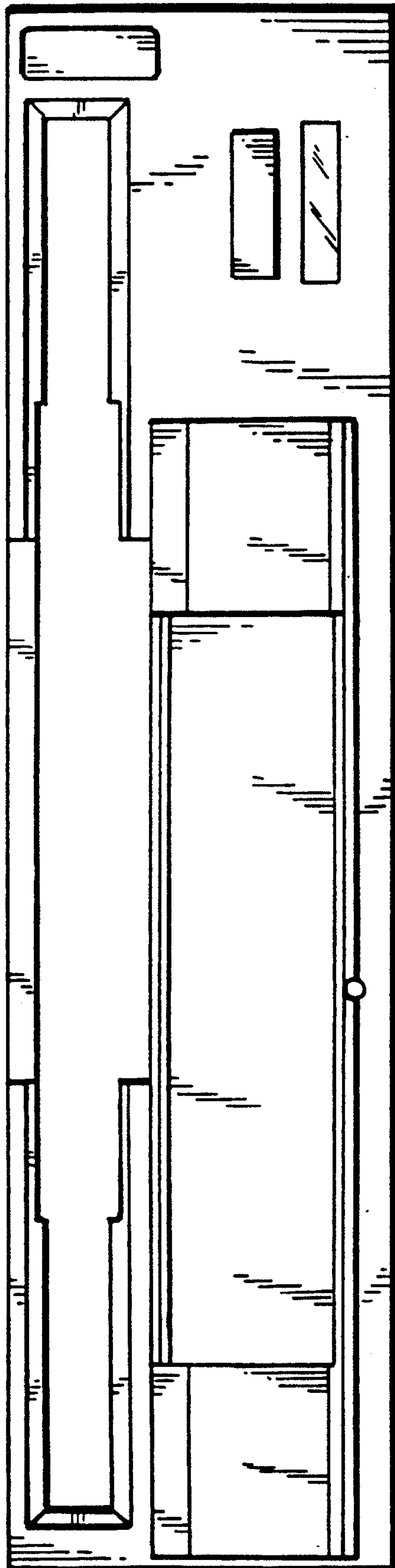


FIG. 1.

