



US00D348055S

United States Patent [19]

[11] Patent Number: Des. 348,055

Basco et al.

[45] Date of Patent: ** Jun. 21, 1994

[54] TOUCHSCREEN ADAPTOR FOR A COMPUTER MONITOR

[75] Inventors: Jose P. Basco, West Palm Beach; Joseph E. Jasinski, Delray Beach; David A. Nesbitt, Boca Raton, all of Fla.

[73] Assignee: International Business Machines Corporation, Armonk, N.Y.

[**] Term: 14 Years

[21] Appl. No.: 778,715

[22] Filed: Oct. 18, 1991

[52] U.S. Cl. D14/113; D14/114

[58] Field of Search 178/18, 19; 340/700, 340/706, 707, 709, 712; 358/249, 254; D14/100, 101, 113, 114, 124-127, 239

[56] References Cited

U.S. PATENT DOCUMENTS

Re. 33,151	1/1990	Adler	178/18 X
D. 277,182	1/1985	Matsuda et al.	D14/239
4,672,558	6/1987	Beckes et al.	340/712
4,777,482	10/1988	Kaneko et al.	340/700 X
5,162,783	11/1992	Moreno	340/706 X
5,179,369	1/1993	Person et al.	340/712

Primary Examiner—Wallace R. Burke
Assistant Examiner—Freda S. Nunn
Attorney, Agent, or Firm—Bernard D. Bogdon

[57] CLAIM

The ornamental design for a touchscreen adaptor for a computer monitor, as shown and described.

DESCRIPTION

FIG. 1 is a top front and right side perspective view of a touchscreen adaptor for a computer monitor showing our new design;

FIG. 2 is a top front and left side perspective view thereof;

FIG. 3 is a front view thereof;

FIG. 4 is an enlarged left side view thereof;

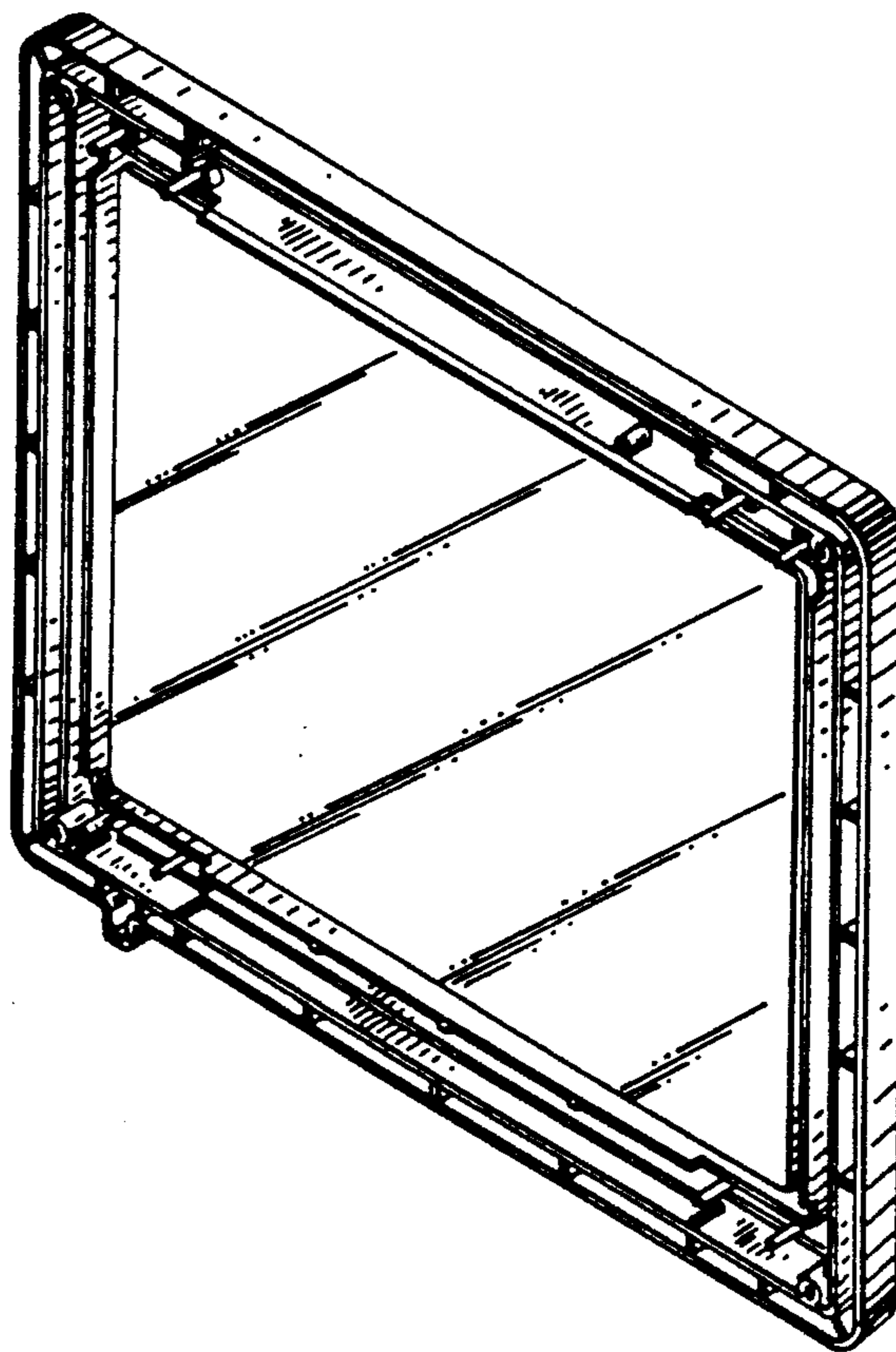
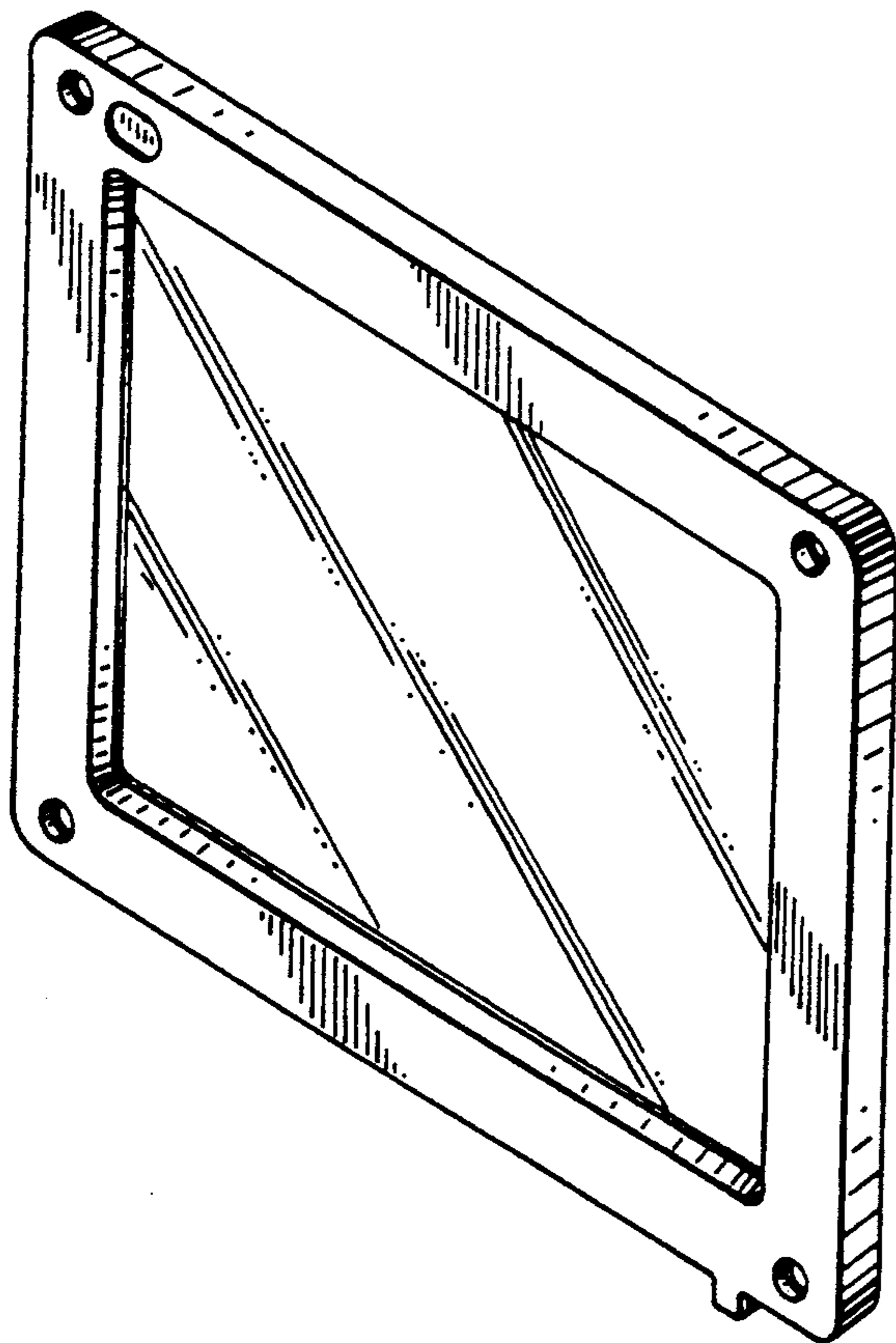
FIG. 5 is an enlarged right side view thereof;

FIG. 6 is a rear view thereof;

FIG. 7 is a top rear and right side perspective view thereof;

FIG. 8 is a top rear and left side perspective view thereof; and,

FIG. 9 is a reduced top front and right side perspective view thereof with a computer monitor being shown in broken lines for illustrative purposes only and forming no part of the claimed design.



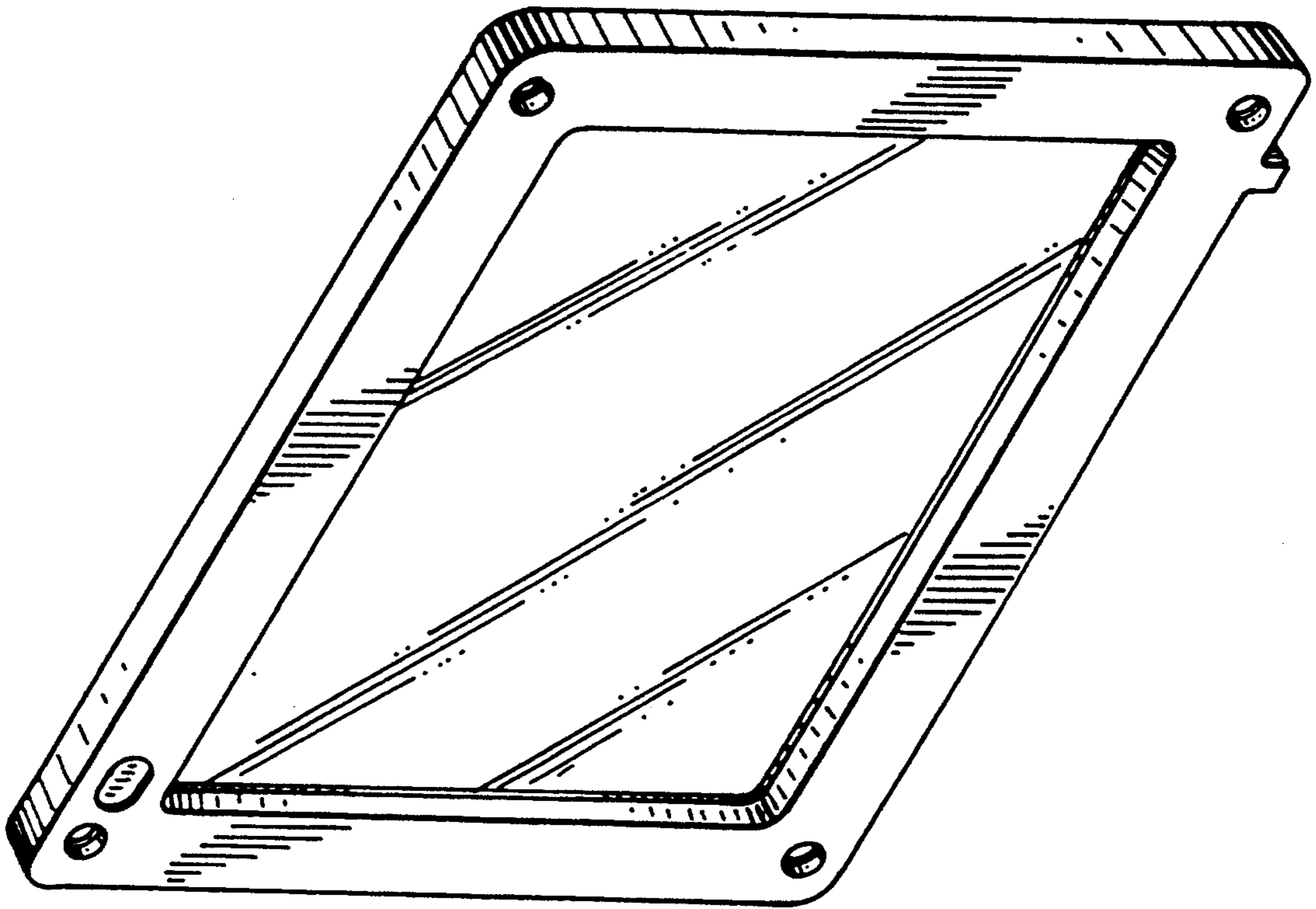


FIG. 1

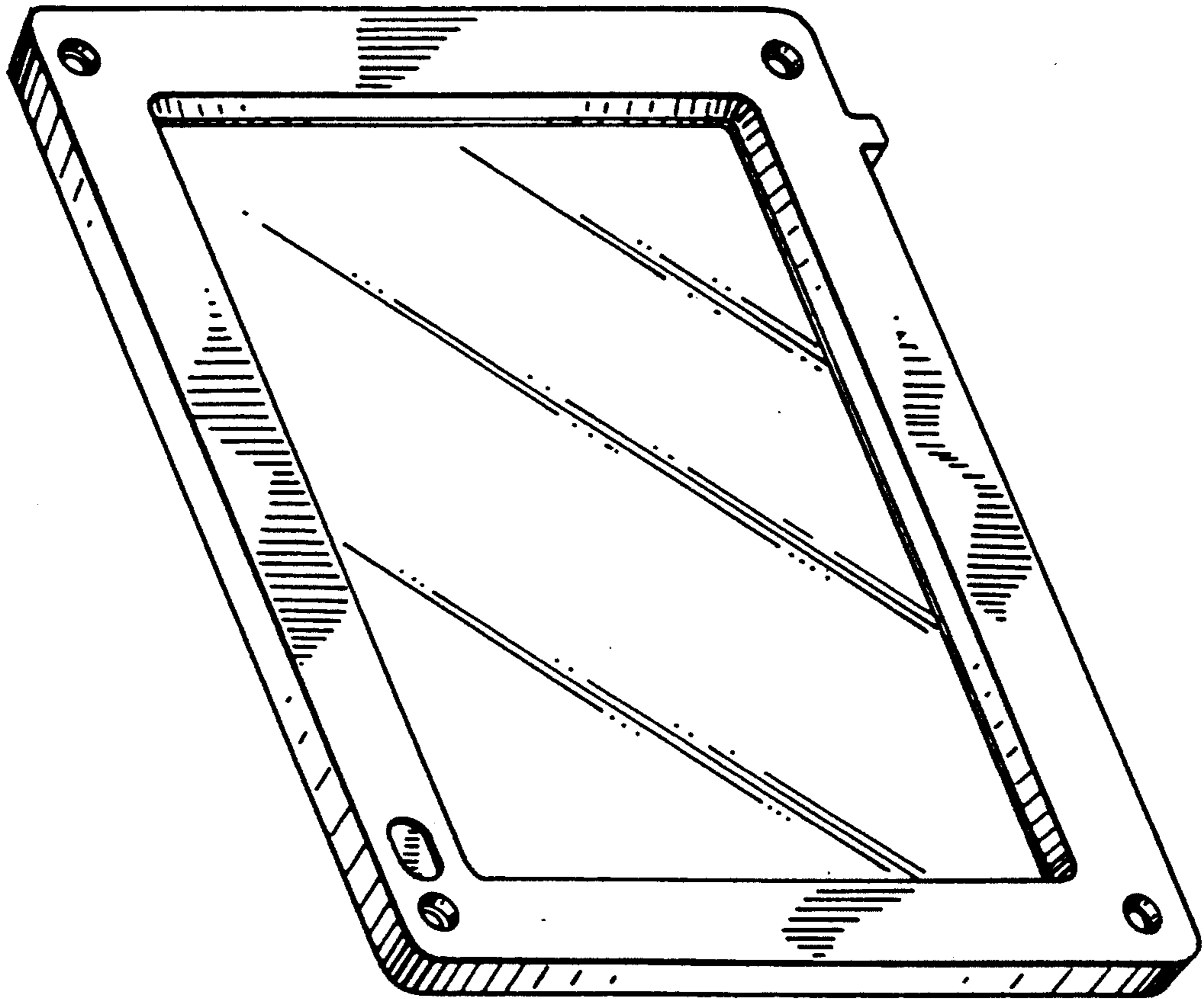


FIG. 2

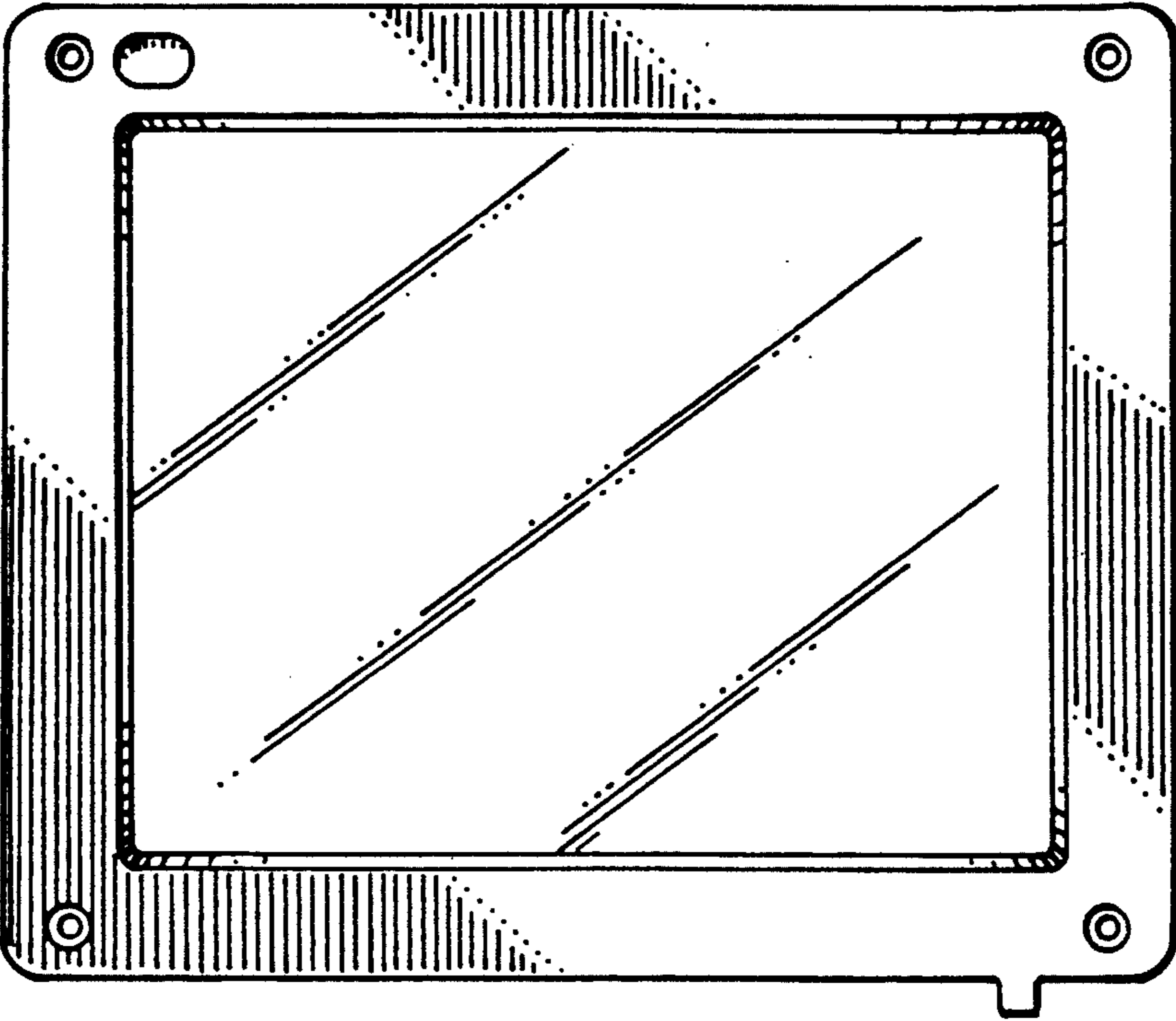


FIG. 3

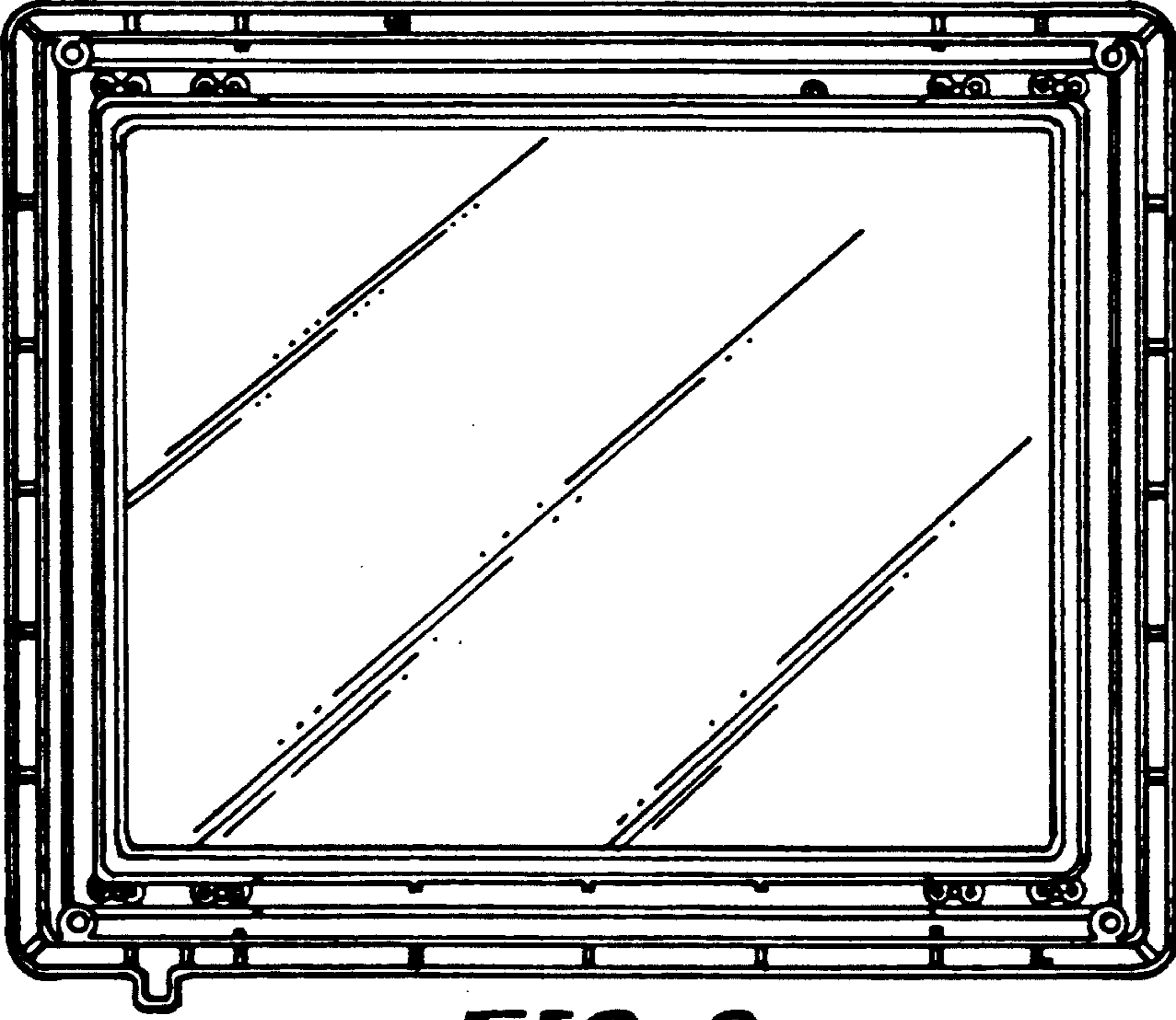


FIG. 6

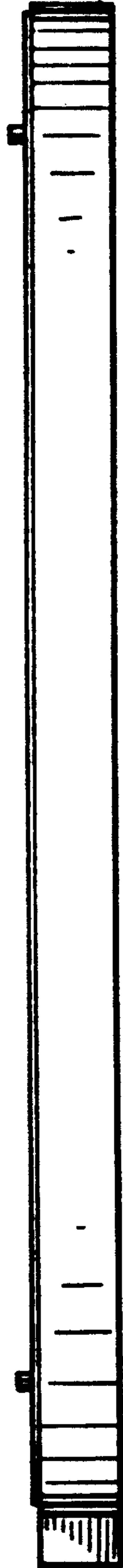


FIG. 4

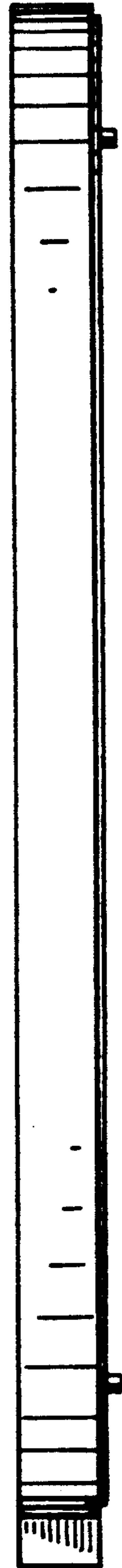


FIG. 5

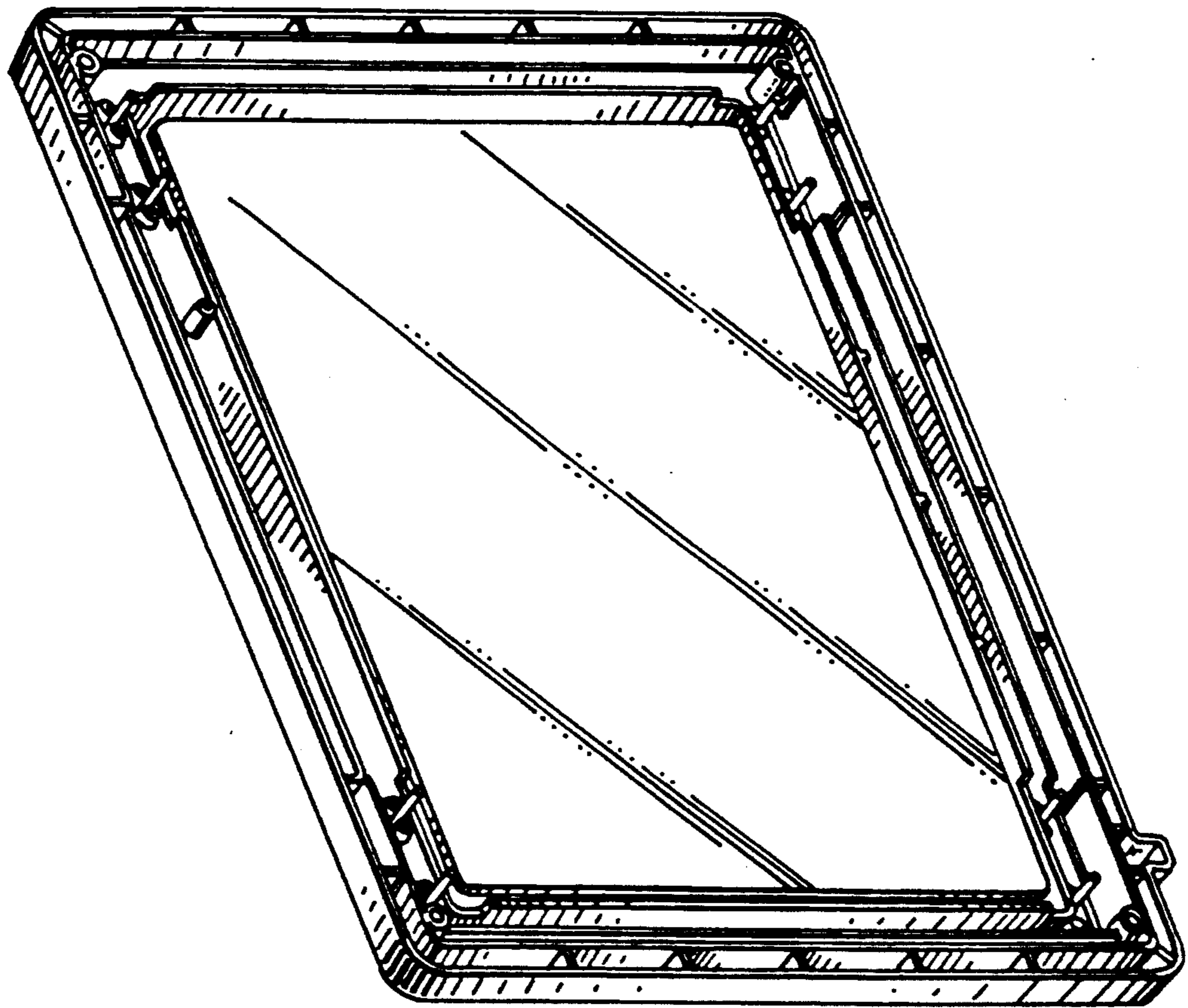


FIG. 7

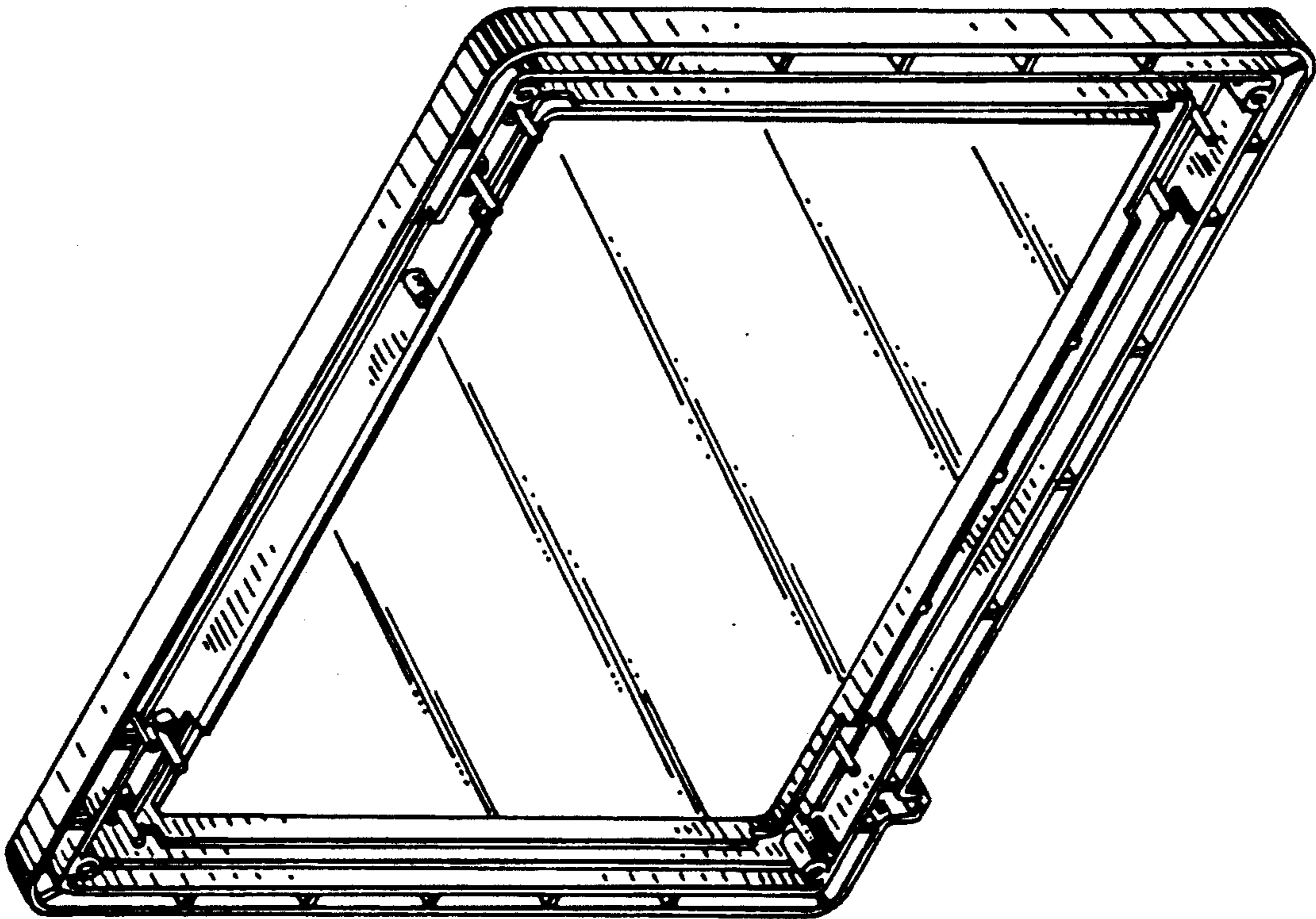


FIG. 8

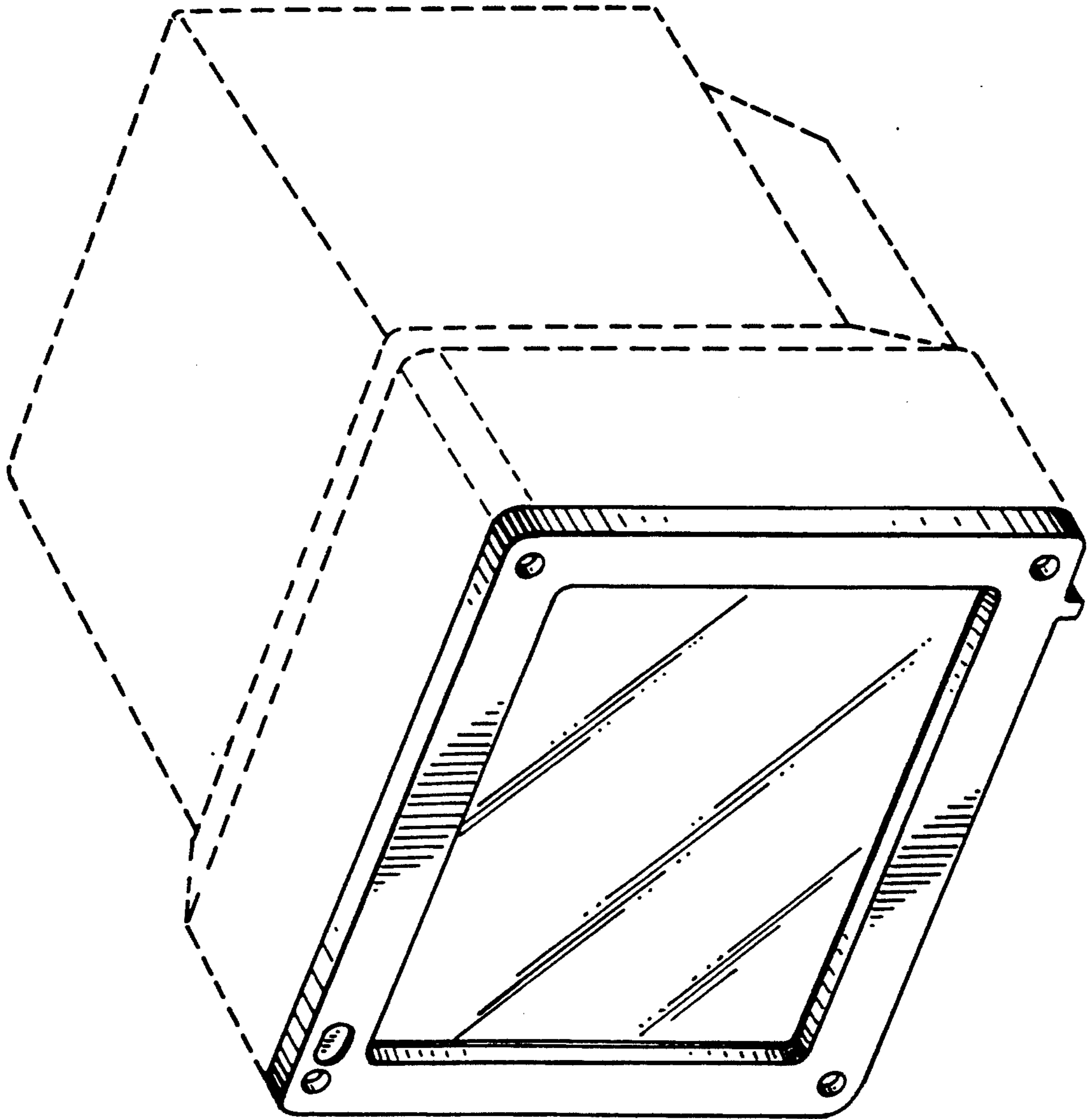


FIG. 9