



US00D348048S

United States Patent [19]

[11] Patent Number: **Des. 348,048**

Marach et al.

[45] Date of Patent: **** Jun. 21, 1994**

[54] **FUSED ELECTRICAL POWER DISCONNECT**

4,958,254 9/1990 Kidd et al. 361/119

[75] Inventors: **David R. Marach, Marengo; Conrad Alfaro, Chicago; Lawrence Happ, Mundelein, all of Ill.**

FOREIGN PATENT DOCUMENTS

0266966 12/1968 Fed. Rep. of Germany 337/10

[73] Assignee: **Cooper Industries, Inc., Houston, Tex.**

Primary Examiner—Wallace R. Burke

Assistant Examiner—J. Sincavage

Attorney, Agent, or Firm—Laff, Whitesel, Conte & Saret

[*] Notice: The portion of the term of this patent subsequent to May 10, 2008 has been disclaimed.

[57] CLAIM

The ornamental design for fused electrical power disconnect, as shown and described.

[**] Term: **14 Years**

DESCRIPTION

[21] Appl. No.: **787,975**

FIG. 1 is a front perspective view of a fused electrical power disconnect;

[22] Filed: **Nov. 5, 1991**

FIG. 2 is a rear perspective view thereof;

[52] U.S. Cl. **D13/160**

FIG. 3 is a front elevation view thereof;

[58] Field of Search 361/124, 186, 331, 348, 361/356, 102, 119; 337/4, 6, 10; D13/160, 178, 158

FIG. 4 is a right-hand-side elevation view thereof;

FIG. 5 is a top plan view thereof;

FIG. 6 is a rear elevation view thereof;

FIG. 7 is a left-hand-side elevation view thereof;

FIG. 8 is a bottom plan view thereof; and,

FIG. 9 is a front elevation view of a fused electrical power disconnect showing a second embodiment of our new design, all other views being the same as the first embodiment except for the indicia on the front of the fuse holder.

[56] References Cited

U.S. PATENT DOCUMENTS

D. 313,397 1/1991 Wilcox D13/158

D. 320,783 10/1991 Sharp et al. D13/160

3,806,845 4/1974 Zubaty et al. 361/102 X

4,654,743 3/1987 Ruehl et al. 361/119 X

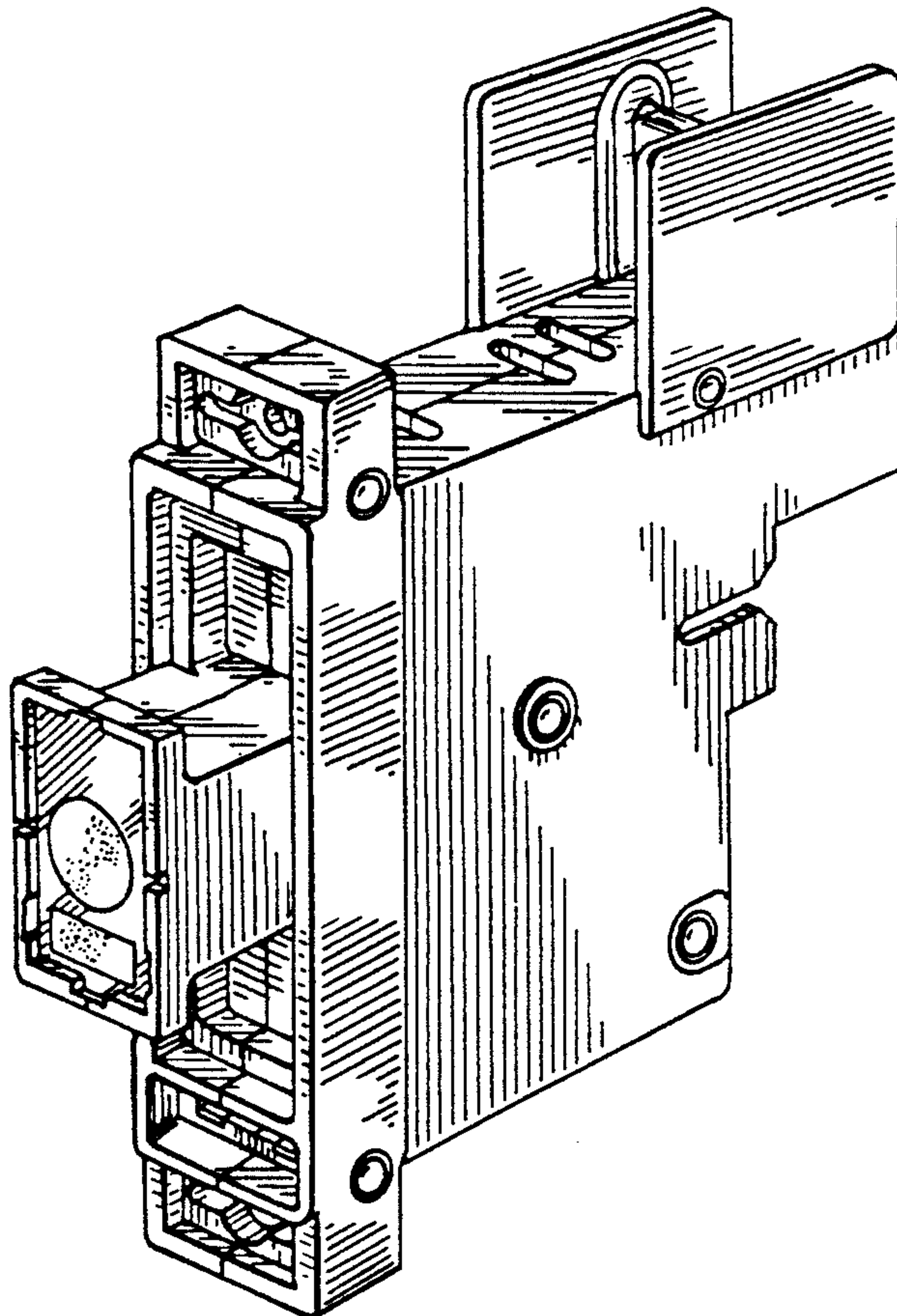


Fig. 1

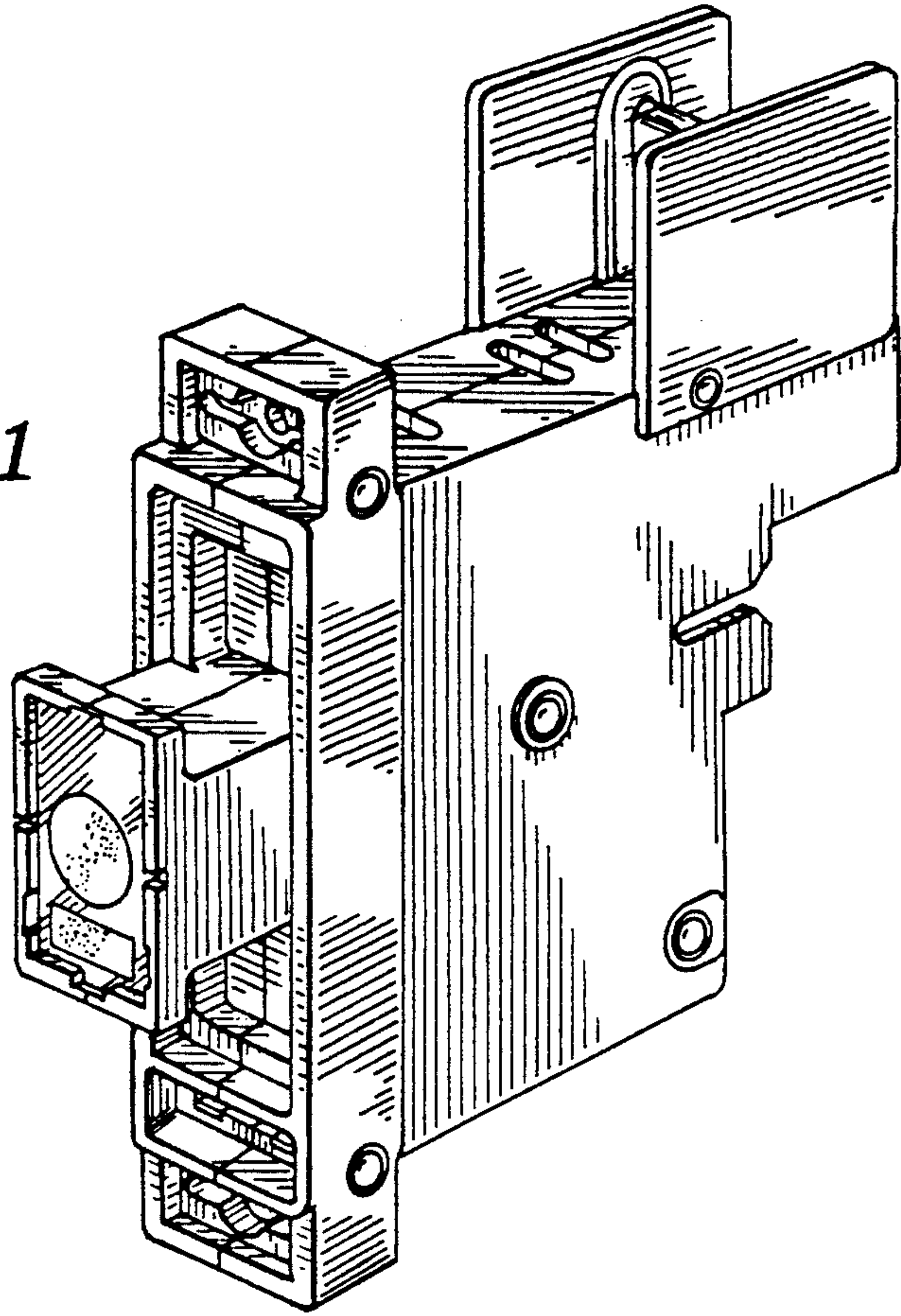


Fig. 2

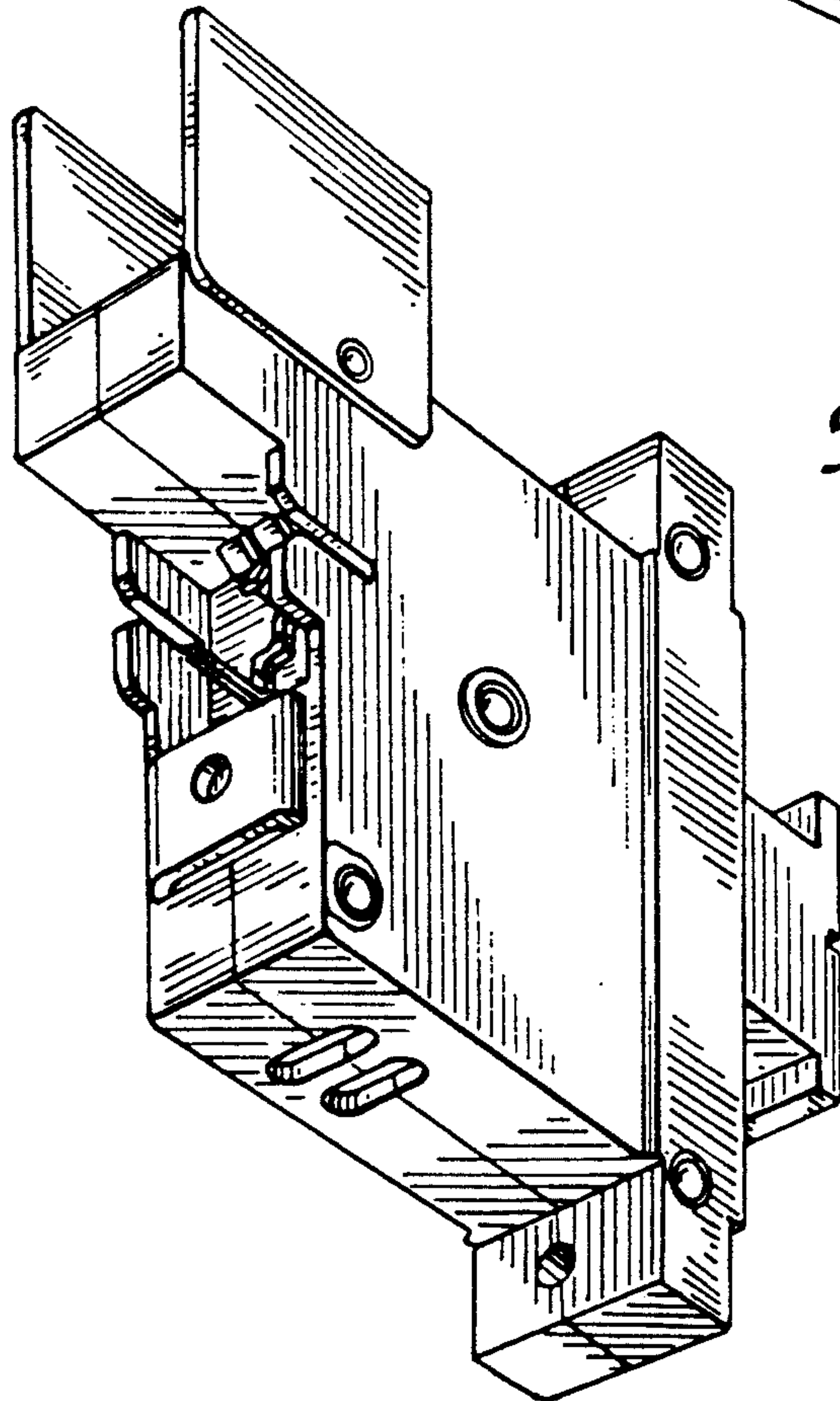


Fig. 5

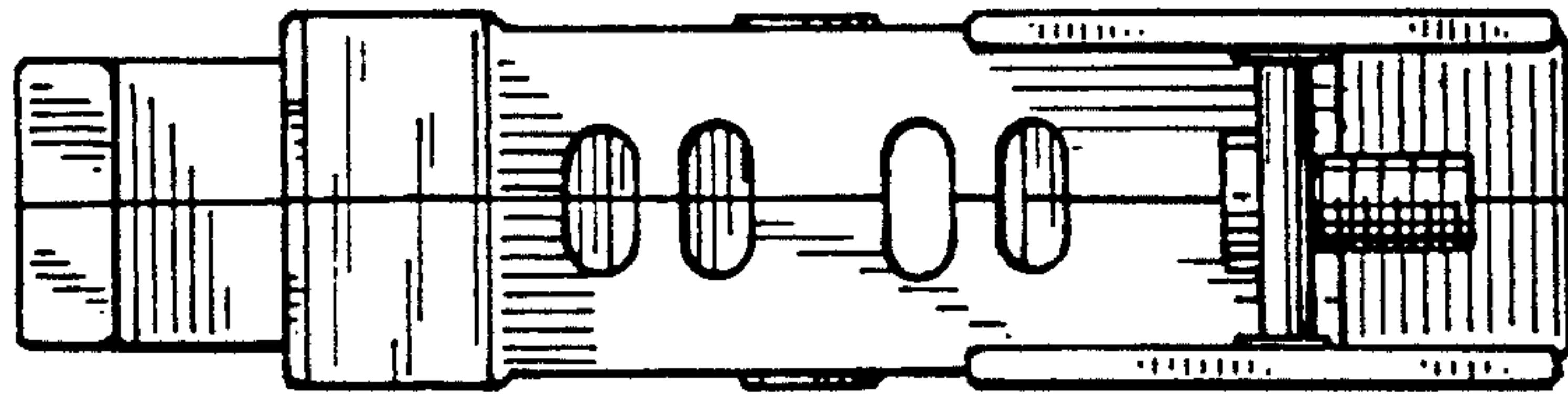


Fig. 3

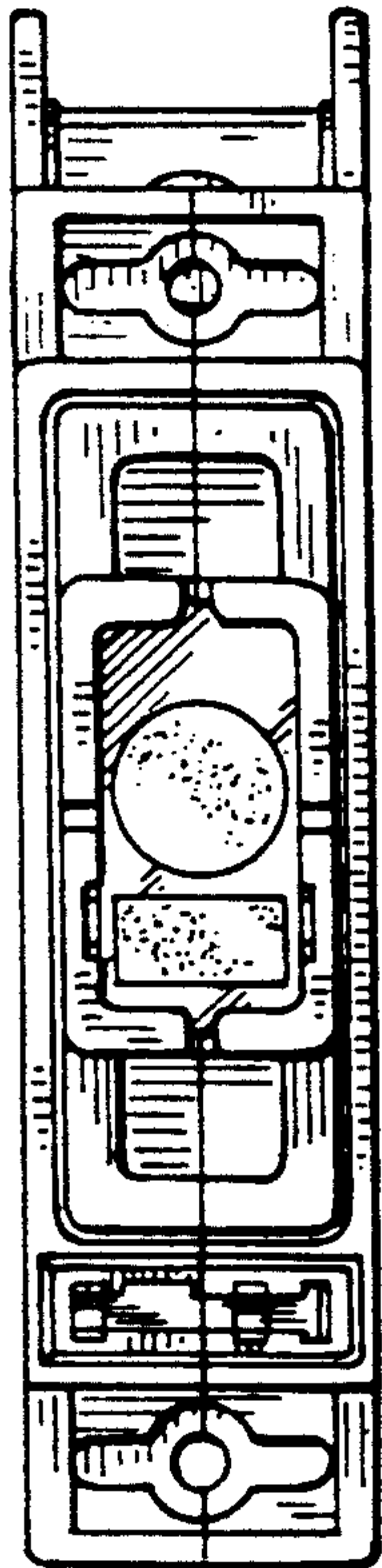


Fig. 4

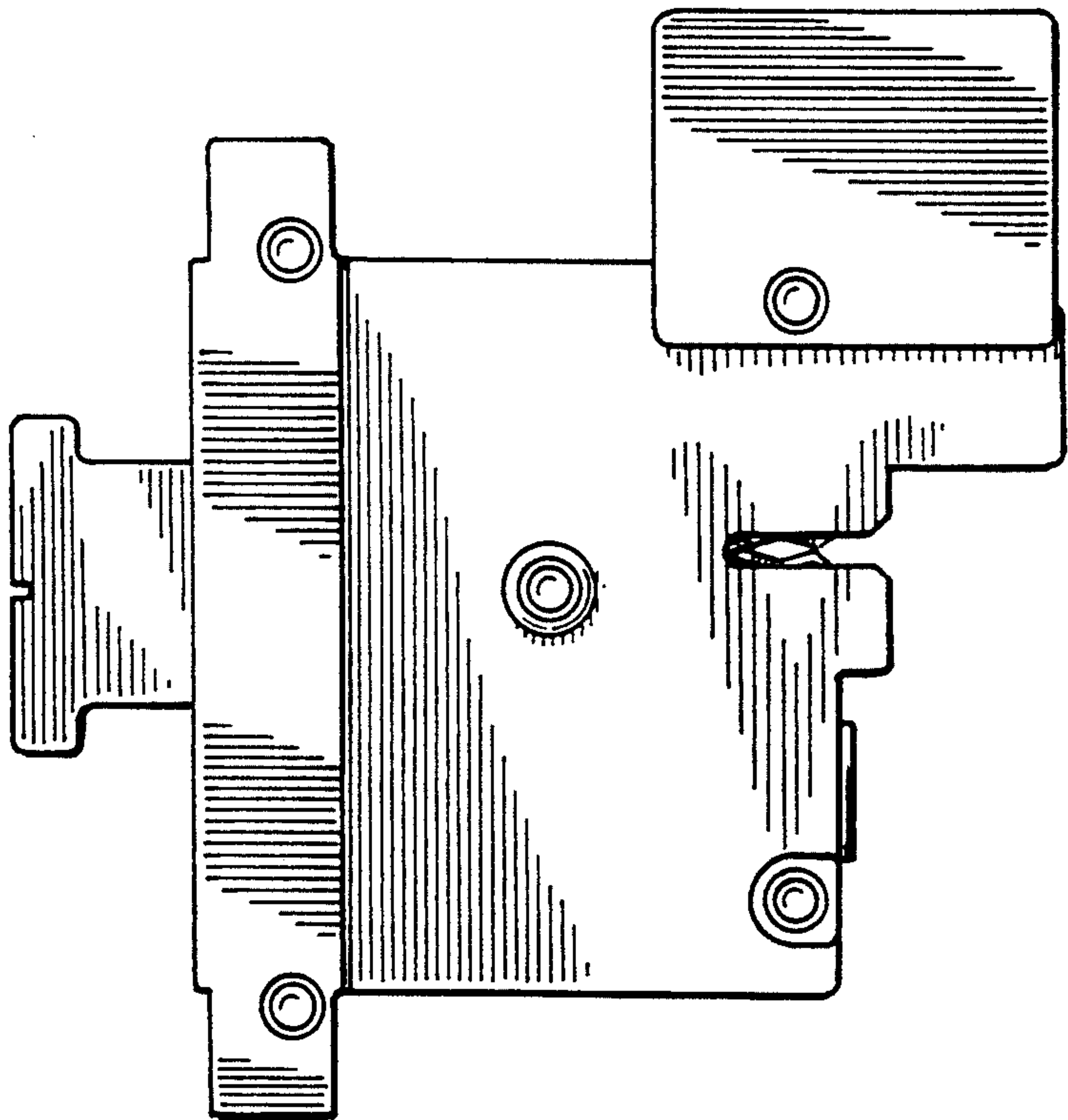


Fig. 6

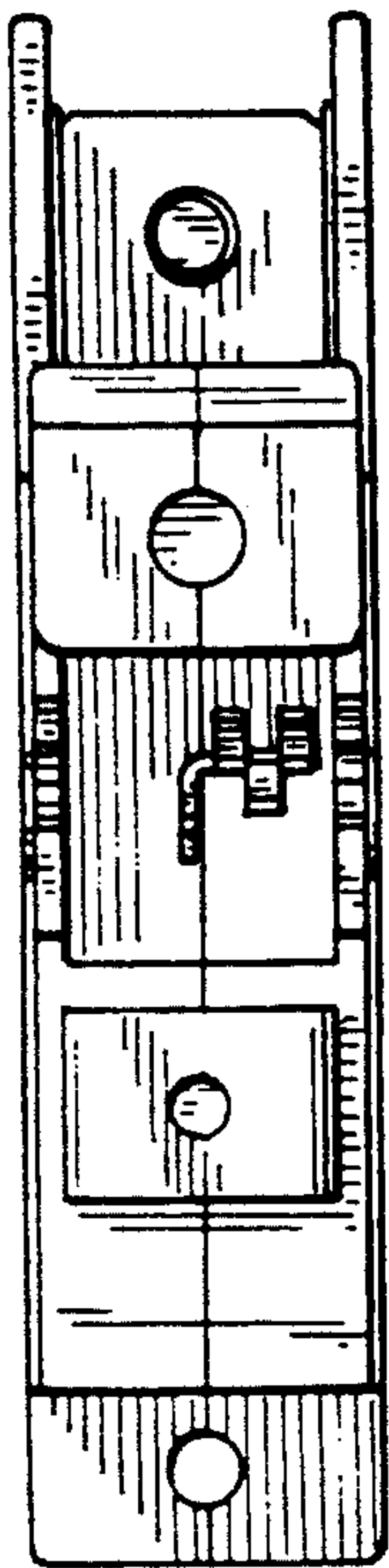


Fig. 7

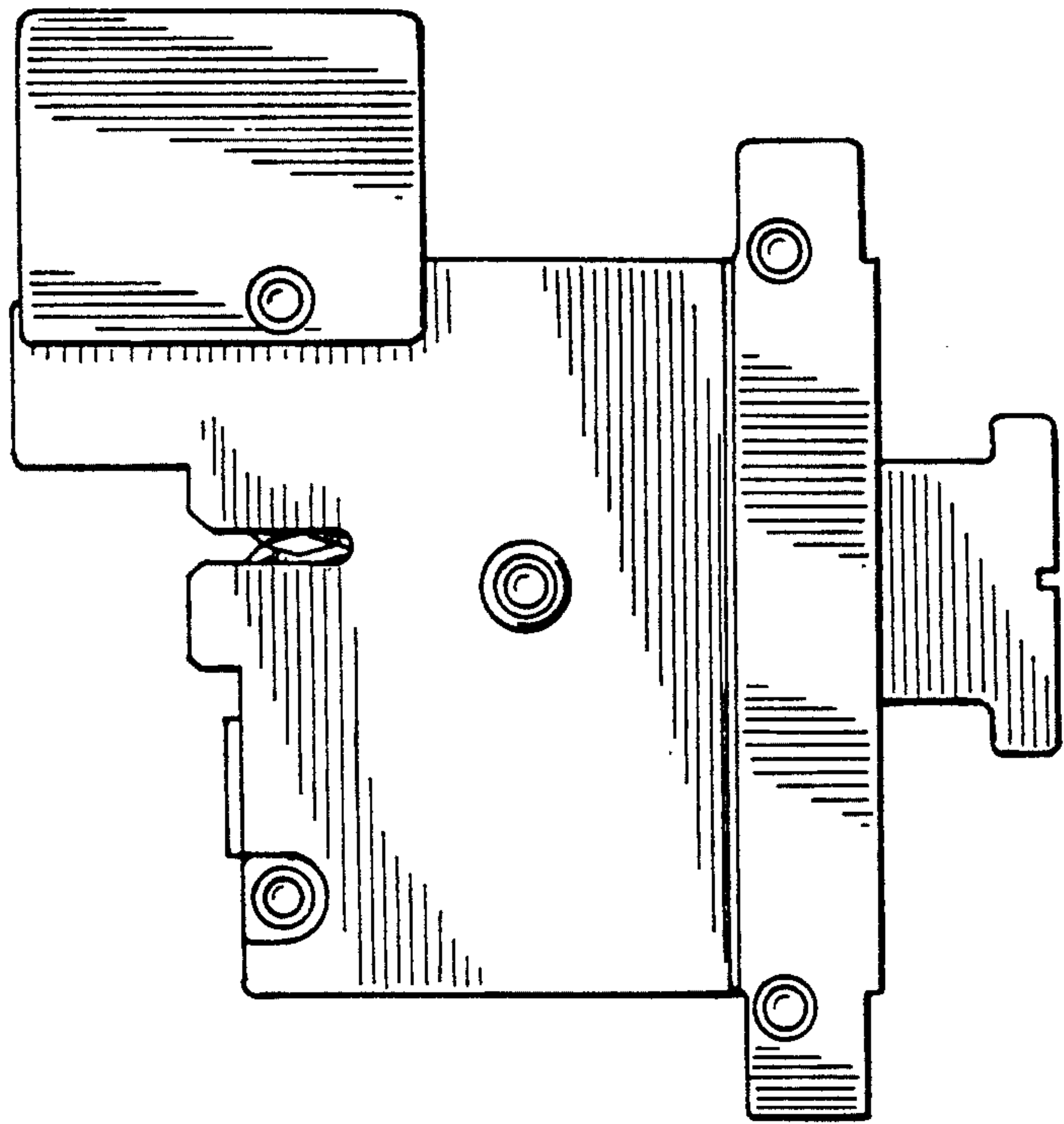


Fig. 9

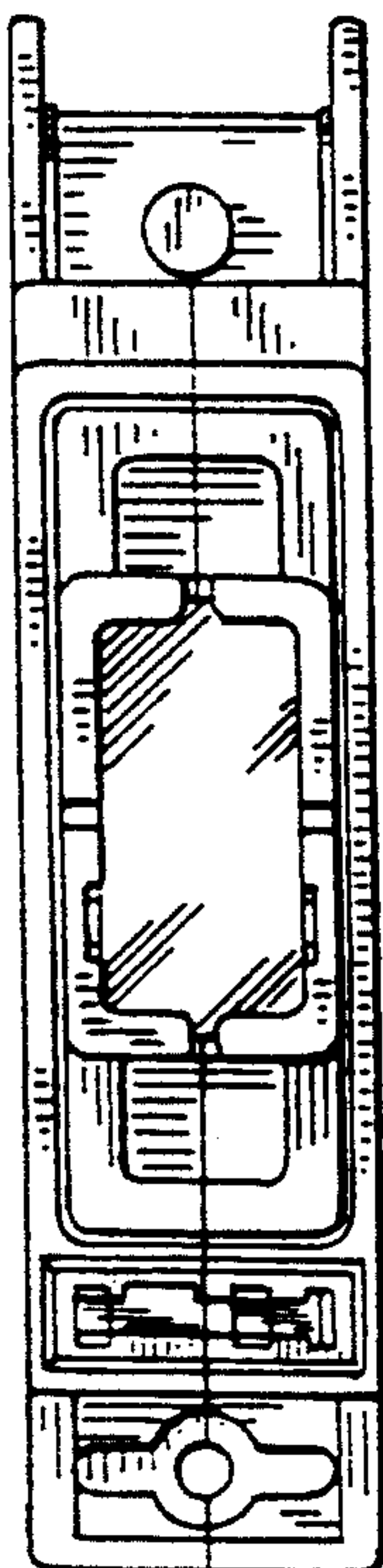


Fig. 8

