



US00D348047S

United States Patent [19]

[11] Patent Number: **Des. 348,047**

Bluband

[45] Date of Patent: **** Jun. 21, 1994**

[54] ELECTRICAL CONNECTOR

FOREIGN PATENT DOCUMENTS

[75] Inventor: **Zakhary Bluband, Plymouth, Minn.**

1903398 9/1969 Fed. Rep. of Germany 439/583

[73] Assignee: **ADC Telecommunications, Inc., Minneapolis, Minn.**

Primary Examiner—Wallace R. Burke
Assistant Examiner—J. Sincavage
Attorney, Agent, or Firm—Merchant, Gould, Smith, Edell, Welter & Schmidt

[**] Term: **14 Years**

[57] CLAIM

[21] Appl. No.: **854,055**

The ornamental design for an electrical connector, as shown and described herein.

[22] Filed: **Mar. 19, 1992**

DESCRIPTION

[52] U.S. Cl. **D13/133**

[58] Field of Search 439/350, 557, 581, 583,
439/638, 676, 687, 686, 701, 705, 731, 740;
D13/147; D14/256

FIG. 1 is a front and upper right perspective view of an electrical connector showing my new design with the retaining element separated for clarity; FIG. 2 is a front elevation view of the electrical connector with the retaining element assembled; FIG. 3 is a rear elevation view thereof; FIG. 4 is a right side elevation view thereof with the opposite side being identical; and, FIG. 5 is a top plan view thereof with the opposite side being identical.

[56] References Cited

U.S. PATENT DOCUMENTS

- D. 204,674 5/1966 Trimble D13/133
- 4,261,628 4/1981 Gallagher et al. 439/350 X
- 4,713,024 12/1987 Hatakeyama et al. 439/581 X
- 5,240,436 8/1983 Bradley 439/654

The broken line showing is included for the purpose of illustrating environmental elements only and forms no part of the claim design.

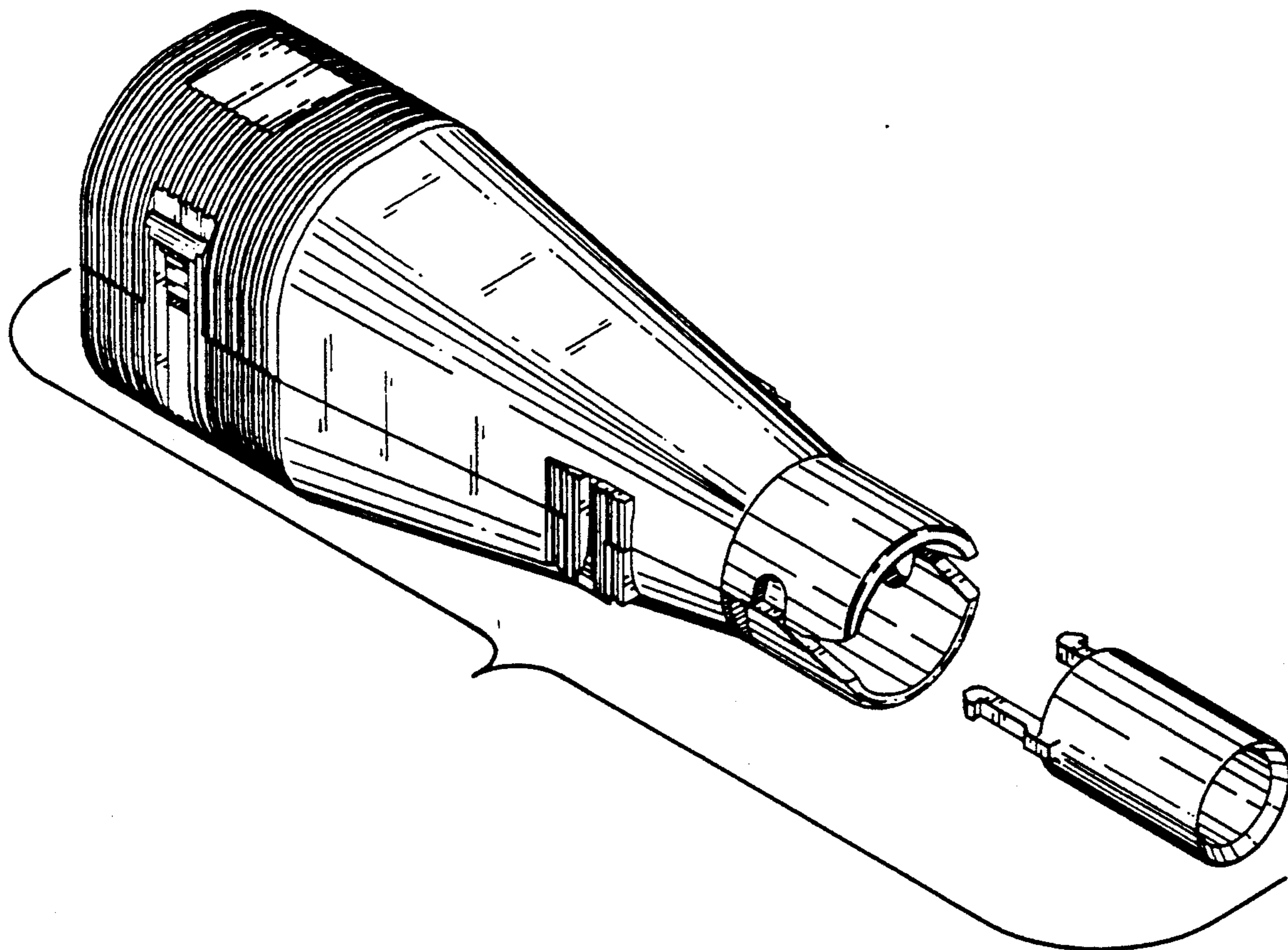
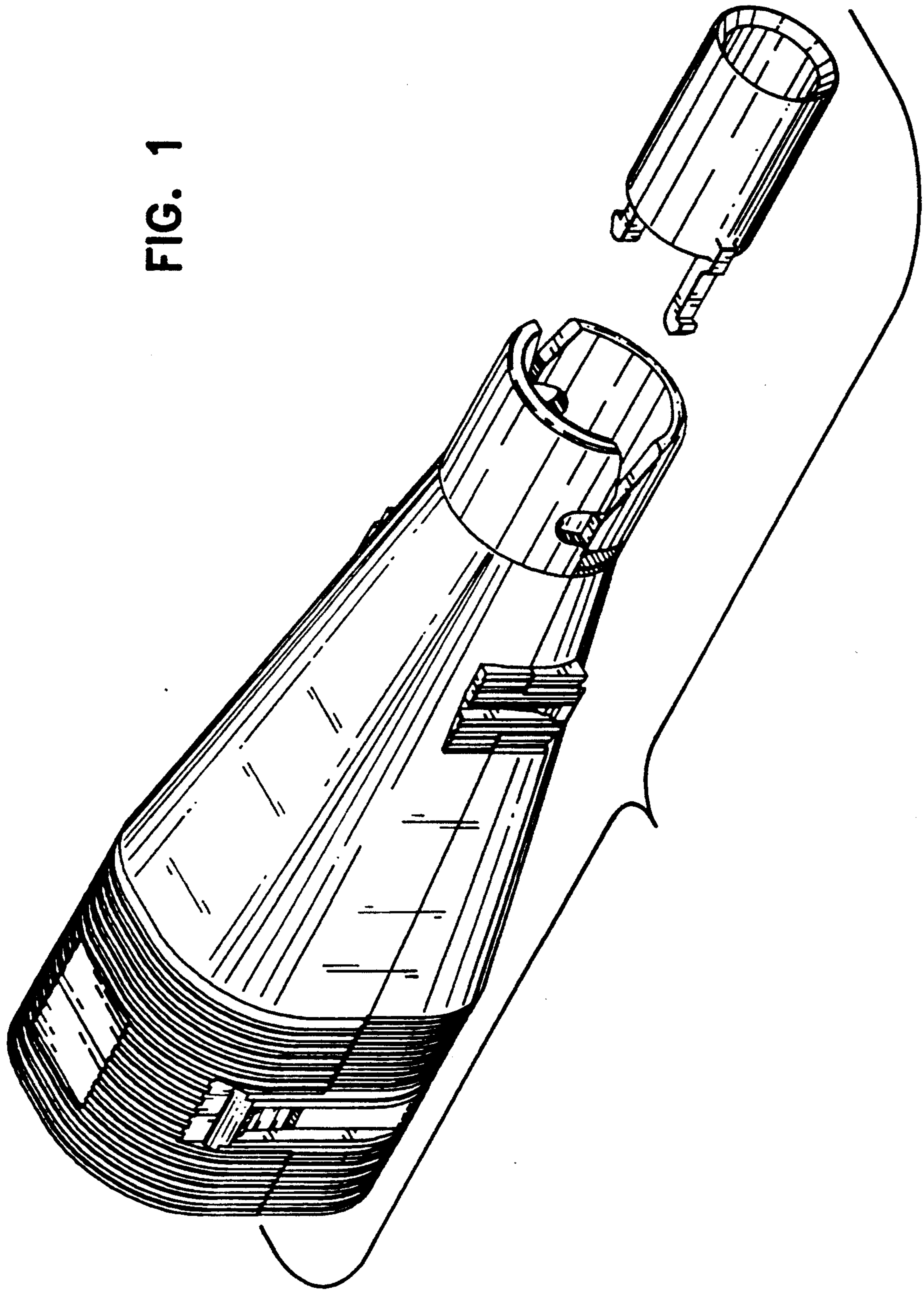


FIG. 1



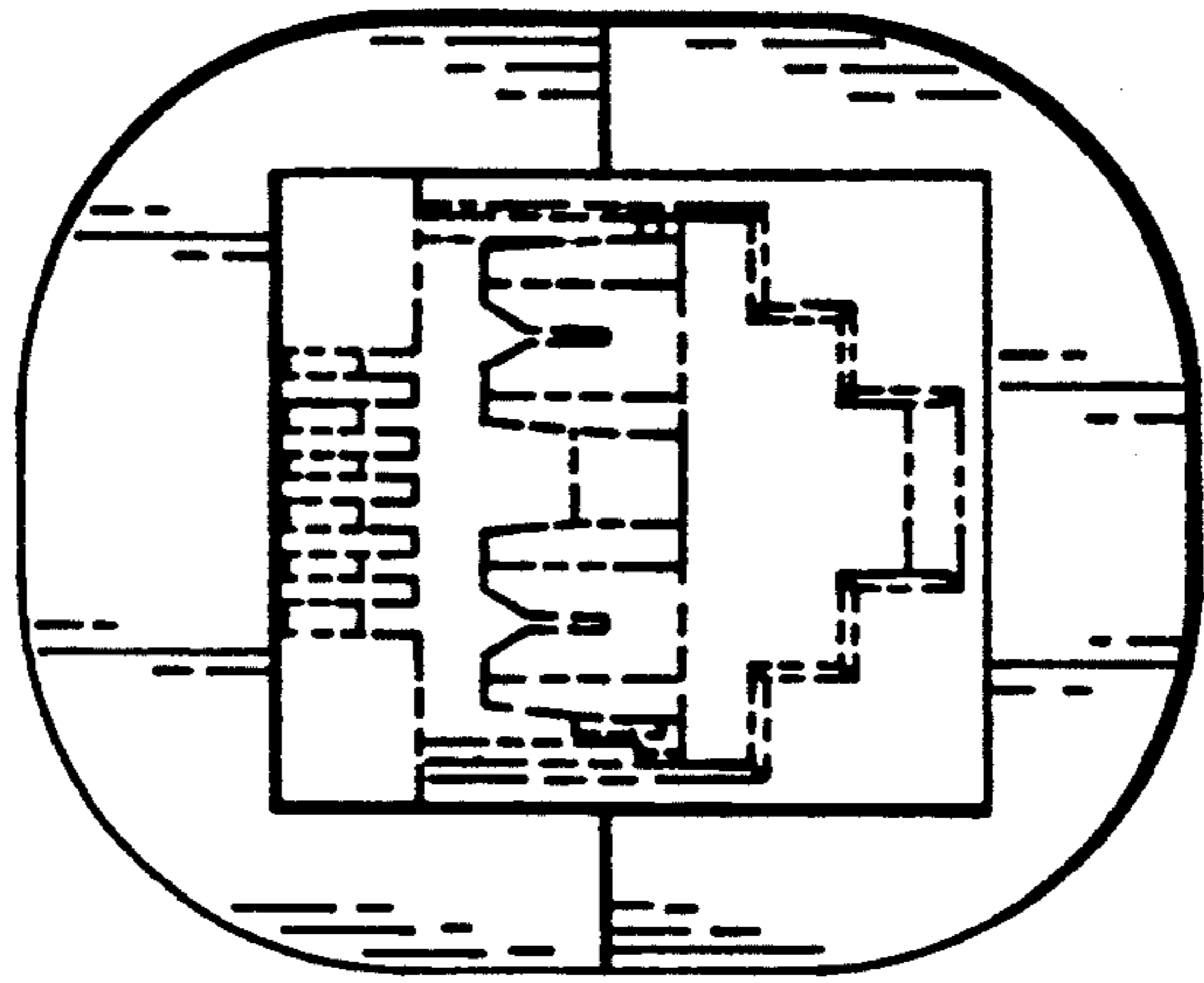


FIG. 3

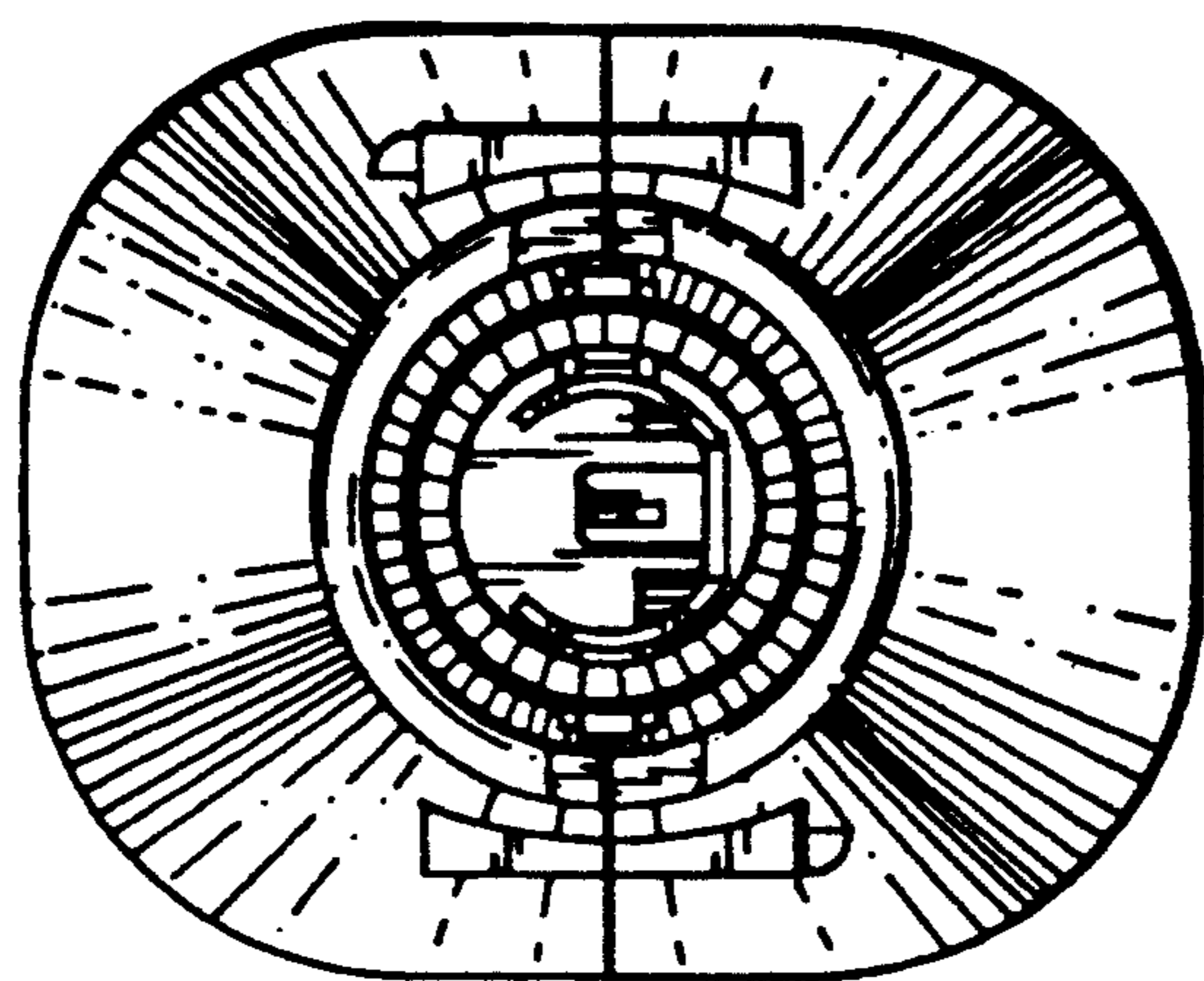


FIG. 2

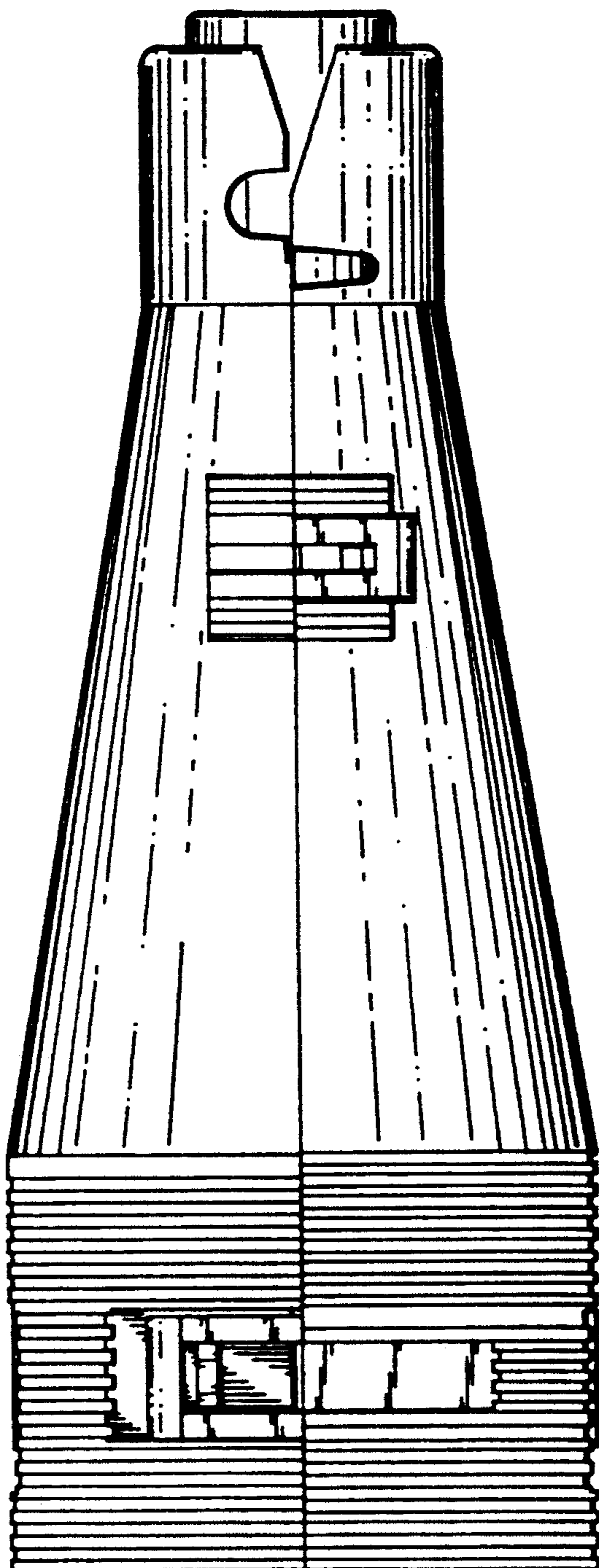


FIG. 4

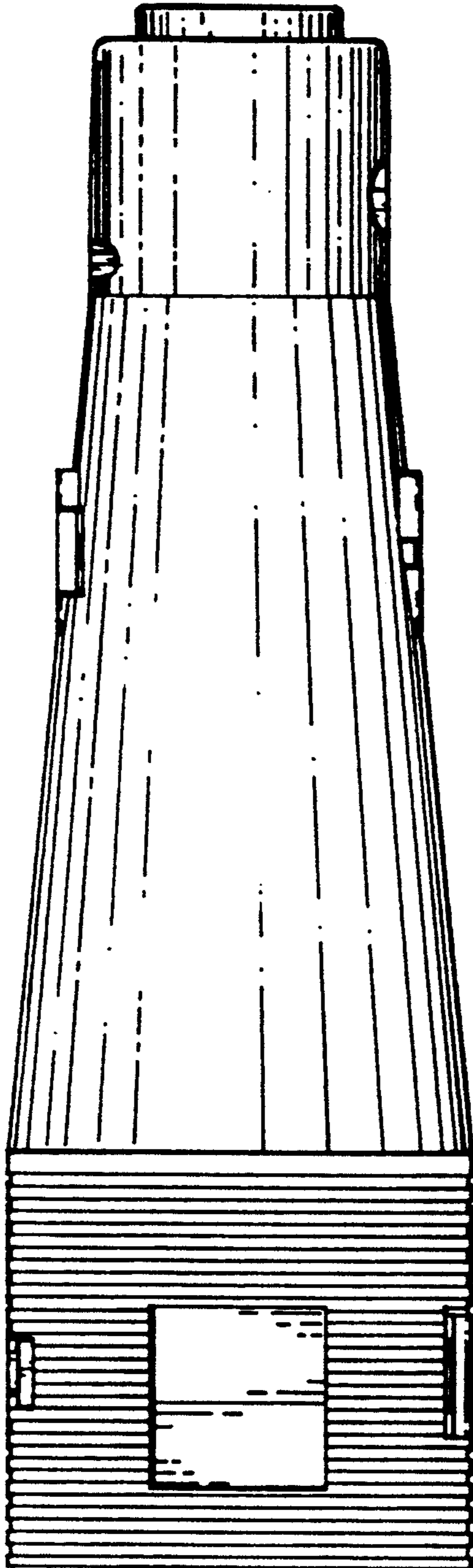


FIG. 5