



US00D348045S

# United States Patent [19]

[11] Patent Number: **Des. 348,045**

**Norgard et al.**

[45] Date of Patent: **\*\* Jun. 21, 1994**

[54] **LOW PROFILE TRANSFORMER**

4,583,068 4/1986 Dickens et al. .... 336/83 X  
4,616,205 10/1986 Praught et al. .... 336/83 X

[75] Inventors: **Linn R. Norgard, Portland; James A. Voll, Gresham, both of Oreg.**

*Primary Examiner*—Wallace R. Burke  
*Assistant Examiner*—Joel Sincavage  
*Attorney, Agent, or Firm*—Klarquist Sparkman  
Campbell Leigh & Winston

[73] Assignee: **OECO Corporation, Milwaukie, Oreg.**

[\*\*] Term: **14 Years**

[57] **CLAIM**

[21] Appl. No.: **5,452**

The ornamental design for a low-profile transformer, as shown and described.

[22] Filed: **Mar. 5, 1993**

**DESCRIPTION**

[52] U.S. Cl. .... **D13/110**

[58] Field of Search ..... 336/83, 90, 96, 98,  
336/192; D13/110, 117

FIG. 1 is a perspective view of a low-profile transformer showing our new design;  
FIG. 2 is a top plan view thereof;  
FIG. 3 is a bottom plan view thereof;  
FIG. 4 is a left side elevational view, the right side being a mirror image thereof;  
FIG. 5 is a front elevational view thereof; and,  
FIG. 6 is a rear elevational view thereof.

[56] **References Cited**

**U.S. PATENT DOCUMENTS**

3,947,955 4/1976 Thiessens et al. .... 336/83 X  
4,514,713 4/1985 Van Dam ..... 336/96

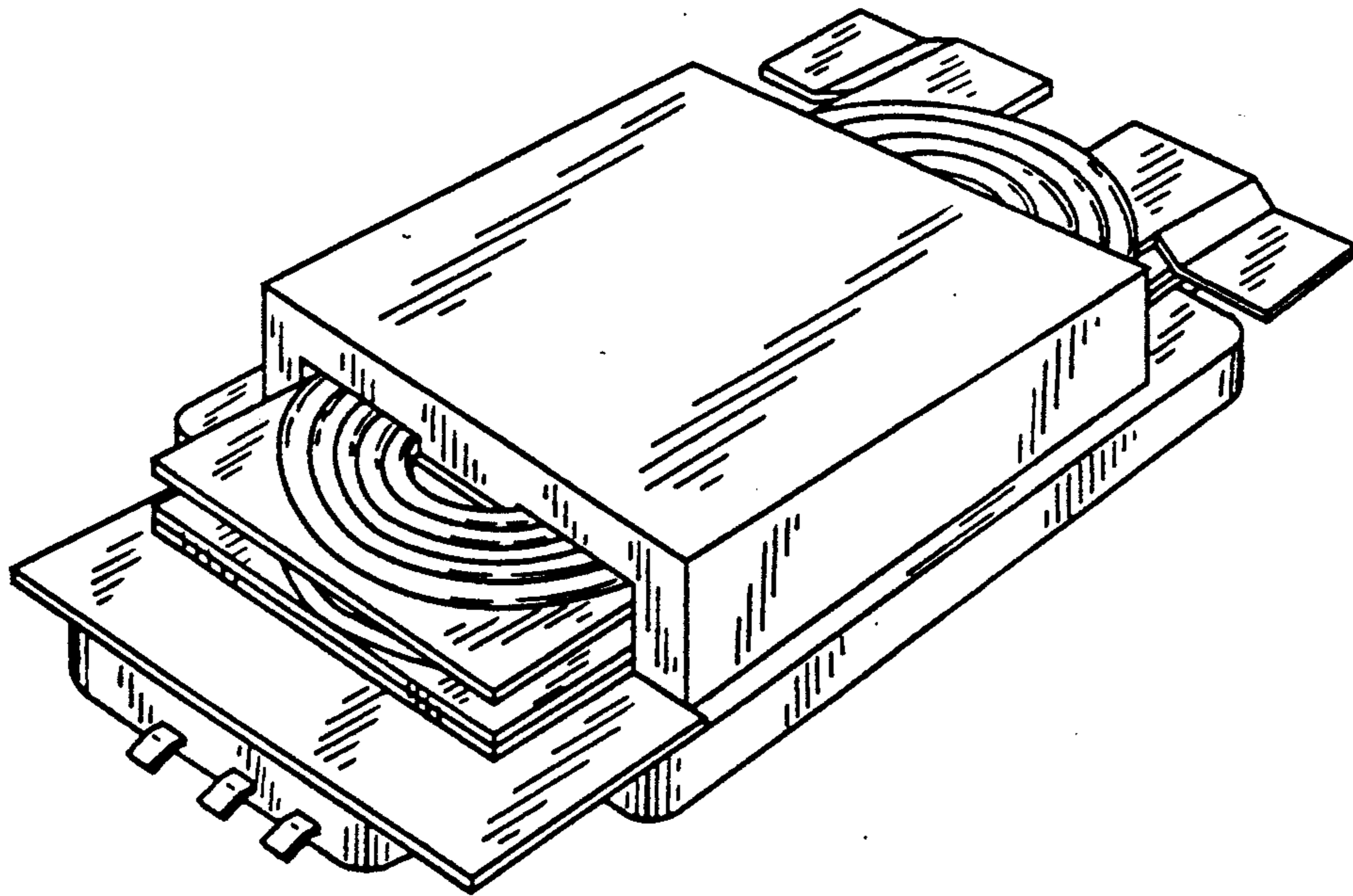


FIG. 1

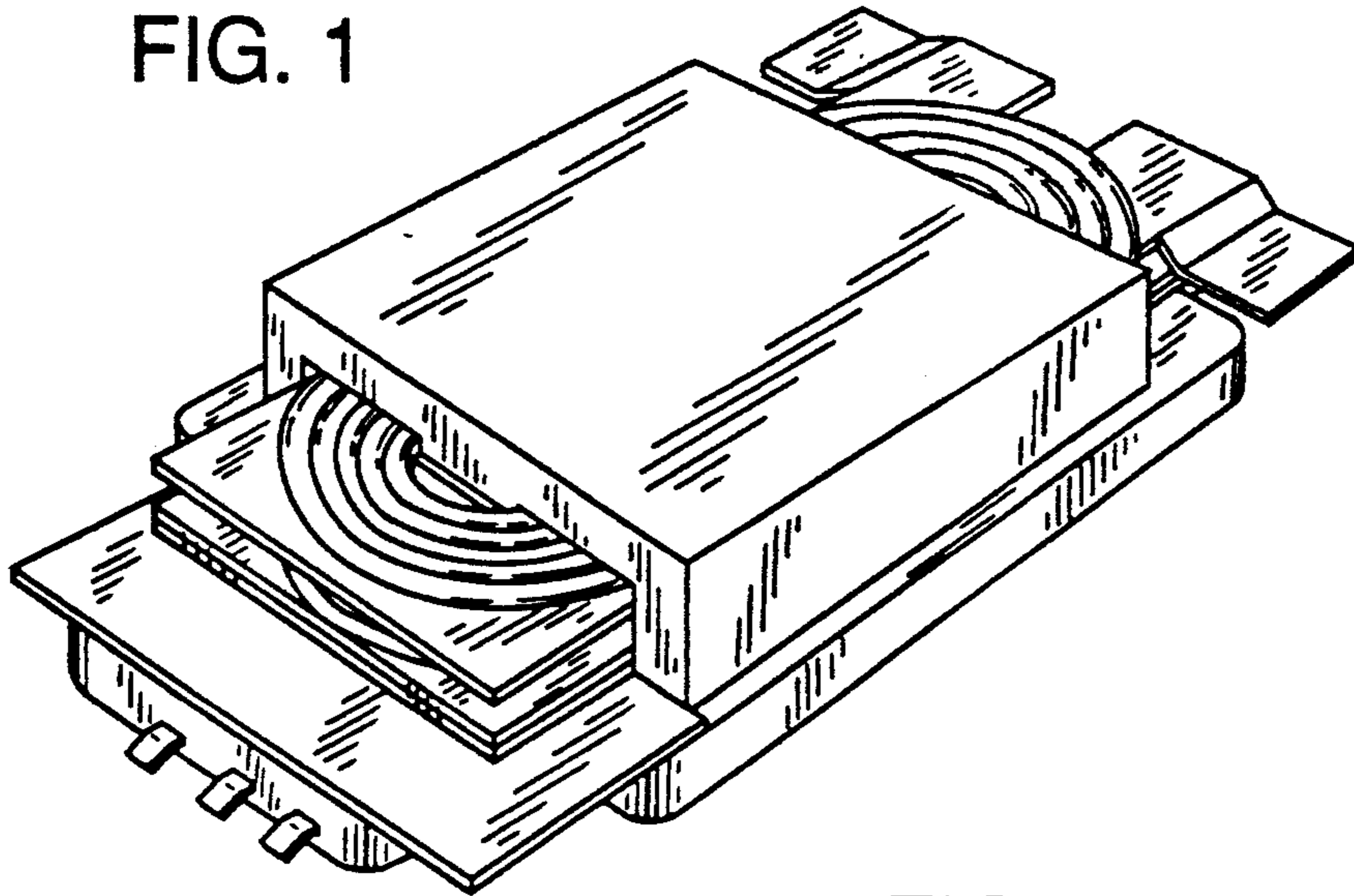


FIG. 2

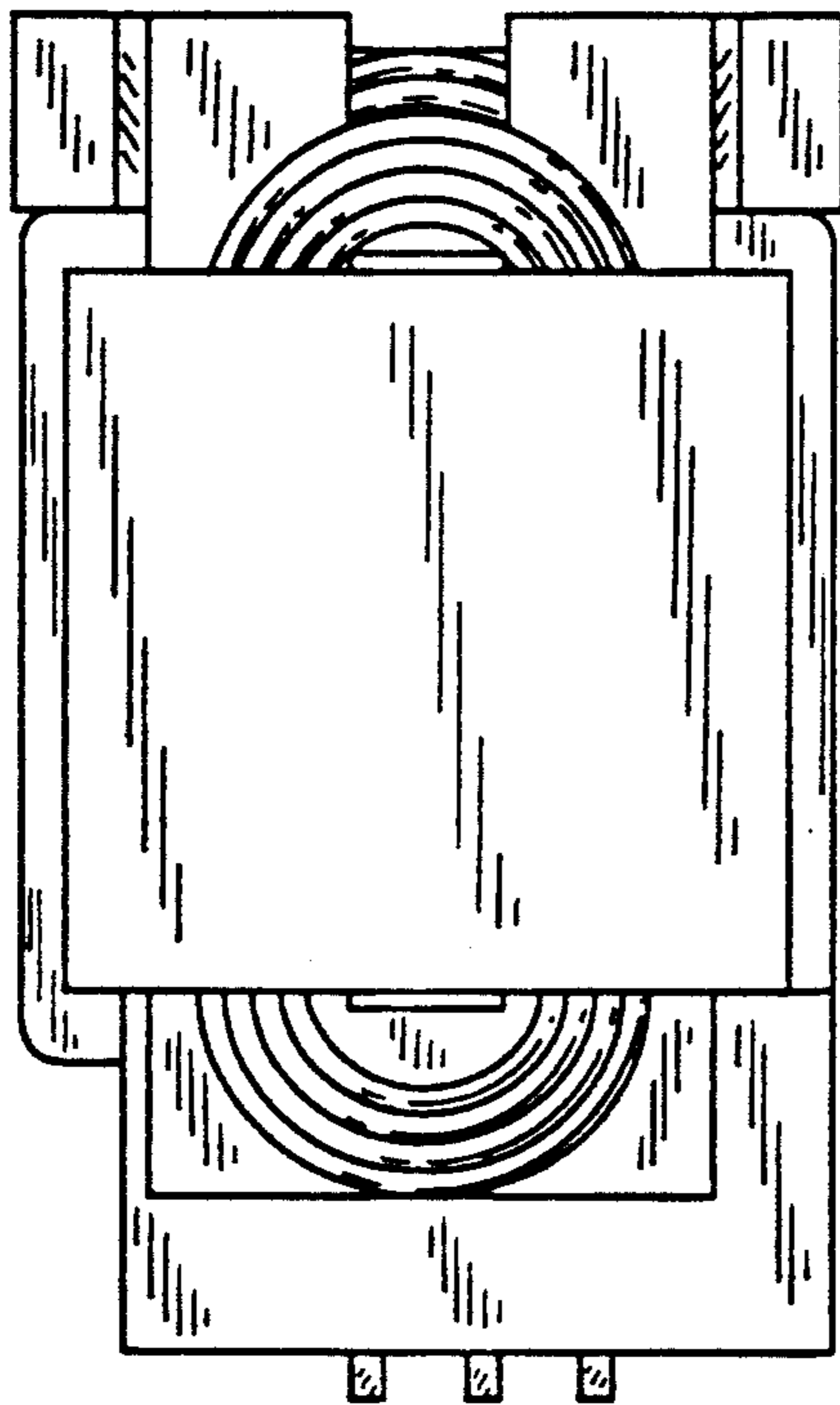


FIG. 3

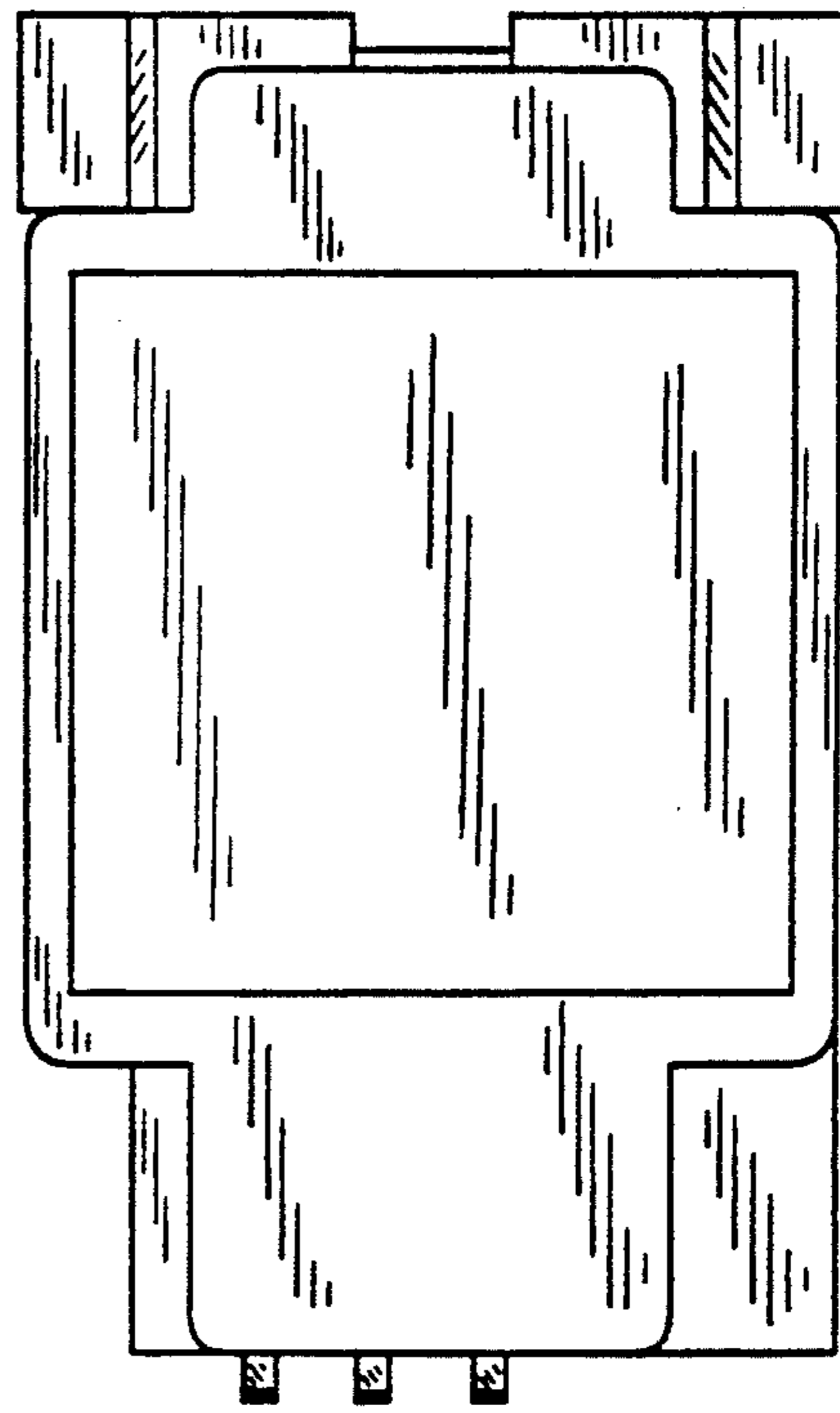


FIG. 4

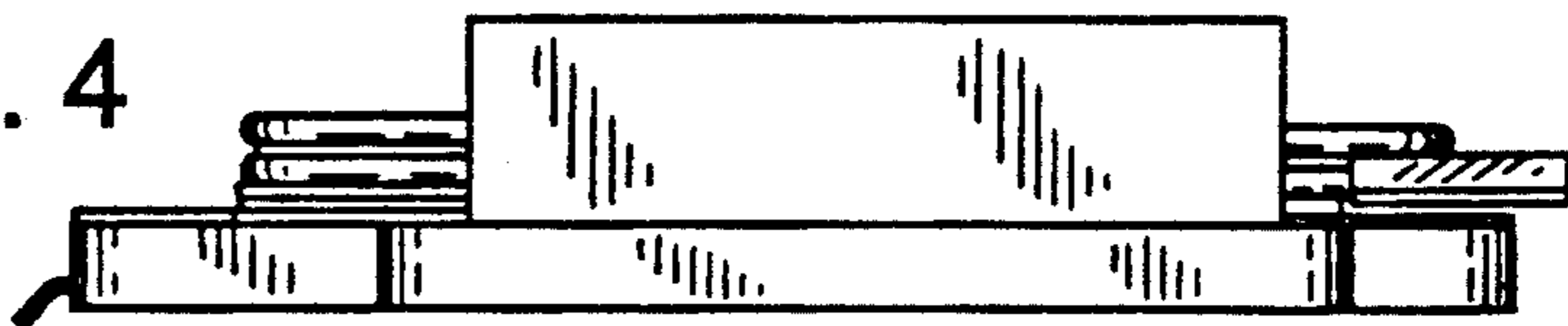


FIG. 5



FIG. 6

