



US00D348044S

# United States Patent [19]

[11] Patent Number: **Des. 348,044**

Alexandres et al.

[45] Date of Patent: **\*\* Jun. 21, 1994**

[54] **BATTERY HOUSING FOR A PORTABLE RADIO TELEPHONE**

[75] Inventors: **Jon K. Alexandres; Gary J. Downs; William R. Peterson**, all of Mason City, Iowa

[73] Assignee: **Alexander Manufacturing Co.**, Mason City, Iowa

[\*\*] Term: **14 Years**

[21] Appl. No.: **895,393**

[22] Filed: **Jun. 9, 1992**

[52] U.S. Cl. .... **D13/103**

[58] Field of Search ..... 320/2, 3, 4; 429/96, 429/97, 98, 99, 100, 121, 122, 123; D13/103; D14/114, 138, 217

[56] **References Cited**

**U.S. PATENT DOCUMENTS**

- D. 265,985 8/1982 House, II ..... D13/103
- D. 280,322 8/1985 Velinsky ..... D14/114
- D. 280,717 9/1985 Scheid et al. .... D13/103
- D. 283,888 5/1986 Claxton et al. .... D13/103

- D. 289,044 3/1987 Watanabe ..... D14/138
- D. 295,511 5/1988 Scheid et al. .... D14/138 X
- D. 299,226 1/1989 Toth et al. .... D13/103
- D. 329,649 9/1992 Stamps, Jr. et al. .... D13/103 X
- 4,469,765 9/1984 McCartney et al. .... 429/123
- 4,714,439 12/1987 Marabotto et al. .... 429/121 X
- 5,189,400 2/1993 Schultz ..... 429/97 X

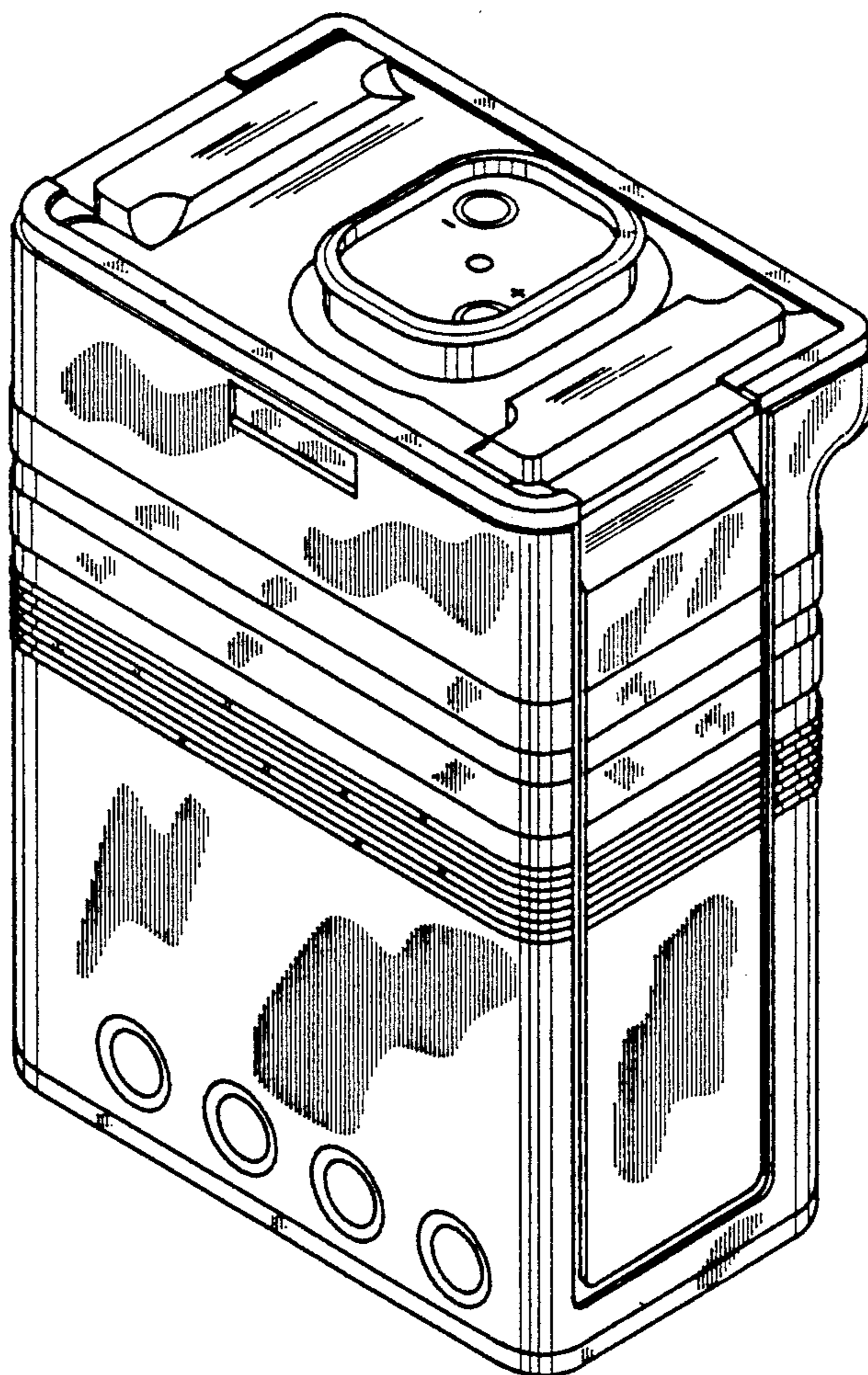
*Primary Examiner*—Wallace R. Burke  
*Assistant Examiner*—Joel Sincavage  
*Attorney, Agent, or Firm*—Hugh D. Jaeger

[57] **CLAIM**

The ornamental design for battery housing for a portable radio telephone, as shown.

**DESCRIPTION**

FIG. 1 illustrates a perspective view of battery housing for a portable radio telephone our new design; FIG. 2 illustrates a front view thereof; FIG. 3 illustrates a right side view thereof; FIG. 4 illustrates a left side view thereof; FIG. 5 illustrates a top view thereof; FIG. 6 illustrates a bottom view thereof; and, FIG. 7 illustrates a back view thereof.



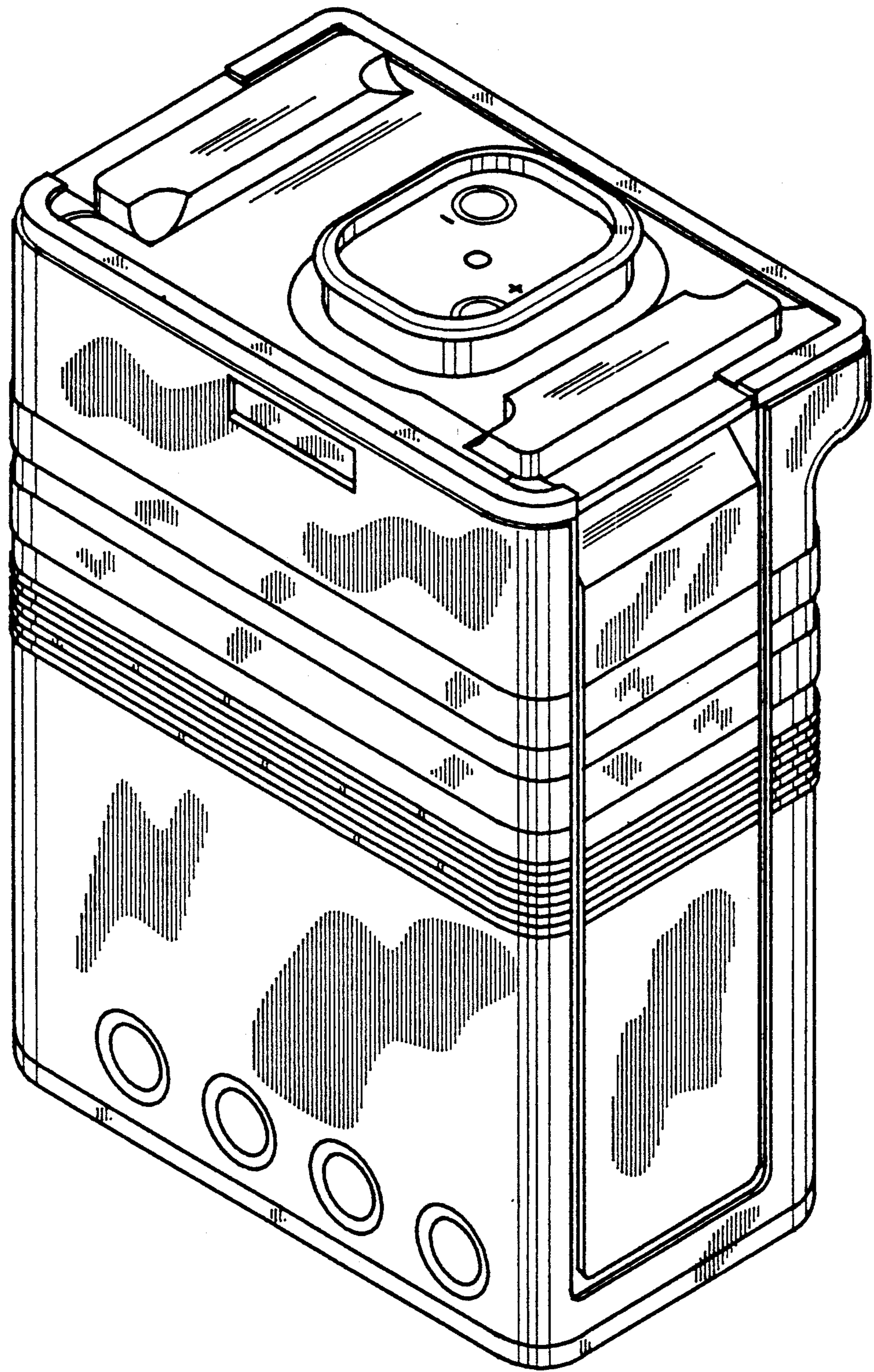


FIG. 1



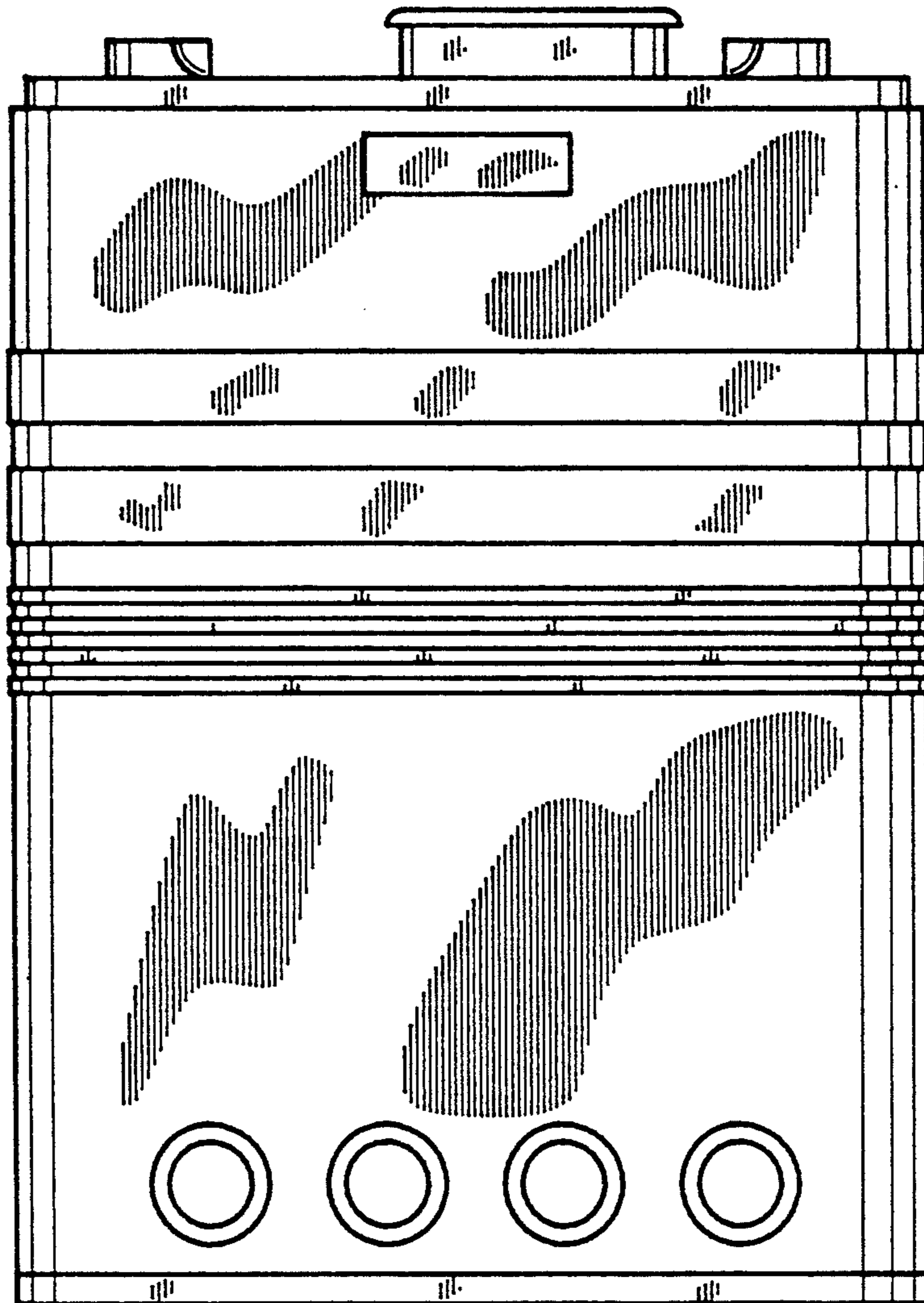


FIG. 2

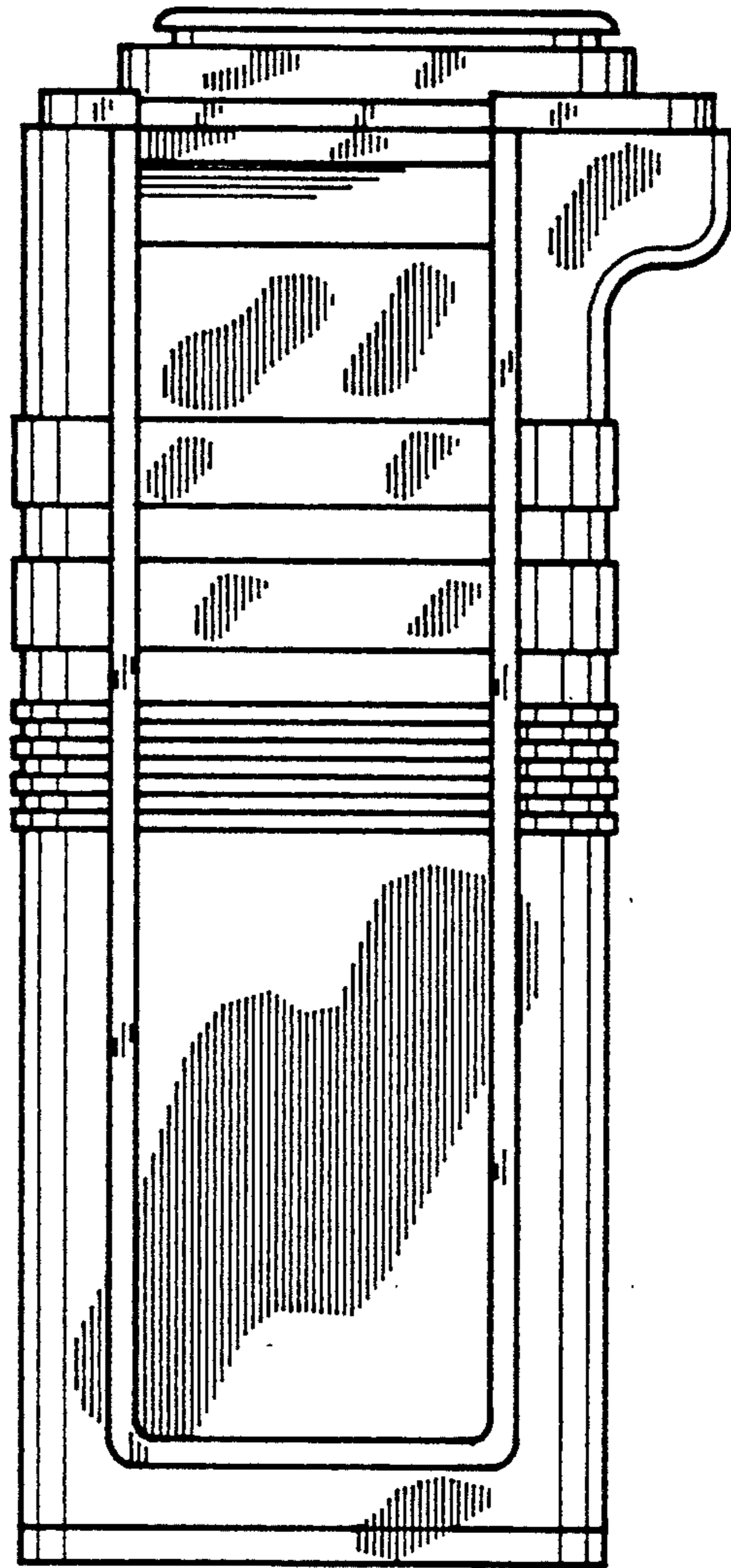


FIG. 3



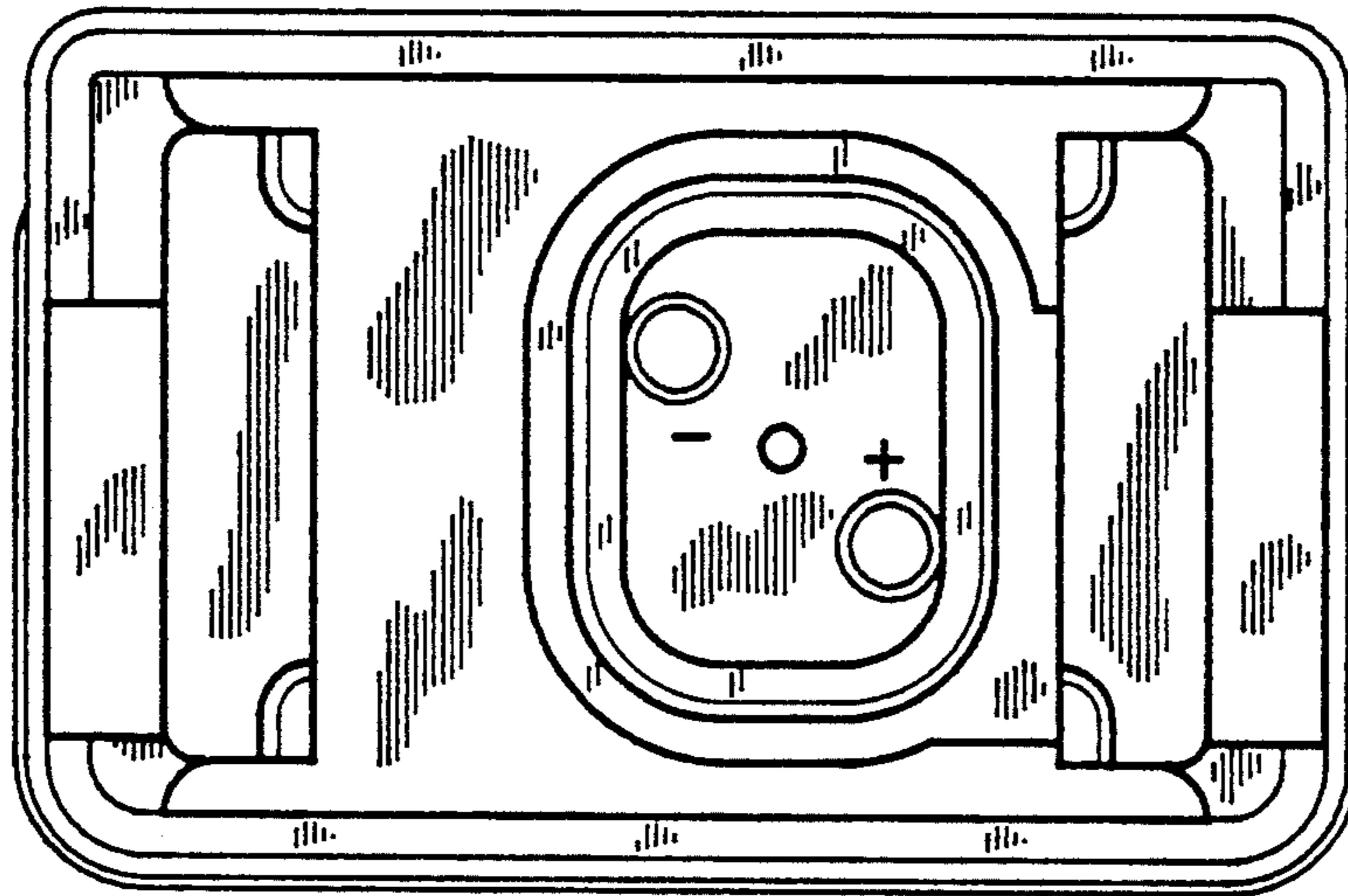
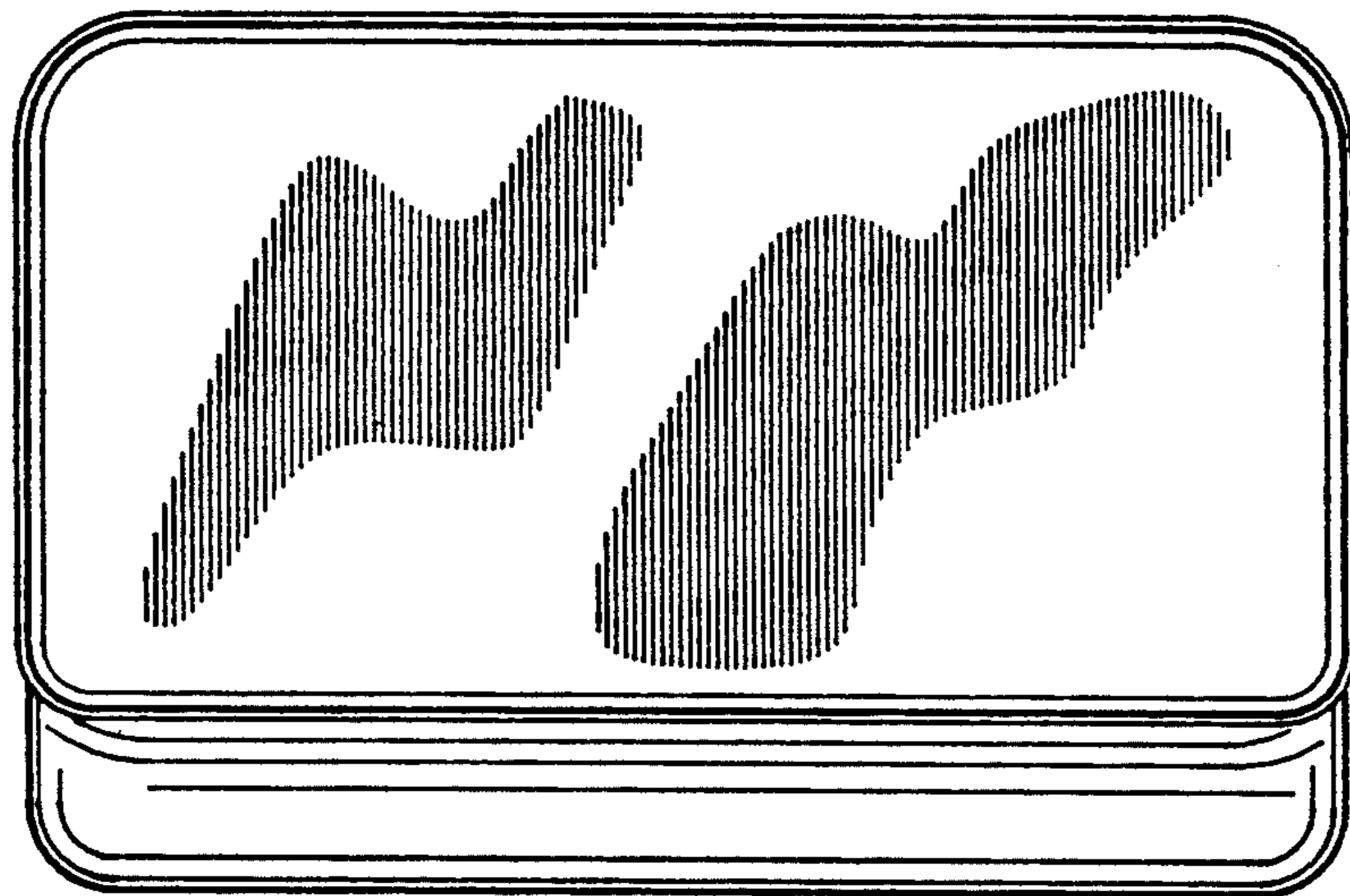


FIG. 5



**FIG. 6**

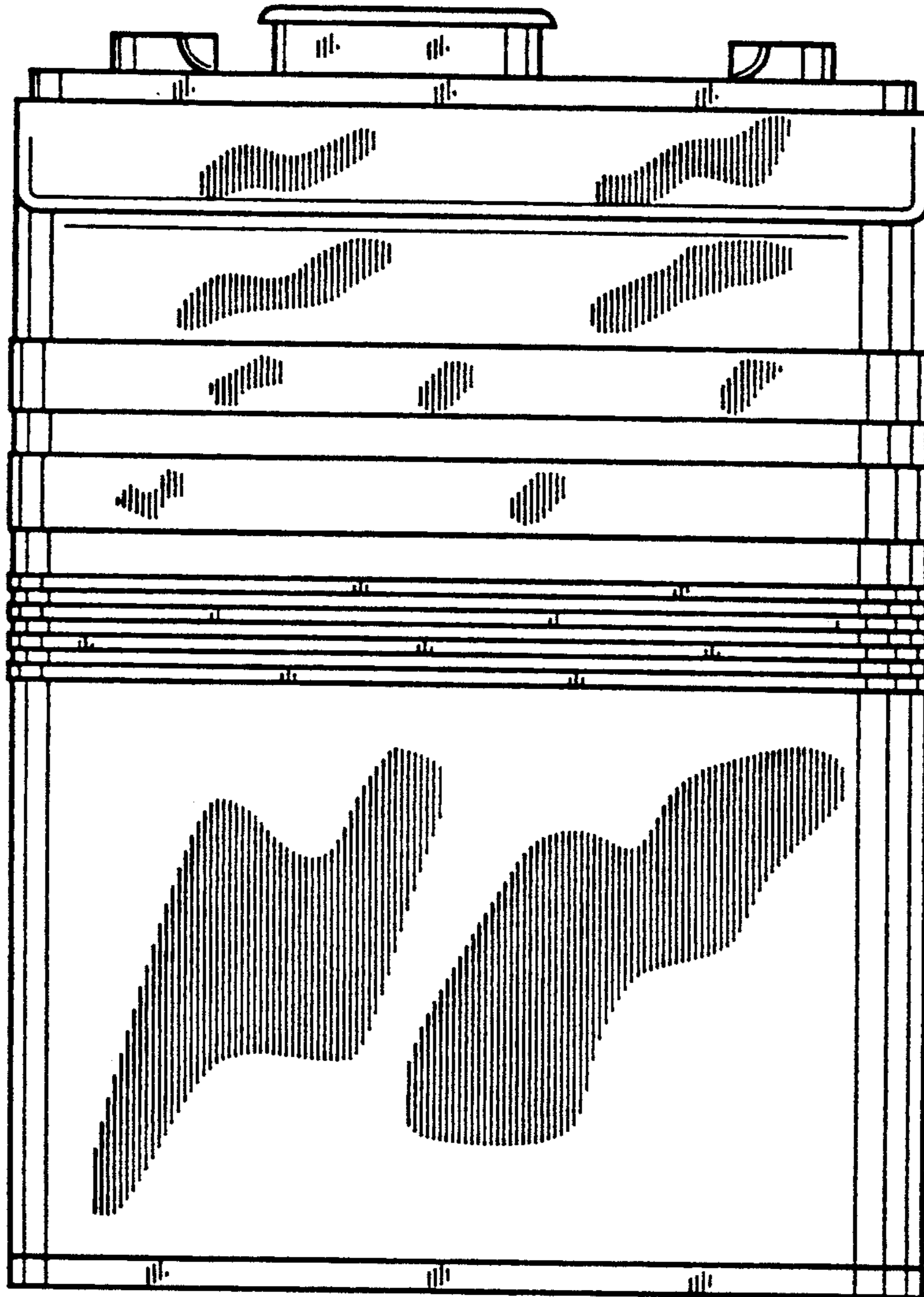


FIG. 7