



US00D348043S

United States Patent [19]

[11] Patent Number: Des. 348,043

Hamilton et al.

[45] Date of Patent: ** Jun. 21, 1994

[54] BATTERY HOUSING FOR A PORTABLE RADIO DATA TERMINAL

[56] References Cited

U.S. PATENT DOCUMENTS

[75] Inventors: Robert W. Hamilton, Tsawwassen, Canada; Raymond J. Kleinert, III, Ft. Lauderdale, Fla.

D. 285,926 9/1986 Kies et al. D14/114
D. 286,053 10/1986 McDaniel et al. D14/114
3,665,285 5/1972 Mullersman et al. 320/2

[73] Assignee: Motorola, Inc., Schaumburg, Ill.

Primary Examiner—Wallace R. Burke
Assistant Examiner—Joel Sincavage
Attorney, Agent, or Firm—Donald B. Southard

[**] Term: 14 Years

[57] CLAIM

The ornamental design for a battery housing for a portable radio data terminal, as shown and described.

[21] Appl. No.: 868,380

DESCRIPTION

[22] Filed: Apr. 7, 1992

FIG. 1 is a front, top and right side perspective view of a battery housing for a portable radio data terminal showing our new design;

[52] U.S. Cl. D13/103

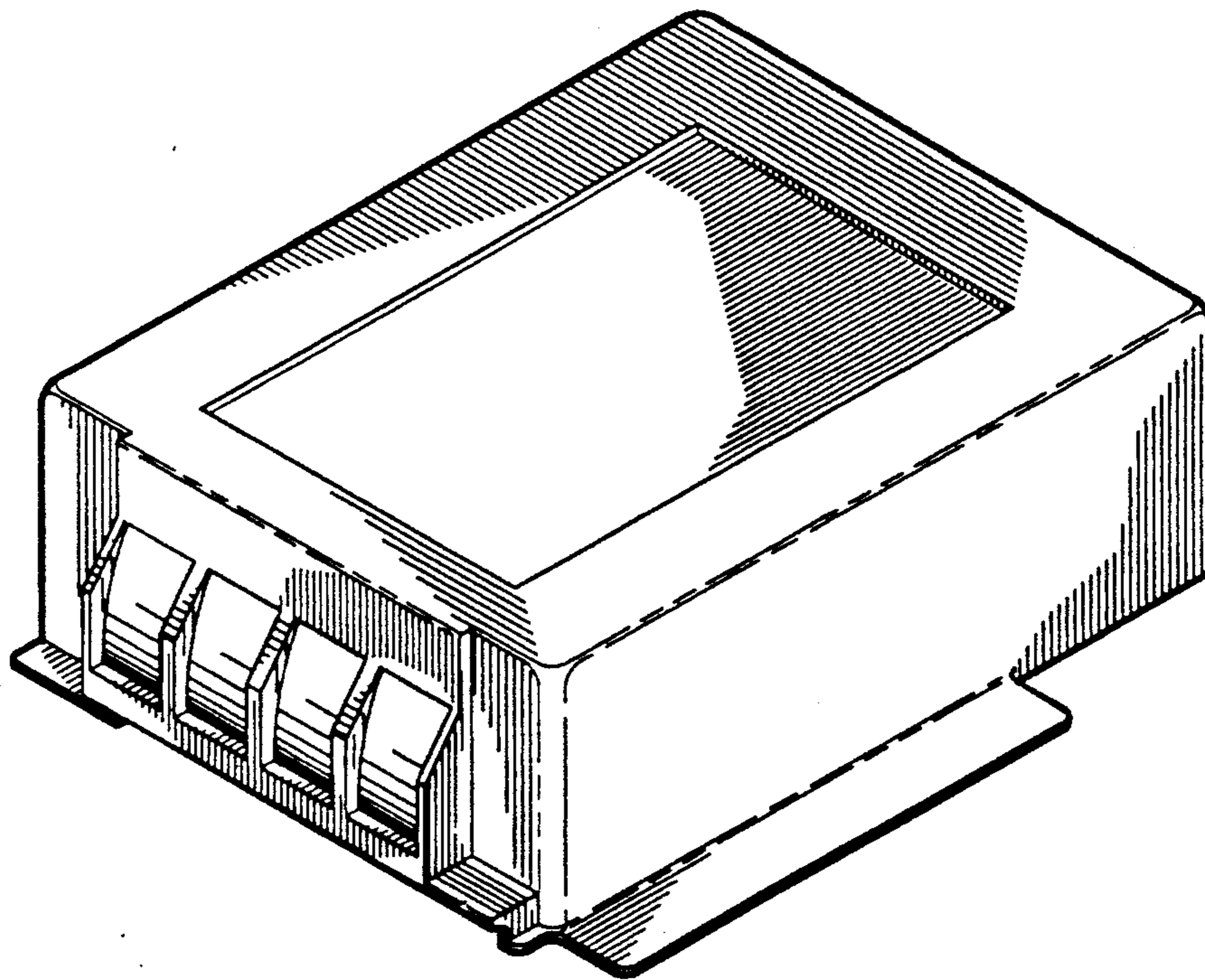
FIG. 2 is a left side elevational view thereof;

[58] Field of Search 320/2, 3, 4; 429/96, 429/97, 98, 99, 100, 121, 122, 123; D13/103; D14/114, 138, 217

FIG. 3 is a rear elevational view thereof;

FIG. 4 is a bottom plan view thereof; and,

FIG. 5 is a rear bottom and left side perspective view thereof.



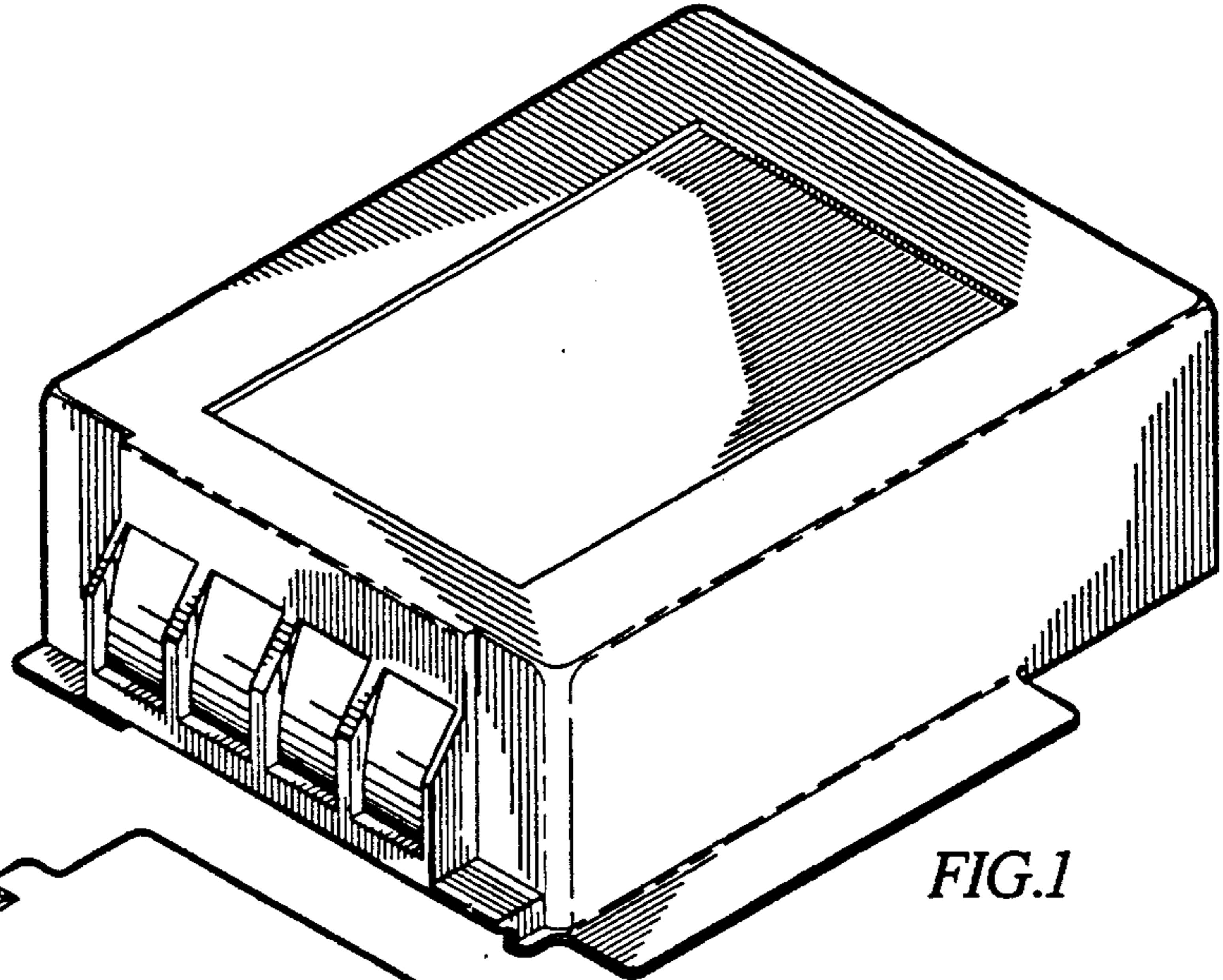


FIG. 1

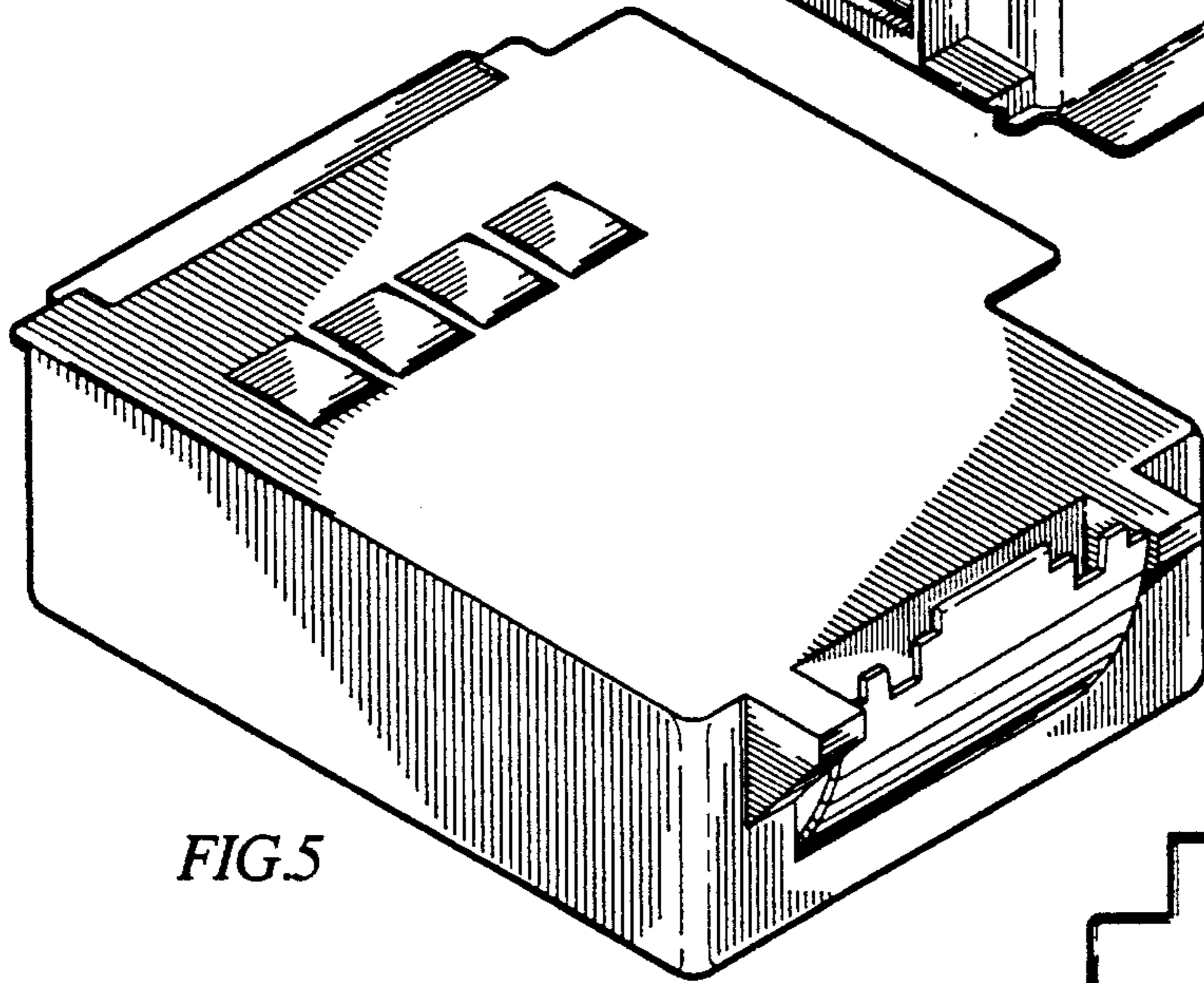


FIG. 5

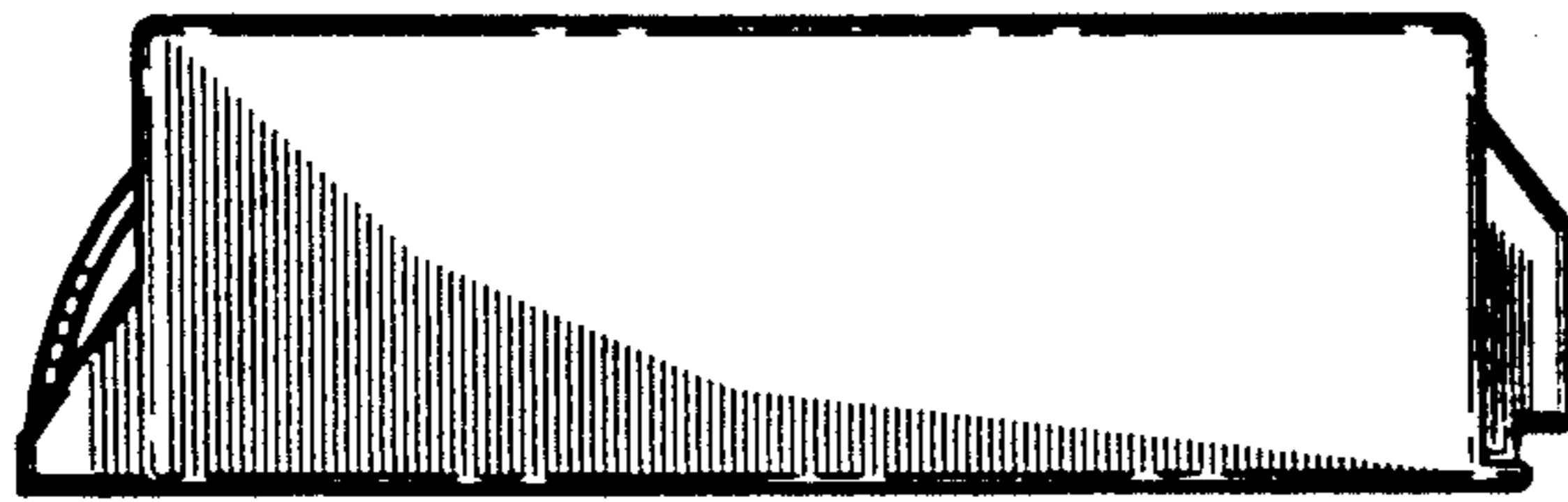


FIG. 2

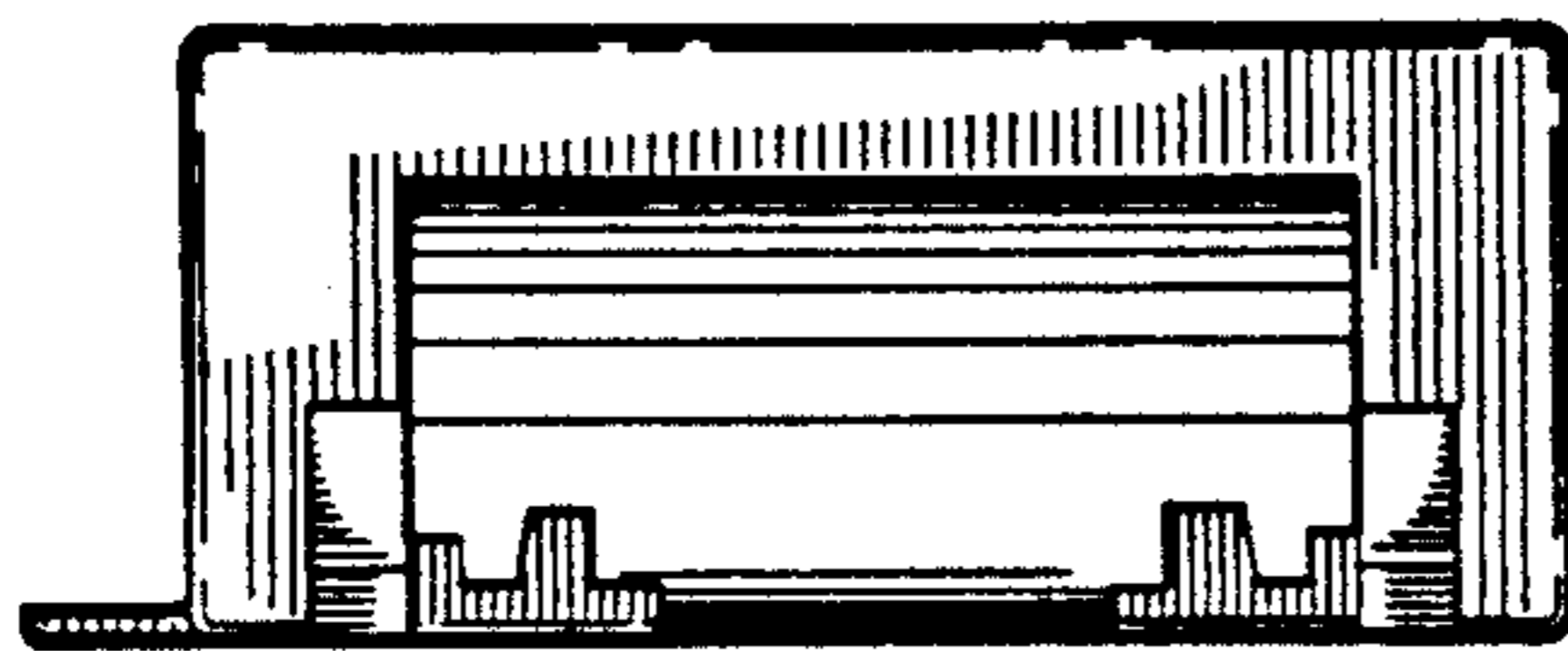


FIG. 3

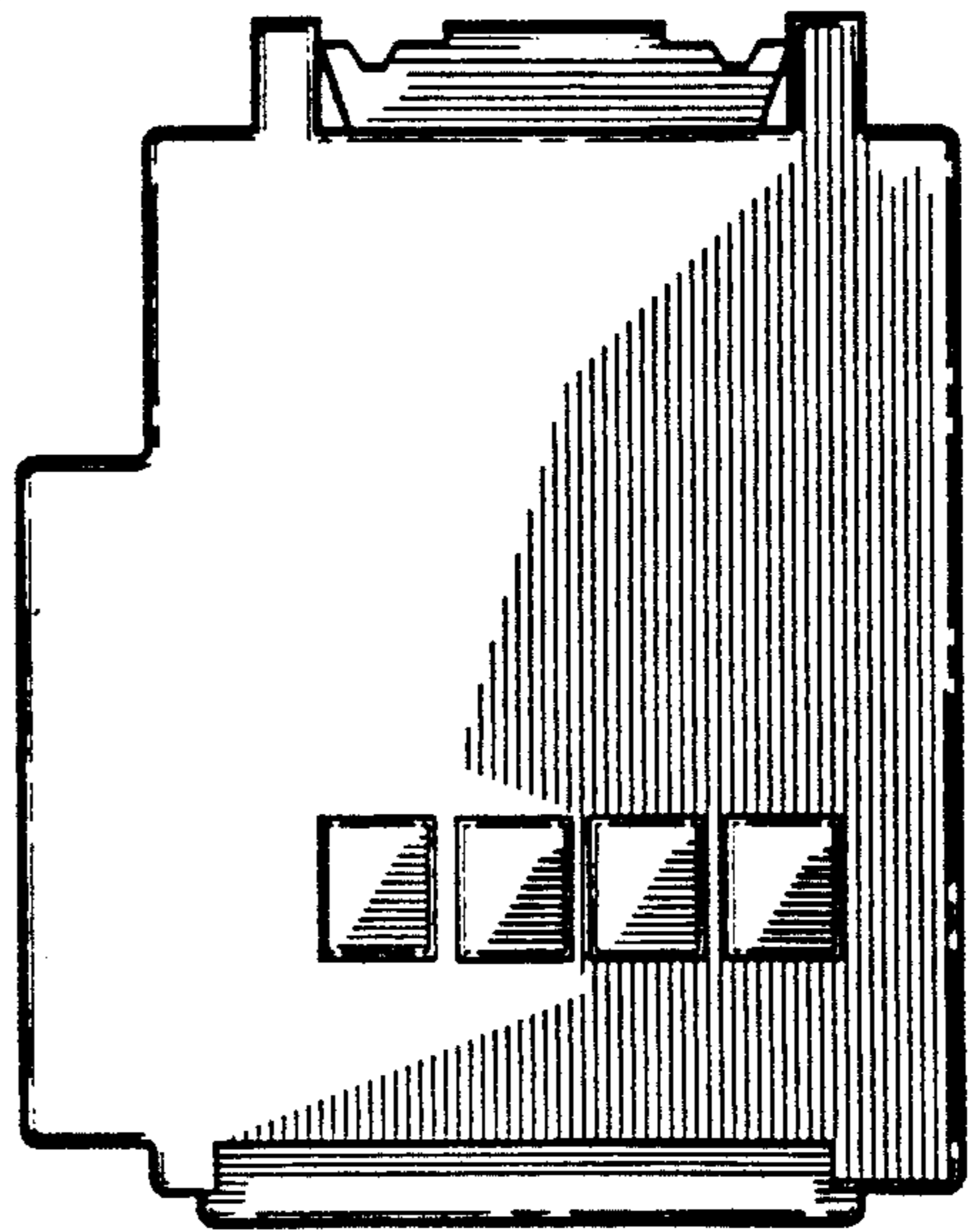


FIG. 4