



US00D348034S

United States Patent [19]
Mann

[11] **Patent Number: Des. 348,034**

[45] **Date of Patent: ** Jun. 21, 1994**

[54] **LOCKABLE SKI-HOLDER**

[75] **Inventor: Gerhard Mann, Ulricehamn, Sweden**

[73] **Assignee: Mont Blanc Industri AB, Dalsjöfors, Sweden**

[**] **Term: 14 Years**

[21] **Appl. No.: 837,983**

[22] **Filed: Feb. 19, 1992**

[30] **Foreign Application Priority Data**

Aug. 27, 1991 [SE] Sweden 91-1691

[52] **U.S. Cl.** **D12/412; D3/317; D3/259**

[58] **Field of Search** 224/309, 310, 316, 317, 224/325, 329, 331, 917; 296/37.7; D12/157

[56] **References Cited**

U.S. PATENT DOCUMENTS

D. 300,914	5/1989	Arvidsson	D12/157
D. 302,000	7/1989	Arvidsson	D12/157
D. 332,243	1/1993	Collins	D12/157
4,720,031	1/1988	Zimmerman	224/917
4,867,362	9/1989	Finnegan et al.	296/37.7
5,054,673	10/1991	Dixon	224/325

Primary Examiner—James M. Gandy
Attorney, Agent, or Firm—Dvorak and Traub

[57] **CLAIM**

The ornamental design for a lockable ski-holder, as shown and described.

DESCRIPTION

FIG. 1 is a perspective view of the top, side and one end of a lockable ski-holder showing my new design; and, FIG. 2 is a perspective view of the bottom, side and opposite end thereof.

The side opposite to that shown in the drawing is a mirror image thereof.

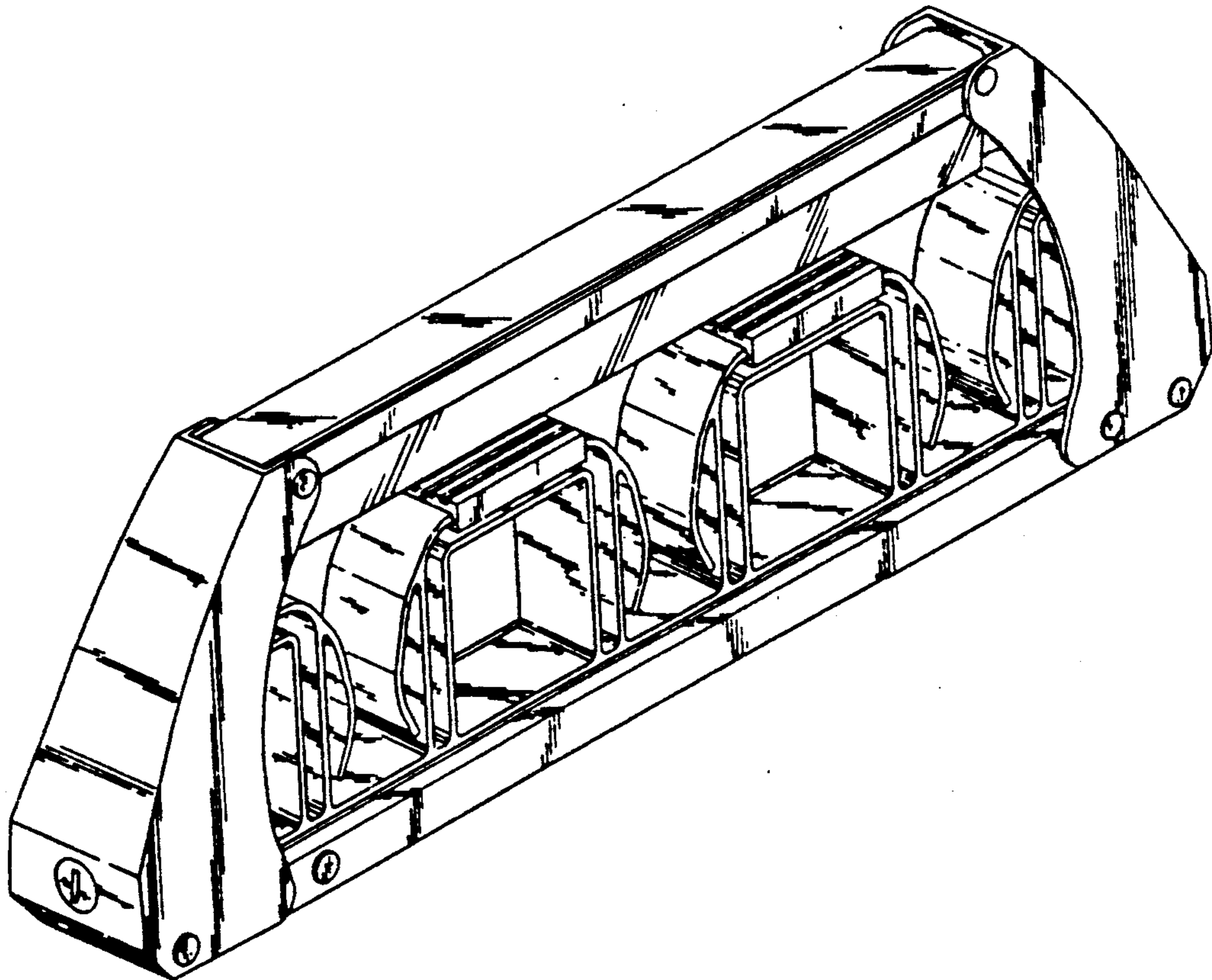


Fig. 1

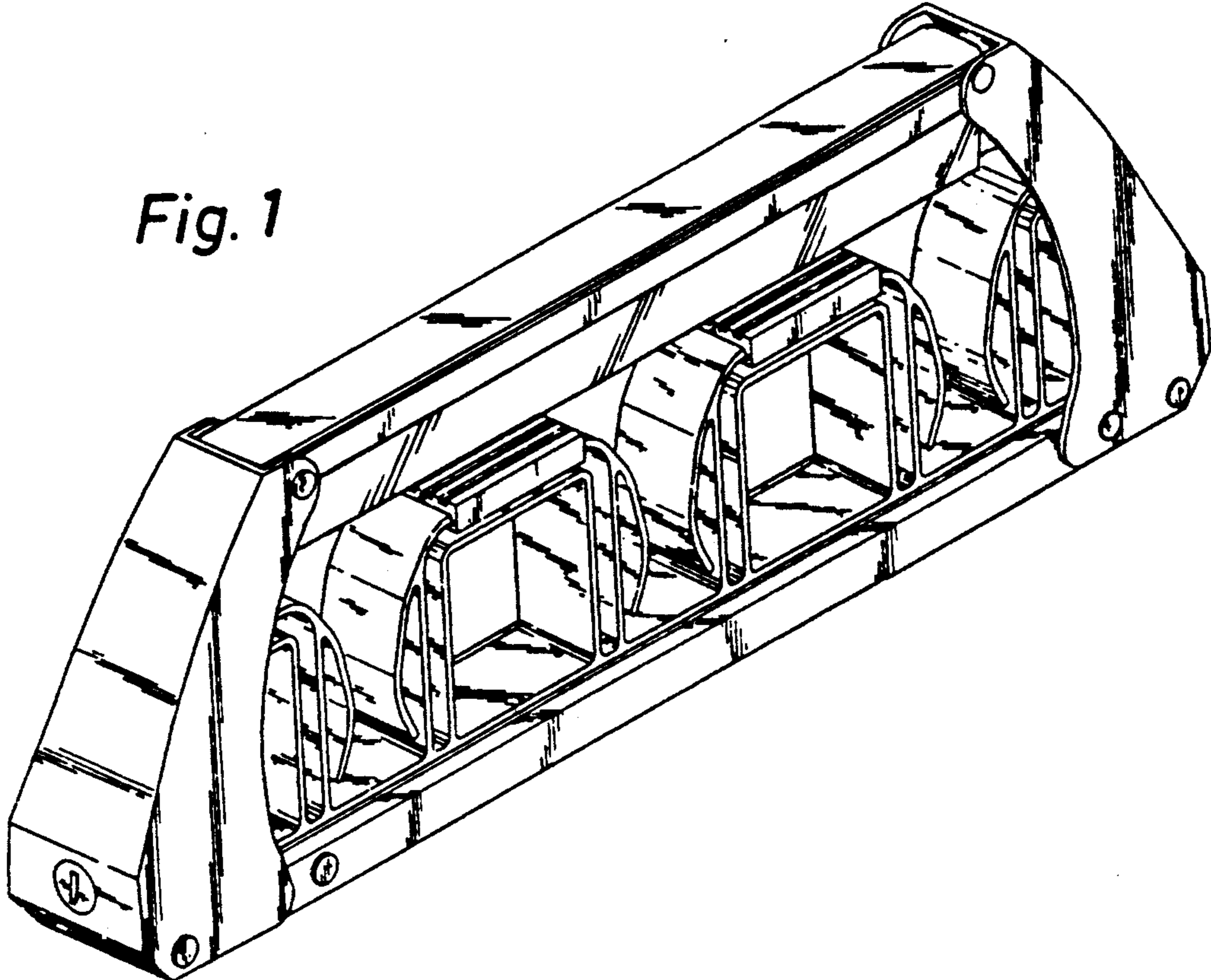


Fig. 2

