



US00D348030S

# United States Patent [19]

[11] Patent Number: **Des. 348,030**

Heathcote

[45] Date of Patent: **\*\* Jun. 21, 1994**

[54] **THREE WHEELED RECREATIONAL VEHICLE**

[76] Inventor: **Danny B. Heathcote, 621 Diehl SE., Des Moines, Iowa 50315**

[\*\*] Term: **14 Years**

[21] Appl. No.: **756,150**

[22] Filed: **Sep. 6, 1991**

[52] U.S. Cl. .... **D12/110**

[58] Field of Search ..... **180/210, 215, 297; 296/78.1; D12/110, 907**

4,336,964	6/1982	Pivar .....	180/210
4,412,595	11/1983	Kinzel .....	180/210
4,924,959	5/1990	Harda et al. ....	180/297
4,973,082	11/1990	Kincheloe .....	296/78.1
5,094,313	3/1992	Mauws .....	180/215

*Primary Examiner*—Susan J. Lucas  
*Assistant Examiner*—M. Brown  
*Attorney, Agent, or Firm*—Zarley, McKee, Thomte, Voorhees & Sease

[57] **CLAIM**

The ornamental design for a three wheeled recreational vehicle, as shown and described.

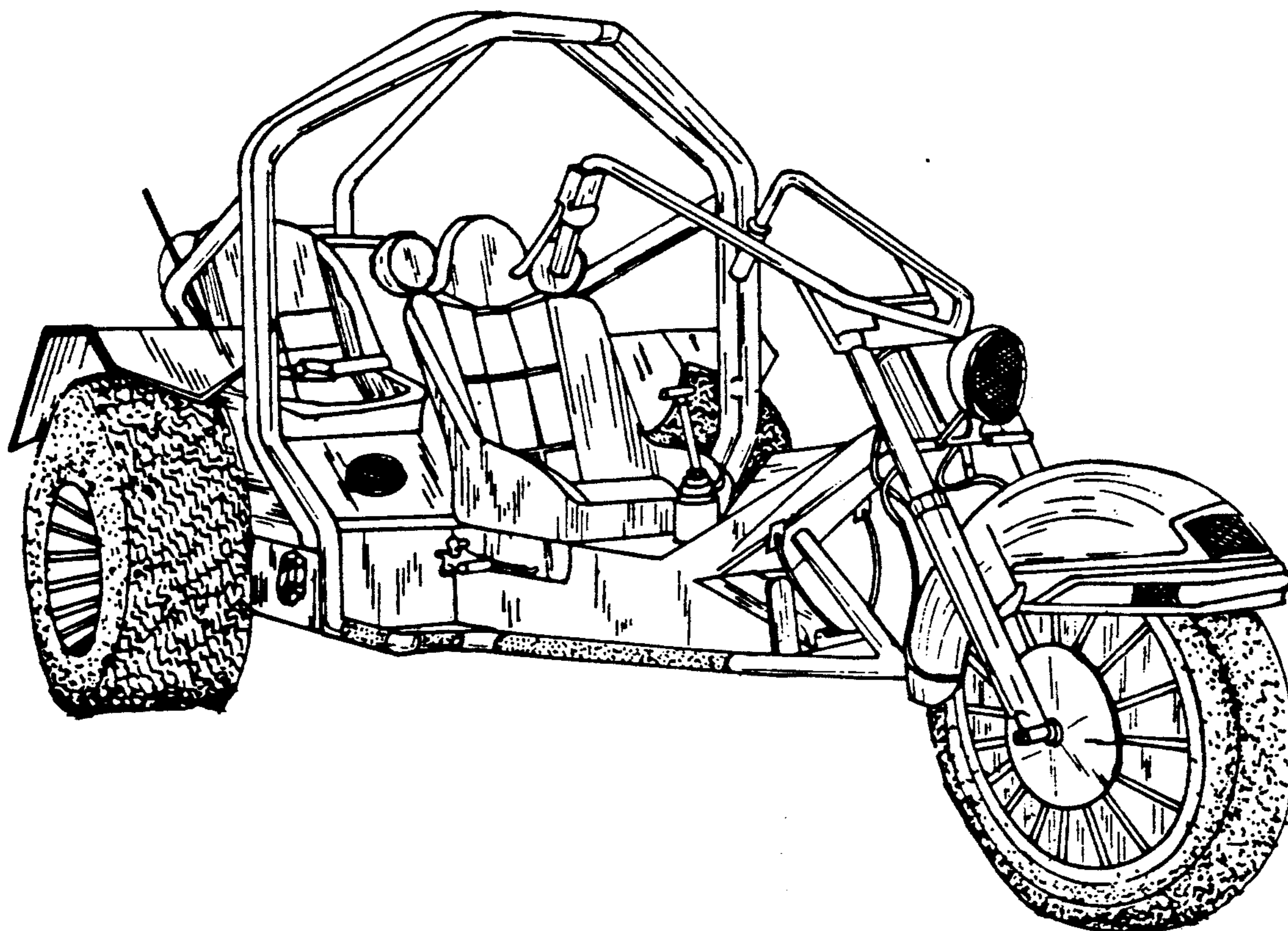
[56] **References Cited**

**U.S. PATENT DOCUMENTS**

D. 223,045	2/1972	Stull .....	D12/110
D. 246,776	12/1977	Moore .....	D12/110
D. 263,391	3/1982	Pivar .....	D12/85
D. 279,913	7/1985	Matsushiro .....	D12/110
3,776,353	12/1973	Roth .....	180/27
4,171,730	10/1979	Dow .....	293/63
4,325,448	4/1982	Pivar .....	180/210

**DESCRIPTION**

FIG. 1 is a front perspective view of a three wheeled recreational vehicle embodying my design; FIG. 2 is a right side elevational view thereof, the opposite side being the mirror image; FIG. 3 is a front elevational view thereof; FIG. 4 is a rear elevational view thereof; and, FIG. 5 is a top plan view thereof.



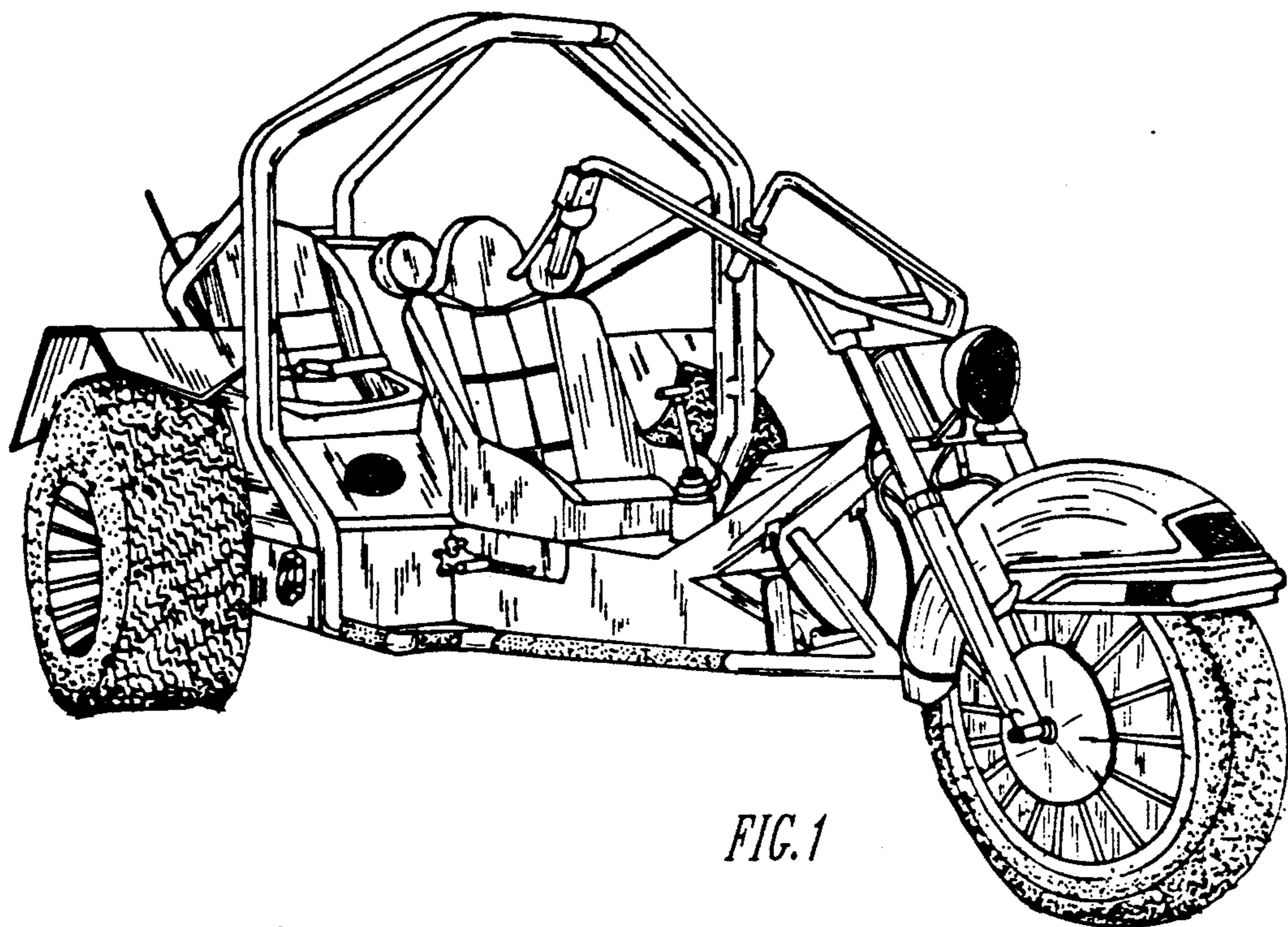


FIG. 1

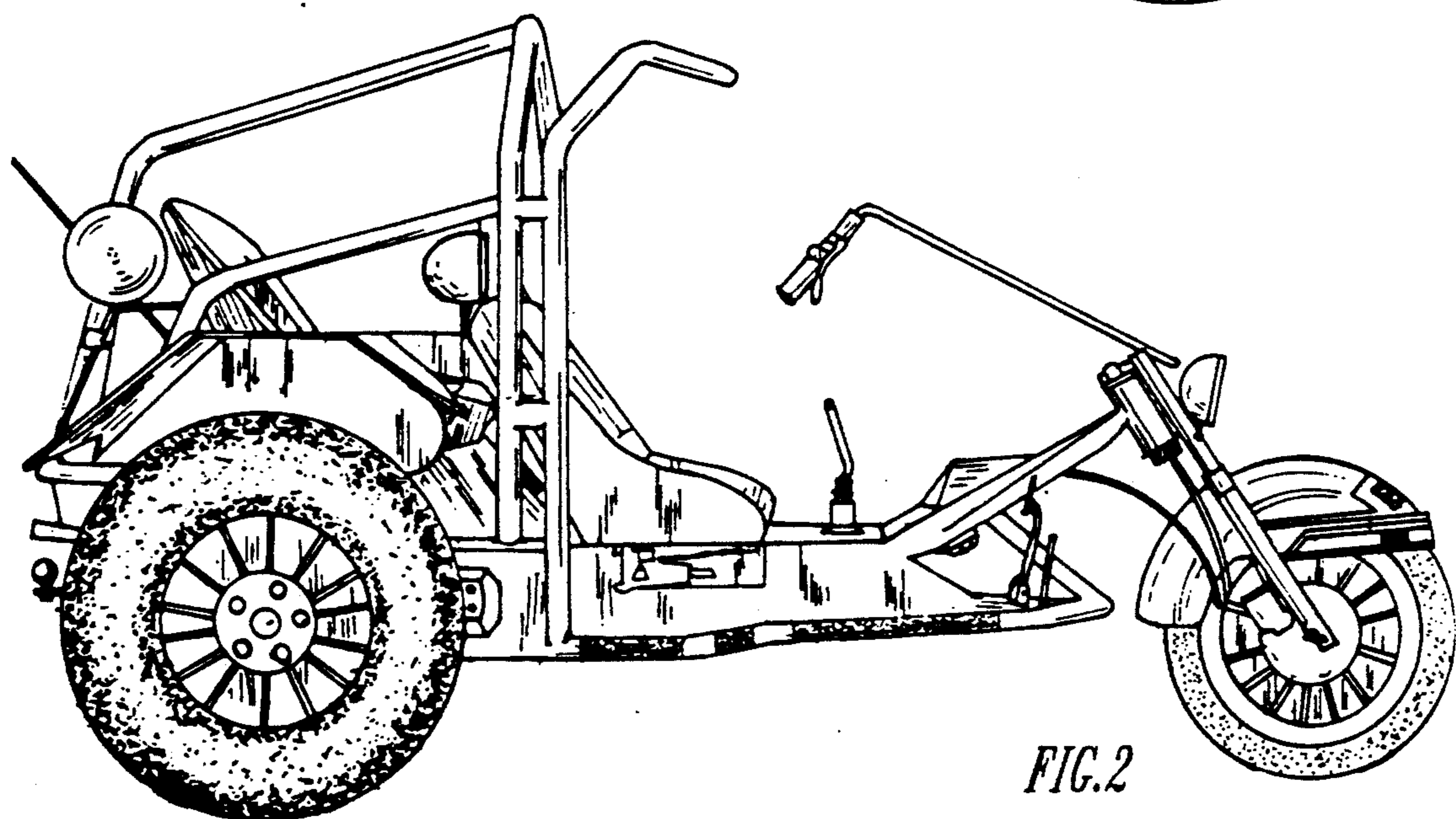


FIG. 2

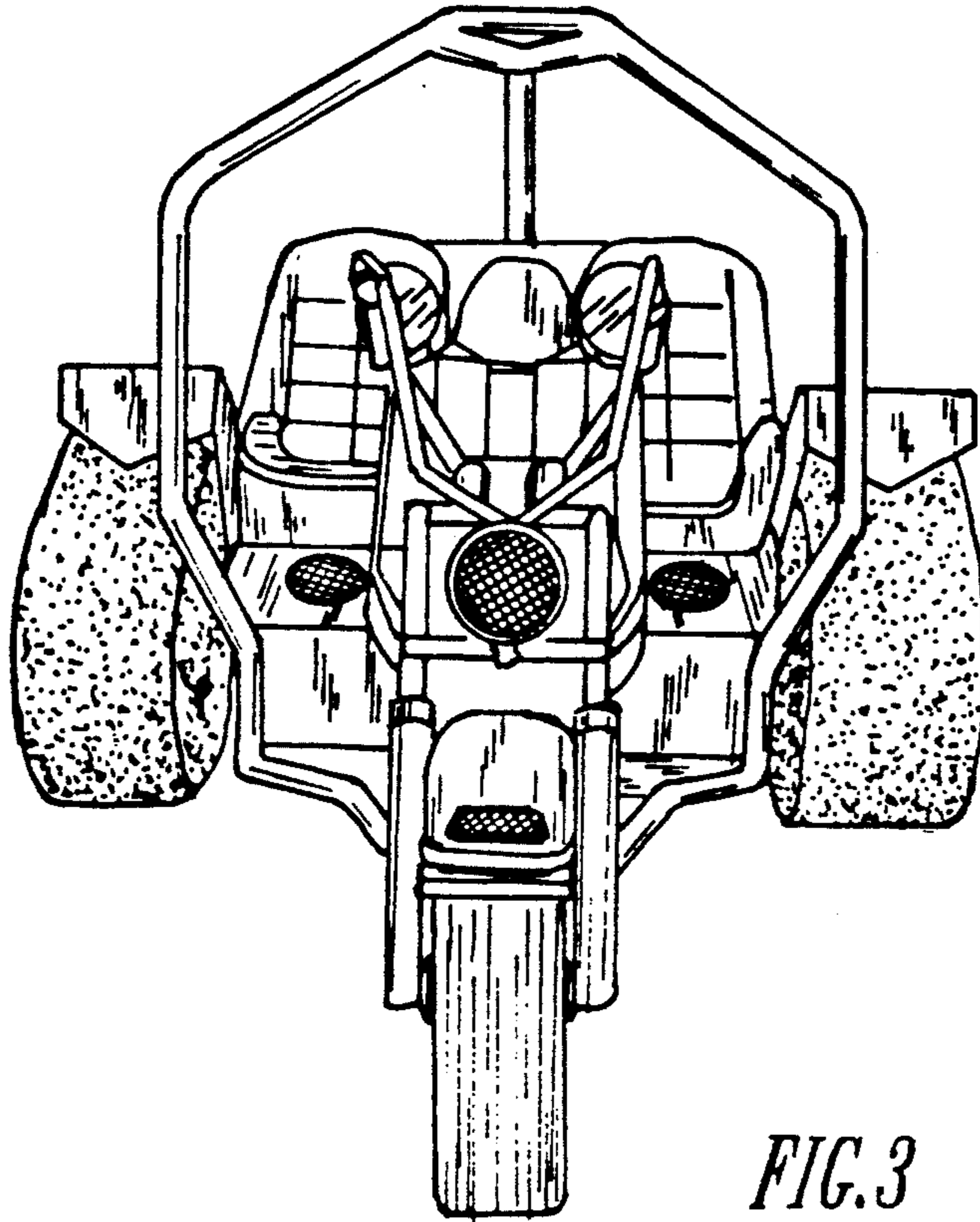


FIG. 3

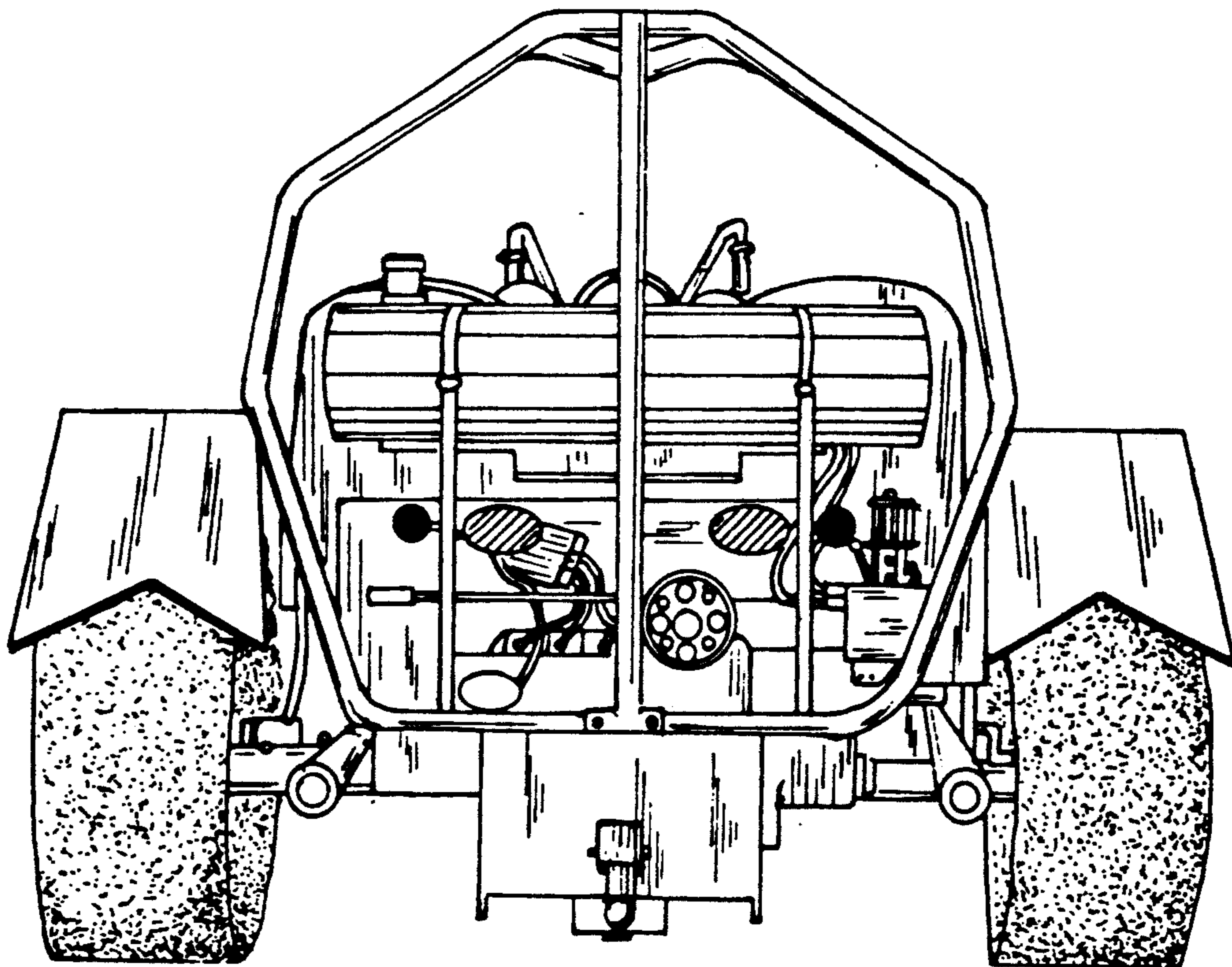


FIG. 4

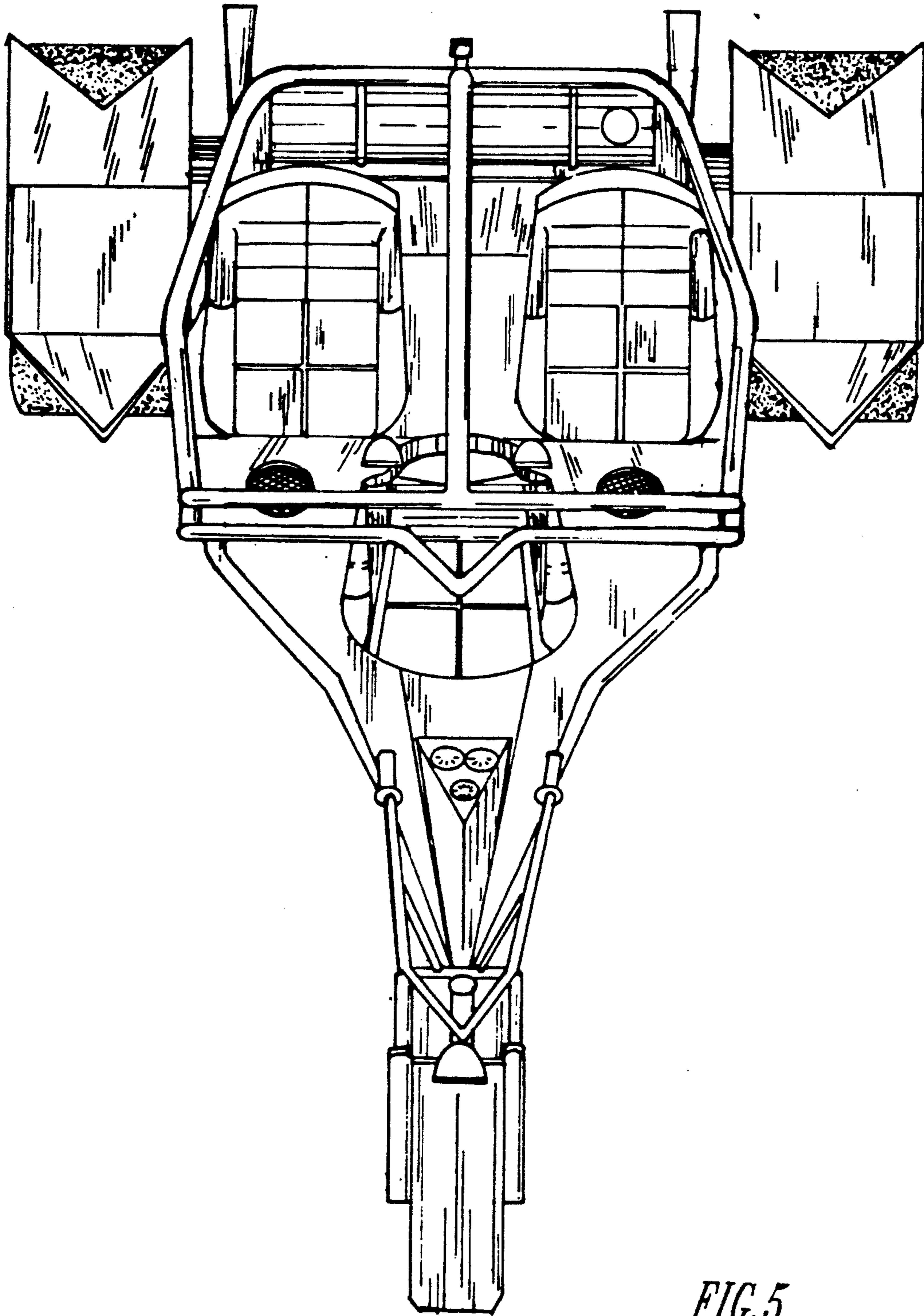


FIG. 5