



US00D348028S

# United States Patent [19]

[11] Patent Number: Des. 348,028

Sheaffer

[45] Date of Patent: \*\* Jun. 21, 1994

[54] ADJUSTABLE RADIAL FLOWER BOX

3,984,941 9/1976 Chetta .  
4,065,016 12/1977 Perkins .  
4,461,118 7/1984 Fertig .

[76] Inventor: Daniel Sheaffer, 900 Wilshire Dr.  
#302, Troy, Mich. 48084

[\*\*] Term: 14 Years

Primary Examiner—Alan P. Douglas  
Assistant Examiner—S. Snapp  
Attorney, Agent, or Firm—Terry M. Gernstein

[21] Appl. No.: 2,575

[22] Filed: Dec. 21, 1992

[57] CLAIM

[52] U.S. Cl. .... D11/156

The ornamental design for an adjustable radial flower box, as shown and described.

[58] Field of Search ..... D11/156, 143, 164;  
D30/121

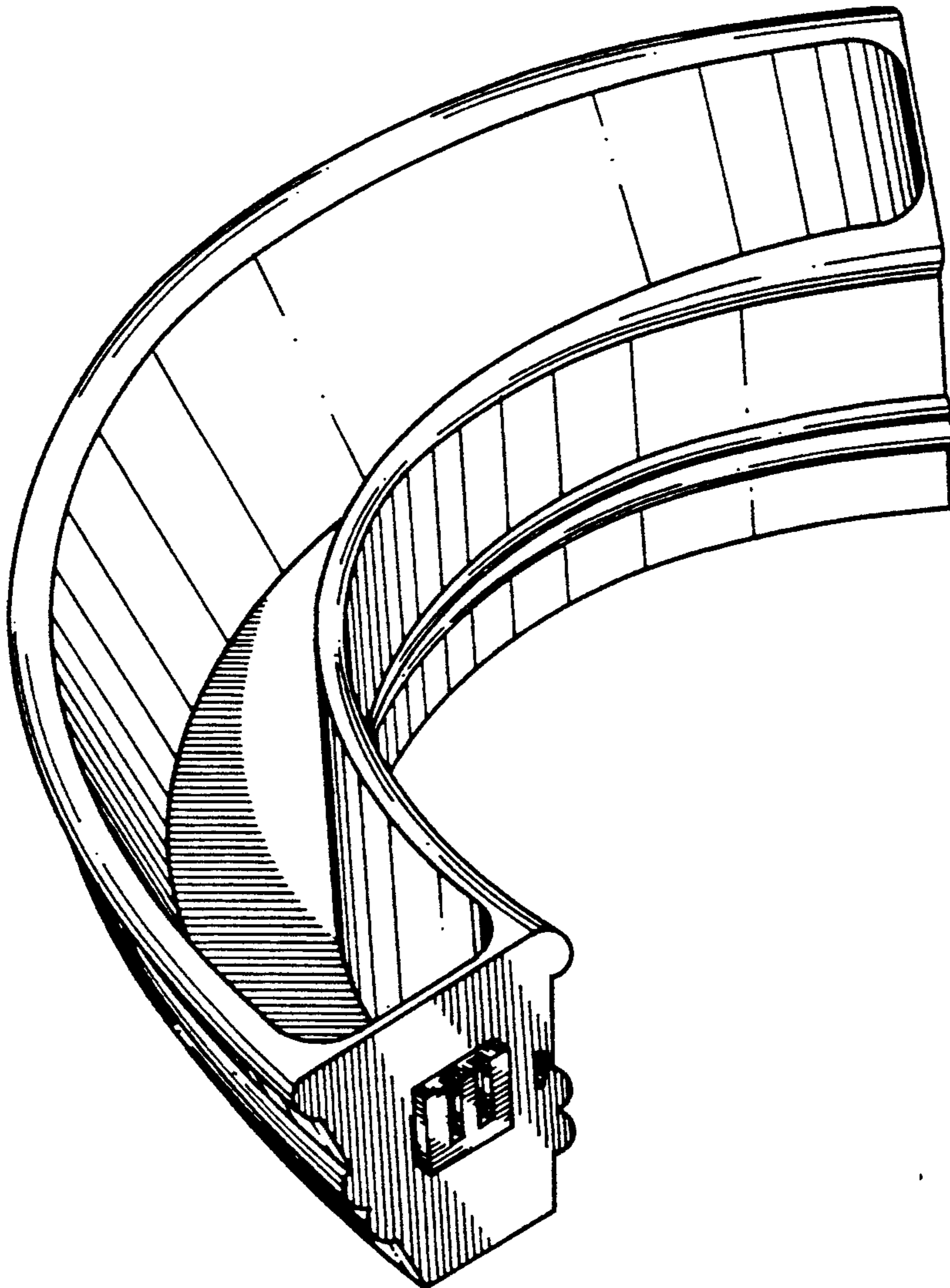
## DESCRIPTION

[56] References Cited

### U.S. PATENT DOCUMENTS

D. 255,886	7/1980	Flynn	.....	D11/156
D. 263,291	3/1982	Paton	.....	D11/156
D. 265,387	7/1982	Natgrass	.....	D11/156
D. 265,893	8/1982	Whiting	.....	D11/156
D. 278,521	4/1985	Baird et al.	.....	D11/143 X
D. 323,133	1/1992	Newmark	.....	D11/164

FIG. 1 is a front, top and side perspective view of the adjustable radial flower box showing my new design; FIG. 2 is a front elevational view thereof; FIG. 3 is a rear elevational view thereof; FIG. 4 is a side elevational view thereof; FIG. 5 is a side elevational view thereof; FIG. 6 is a top plan view thereof; and, FIG. 7 is a bottom plan view thereof.



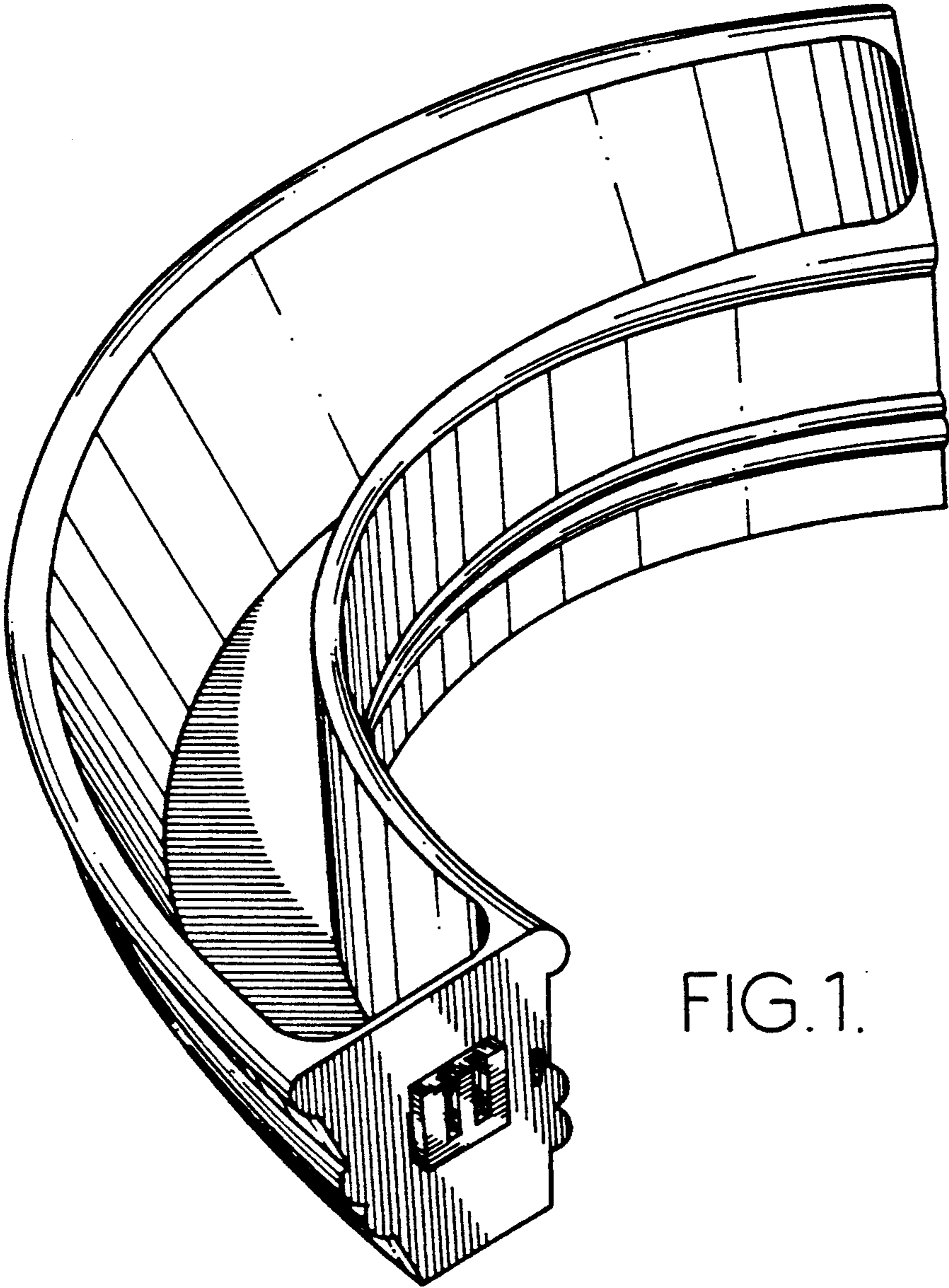


FIG.1.

FIG. 4.

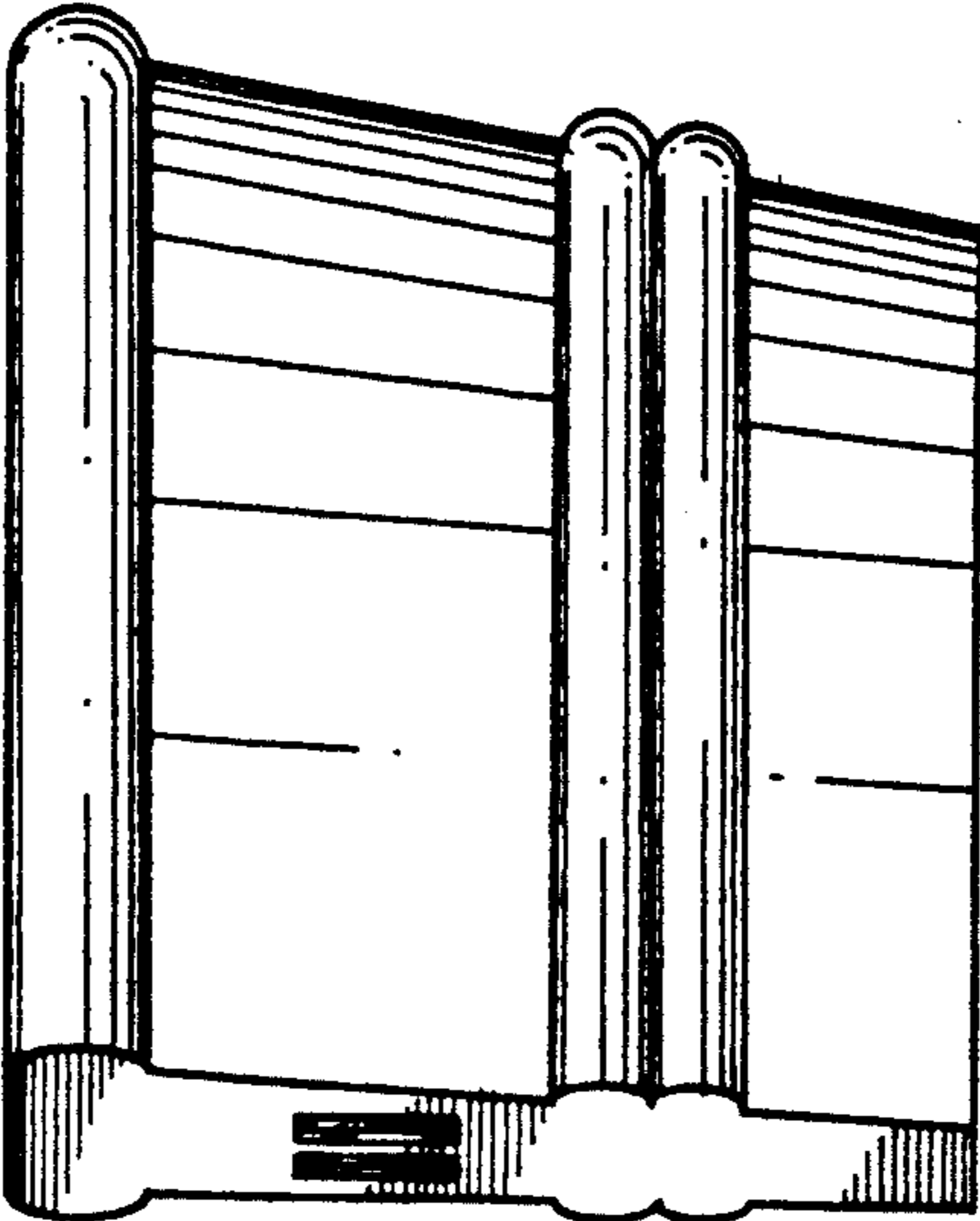
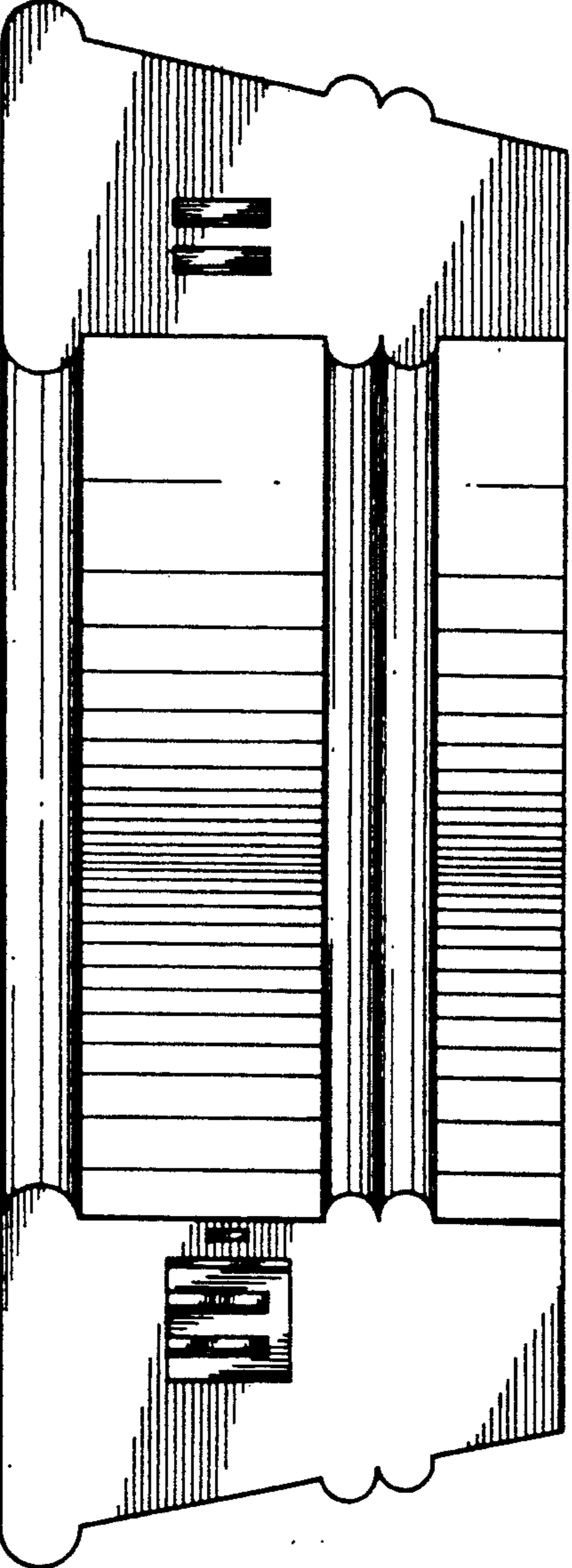


FIG. 2.



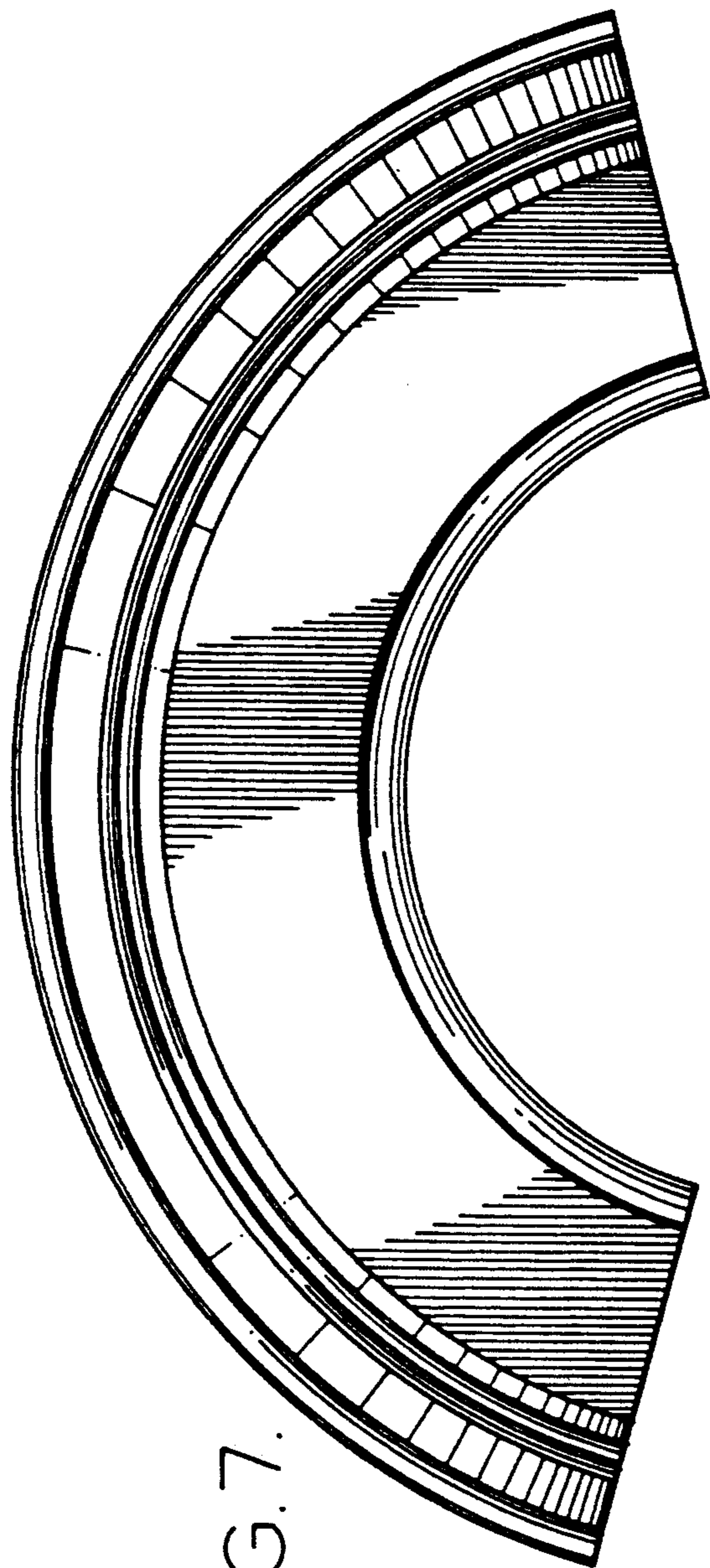


FIG. 7.

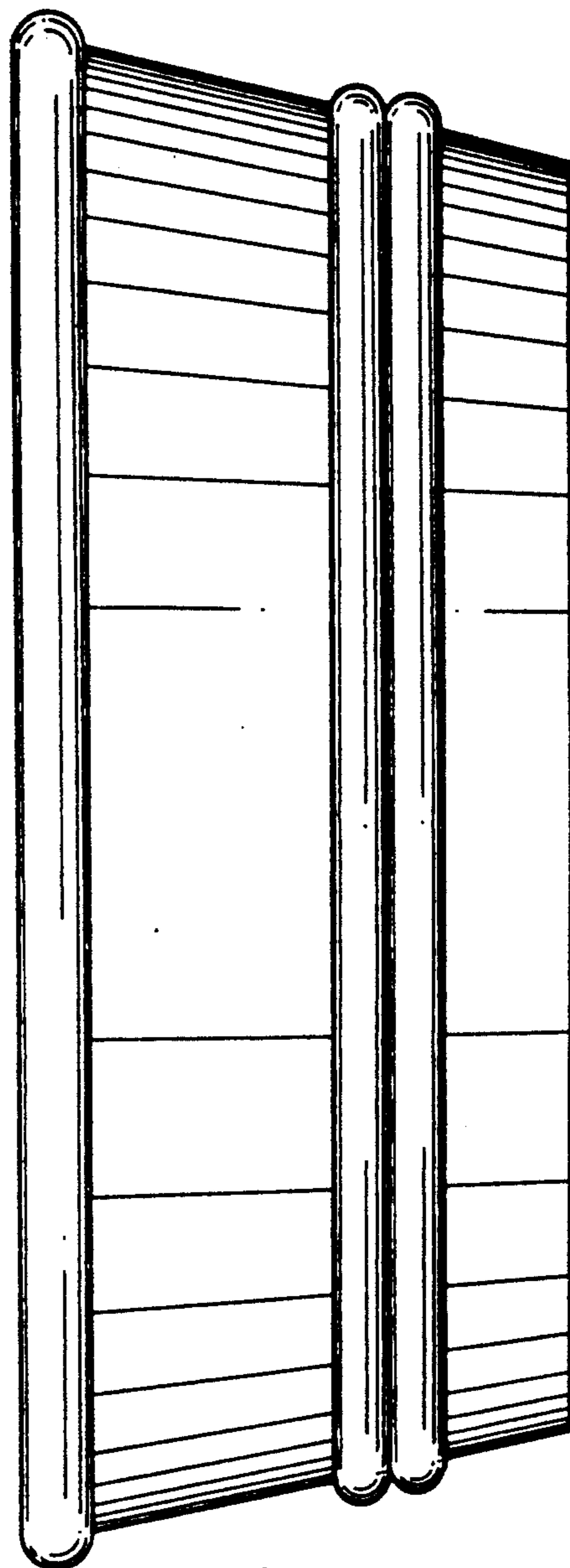


FIG. 3.

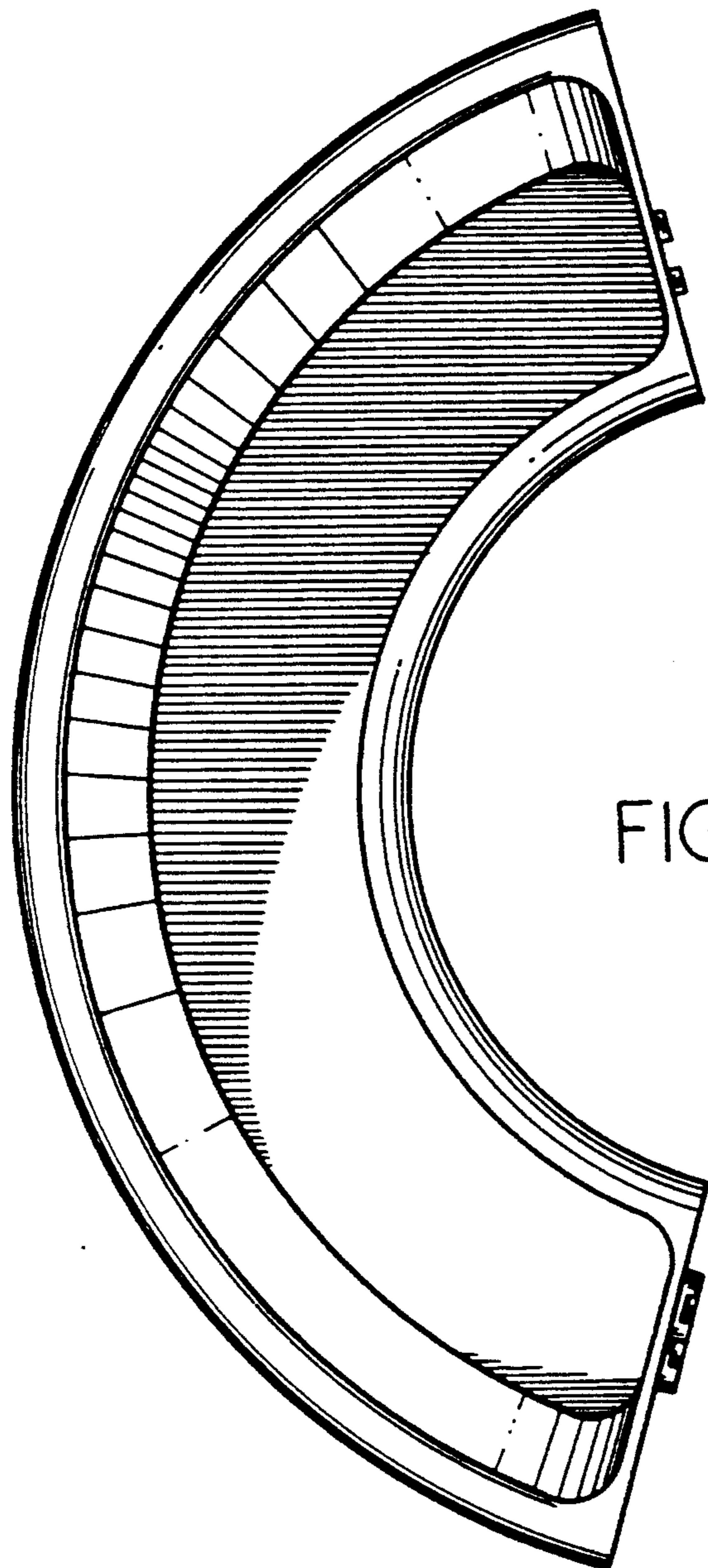


FIG. 6.

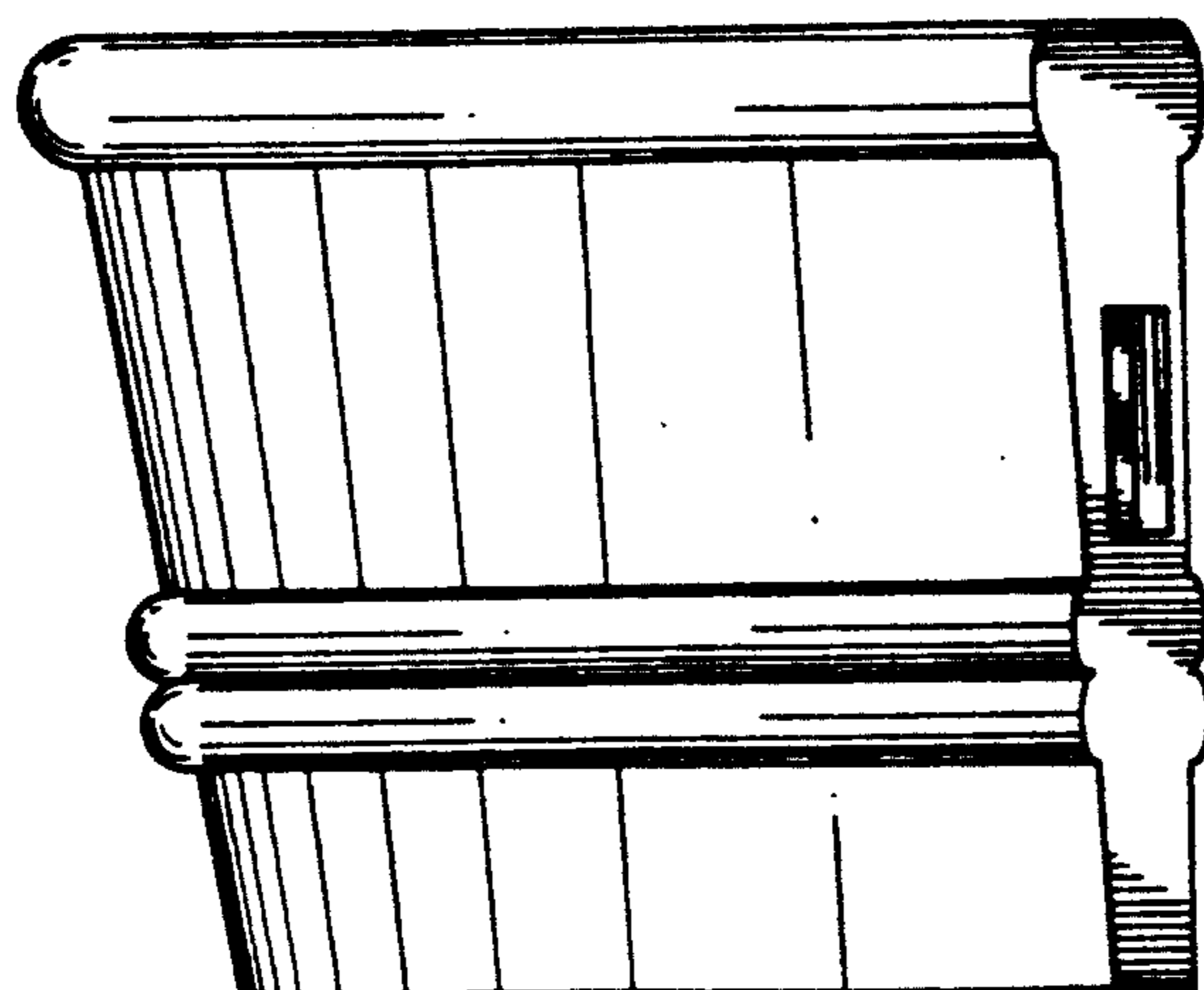


FIG. 5.