



US00D348018S

United States Patent [19]

[11] Patent Number: Des. 348,018

Poleshuk et al.

[45] Date of Patent: ** Jun. 21, 1994

[54] WATER METER, REGISTER AND HOUSING

[75] Inventors: Robert J. Poleshuk, West Warwick; Leo W. Fleury, Jr., North Smithfield, both of R.I.

[73] Assignee: Grinnell Corporation, Exeter, N.H.

[**] Term: 14 Years

[21] Appl. No.: 6,026

[22] Filed: Mar. 17, 1993

Related U.S. Application Data

[63] Continuation-in-part of Ser. No. 4,631, Feb. 9, 1993.

[52] U.S. Cl. D10/99; D10/96

[58] Field of Search 73/195, 196, 197, 198, 73/199, 200, 201, 273, 274; 116/212; D10/96, 99, 100, 101

[56] References Cited

U.S. PATENT DOCUMENTS

3,534,603	10/1970	Hook et al.	73/273
4,422,325	12/1983	Sutherland et al.	73/273
4,663,970	5/1987	Sutherland	73/273

OTHER PUBLICATIONS

Badger Meter, Inc., Technical Brief for Cold Water Bronze Disc Meters, RD-5-5, date unknown.

Neptune Water Meter Company Condensed Catalog, Jun. 1985-5M.

Neptune Automatic Reading and Billing System, Form No. R603 5M, date unknown.

Neptune Trident Turbine Cold Water Meters Sizes 3" and 4", 5.7M Mar. 1984.

Sensus Technologies, Inc. Water Measurement Equipment and Systems, 1991.

ABB, Kent Meters, Inc., Kent Turbine Meters Model T-3000 Bronze, Magnetic Drive, Round Flanged Ends, Size 4", Specification Sheet, T3-BZ-230/9-88.

BBC, Kent Meters, Inc., 3 Field-Proven Solutions for

Improving your Revenue Earning Capacity Significantly Reader Inquiry Service No. 554, date unknown. Neptune Trident Turbine Meters, Form 419A, May 1975.

Neptune, Trident Water Meters, Form 421-2, date unknown.

Neptune Meter Company, Liquid Meter Division, Form 421-4, Jan. 1969.

Neptune Meter Company, Liquid Meter Division, Form A2-ST3, date unknown.

Neptune Meter Company, The New Triseal, 1963.

Badger Meter, Inc. Flow Products Division, Badger Recordall Water Meters Models 70 and 120, RCD-75.

Neptune Condensed Catalog 5/88-5M.

Neptune Condensed Catalog 6/86-5M.

Rockwell International, Water Measurement Equipment & Systems, 1987.

Primary Examiner—Alan P. Douglas

Assistant Examiner—Antoine D. Davis

Attorney, Agent, or Firm—Fish & Richardson

[57] CLAIM

The ornamental design for a water meter, register and housing, as shown and described.

DESCRIPTION

FIG. 1 is a perspective view of a water meter register and housing showing our new design;

FIG. 2 is another perspective view, shown with the lid in an open condition;

FIG. 3 is a front elevational view;

FIG. 4 is a rear elevational view;

FIG. 5 is another front elevational view, shown with the lid in an open condition;

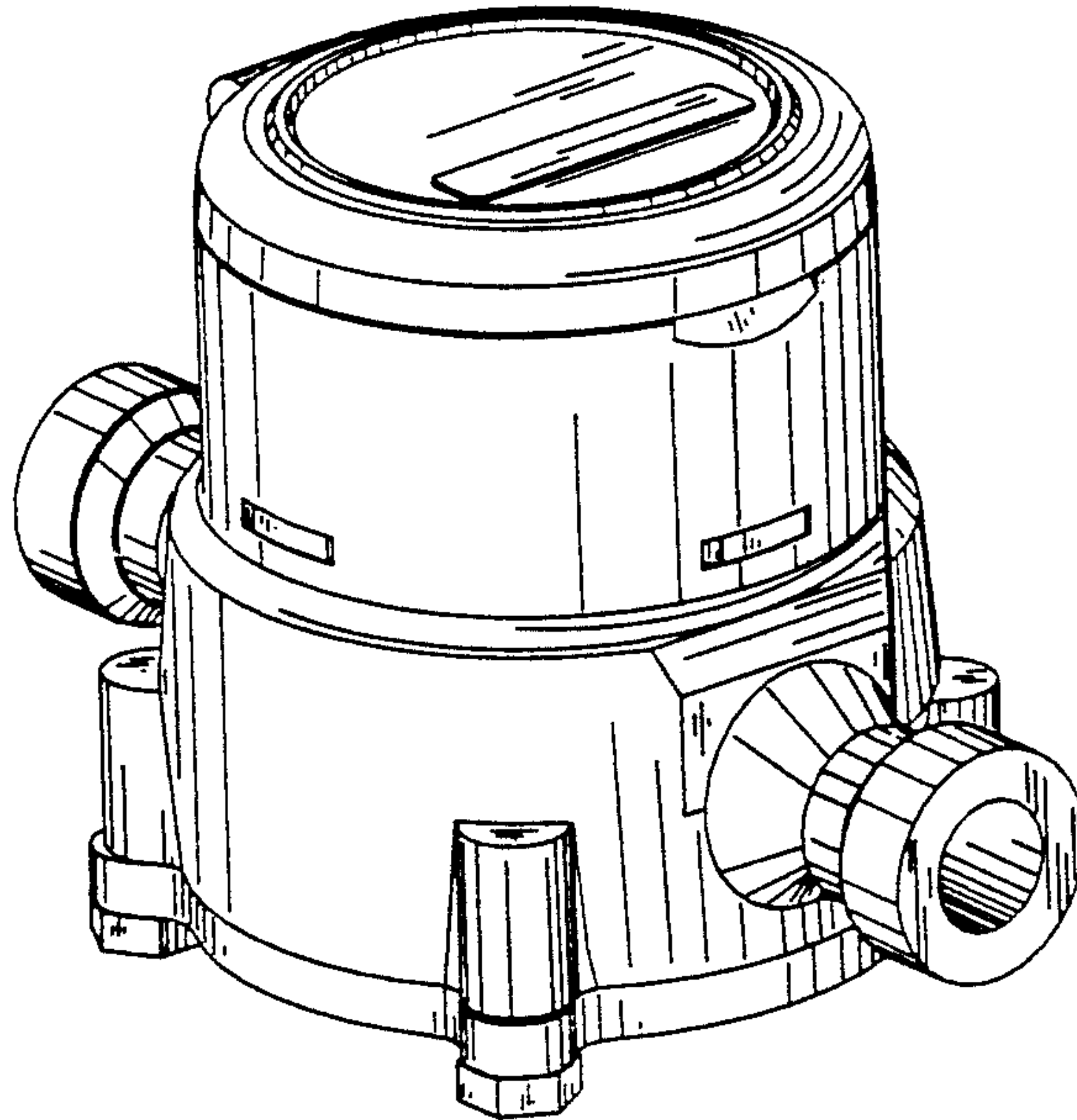
FIG. 6 is a top plan view;

FIG. 7 is another top plan view, shown with the lid in an open condition;

FIG. 8 is a right side elevational view;

FIG. 9 is a left side elevational view; and,

FIG. 10 is a bottom plan view thereof.



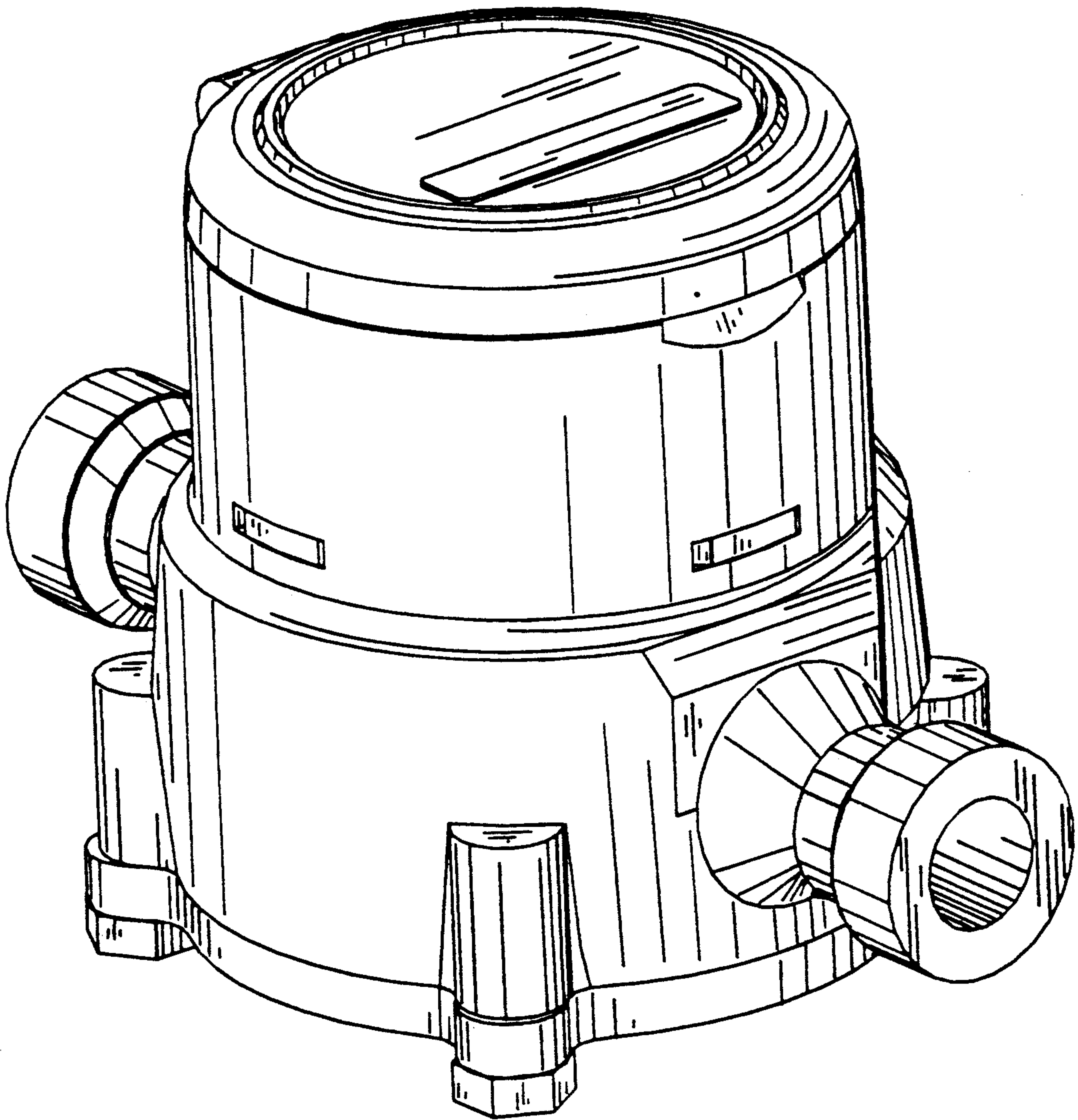


FIG. 1

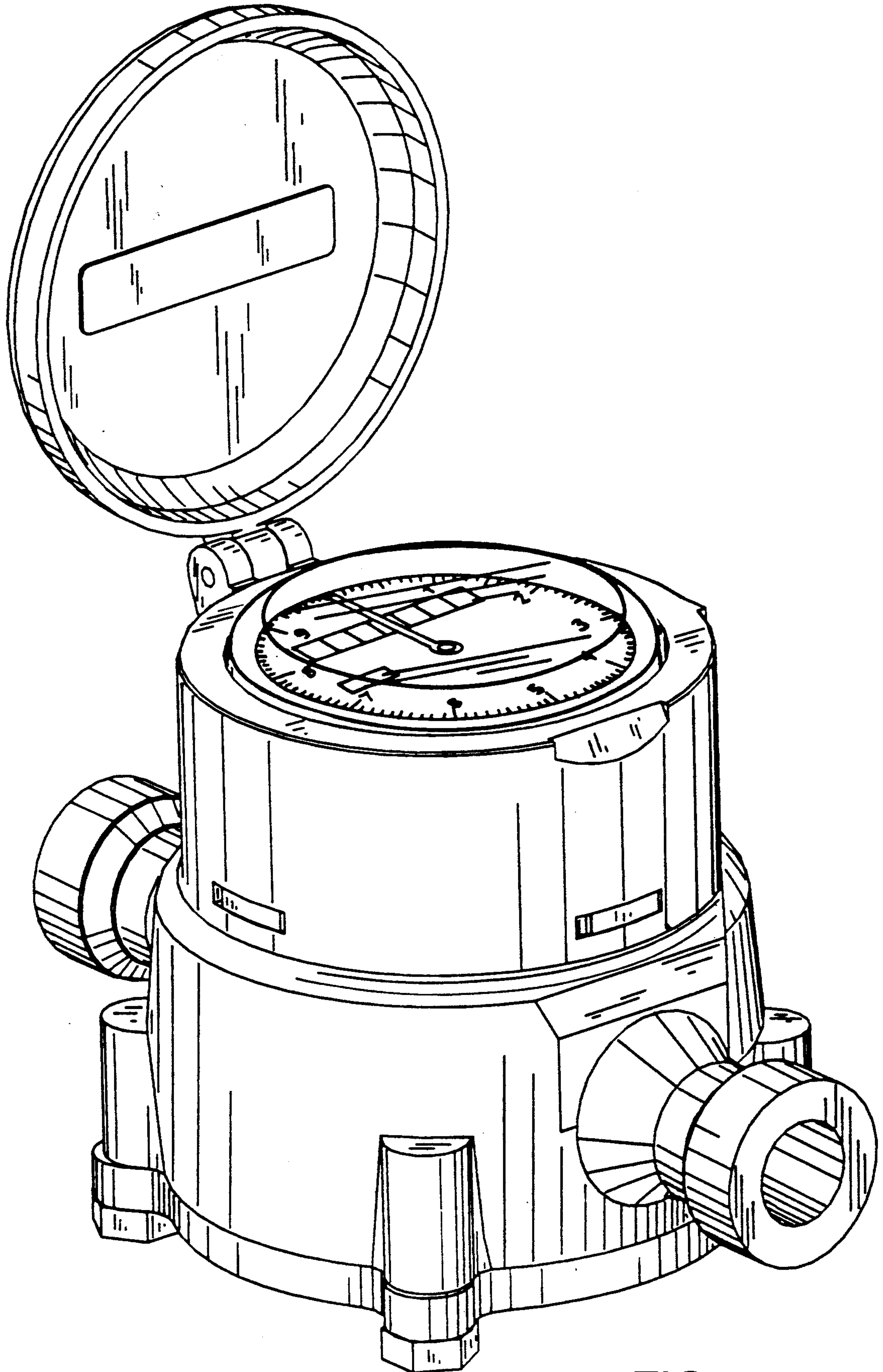


FIG. 2

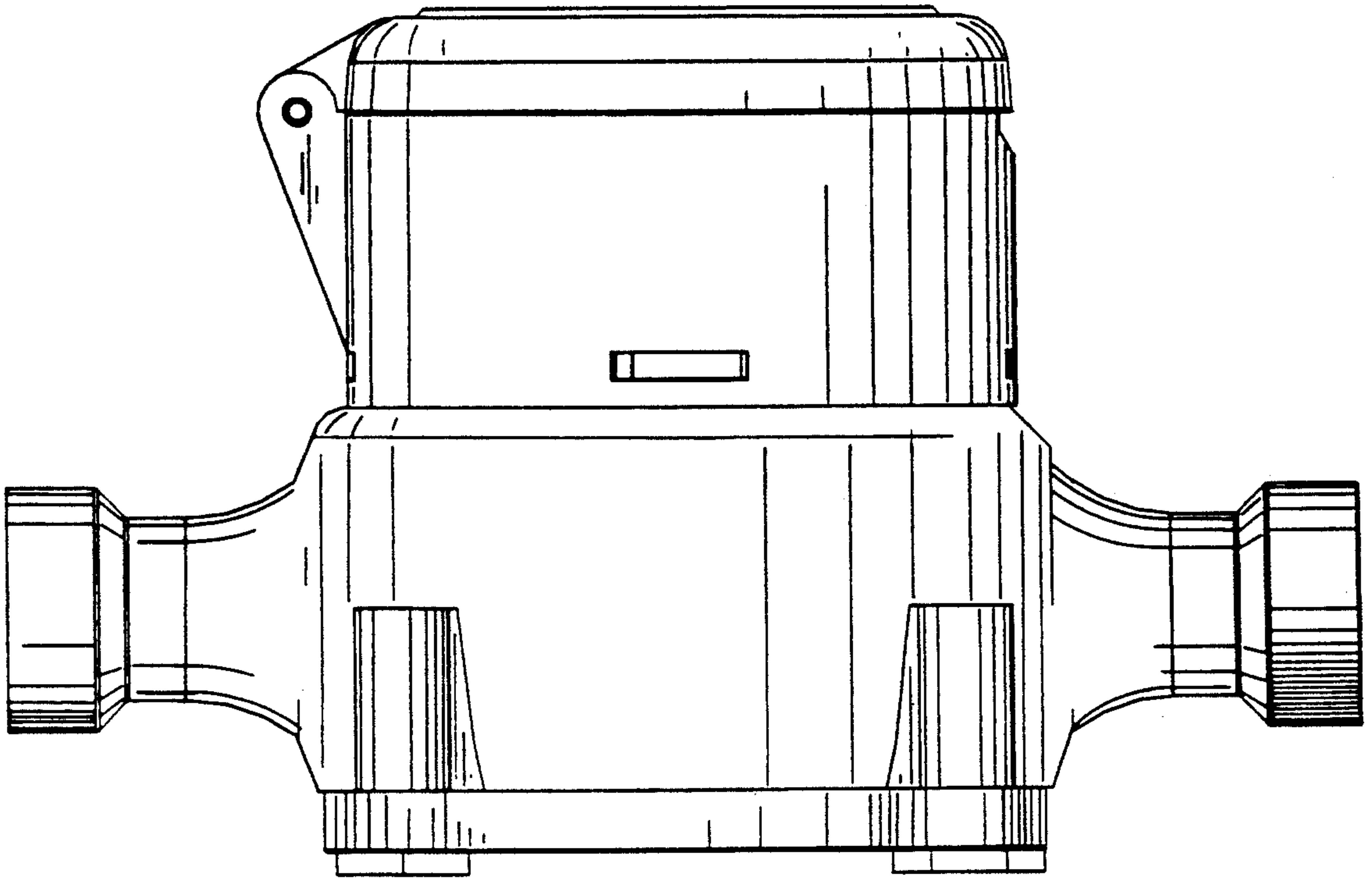


FIG. 3

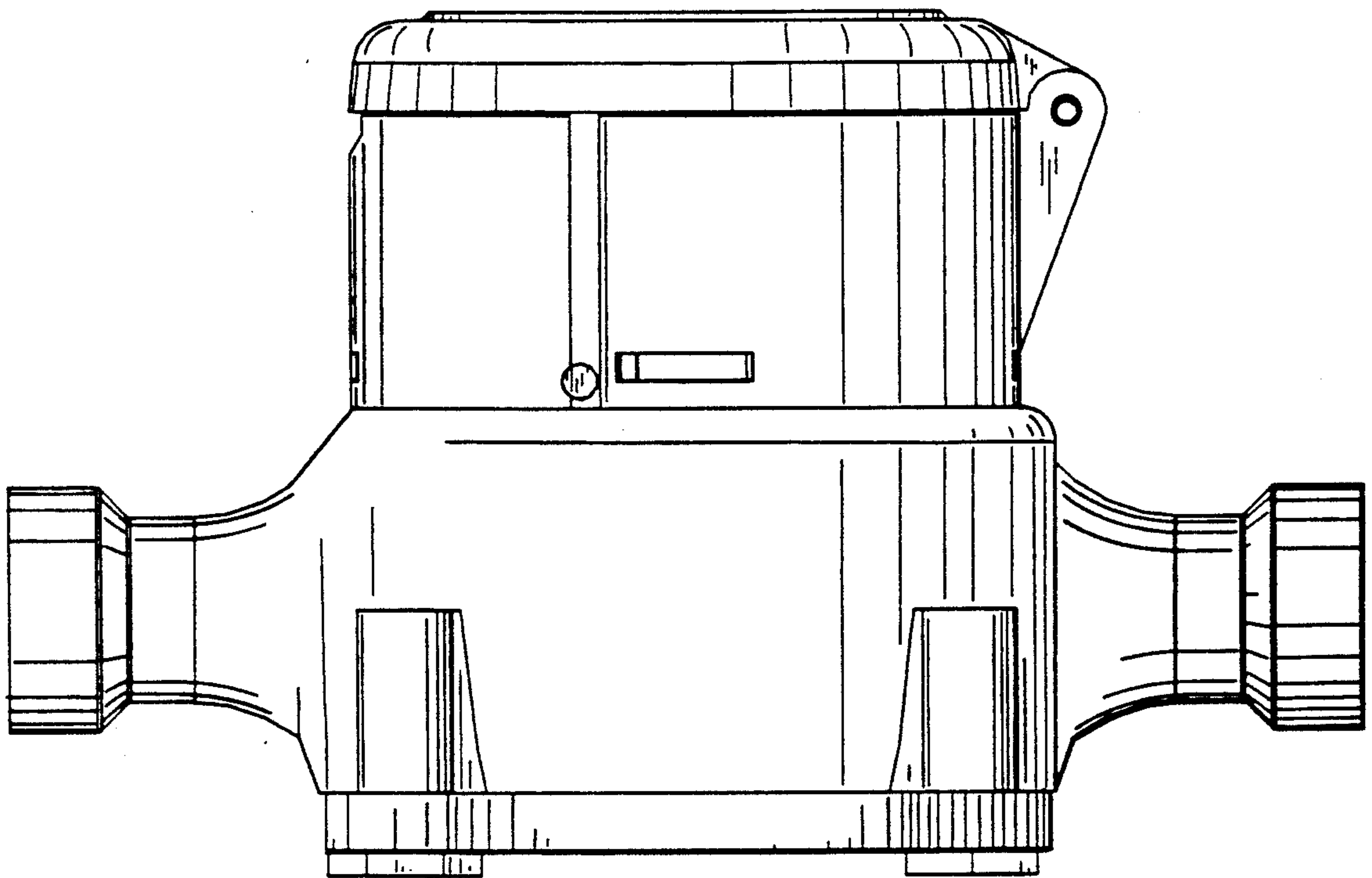


FIG. 4

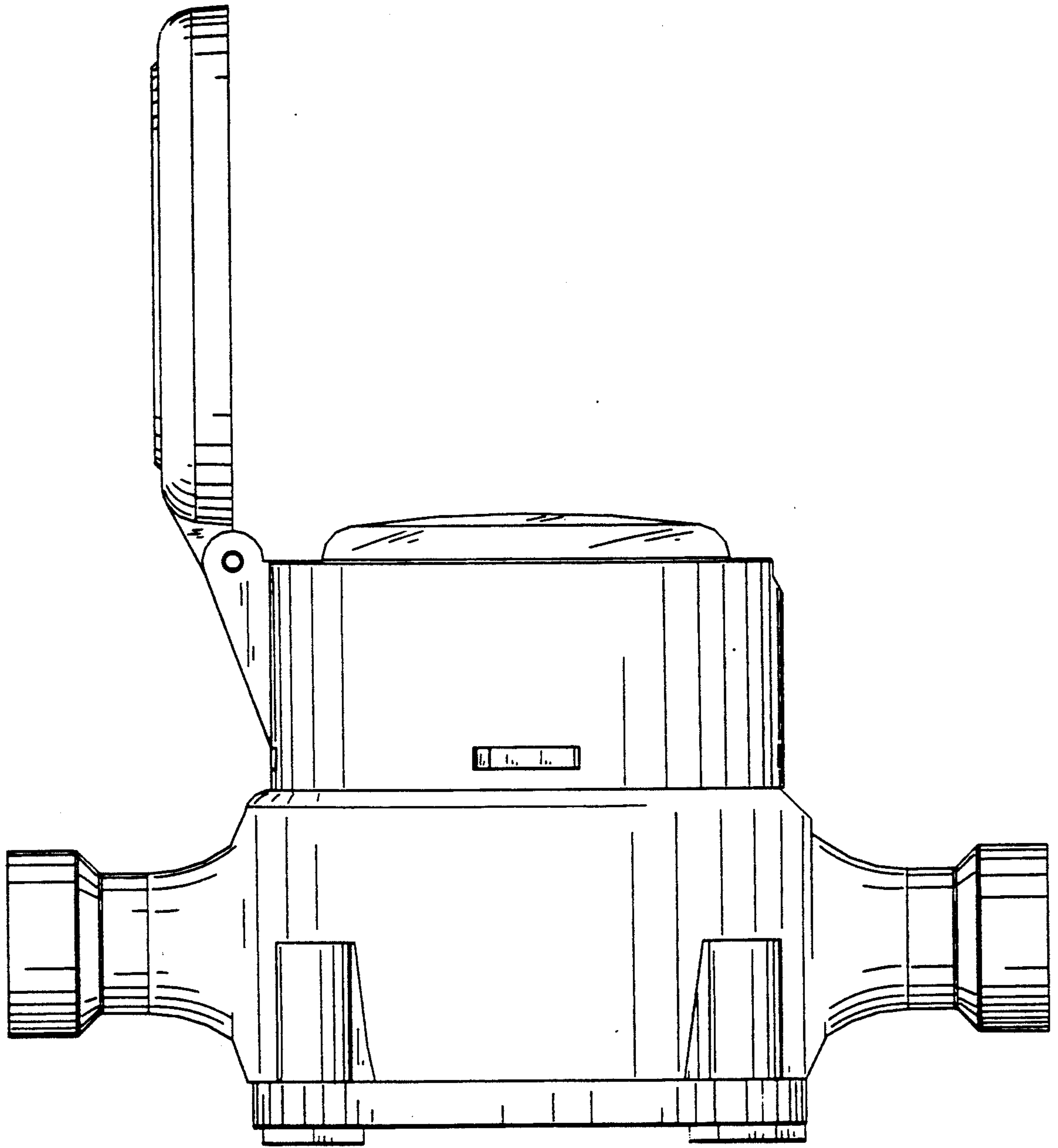


FIG. 5

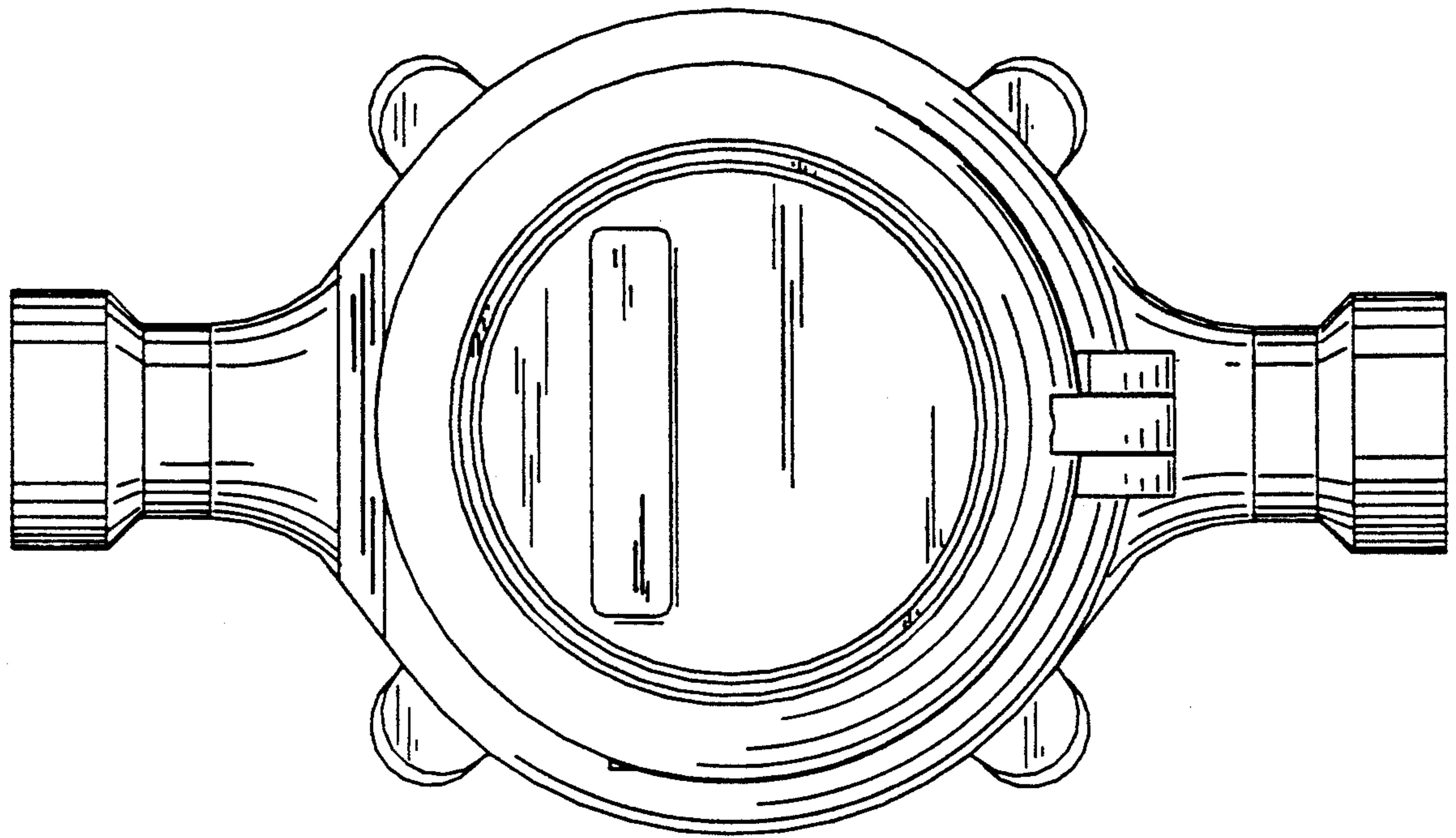


FIG. 6

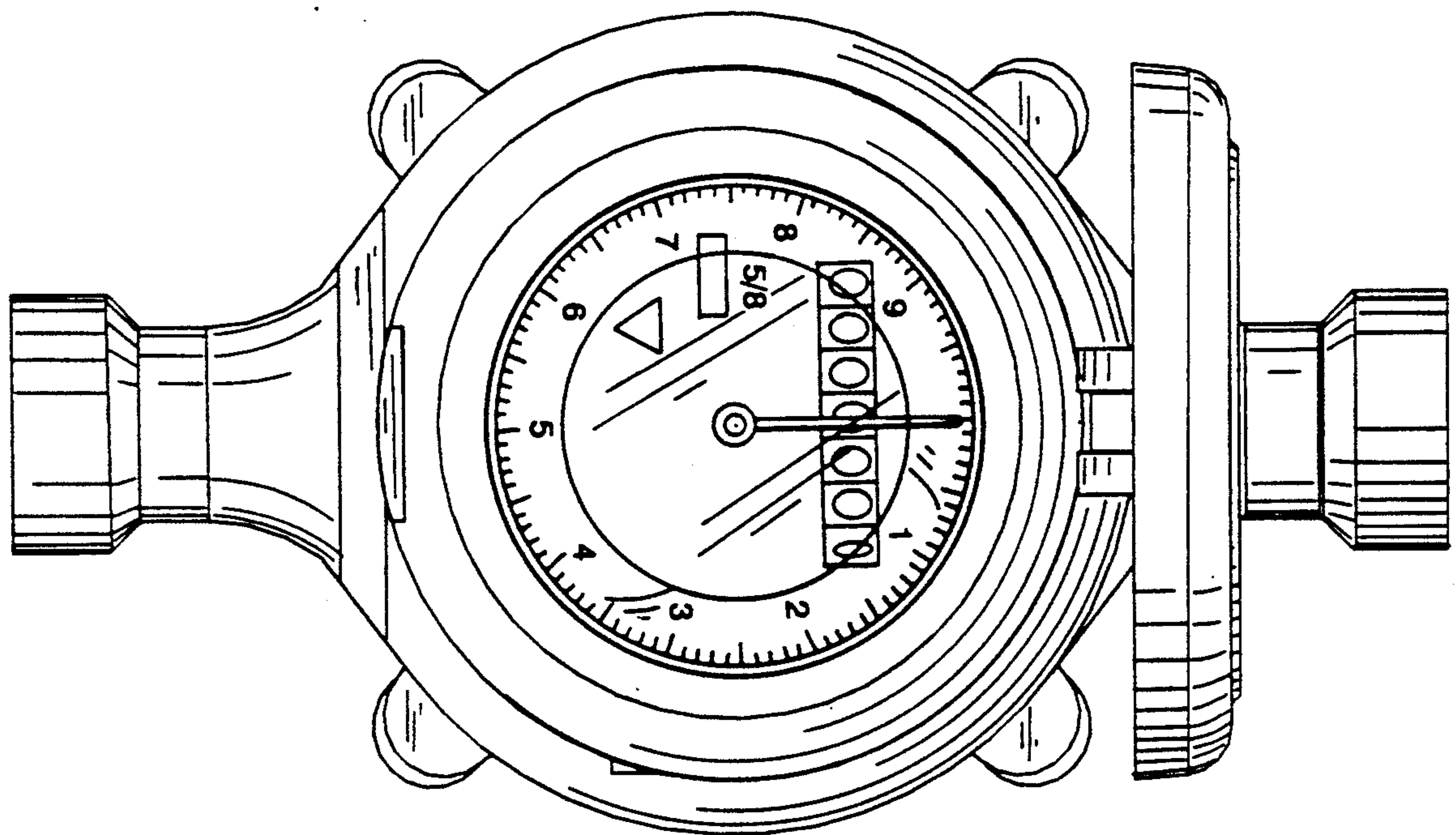


FIG. 7

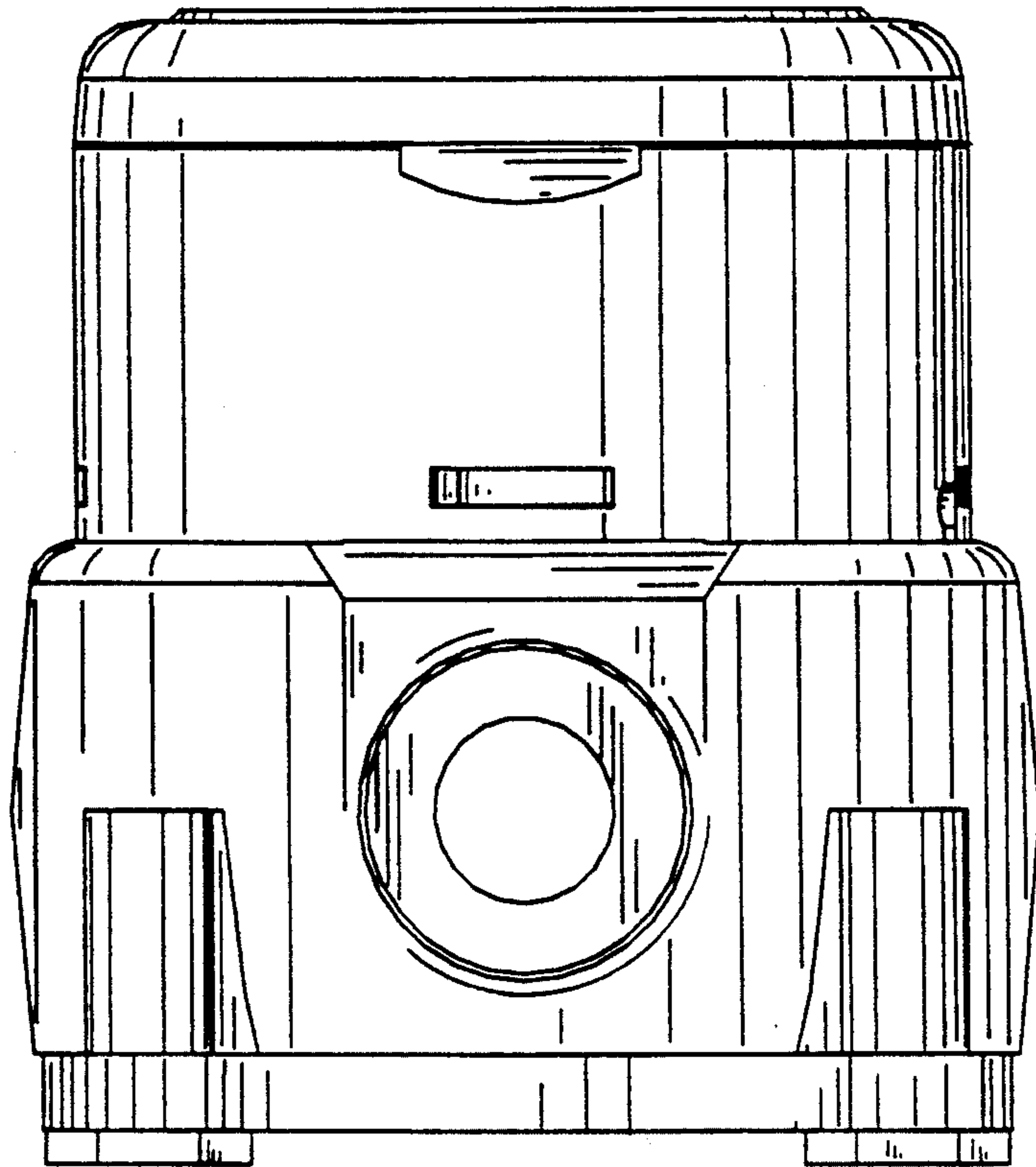


FIG. 8

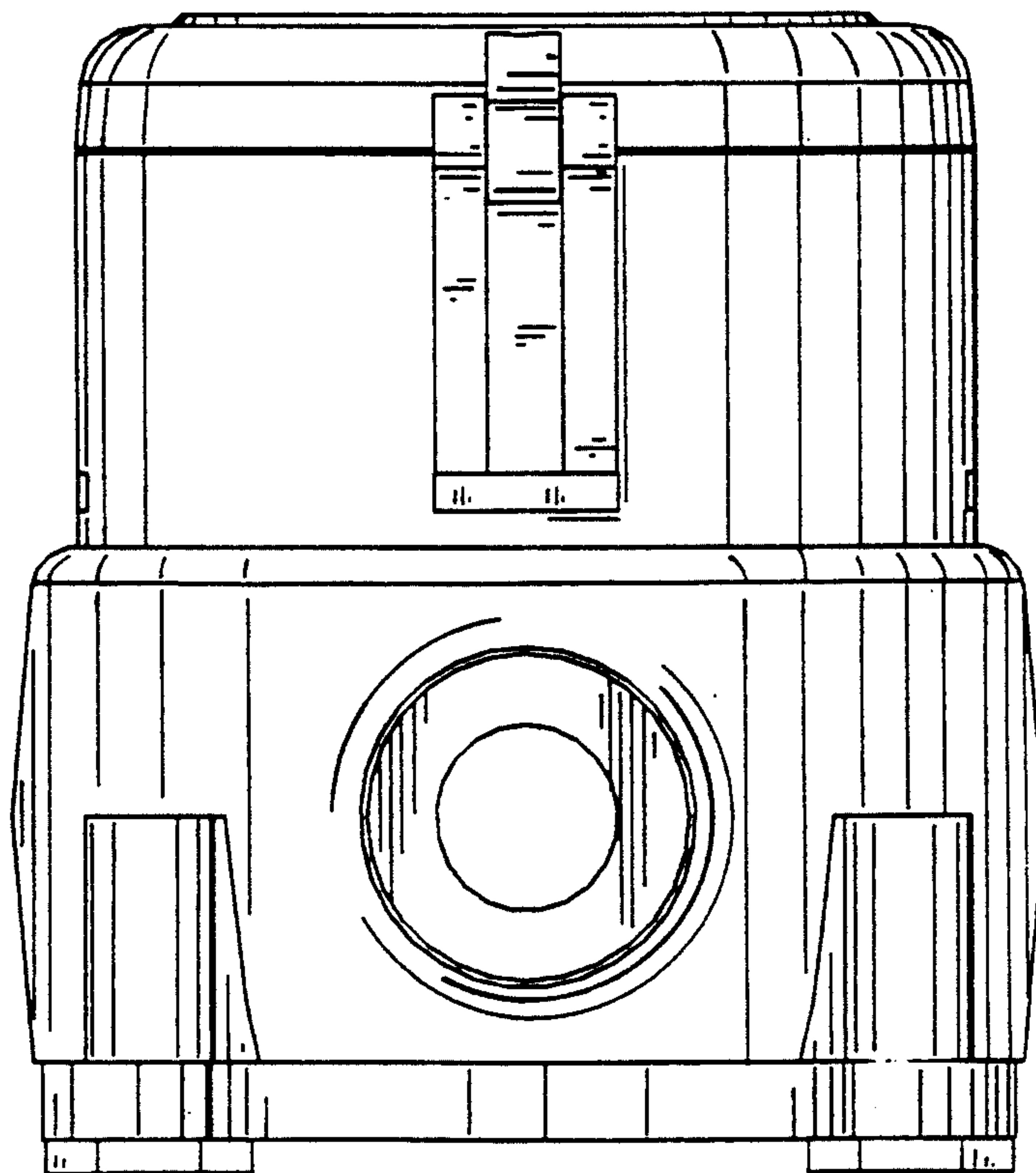


FIG. 9

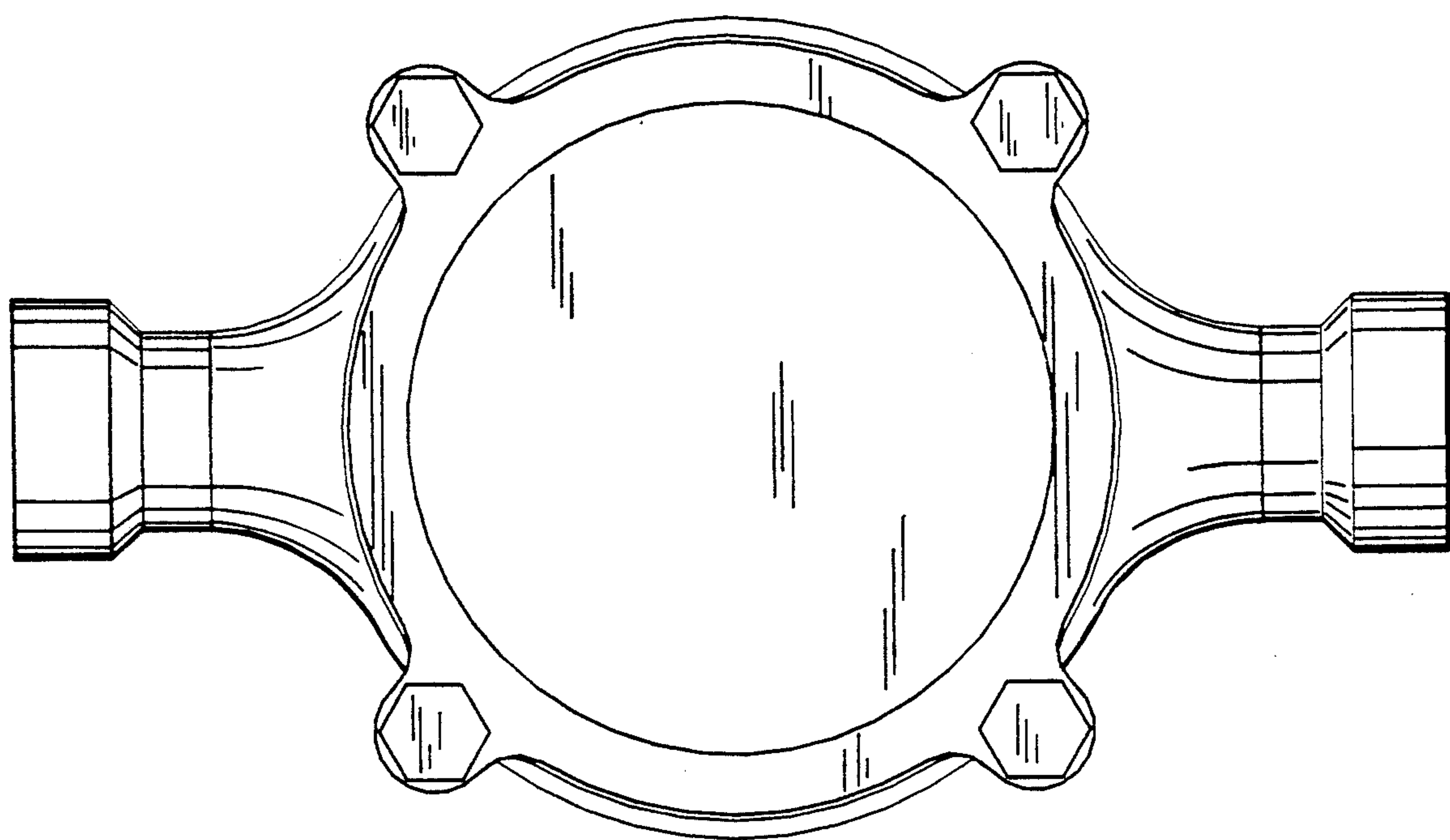


FIG. 10