



US00D348016S

United States Patent [19]

[11] Patent Number: **Des. 348,016**

Gautieri et al.

[45] Date of Patent: **** Jun. 21, 1994**

[54] **CABLE LOCATER**

[75] Inventors: **Steven P. Gautieri, Gladstone, Mo.;
Ronald B. Kemnitzer, Leawood,
Kans.; Terri L. Erickson, Kansas
City; Dana A. Thrutchley, Raytown,
both of Mo.**

[73] Assignee: **Rycom Instruments, Inc., Raytown,
Mo.**

[**] Term: **14 Years**

[21] Appl. No.: **819,948**

[22] Filed: **Jan. 13, 1992**

[52] U.S. Cl. **D10/78**

[58] Field of Search **324/66, 329, 326, 327,
324/328; 116/200, 201; 379/6, 21-26, 147;
D10/78**

[56]

References Cited

U.S. PATENT DOCUMENTS

| | | | |
|------------|---------|-----------------------|-----------|
| D. 335,094 | 4/1993 | Ingalsloe et al. | D10/78 |
| 5,055,793 | 10/1991 | Mulcahey | 324/326 |
| 5,093,622 | 3/1992 | Balkman | 324/326 |
| 5,097,211 | 3/1992 | Schonstedt | 324/326 |
| 5,138,761 | 8/1992 | Schonstedt | 324/326 X |

Primary Examiner—Alan P. Douglas
Assistant Examiner—Antoine D. Davis
Attorney, Agent, or Firm—William B. Kircher

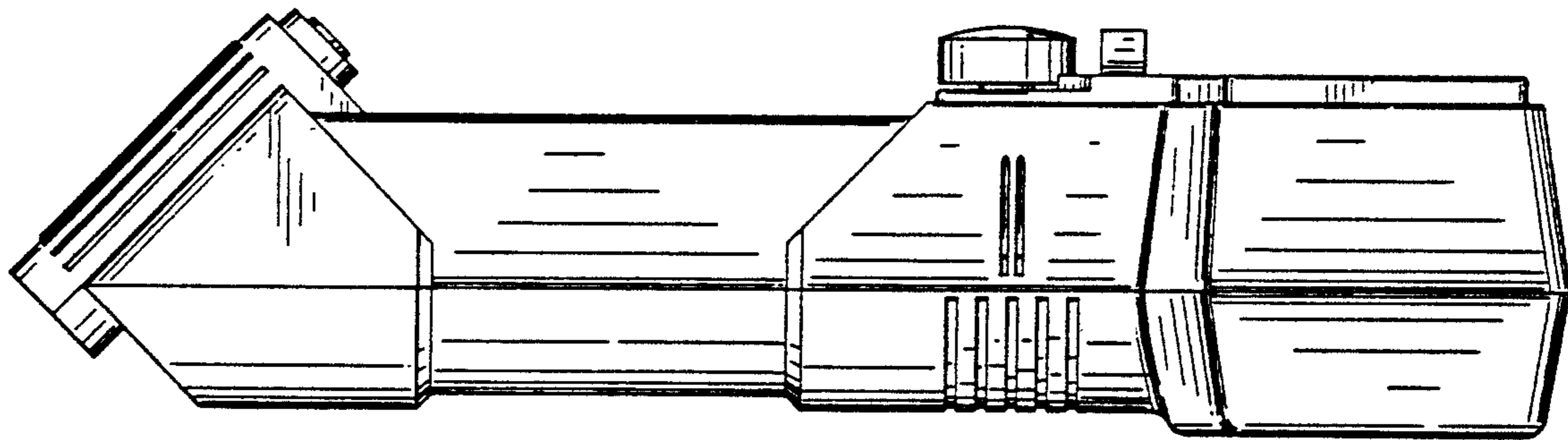
[57]

CLAIM

The ornamental design for a cable locator, as shown and described.

DESCRIPTION

FIG. 1 is a side elevational view of a cable locator according to the present invention;
FIG. 2 is a top plan view thereof;
FIG. 3 is a left end elevational view thereof;
FIG. 4 is a right end elevational view thereof;
FIG. 5 is a side elevational opposite FIG. 1 view thereof; and,
FIG. 6 is a bottom plan view thereof.



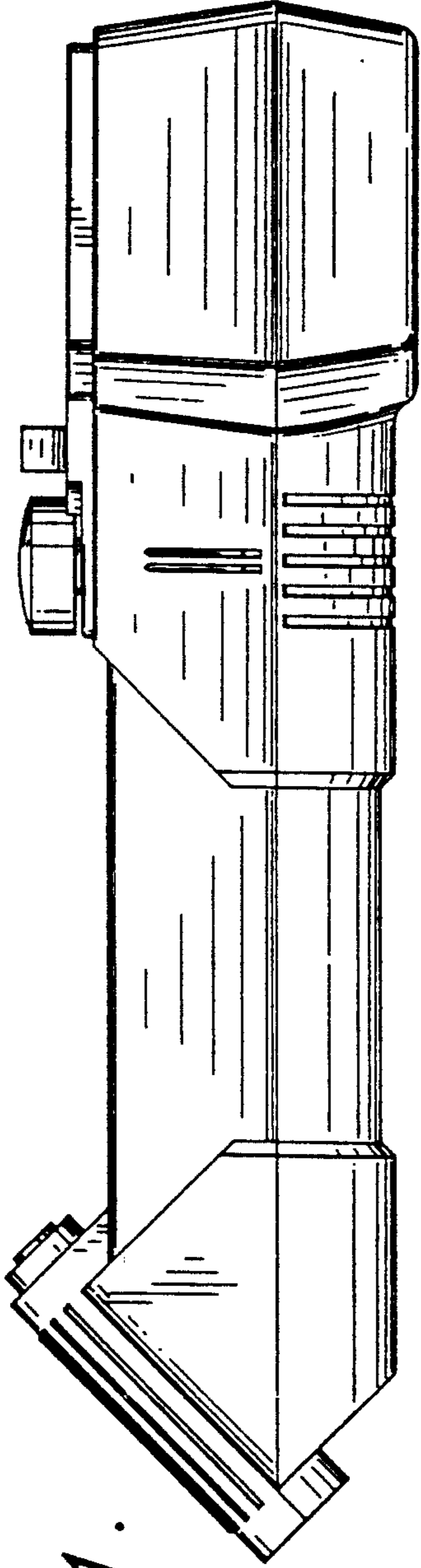


Fig. 1.

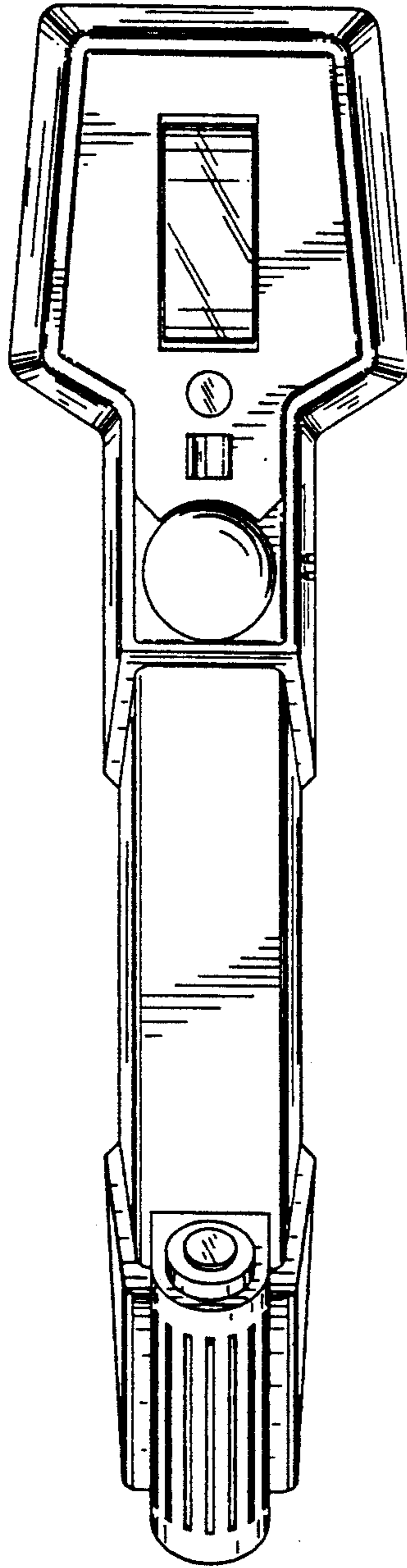


Fig. 2.

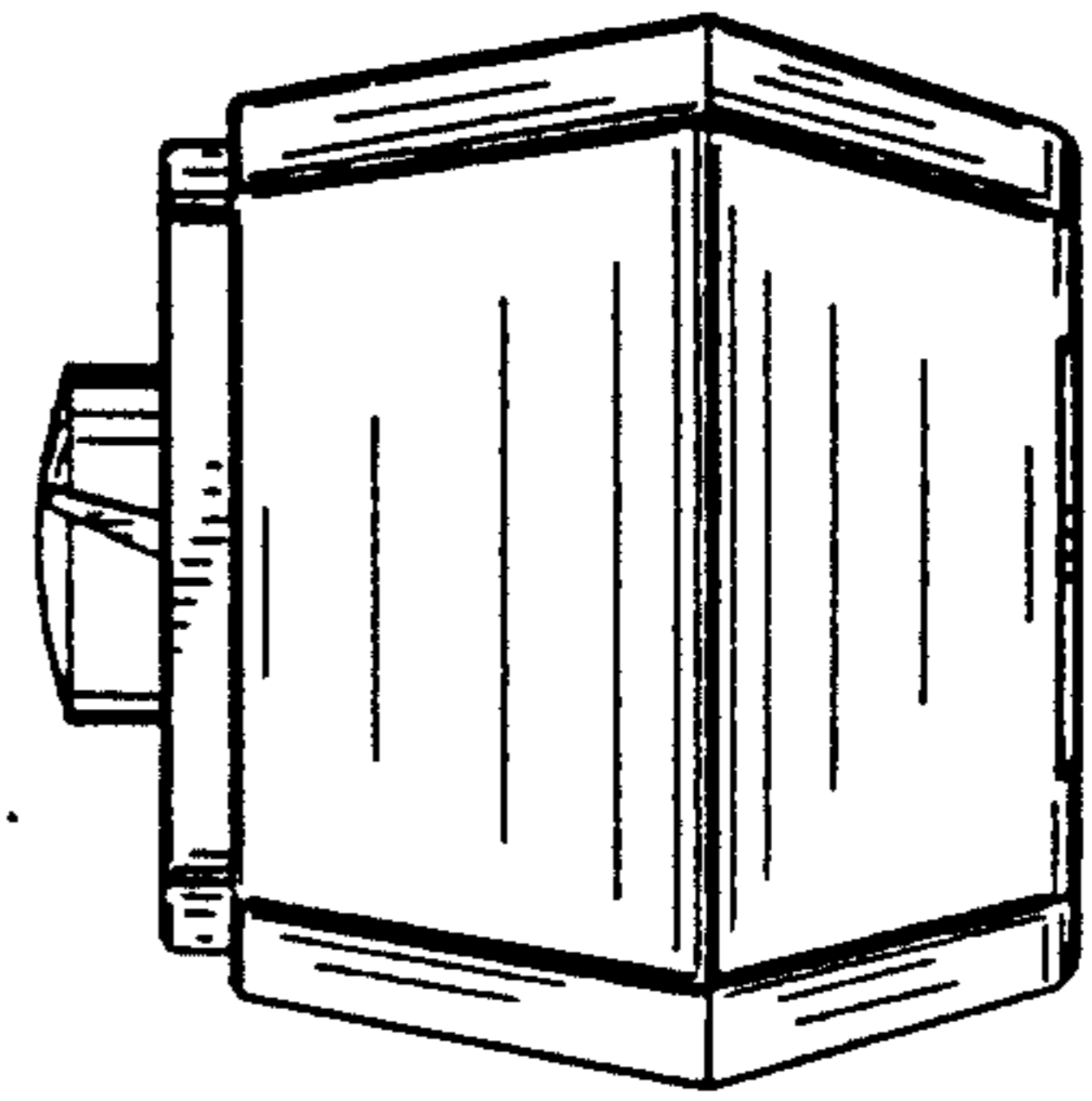


Fig. 3.

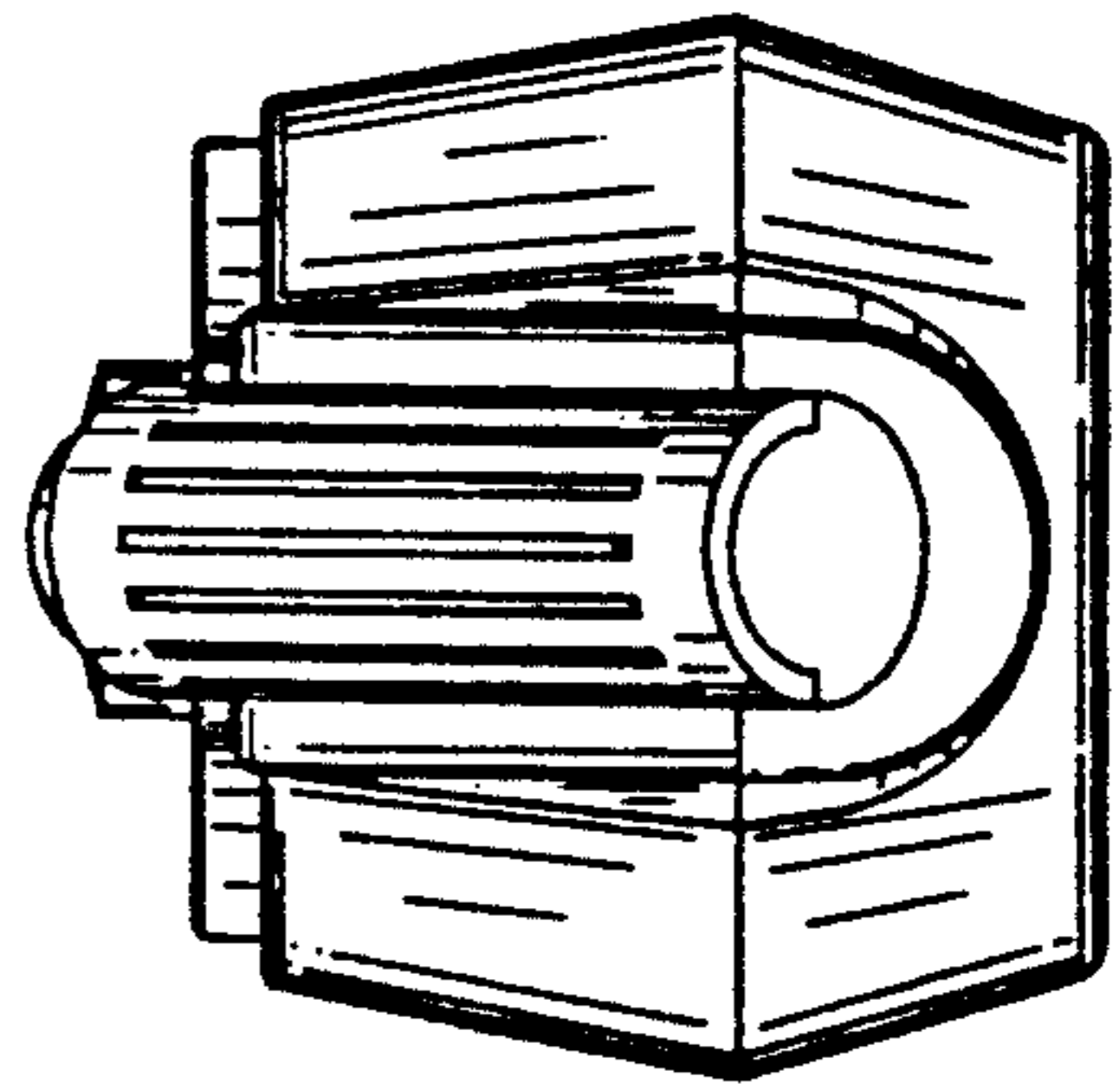


Fig. 4.

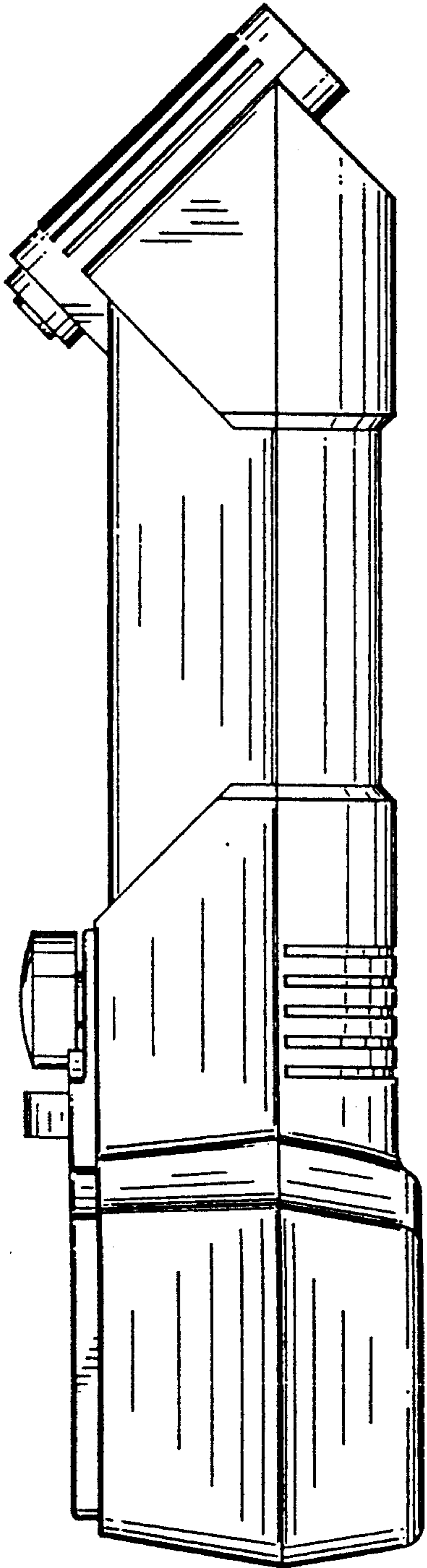


Fig. 5.

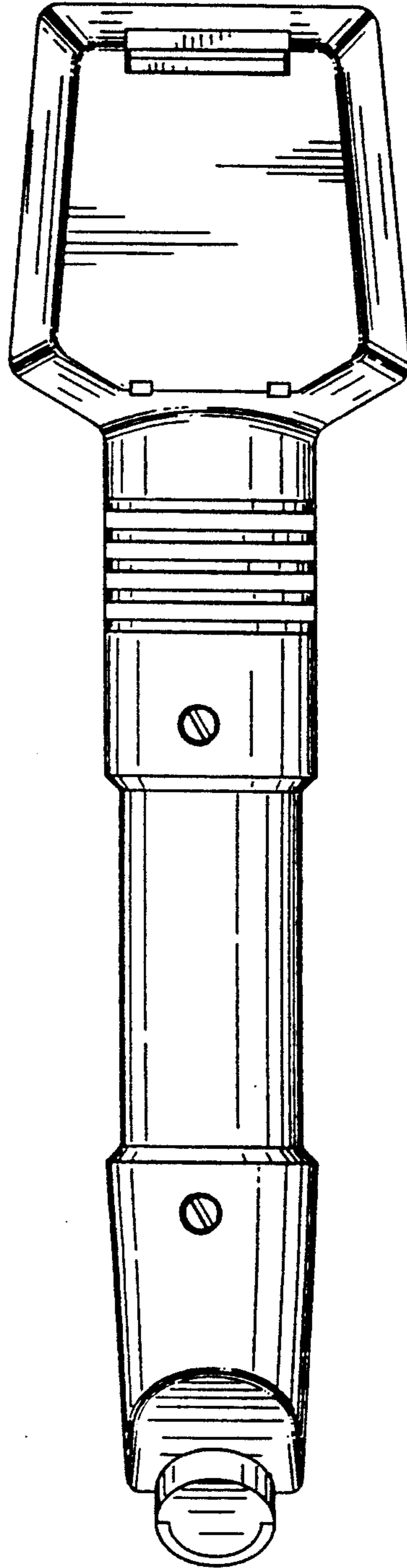


Fig. 6.