



US00D348007S

United States Patent [19]

[11] Patent Number: **Des. 348,007**

Feen

[45] Date of Patent: **** Jun. 21, 1994**

[54] BOTTLE

D. 192,887 5/1962 Denhoff et al. D9/502
D. 194,811 3/1963 Worthington D9/502
D. 212,276 9/1968 Lodding D9/557 X

[75] Inventor: **Stuart H. Feen, Libertyville, Ill.**

[73] Assignee: **Plastic Bottle Corporation,
Libertyville, Ill.**

Primary Examiner—Bernard Ansher
Assistant Examiner—Lucy Lieberman
Attorney, Agent, or Firm—Wood, Phillips, Van Santen,
Hoffman and Ertel

[**] Term: **14 Years**

[21] Appl. No.: **3,731**

[57] **CLAIM**

[22] Filed: **Jan. 19, 1993**

The ornamental design for a bottle, as shown and described.

[52] U.S. Cl. **D9/556; D9/557**

[58] Field of Search **D9/502, 537, 538, 539,
D9/556, 557, 558, 570, 559, 560; 215/1 R, 1 C**

DESCRIPTION

[56] **References Cited**

U.S. PATENT DOCUMENTS

D. 178,274 7/1956 Blunt D9/560 X
D. 185,881 8/1959 Fuerst D9/502
D. 191,641 10/1961 DuPree D9/538 X

FIG. 1 is a front elevational view of a bottle showing my new design;

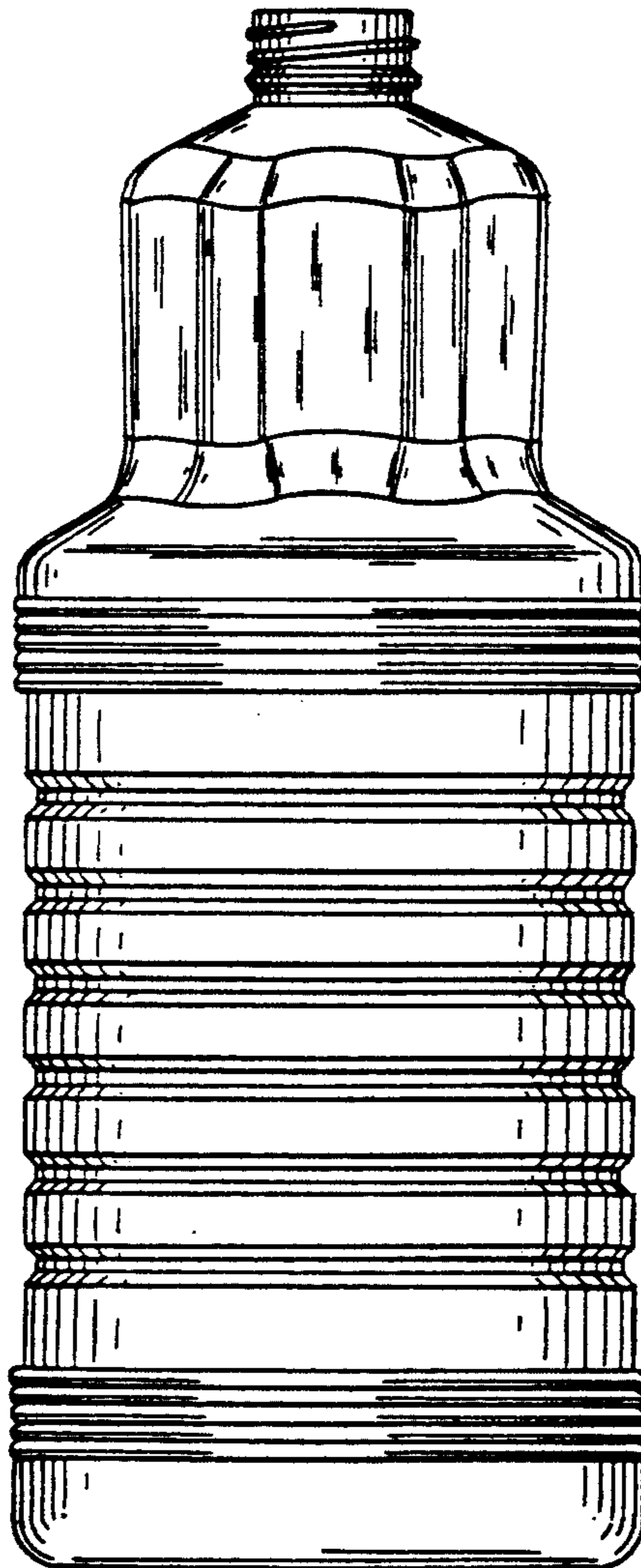
FIG. 2 is a left side elevational view thereof;

FIG. 3 is a right side elevational view thereof;

FIG. 4 is a rear elevational view thereof;

FIG. 5 is a top plan view thereof; and,

FIG. 6 is a bottom plan view thereof.



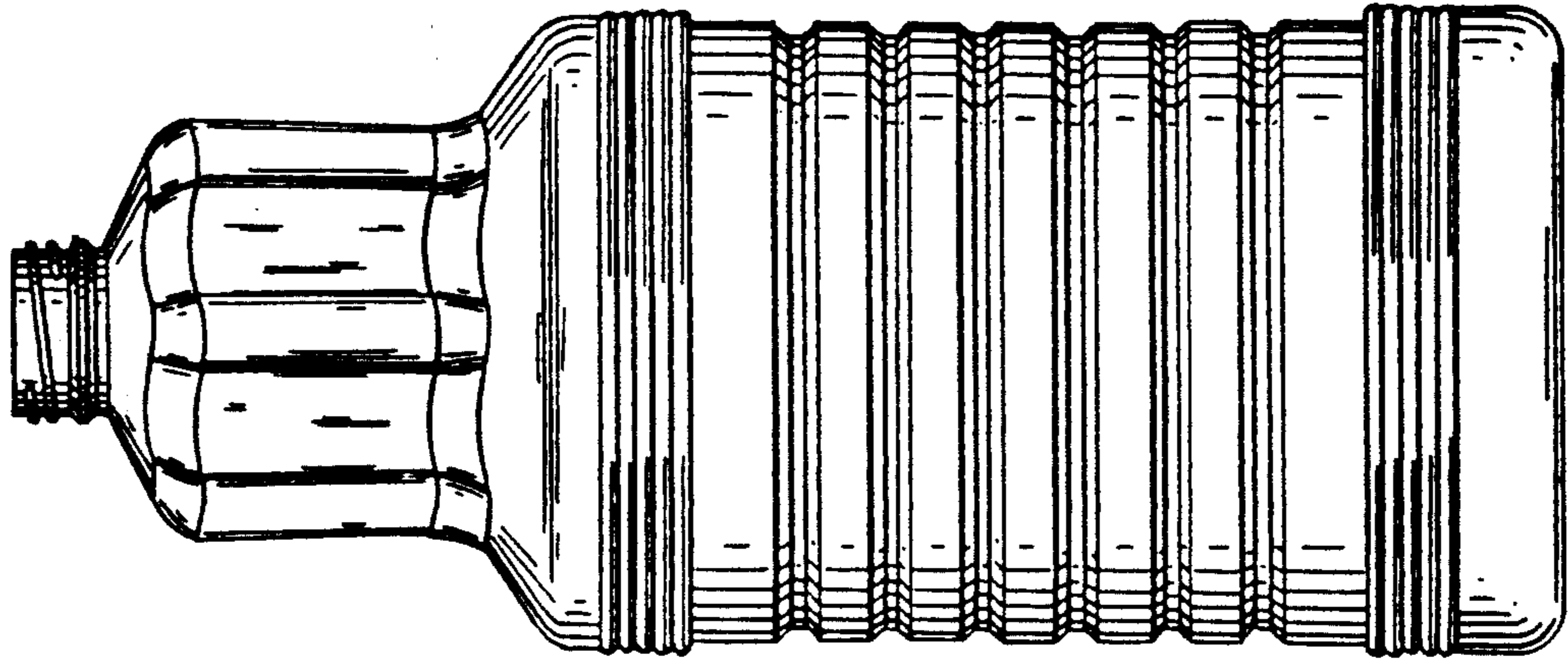


FIG. 3

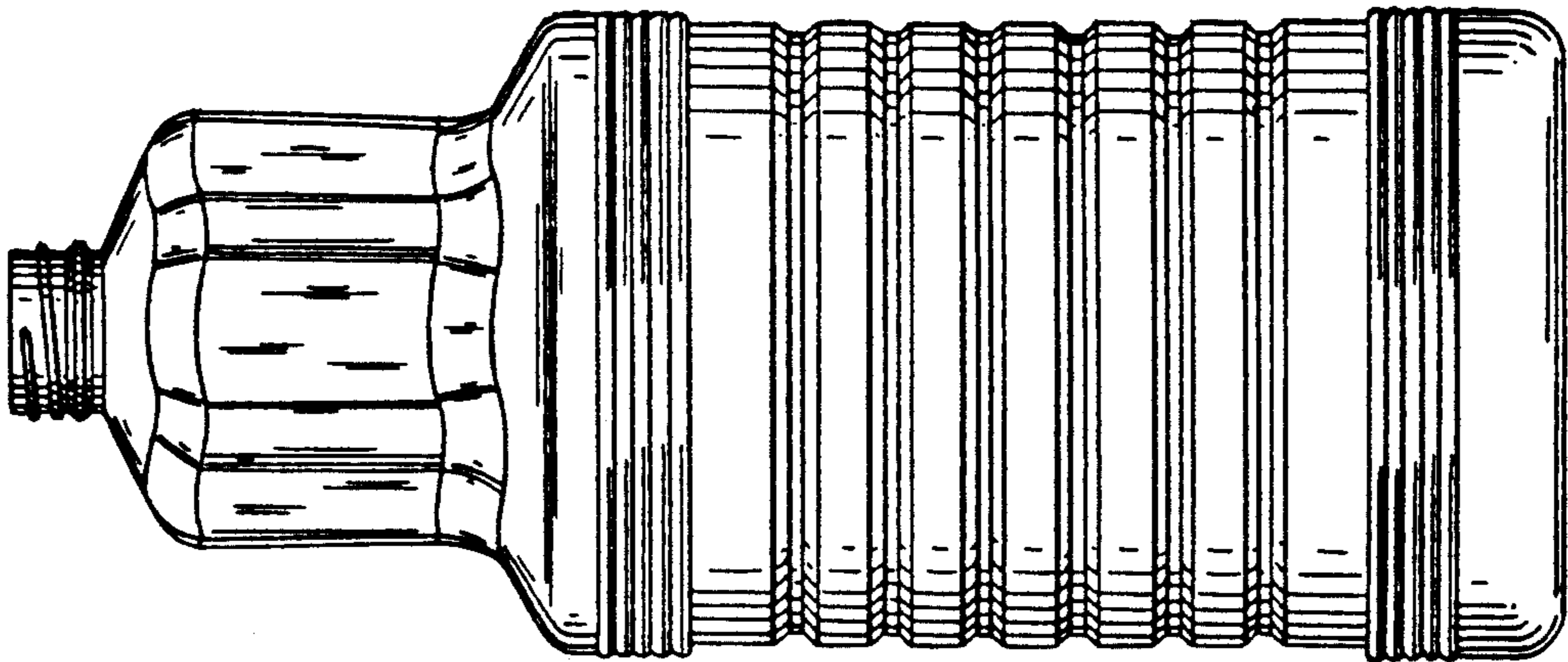


FIG. 1

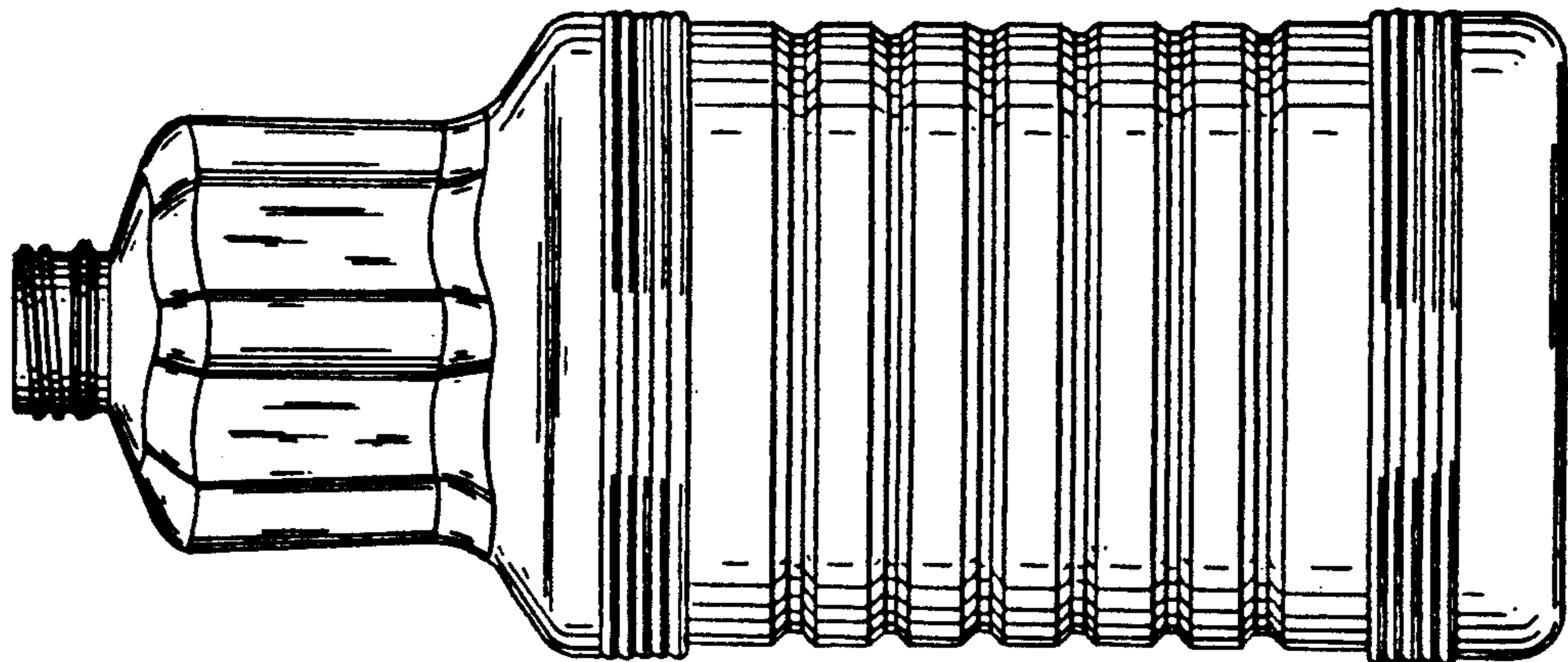


FIG. 2

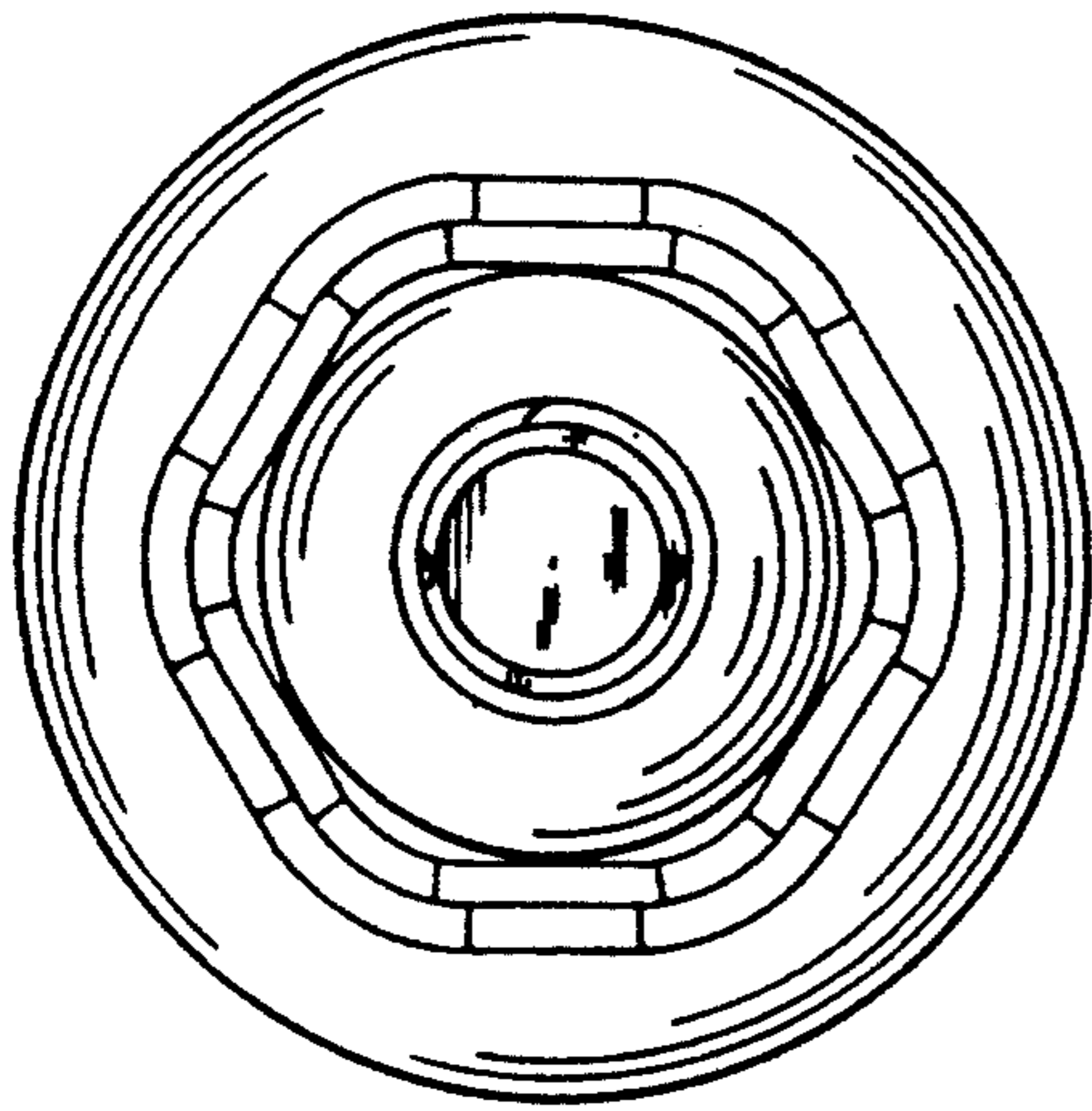


FIG. 5

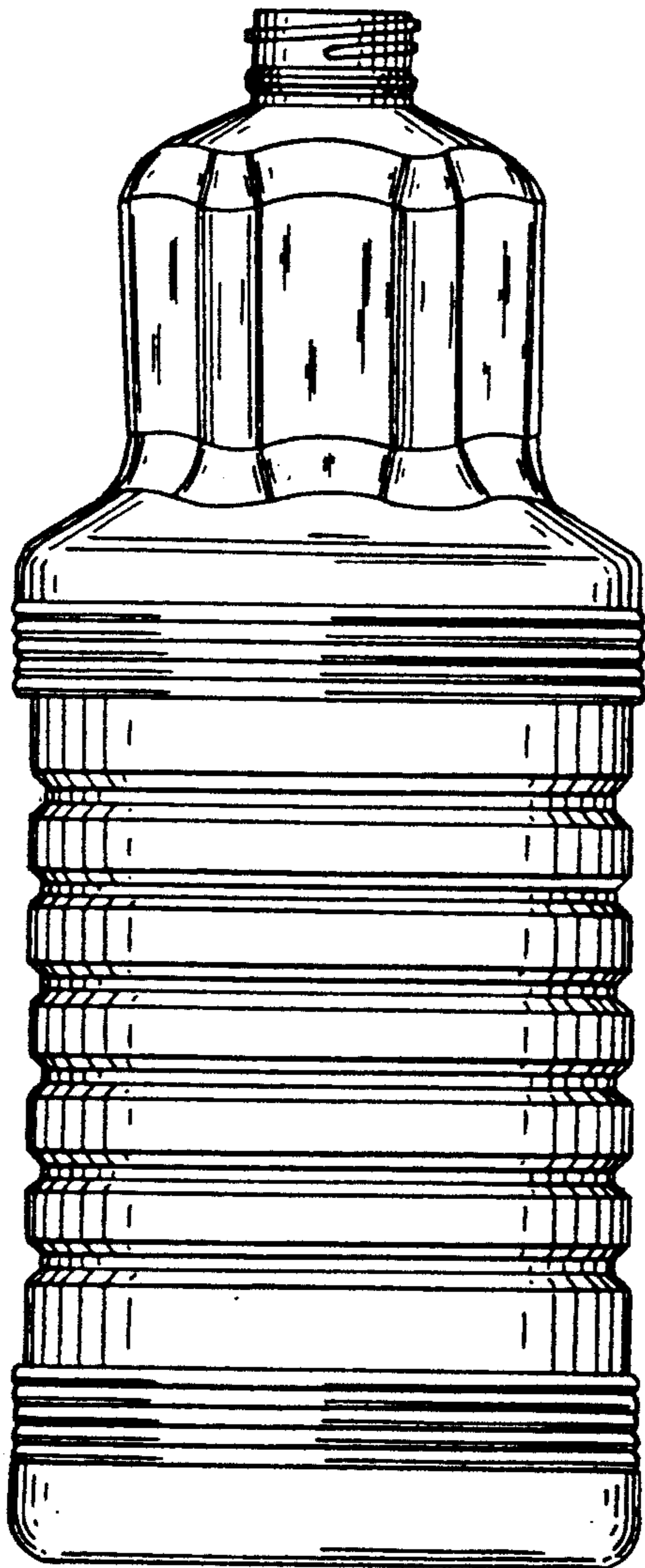


FIG. 4

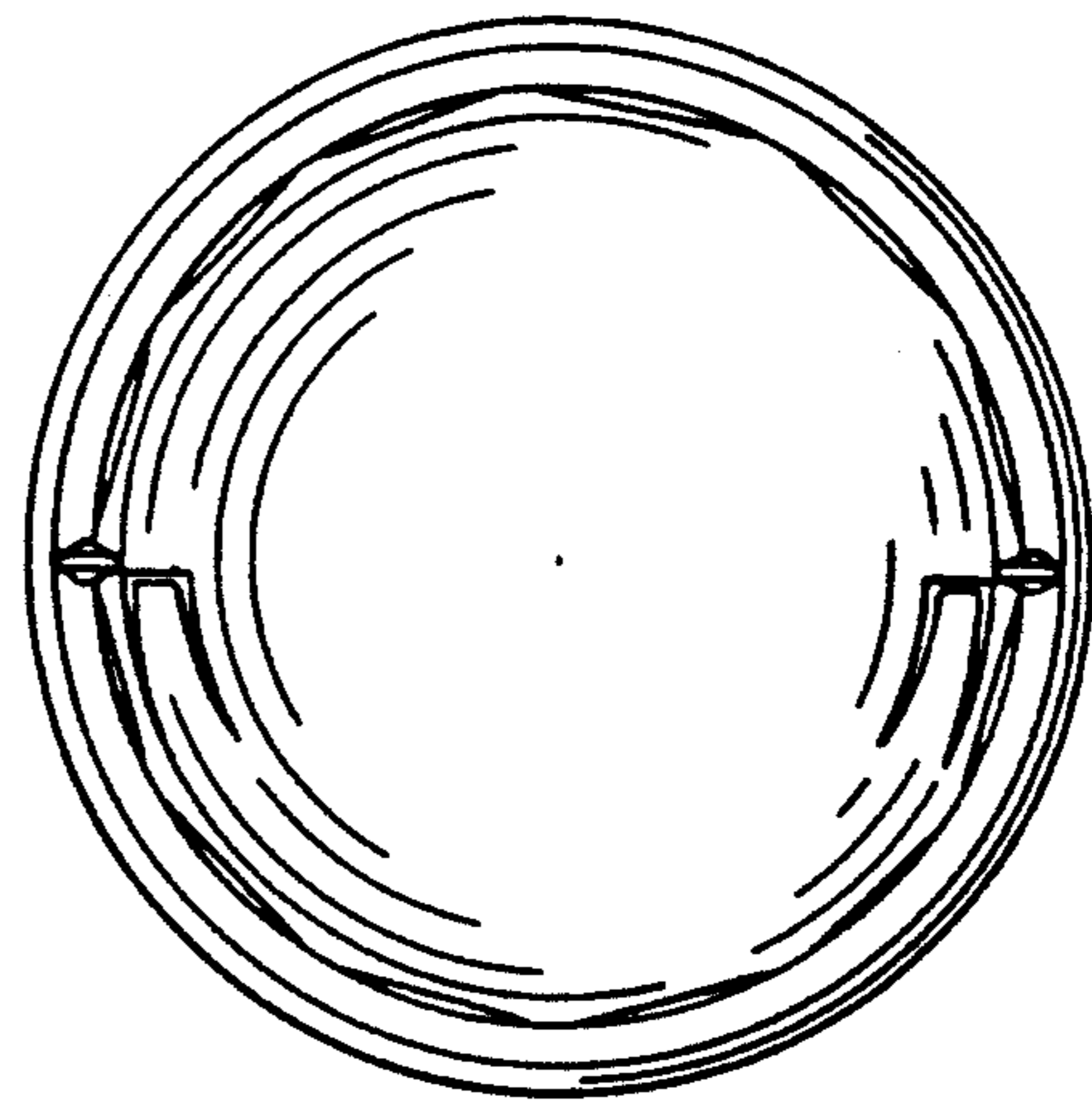


FIG. 6