



US00D348006S

United States Patent [19]

[11] Patent Number: **Des. 348,006**

Feen

[45] Date of Patent: **** Jun. 21, 1994**

[54] **BOTTLE**

D. 194,811 3/1963 Worthington D9/502
D. 212,276 9/1968 Lodding D9/557 X

[75] Inventor: **Stuart H. Feen, Libertyville, Ill.**

Primary Examiner—Bernard Ansher
Assistant Examiner—Lucy Lieberman
Attorney, Agent, or Firm—Wood, Phillips, Van Santen,
Hoffman & Ertel

[73] Assignee: **Plastic Bottle Corporation,
Libertyville, Ill.**

[**] Term: **14 Years**

[21] Appl. No.: **3,732**

[57] **CLAIM**

[22] Filed: **Jan. 19, 1993**

The ornamental design for a bottle, as shown and described.

[52] U.S. Cl. **D9/552; D9/557**

[58] Field of Search **D9/502, 557, 537, 538,
D9/539, 556, 552, 565, 559, 560; 215/1 R, 1 C**

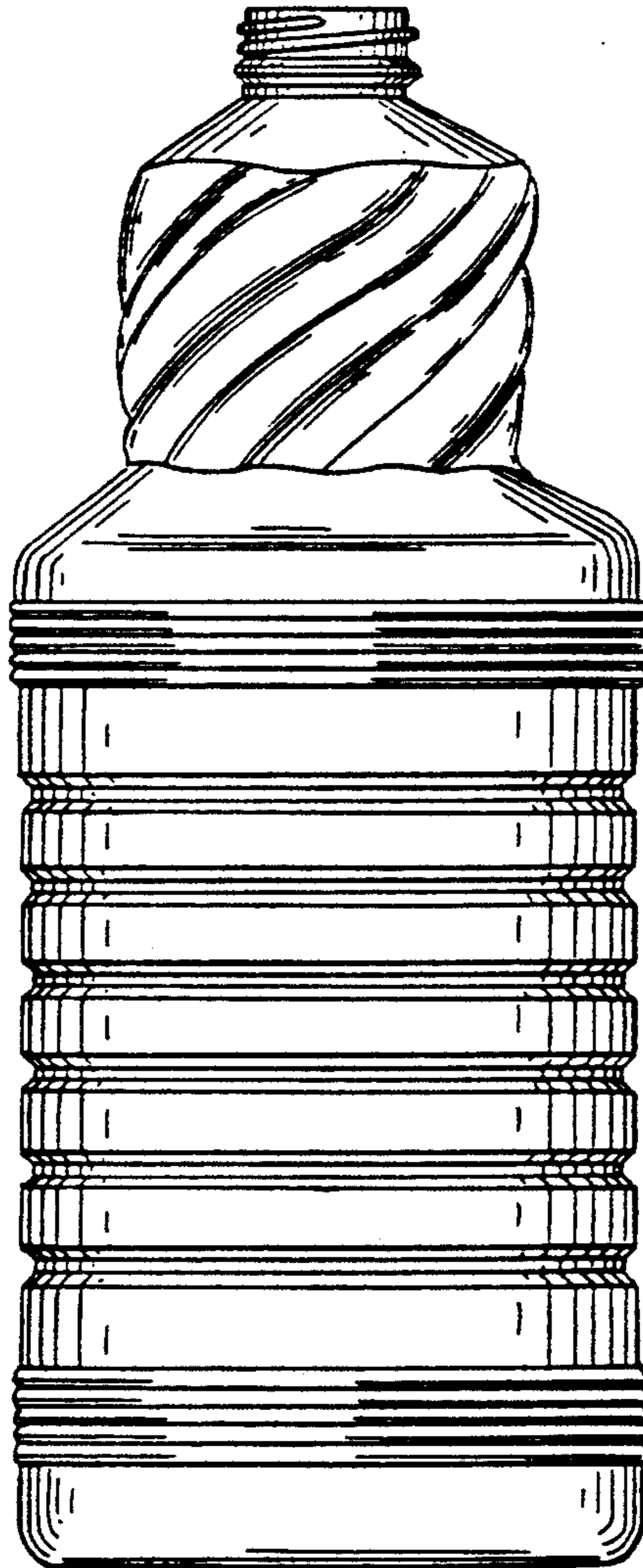
DESCRIPTION

[56] **References Cited**

U.S. PATENT DOCUMENTS

D. 185,881 8/1959 Fuerst D9/502
D. 186,085 9/1959 Dallas D9/552
D. 192,887 5/1962 Denhoff et al. D9/502

FIG. 1 is a front elevational view of a bottle showing my new design;
FIG. 2 is a left side elevational view thereof;
FIG. 3 is a right side elevational view thereof;
FIG. 4 is a rear elevational view thereof;
FIG. 5 is a top plan view thereof; and,
FIG. 6 is a bottom plan view thereof.



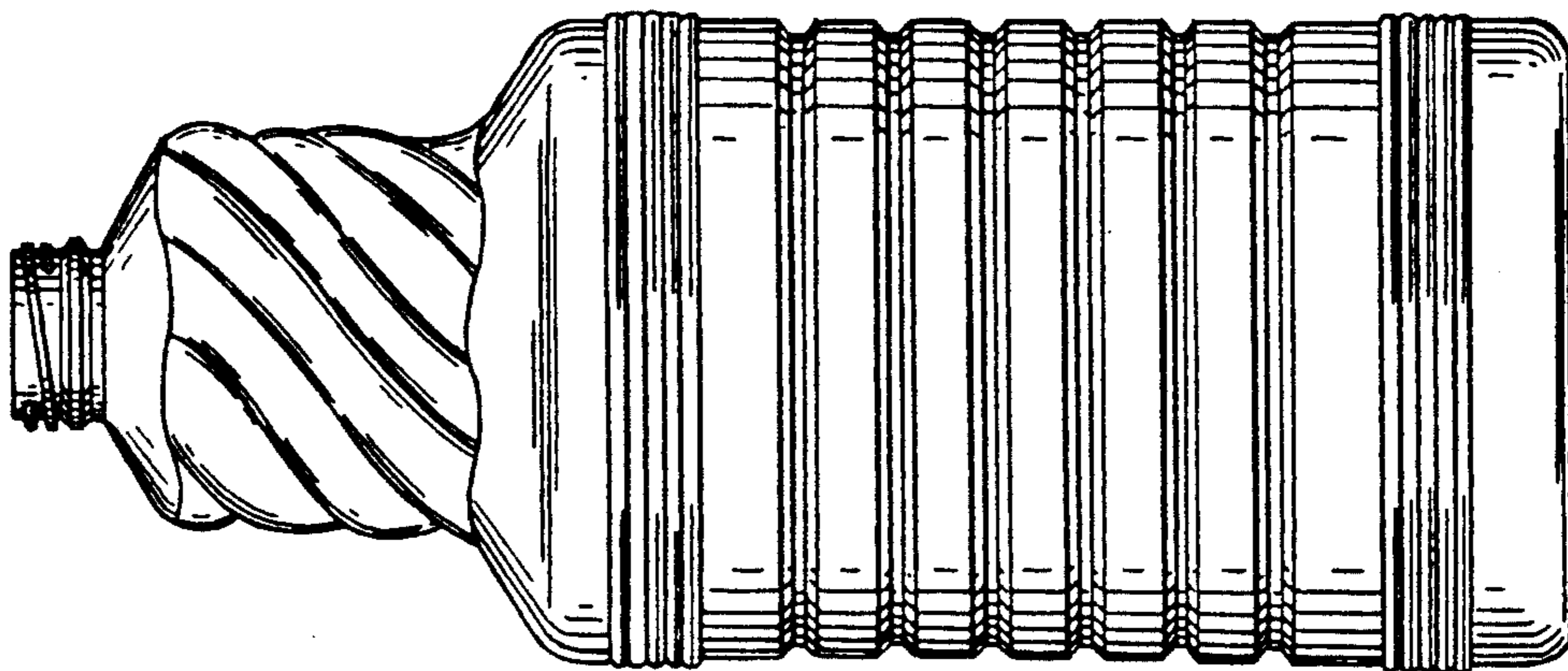


FIG. 1

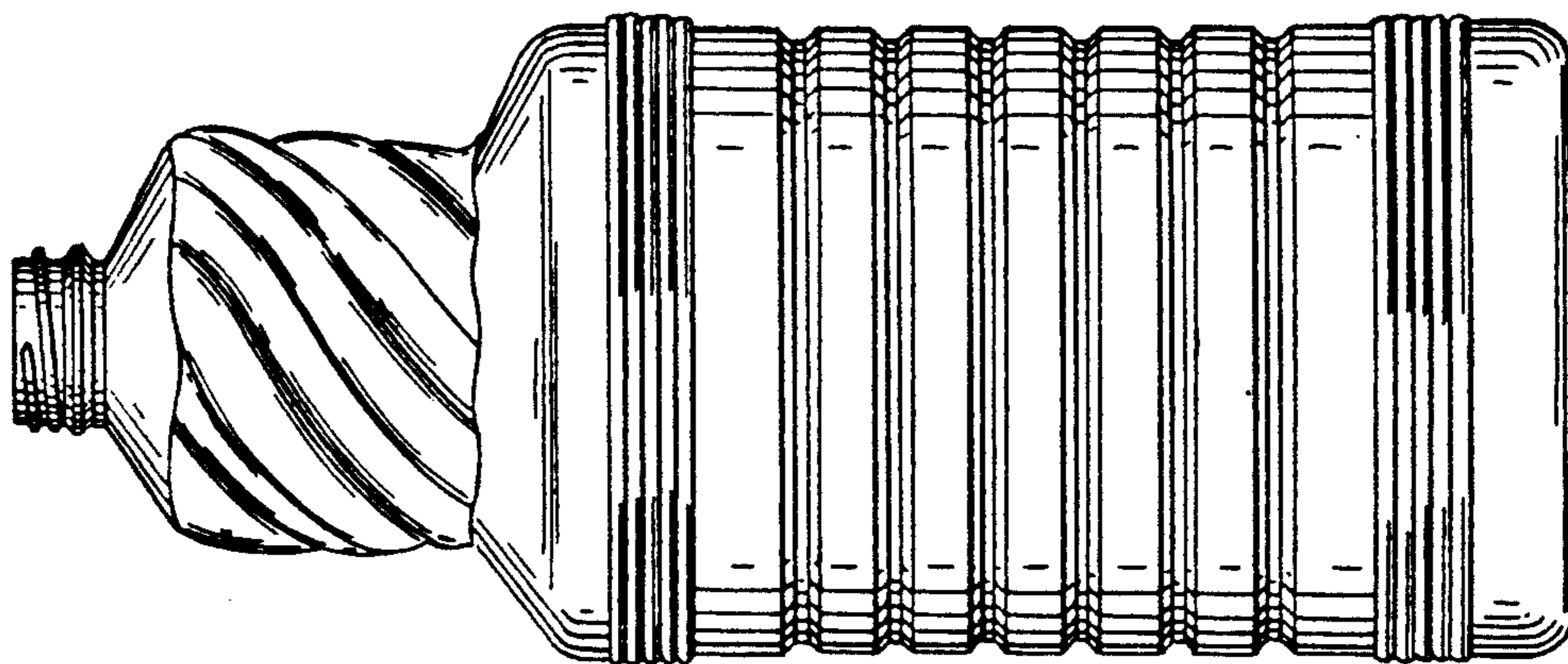


FIG. 2

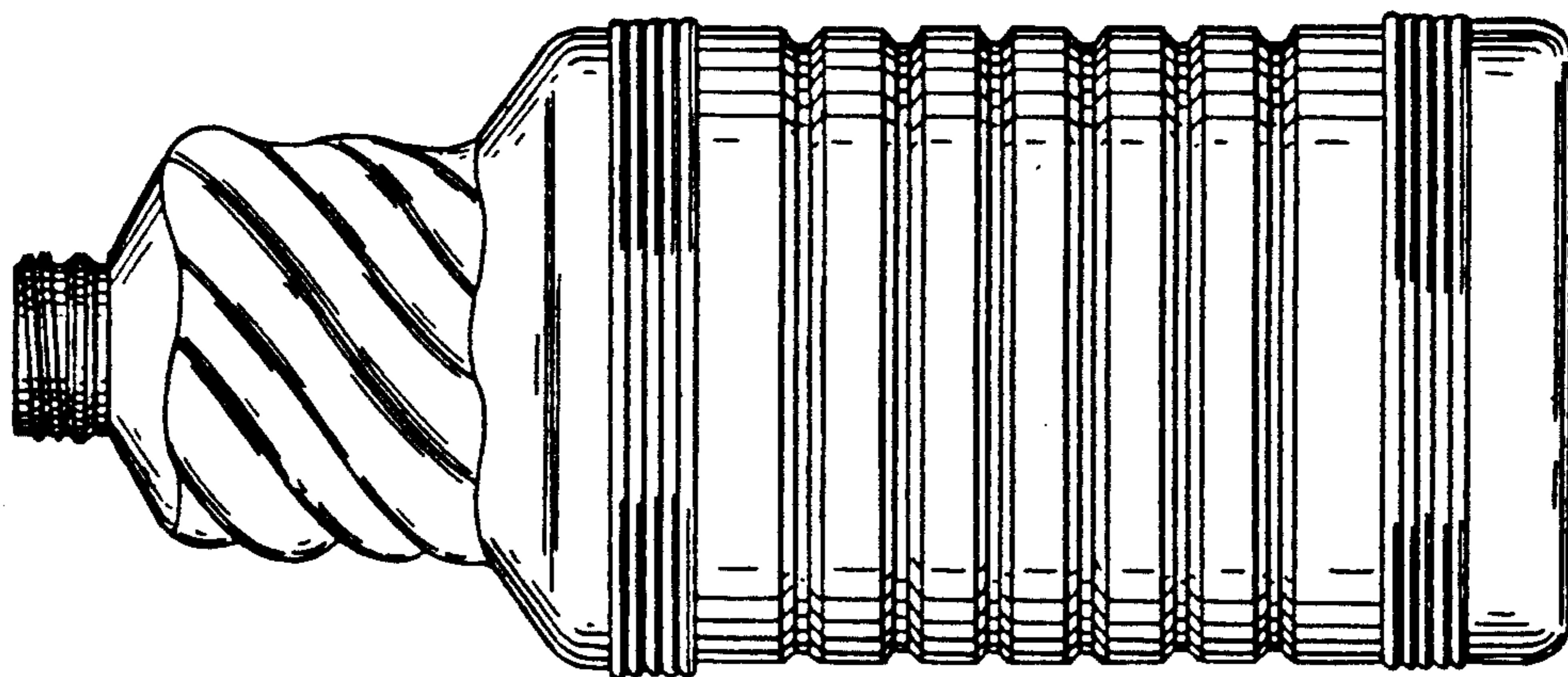


FIG. 3

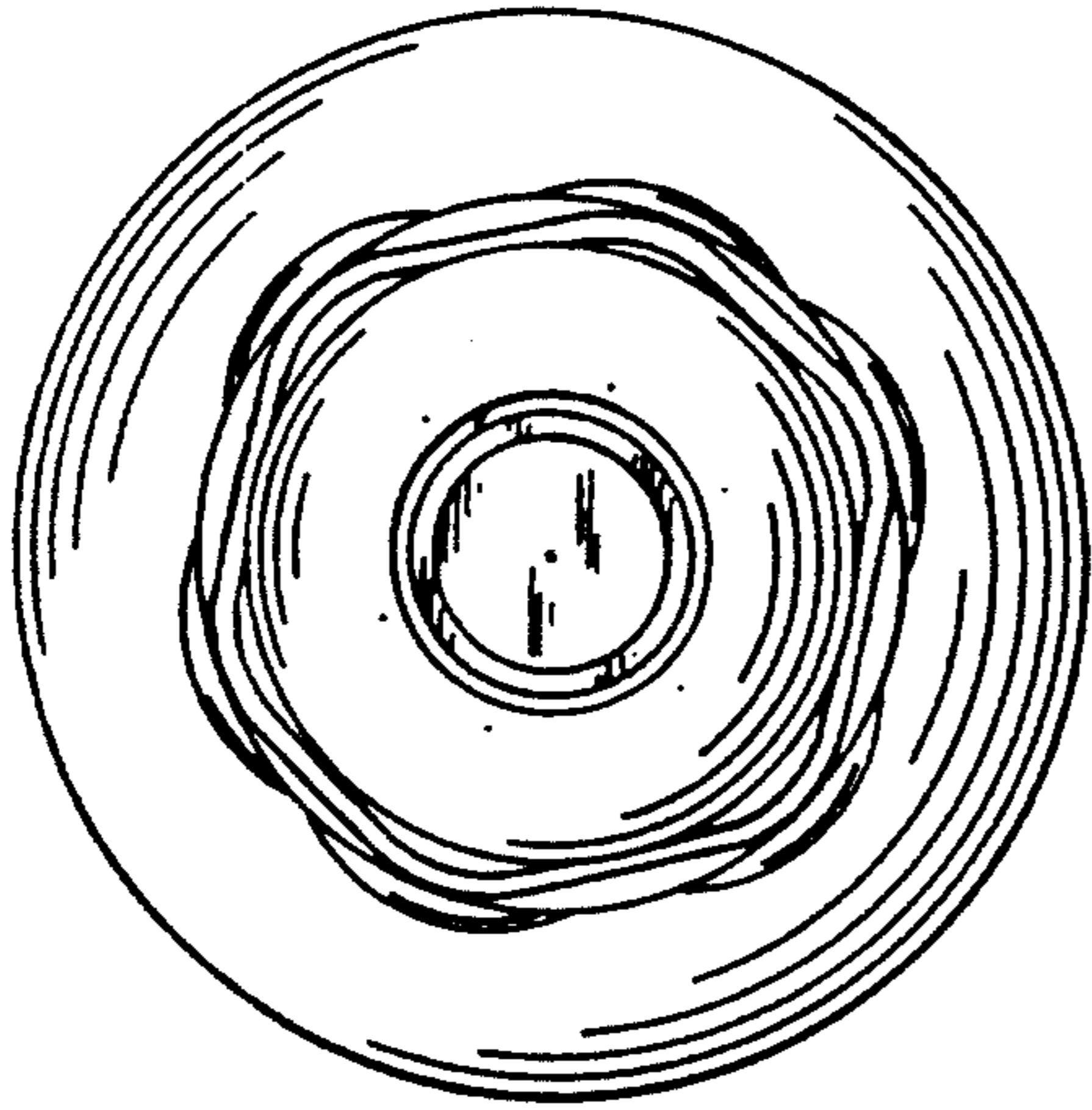


FIG. 5

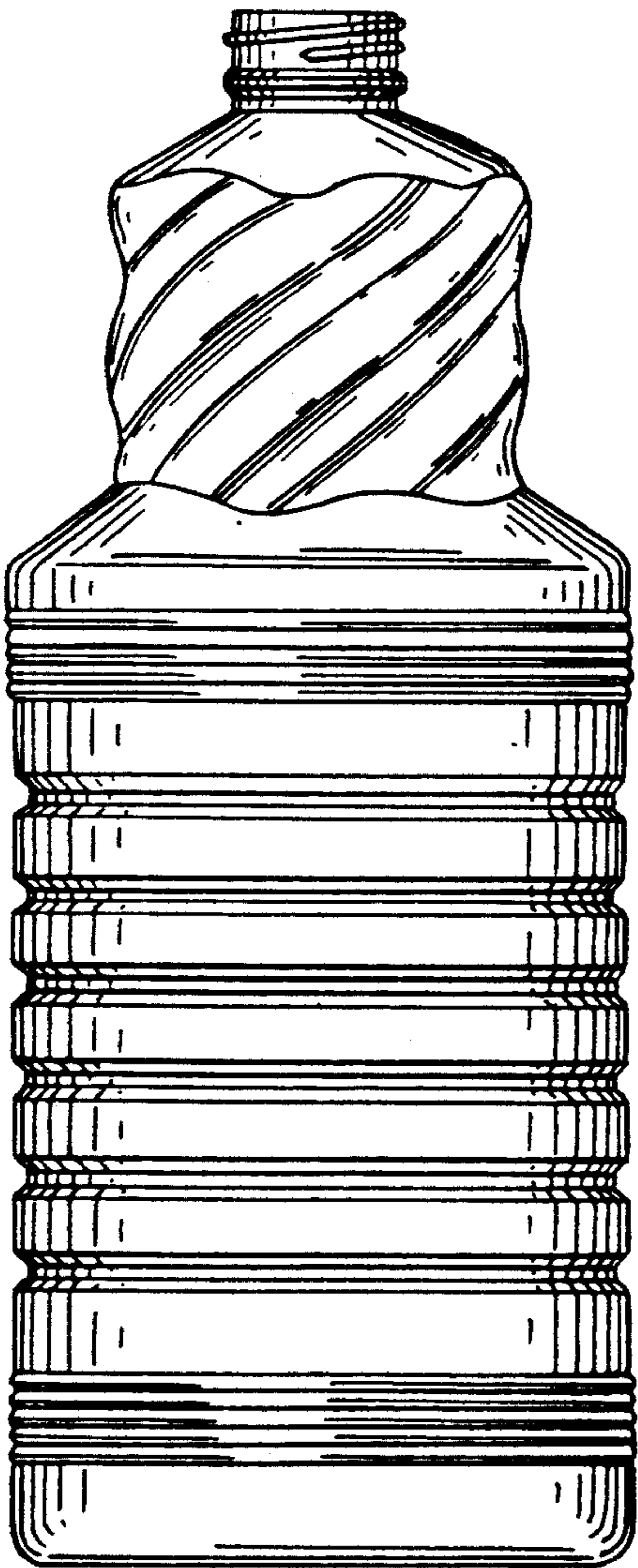


FIG. 4

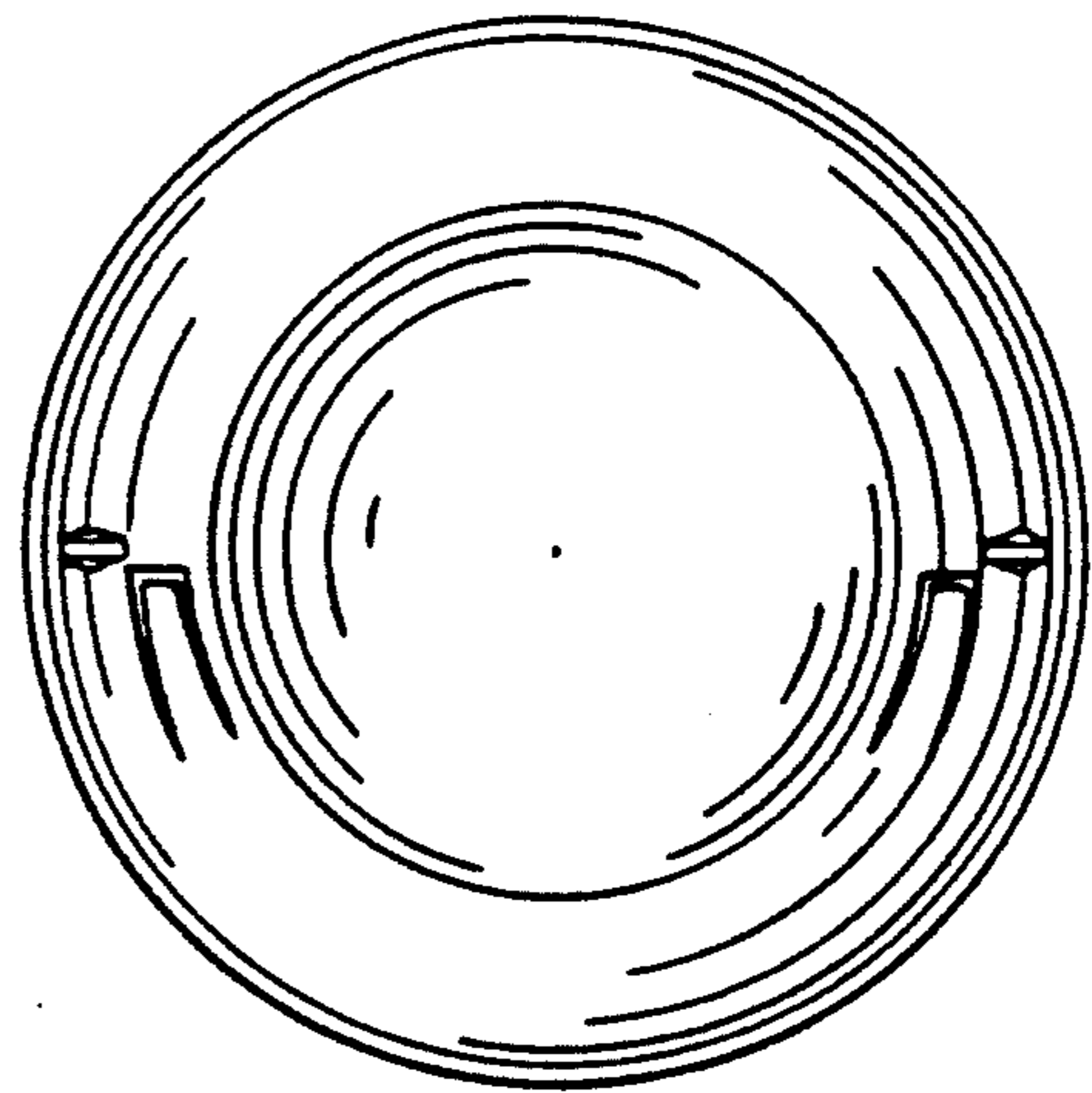


FIG. 6