



US00D348002S

# United States Patent [19]

[11] Patent Number: Des. 348,002

Jones

[45] Date of Patent: \*\* Jun. 21, 1994

## [54] BOTTLE CARRYING DEVICE

[76] Inventor: Tracy Jones, 3122 Glenwood, St. Ann, Mo. 63074

[\*\*] Term: 14 Years

[21] Appl. No.: 797,235

[22] Filed: Nov. 25, 1991

[52] U.S. Cl. .... D9/455

[58] Field of Search ..... D9/434, 443, 455, 499; 206/143, 145, 147-148, 162; 220/752, 754, 756, 758

### [56] References Cited

#### U.S. PATENT DOCUMENTS

D. 277,554	2/1985	Chabot .....	D9/434
2,440,902	7/1946	Lutey .....	206/147
4,852,730	8/1989	Thykeson .....	206/145
4,917,428	4/1990	Sola .....	206/145

Primary Examiner—Alan P. Douglas  
Assistant Examiner—Robert M. Spear  
Attorney, Agent, or Firm—Richard C. Litman

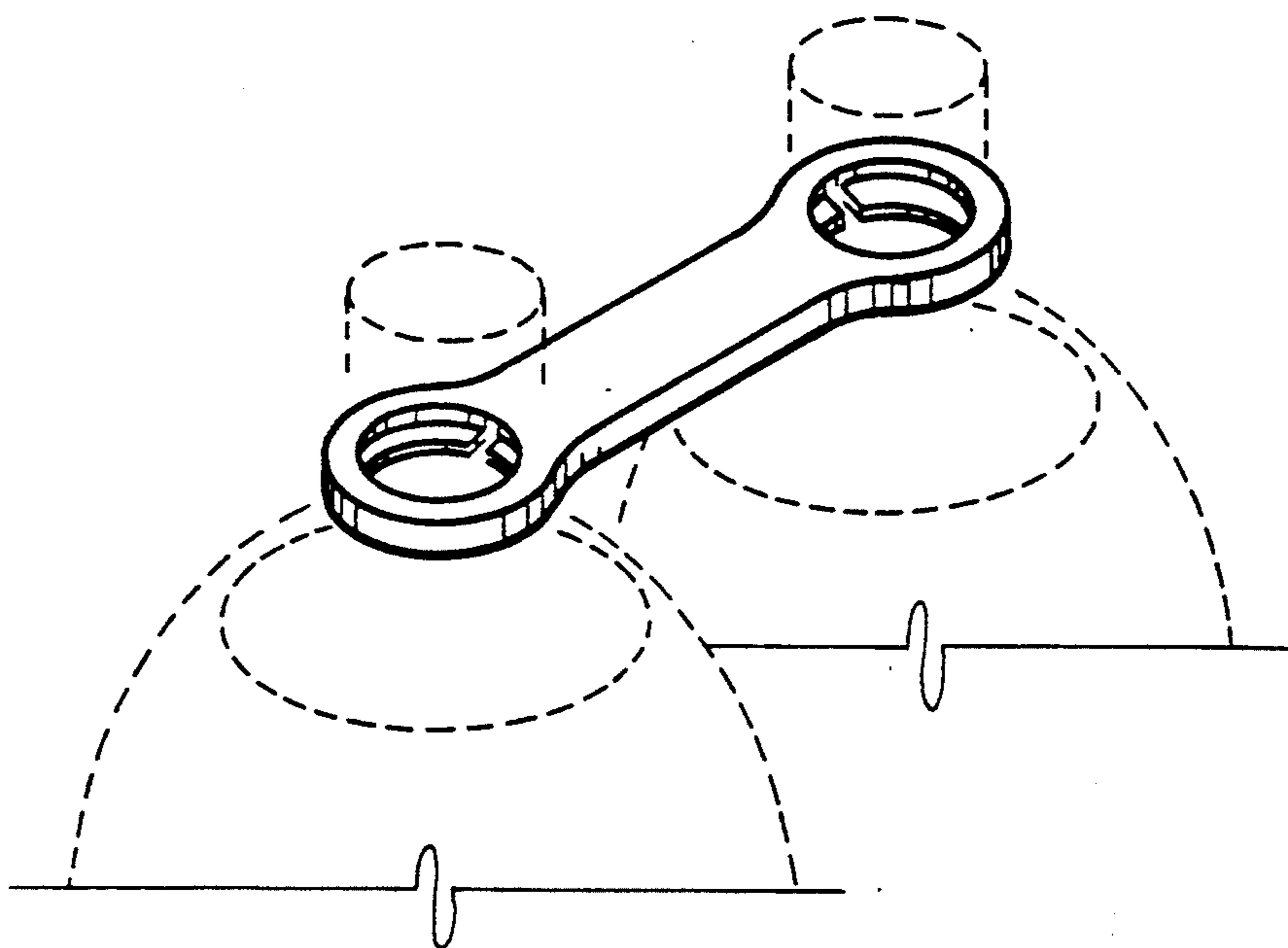
### [57] CLAIM

The ornamental design for a bottle carrying device, as shown and described.

### DESCRIPTION

FIG. 1 is an environmental perspective view of a bottle carrying device showing my new design; FIG. 2 is a perspective view thereof; FIG. 3 is a top plan view thereof; FIG. 4 is a right side view thereof; FIG. 5 is a bottom plan view thereof; and, FIG. 6 is a front end view.

The broken lines shown in FIG. 1 represent a pair of bottles and forms no part of the claimed design. The left side view is a mirror image of FIG. 4. The rear end view is a mirror image of FIG. 6.



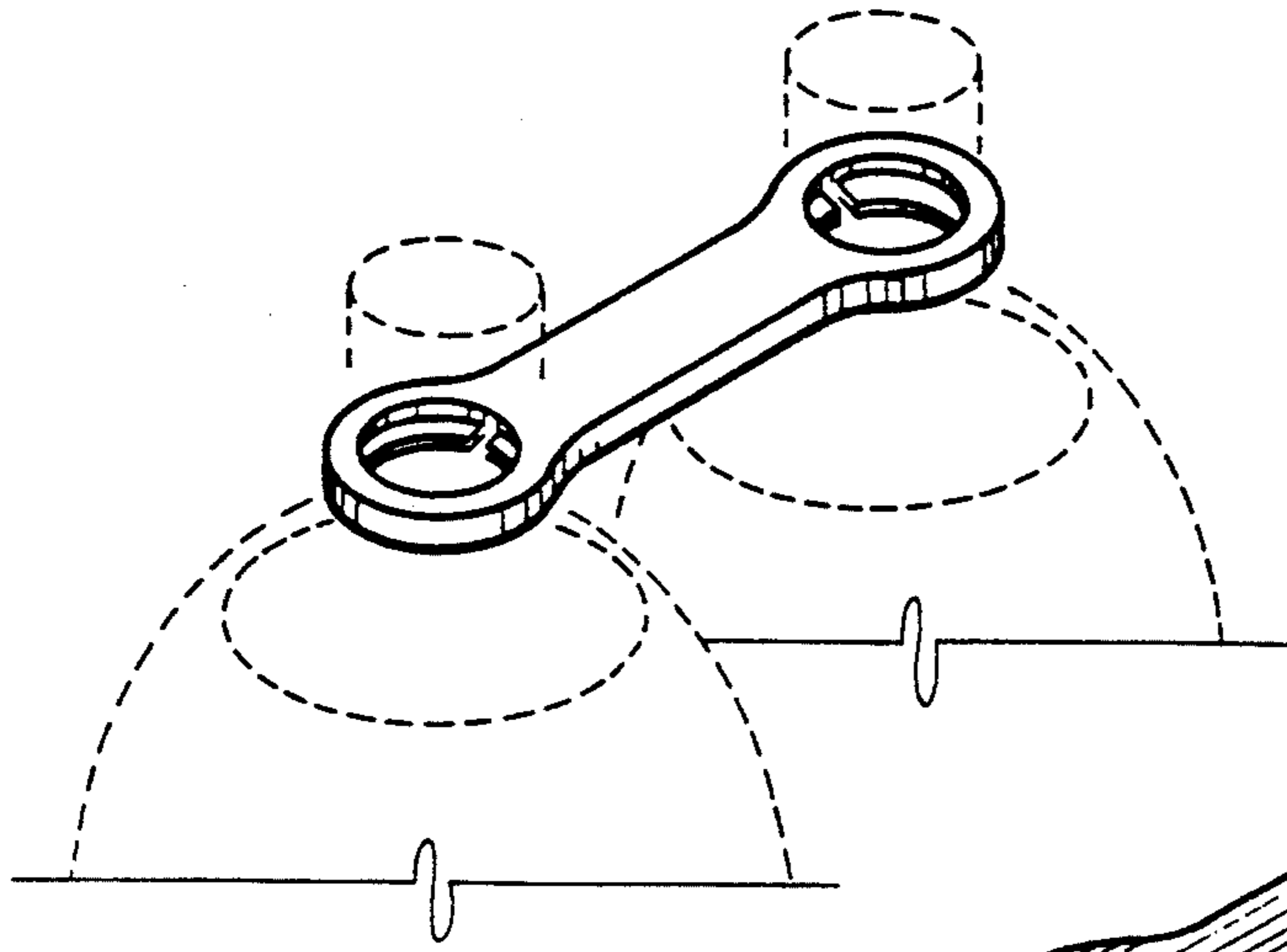


FIG. 1

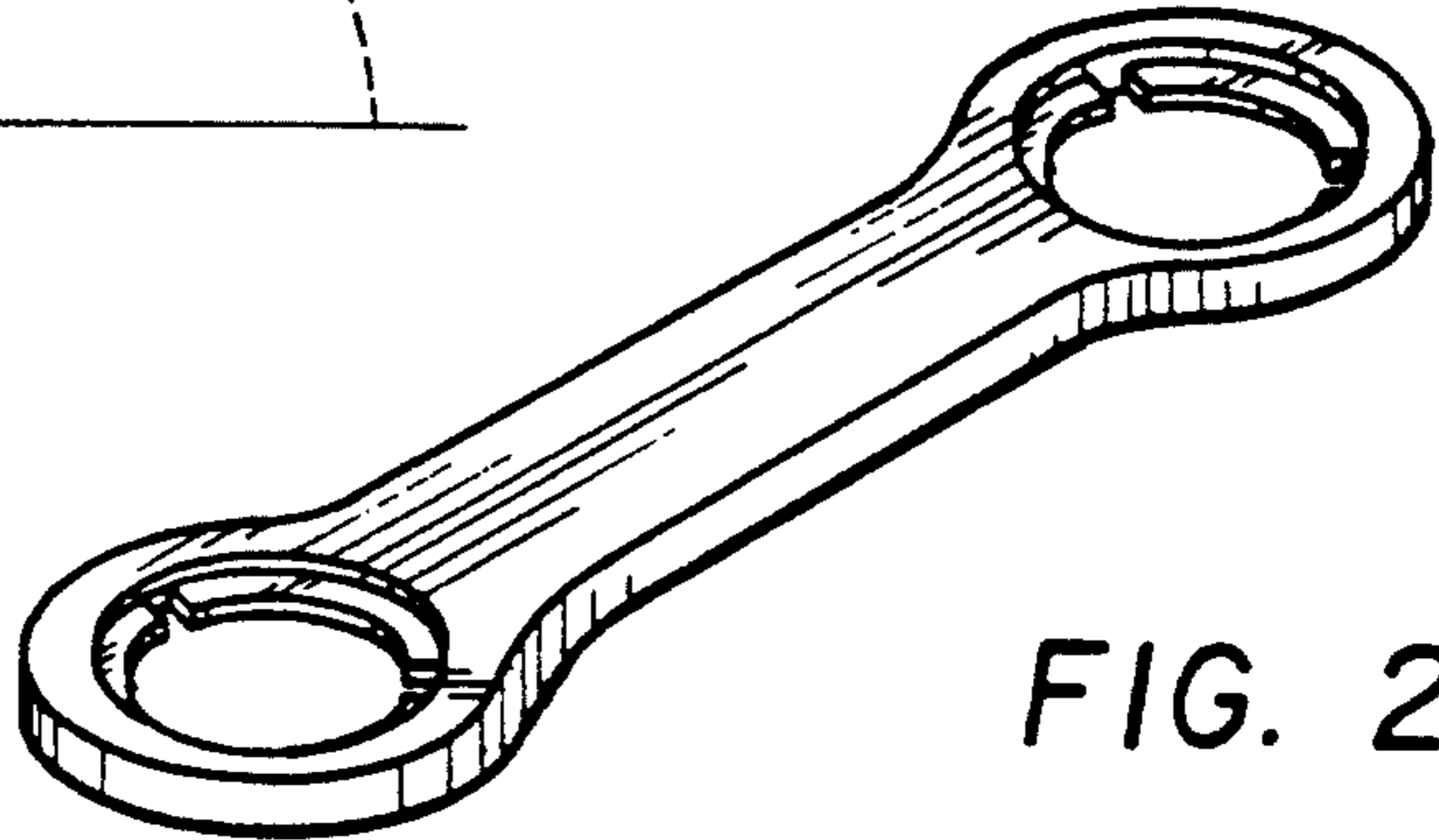


FIG. 2

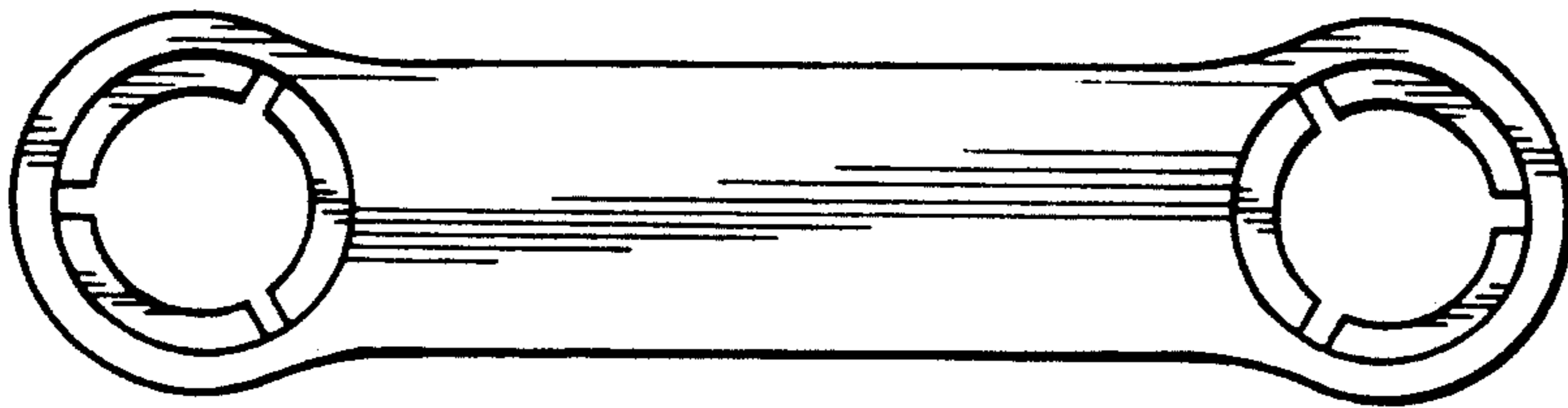


FIG. 3

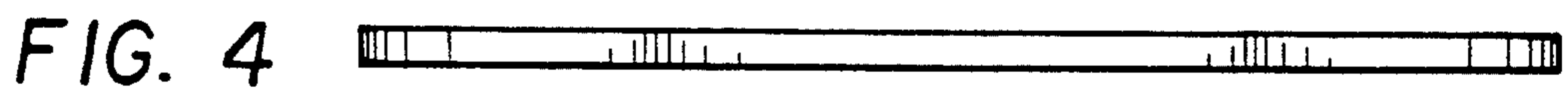


FIG. 4

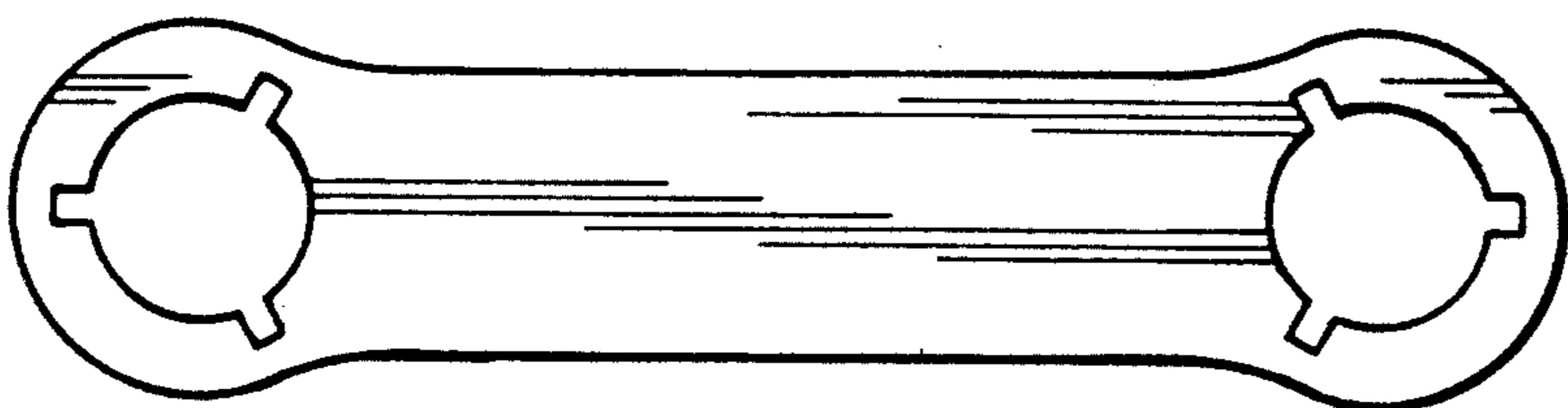


FIG. 5



FIG. 6