



US00D348001S

United States Patent [19]

Smith

[11] Patent Number: **Des. 348,001**

[45] Date of Patent: **** Jun. 21, 1994**

[54] **COMBINED LID AND CONTAINER**

[76] Inventor: **Larry Smith, Rte. 1, Box 242A, Annona, Tex. 75550**

[**] Term: **14 Years**

[21] Appl. No.: **2,574**

[22] Filed: **Dec. 21, 1992**

[52] U.S. Cl. **D9/428**

[58] Field of Search **D9/428, 414, 424, 425, D9/506, 513, 529, 443; 220/639, 645, 641, 646, 648, 649, 659, 657, 356, 355, 354, 376; 206/216, 303, 414, 457, 477; 229/125.26, 125.25**

2,204,784 6/1940 Abrams D28/91 X
 2,340,024 1/1944 Skaller 229/125.26
 3,023,926 3/1962 Wilke 220/306
 3,104,045 9/1963 Bruschini 206/440
 4,014,452 3/1977 Galer 220/659

Primary Examiner—Prabhakar G. Deshmukh
Attorney, Agent, or Firm—Terry M. Gernstein

[57] CLAIM

The ornamental design for a combined lid and container, as shown and described.

DESCRIPTION

FIG. 1 is a front, top and side perspective view of the combined lid and container showing my new design in a separated condition;

FIG. 2 is a front elevational view thereof, the rear being a mirror image of the front shown in FIG. 2;

FIG. 3 is a side elevational view thereof, the side opposite being a mirror image of the side shown in FIG. 3;

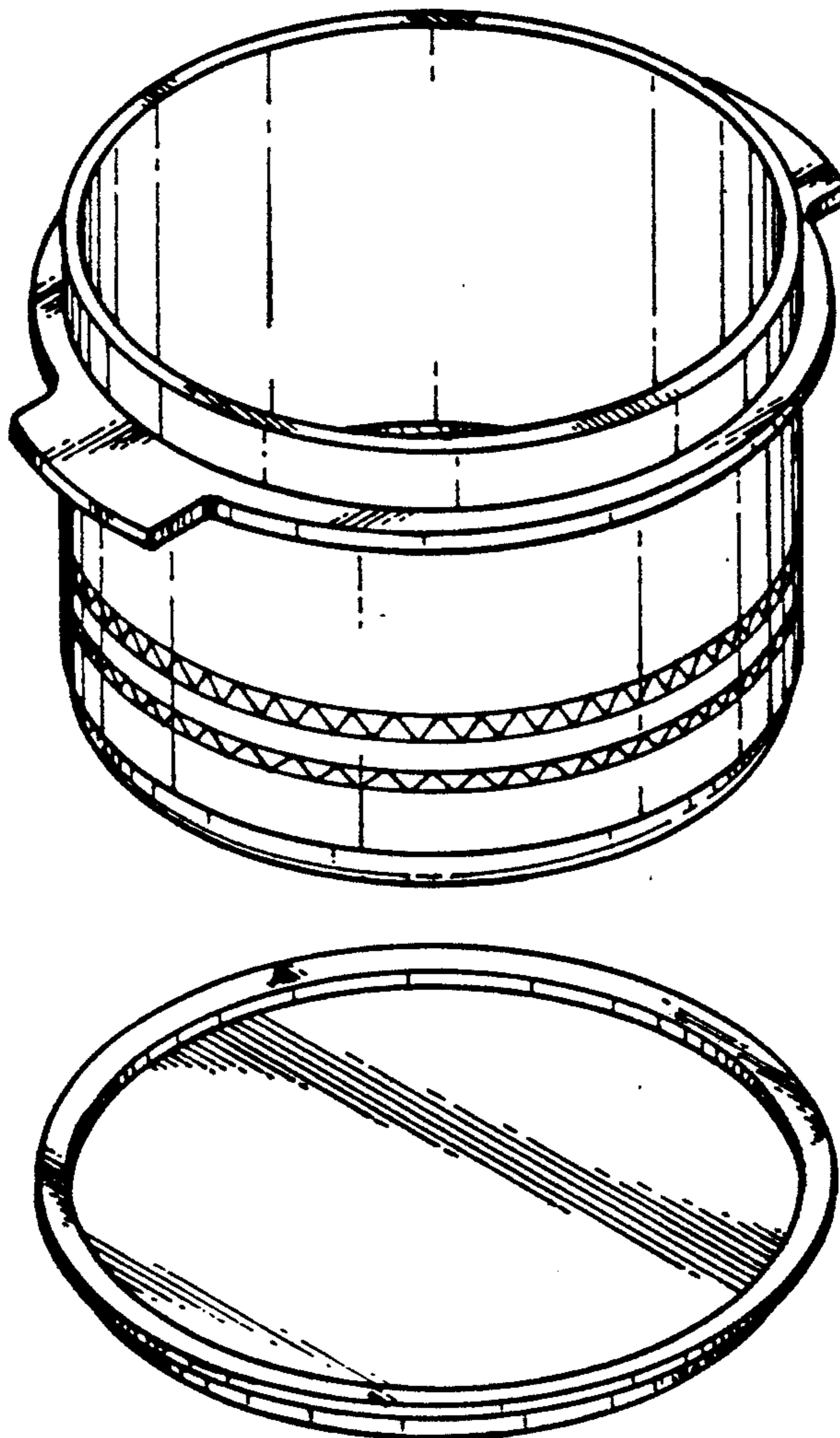
FIG. 4 is a top plan view thereof; and,

FIG. 5 is a bottom plan view thereof.

[56] References Cited

U.S. PATENT DOCUMENTS

D. 23,415 7/1894 Bogert D9/504 X
 D. 289,143 4/1987 Guillaume D9/504 X
 D. 296,764 7/1988 Riach et al. D9/503
 D. 338,636 8/1993 Moore D9/428 X
 370,681 9/1887 Caldwell et al. 220/641
 2,173,227 9/1939 Buckingham 206/823 X



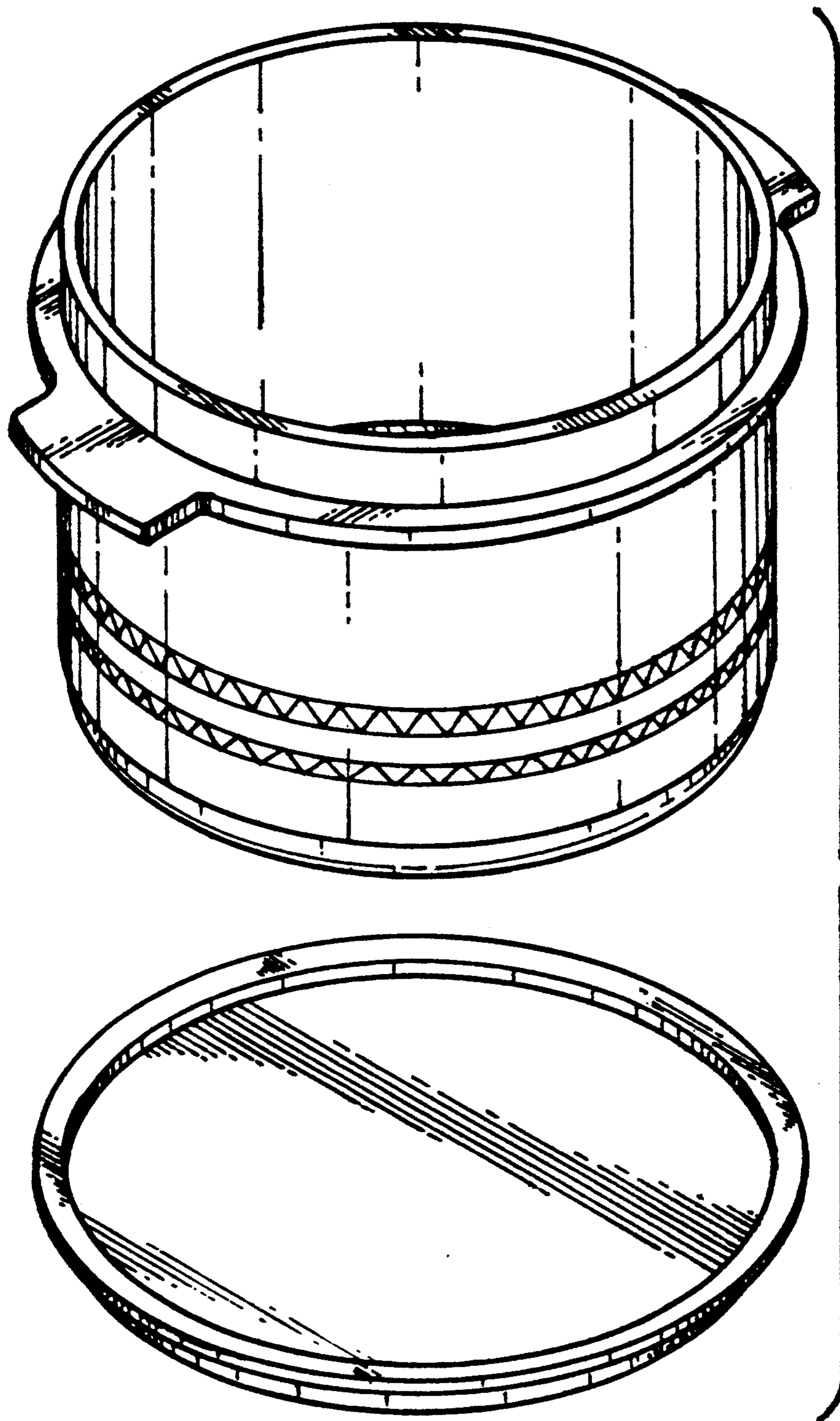


FIG.1

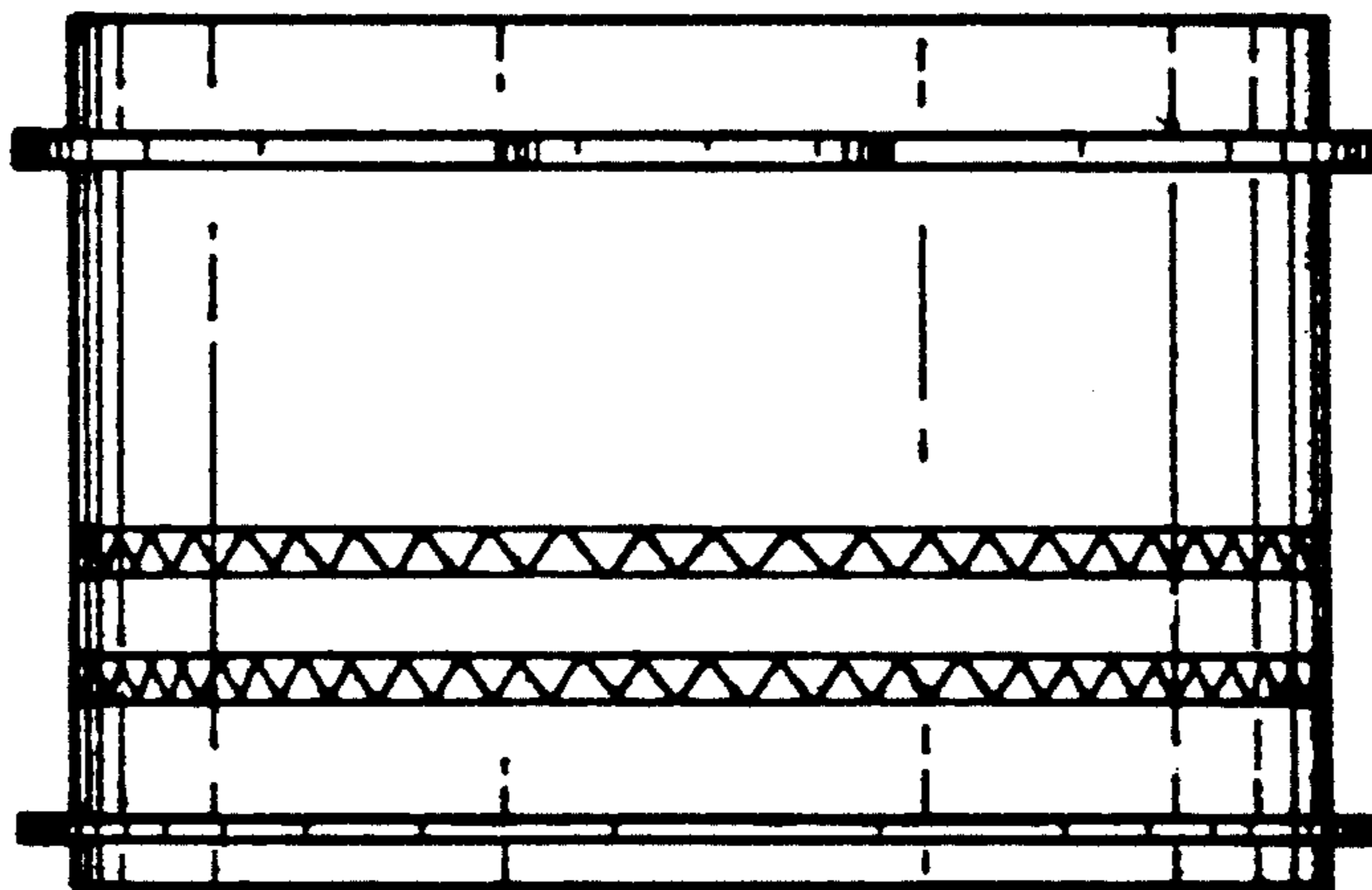


FIG. 2

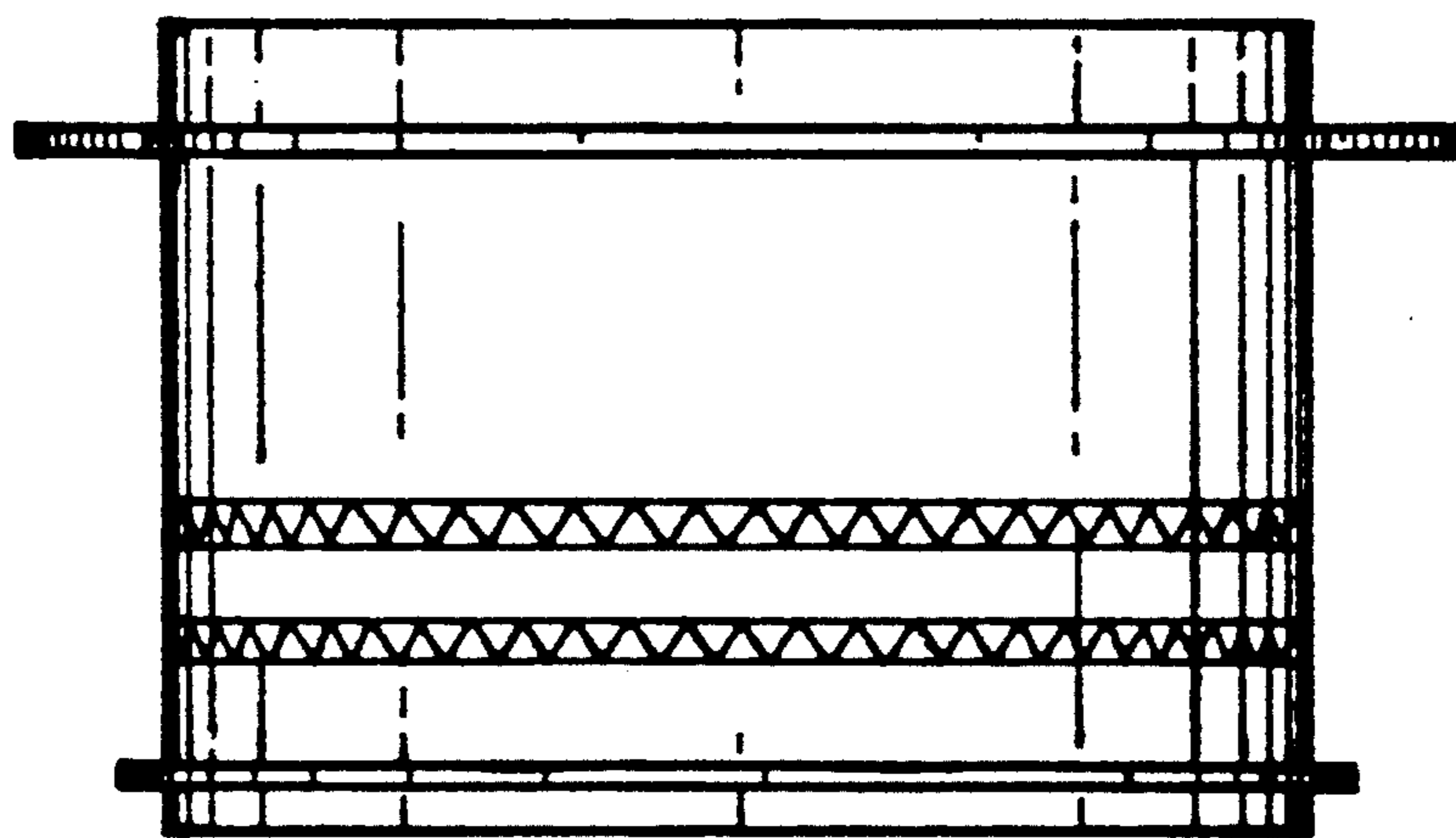


FIG. 3

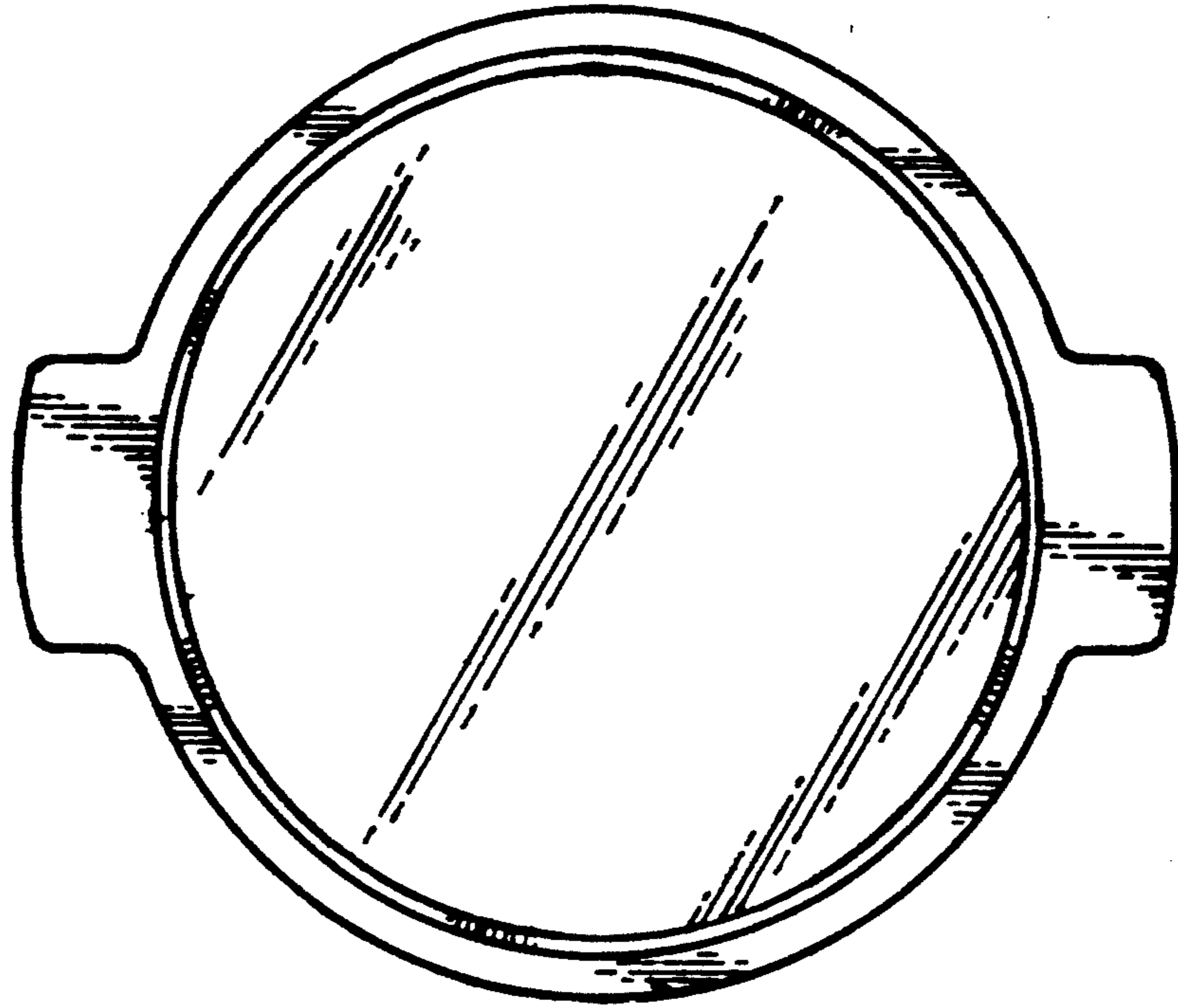


FIG. 4

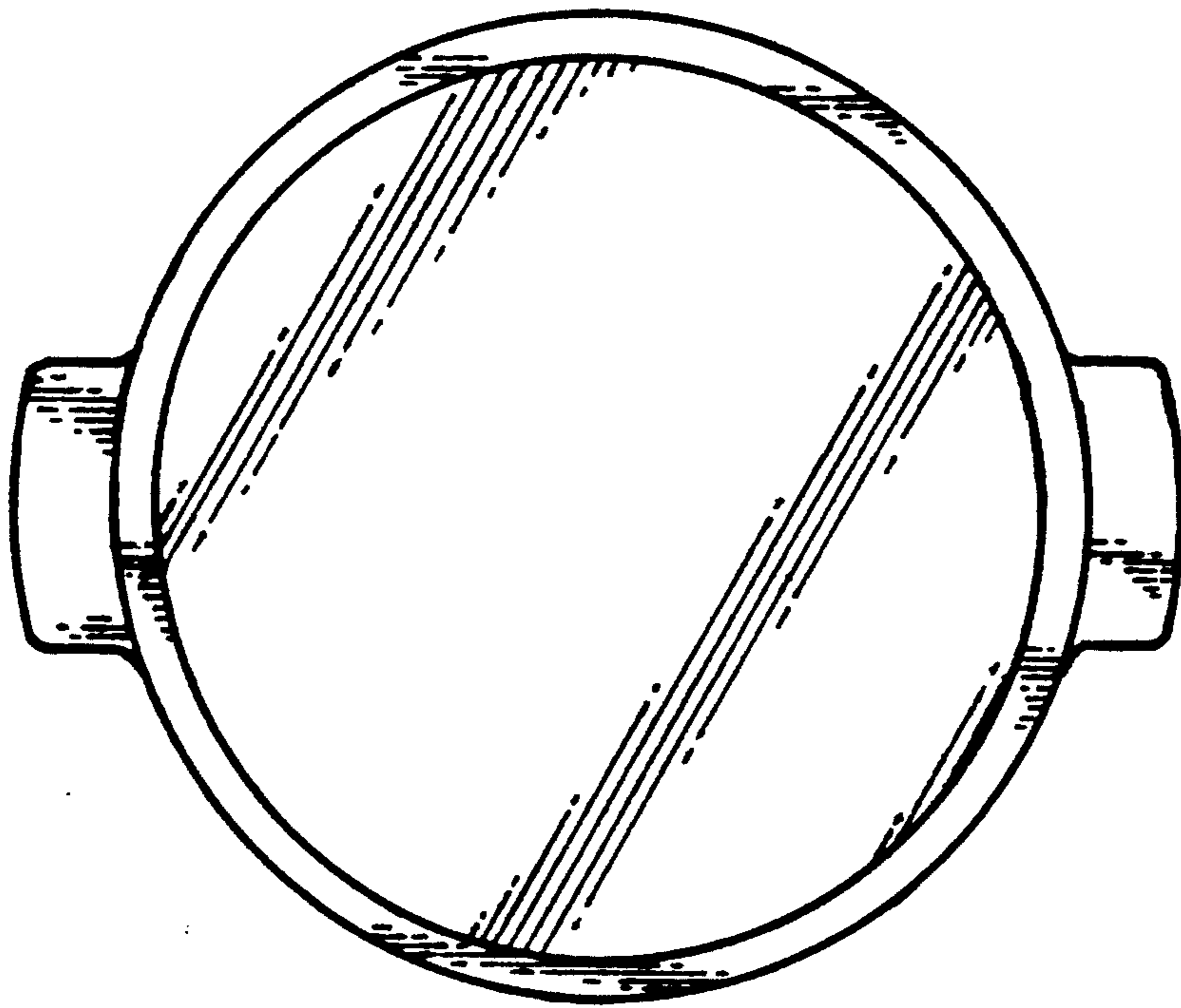


FIG. 5