



US00D347999S

United States Patent [19]

[11] Patent Number: **Des. 347,999**

Pritchard et al.

[45] Date of Patent: **** Jun. 21, 1994**

[54] **COMPACT DISC AND BOOK PACKAGE**

4,819,799 4/1989 Nomula et al. 206/312 X
5,022,522 6/1991 Kennedy 206/387

[75] Inventors: **Daniel Pritchard**, East Greenwich, R.I.; **Richard DeVincent**, Swampscott, Mass.

Primary Examiner—Bernard Ansher
Assistant Examiner—M. Siegel
Attorney, Agent, or Firm—William Nitkin

[73] Assignee: **Stephen Gould Paper Company, Inc.**, Tewksbury, Mass.

[57] **CLAIM**

[**] Term: **14 Years**

The ornamental design for a compact disc and book package, as shown and described.

[21] Appl. No.: **931,525**

DESCRIPTION

[22] Filed: **Aug. 19, 1992**

[52] U.S. Cl. **D9/337; D6/632**

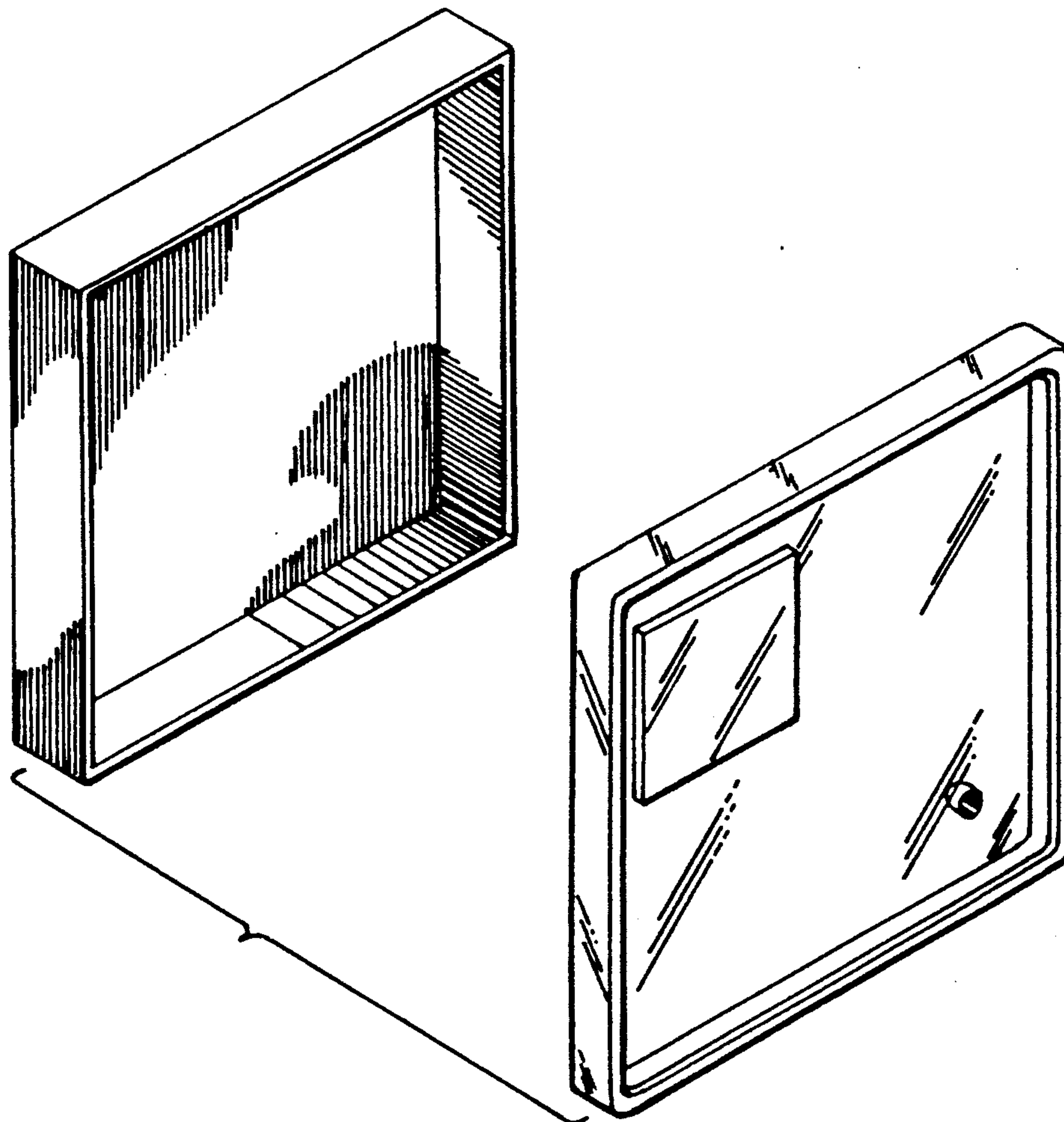
[58] Field of Search **D9/337, 418, 430, 432, D9/455-457, 35; 206/387, 307-313; 434/309; 369/274, 291; D19/26, 32**

FIG. 1 is a front elevational view of a compact disc and book package showing our new design; FIG. 2 is a rear elevational view thereof; FIG. 3 is a left side view thereof; FIG. 4 is a right side view thereof; FIG. 5 is a top plan view thereof; FIG. 6 is a bottom plan view thereof; FIG. 7 is an exploded perspective view thereof; and, FIG. 8 is an exploded perspective view of FIG. 7, the broken line showing of book and compact disk is for illustrative purposes only and forms no part of the claimed design.

[56] **References Cited**

U.S. PATENT DOCUMENTS

- D. 285,144 8/1986 Roskvist D3/35
- D. 306,255 2/1990 Lambert D3/35 X
- D. 329,601 9/1992 Samelson D9/418
- D. 333,931 3/1993 Wein D9/456 X



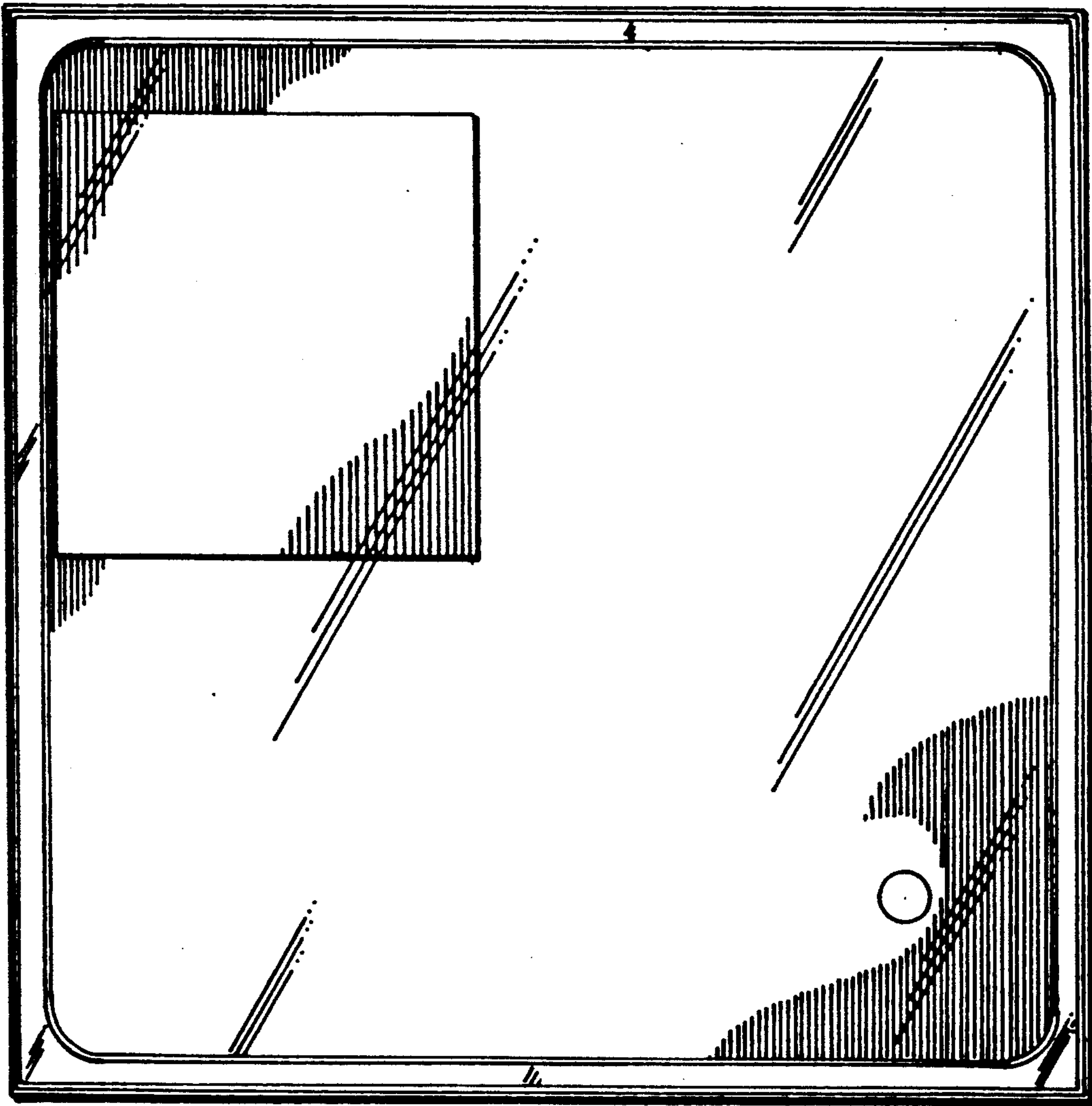


FIG. 1

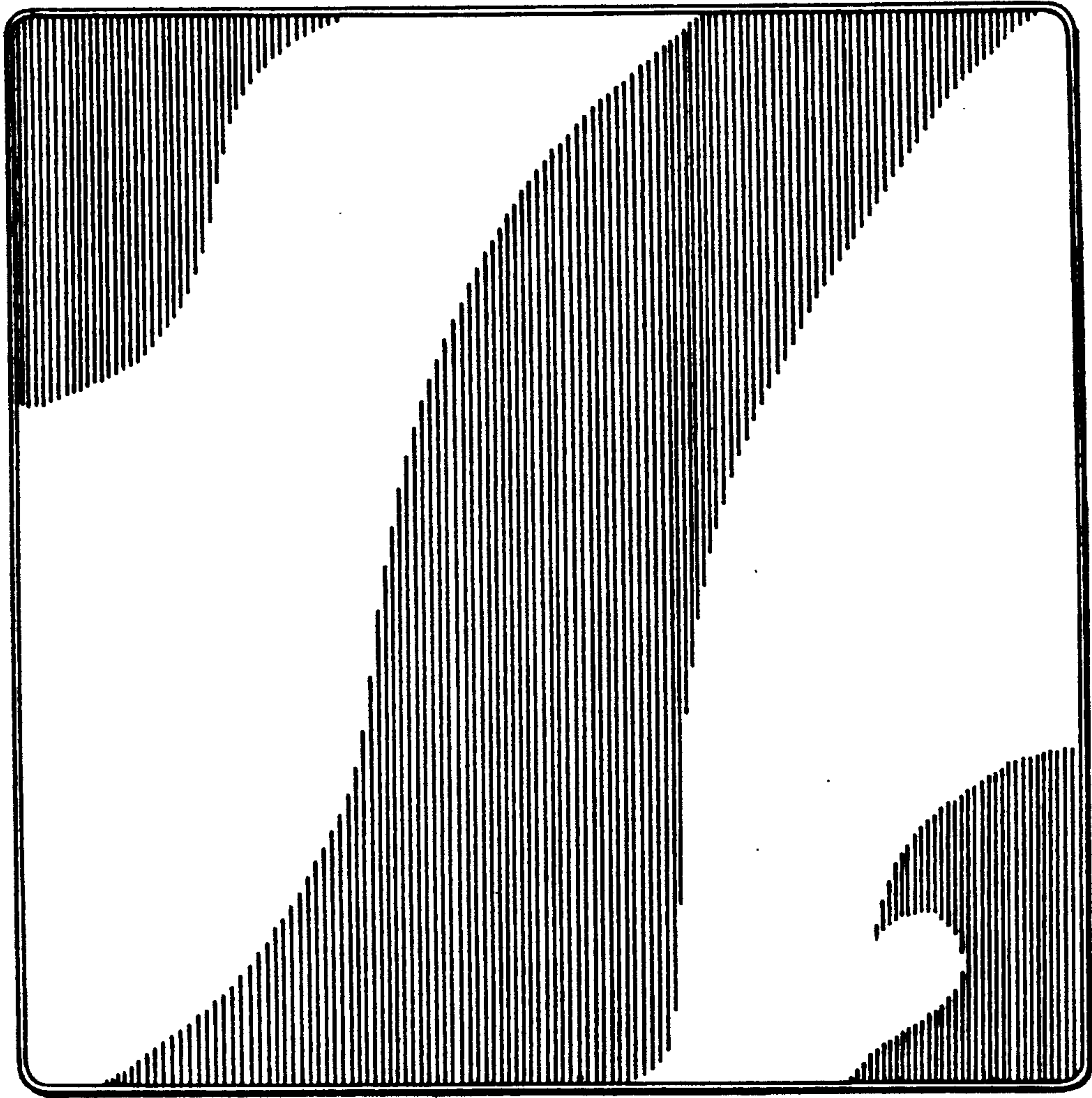


FIG. 2

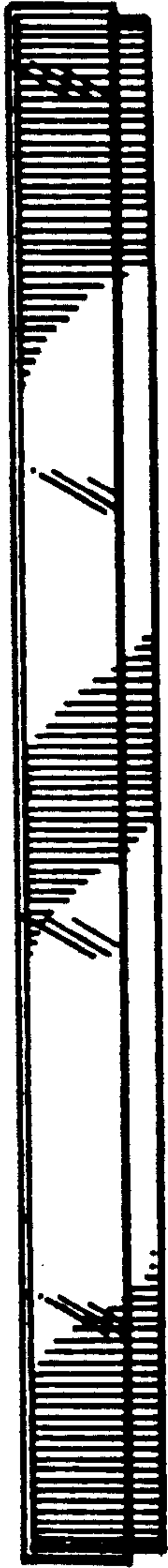


FIG. 3

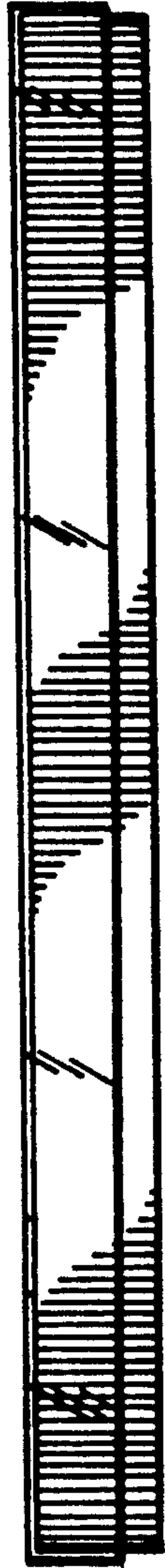


FIG. 4



FIG. 5



FIG. 6

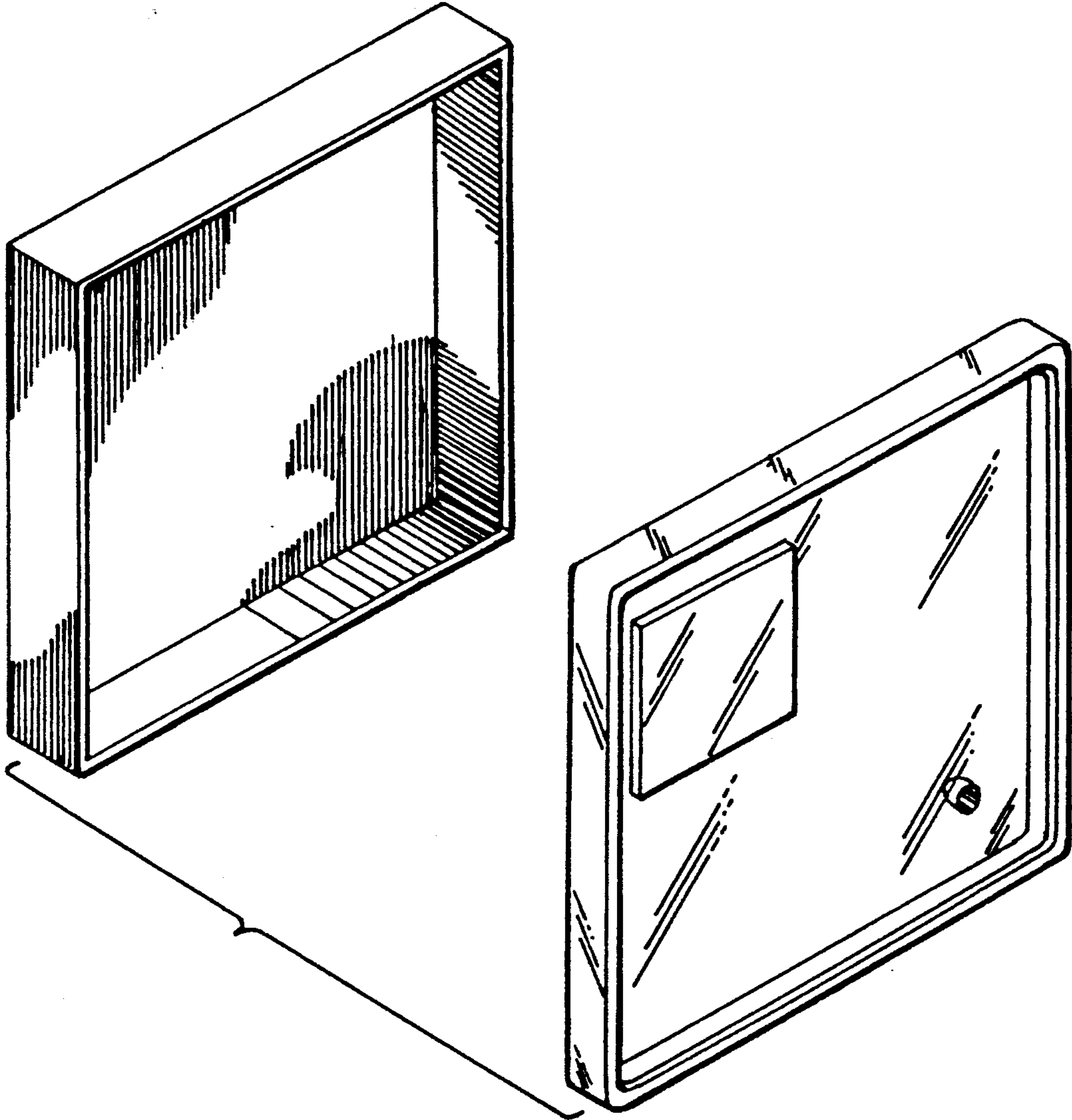


FIG. 7

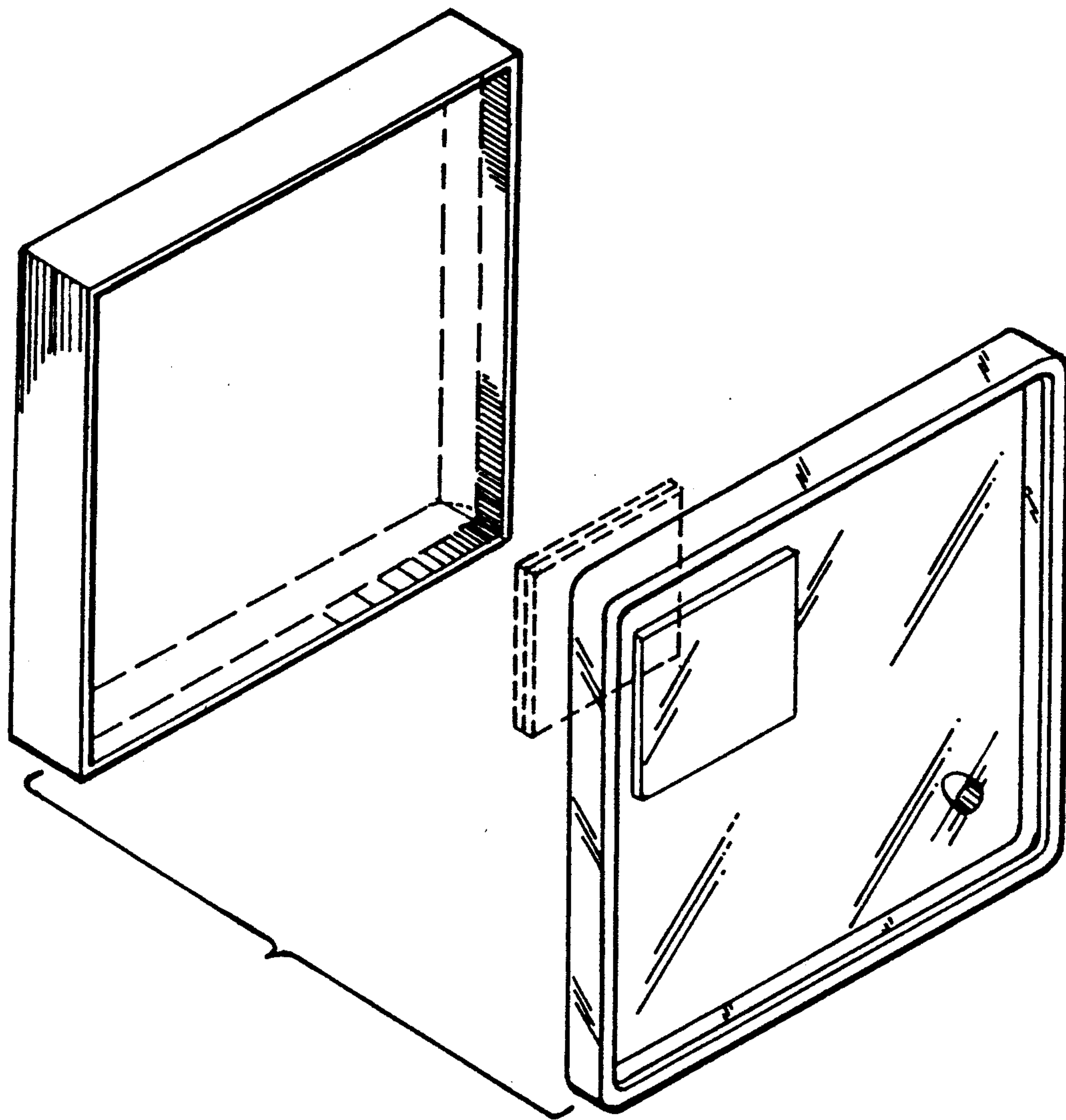


FIG. 8