



US00D347990S

# United States Patent [19]

[11] Patent Number: **Des. 347,990**

**Petrohilos**

[45] Date of Patent: **\*\* Jun. 21, 1994**

[54] **PANEL CLIP FOR COMPONENT FURNITURE**

[75] Inventor: **Dimitri Petrohilos**, London, England

[73] Assignee: **Adestia Corporation**, Norfolk, Va.

[\*\*] Term: **14 Years**

[21] Appl. No.: **792,744**

[22] Filed: **Nov. 15, 1991**

[52] U.S. Cl. .... **D8/382**

[58] Field of Search ..... **D8/382; 403/286, 337, 403/373, 407.1, DIG. 10, 403; 248/188**

[56] **References Cited**

**U.S. PATENT DOCUMENTS**

3,754,728	8/1973	Bowman	248/188
4,014,618	3/1977	Kristiansen	403/205
4,032,242	6/1977	Morris	248/188
4,124,186	11/1978	Call, Sr.	248/188
4,396,173	8/1983	Call, Sr.	403/231
5,033,901	7/1991	Dias	403/403

**OTHER PUBLICATIONS**

Adestia Corp. Original Panel Clip letter to attorney Jun. 24, 1991.

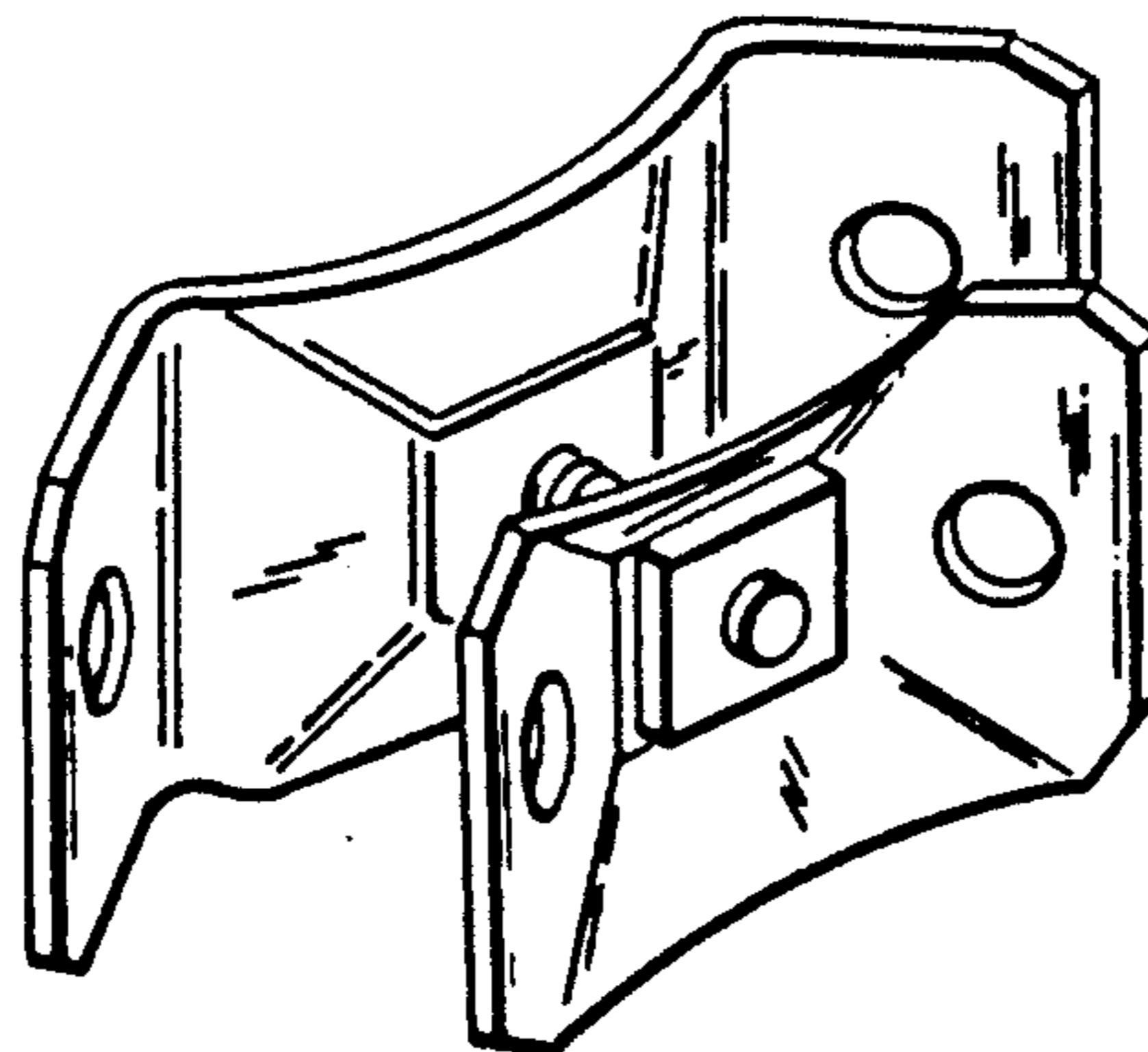
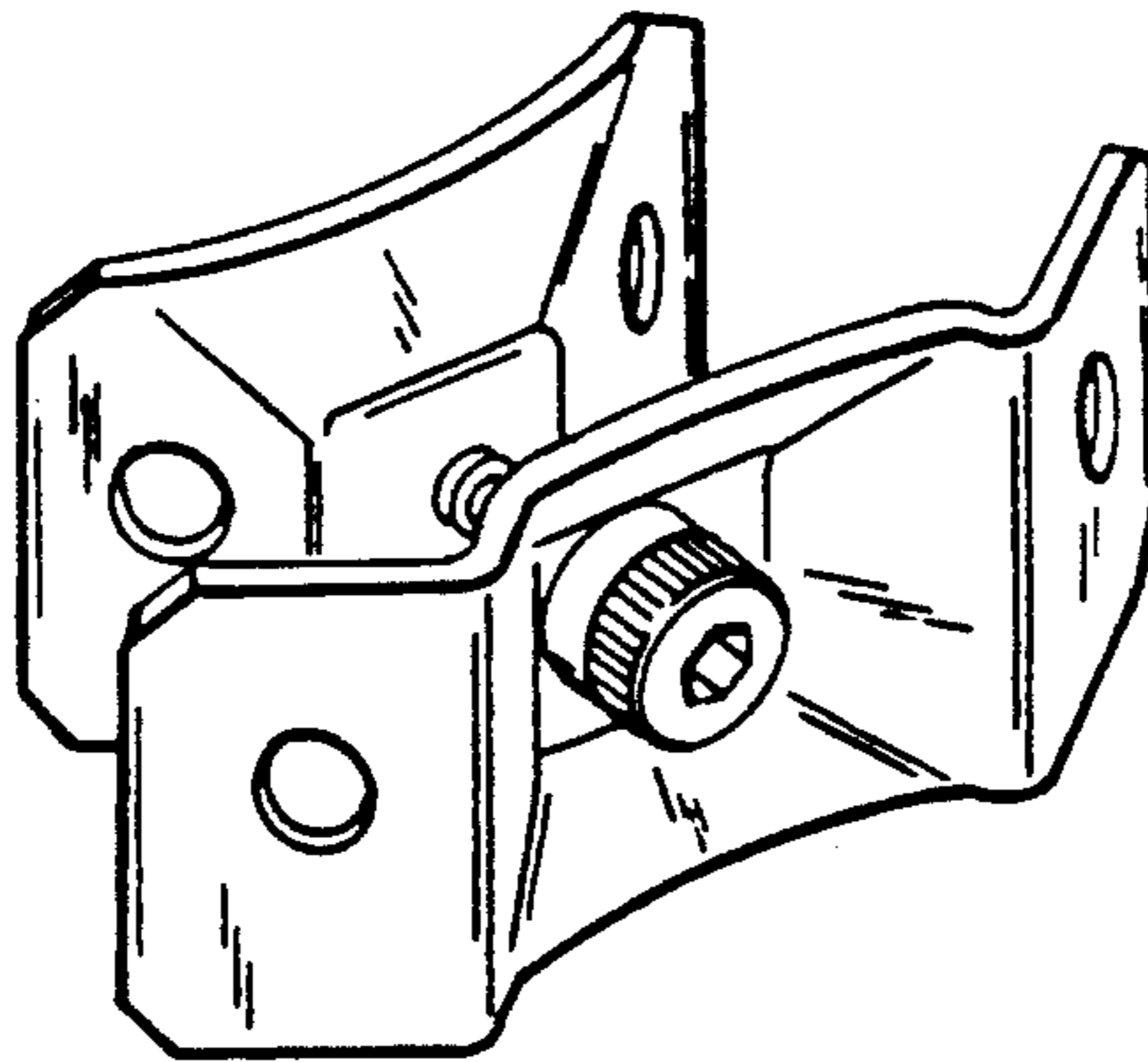
*Primary Examiner*—B. J. Bullock  
*Attorney, Agent, or Firm*—Kalish & Gilster

[57] **CLAIM**

The ornamental design for a panel clip for component furniture, as shown and described.

**DESCRIPTION**

FIG. 1 is a front perspective view of a panel clip for component furniture embodying my new design; FIG. 2 is a back perspective view thereof; FIG. 3 is a front elevation view thereof; FIG. 4 is a top plan view thereof, the bottom being a mirror image; FIG. 5 is a left end elevational view thereof; FIG. 6 is a right end elevational view thereof; and, FIG. 7 is a back elevation view thereof.



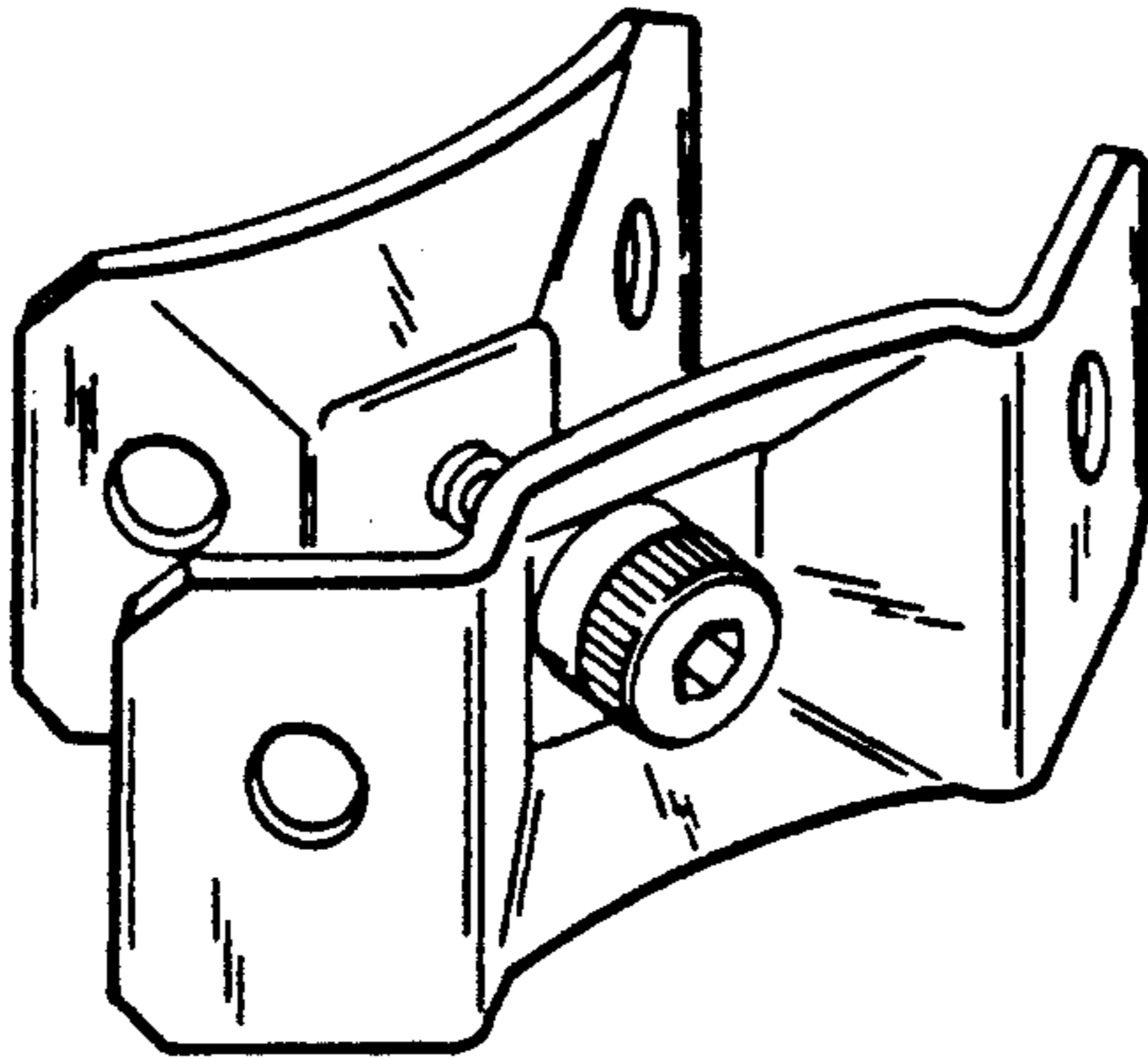


FIG. 1

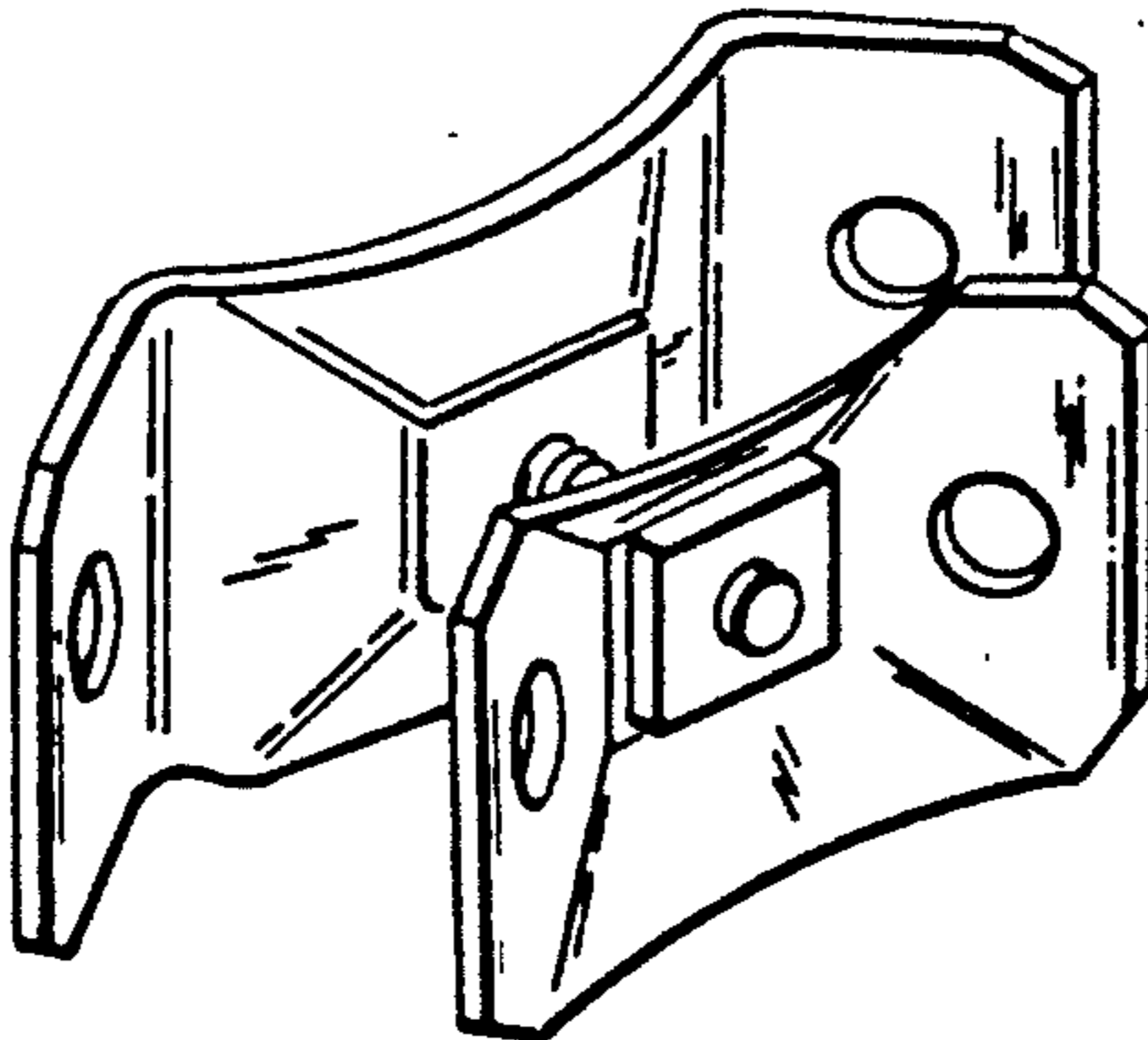


FIG. 2

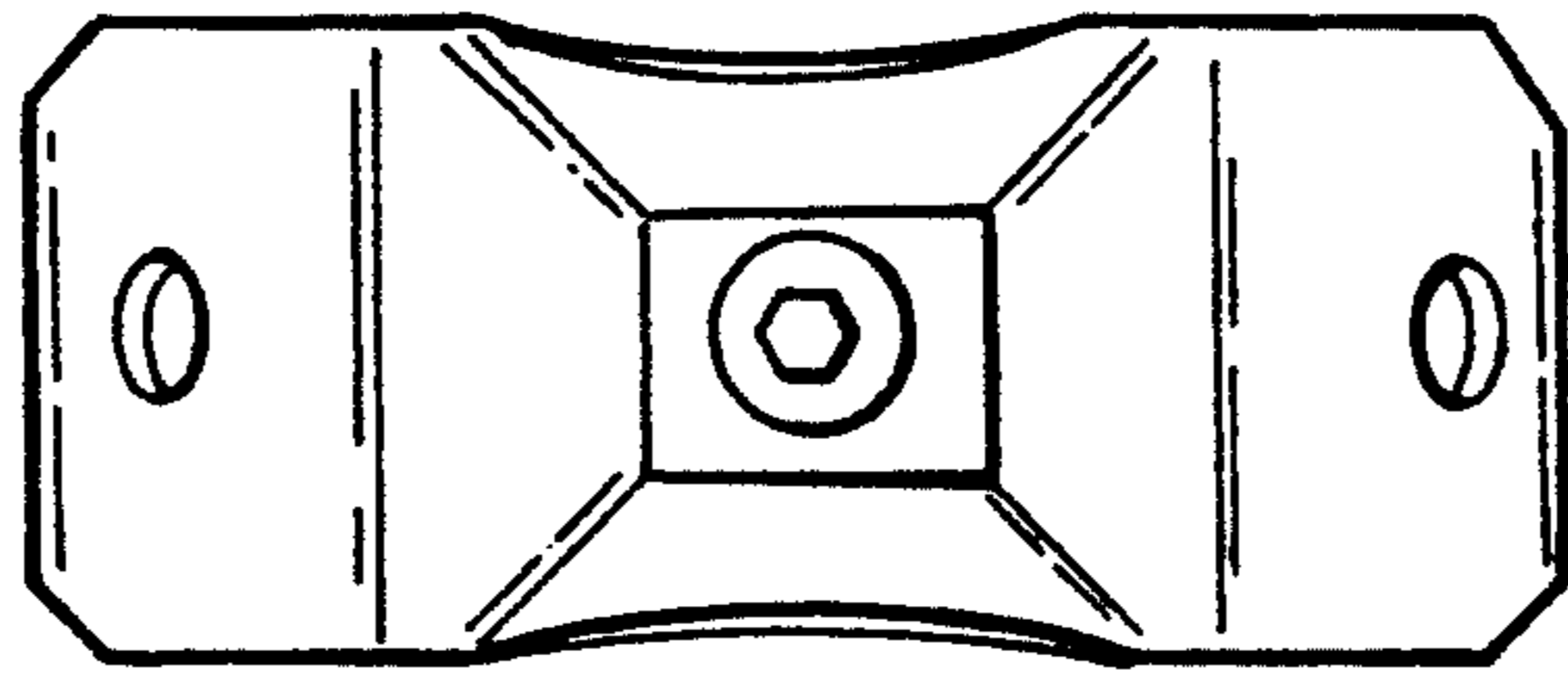


FIG. 3

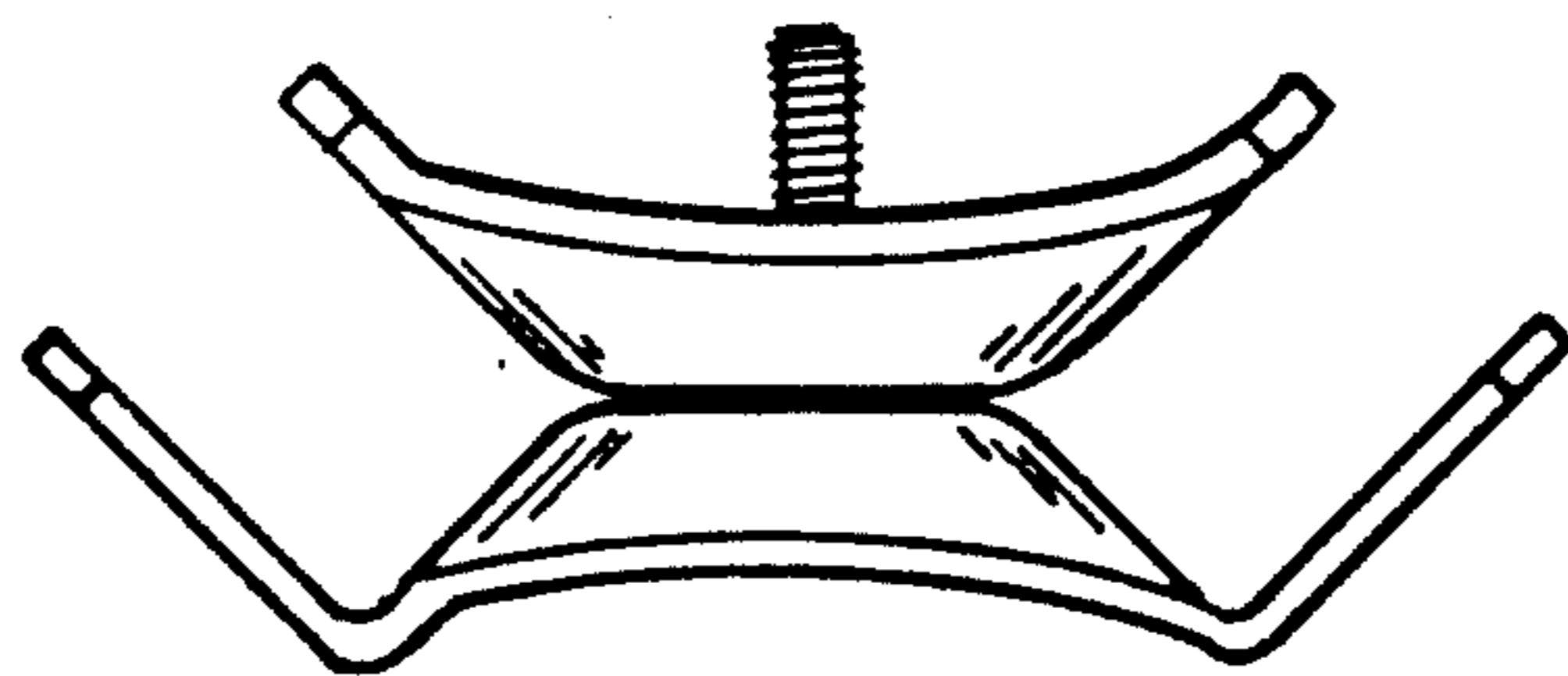


FIG. 4

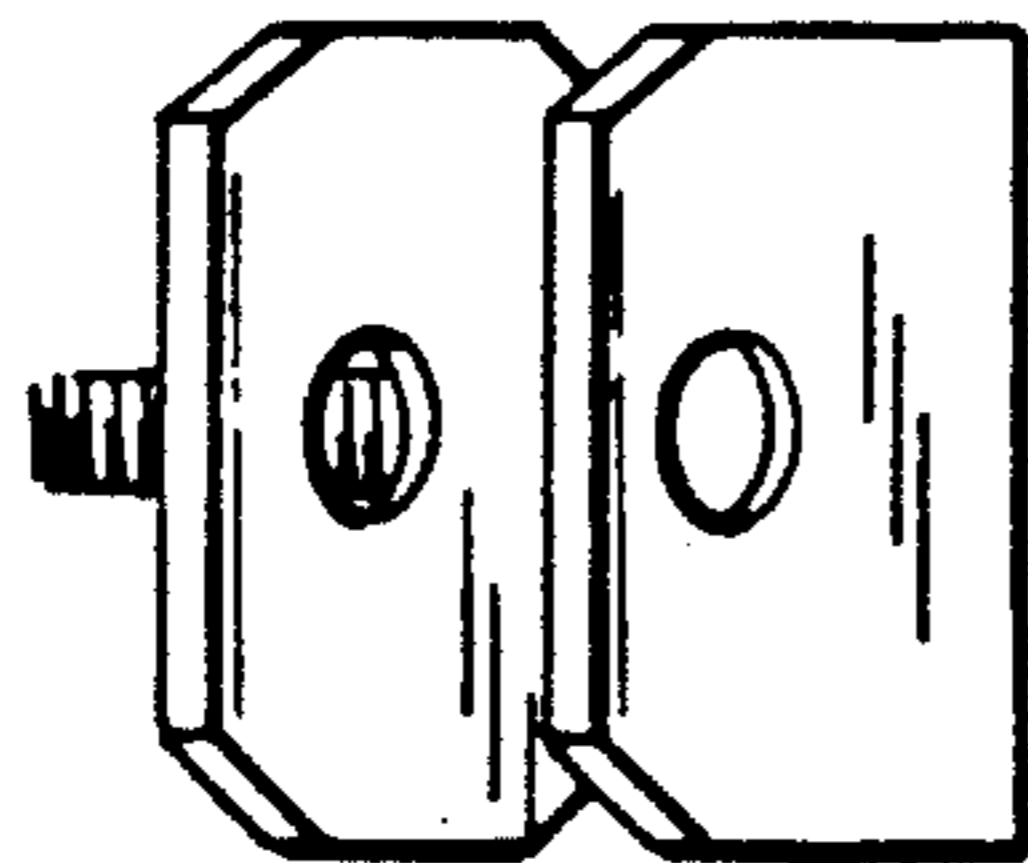


FIG. 5

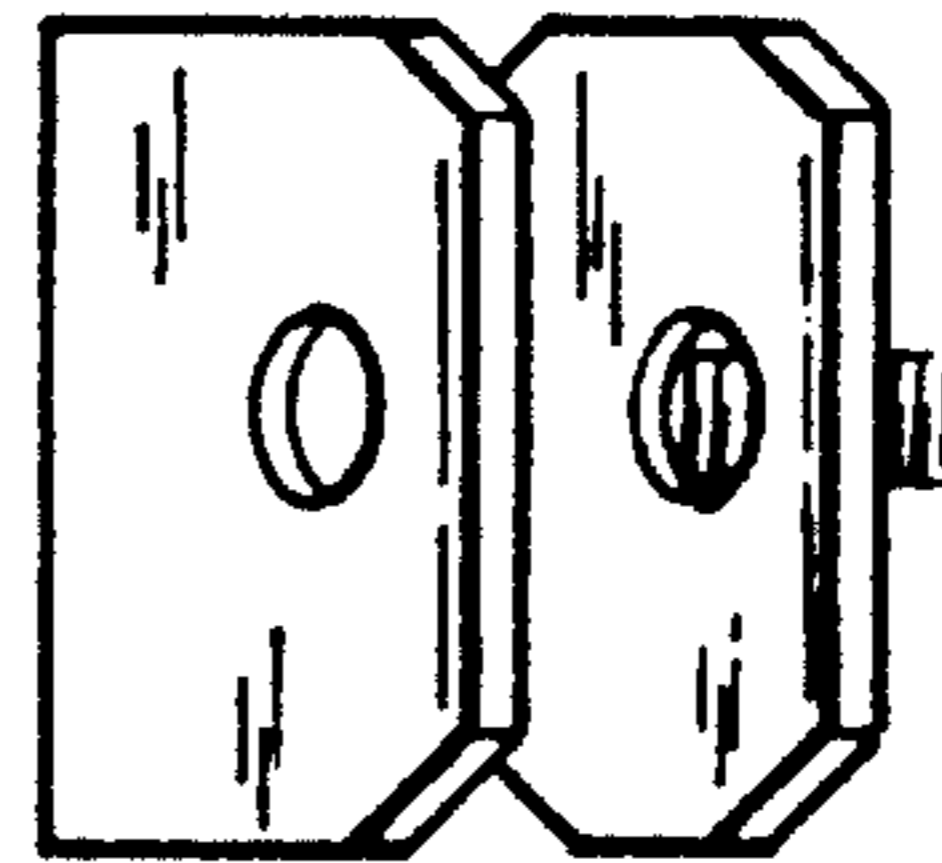


FIG. 6

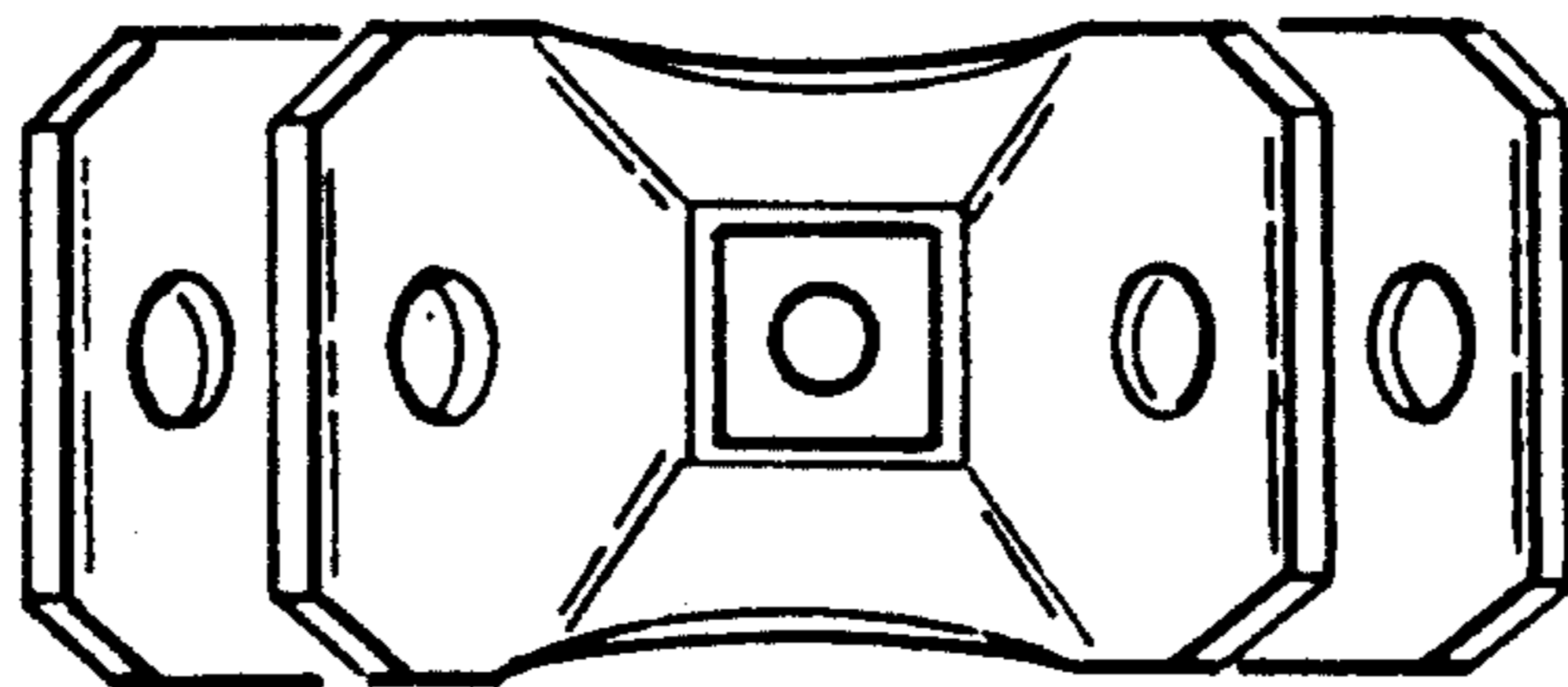


FIG. 7