



US00D347986S

United States Patent [19]

[11] Patent Number: **Des. 347,986**

Booth

[45] Date of Patent: **** Jun. 21, 1994**

[54] **AUXILIARY HANDLE FOR LONG TOOL HANDLES**

3,466,078	9/1969	Sholund	294/58
4,155,582	5/1979	Reisner	294/58
4,537,433	8/1985	Yang	294/58
5,054,830	10/1991	Nisenbaum	294/58

[76] Inventor: **Everett J. Booth, 23 Kingman St., East Taunton, Mass. 02718**

[**] Term: **14 Years**

Primary Examiner—Bernhard Ansher
Assistant Examiner—Philip Hyder
Attorney, Agent, or Firm—Salter, Michaelson & Benson

[21] Appl. No.: **5,120**

[22] Filed: **Feb. 23, 1993**

[52] U.S. Cl. **D8/107**

[58] Field of Search **D8/14, 107, 10; 294/57, 294/58, 59, 49; 16/114 R, 110 R**

[57] CLAIM

The ornamental design for a auxiliary handle for long tool handles, as shown.

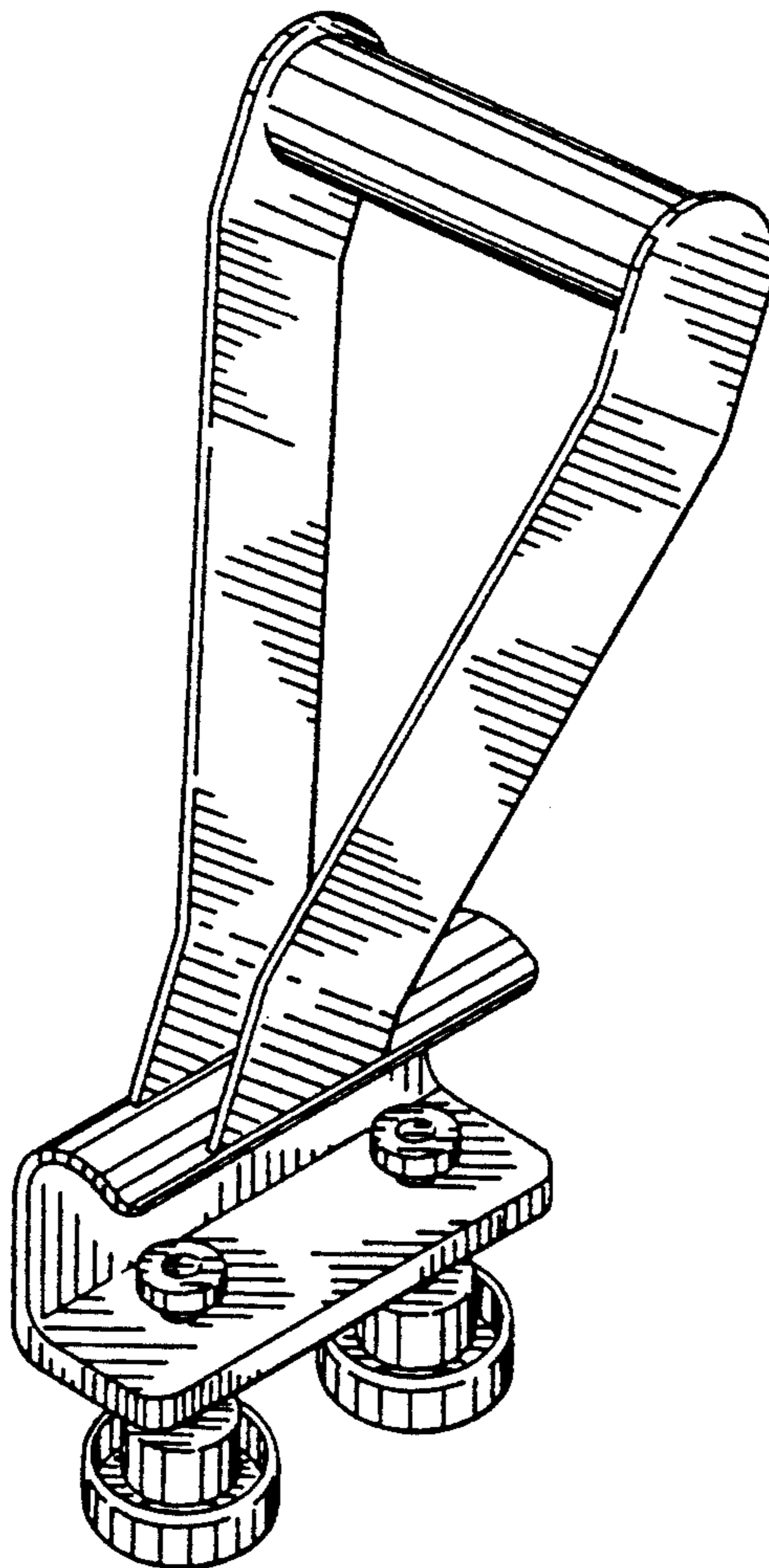
[56] References Cited

U.S. PATENT DOCUMENTS

715,056	12/1902	Gruner	294/58
1,083,054	12/1913	Brow	294/58
1,152,012	8/1915	Herringstad	294/58
1,524,168	1/1925	Burns	294/58
1,534,075	4/1925	Parrish	294/58
3,155,414	11/1964	Bales	294/58

DESCRIPTION

FIG. 1 is a perspective view of a auxiliary handle for long tool handles showing my new design; FIG. 2 is a front elevational view thereof; FIG. 3 is a right side elevational view thereof; FIG. 4 is a left side elevational view thereof; FIG. 5 is a rear elevational view thereof; FIG. 6 is a top plan view thereof; and, FIG. 7 is a bottom plan view thereof.



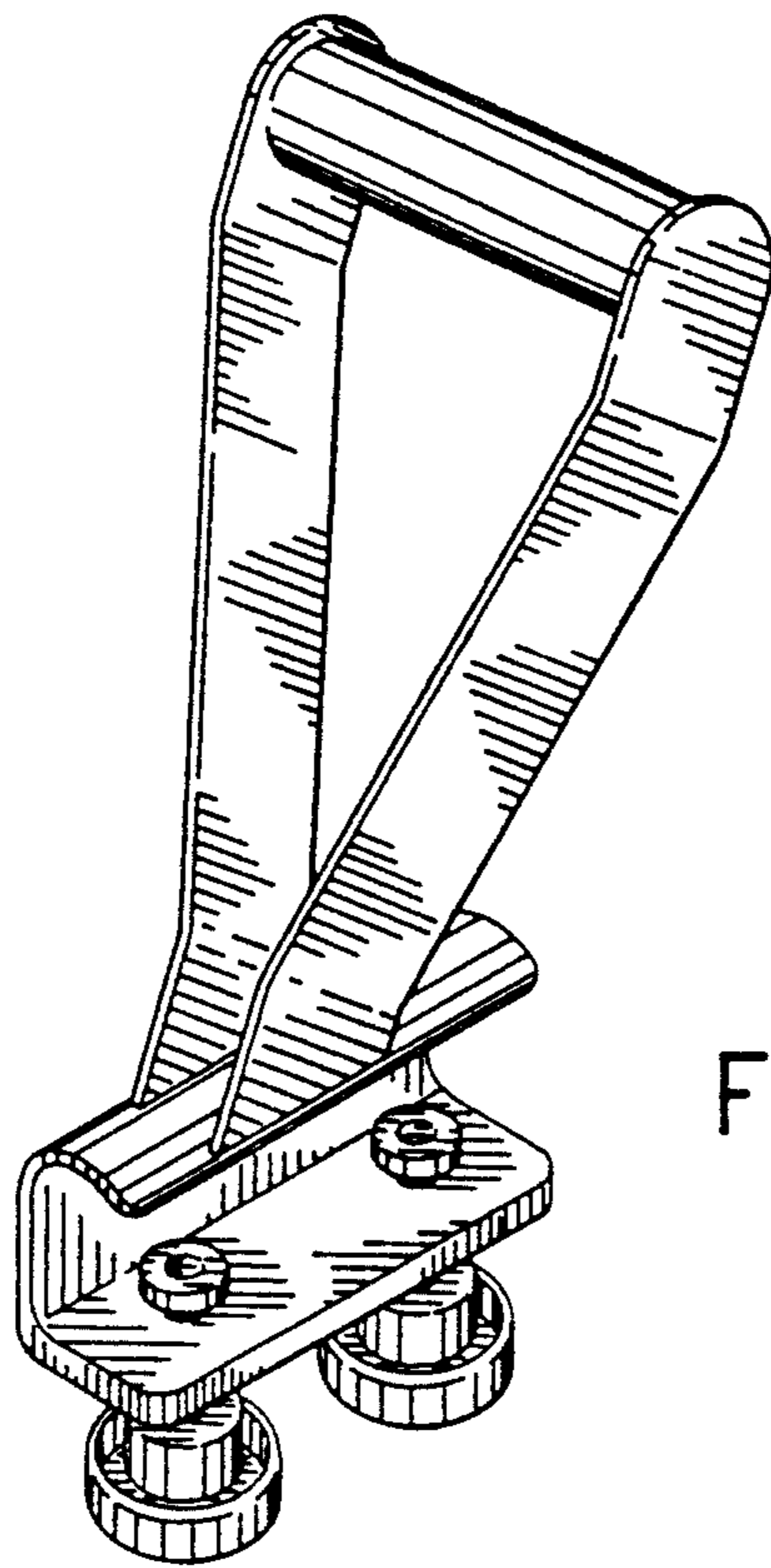


FIG. 1

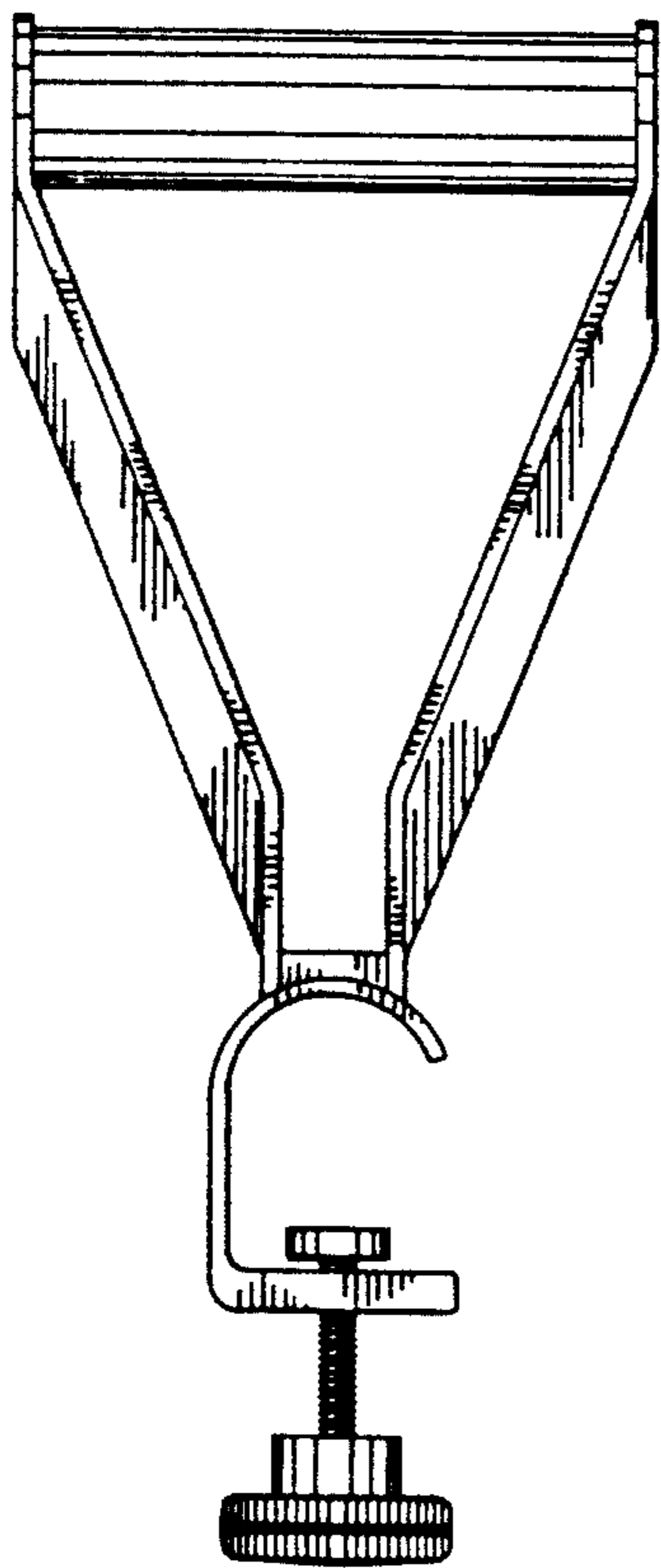


FIG. 2

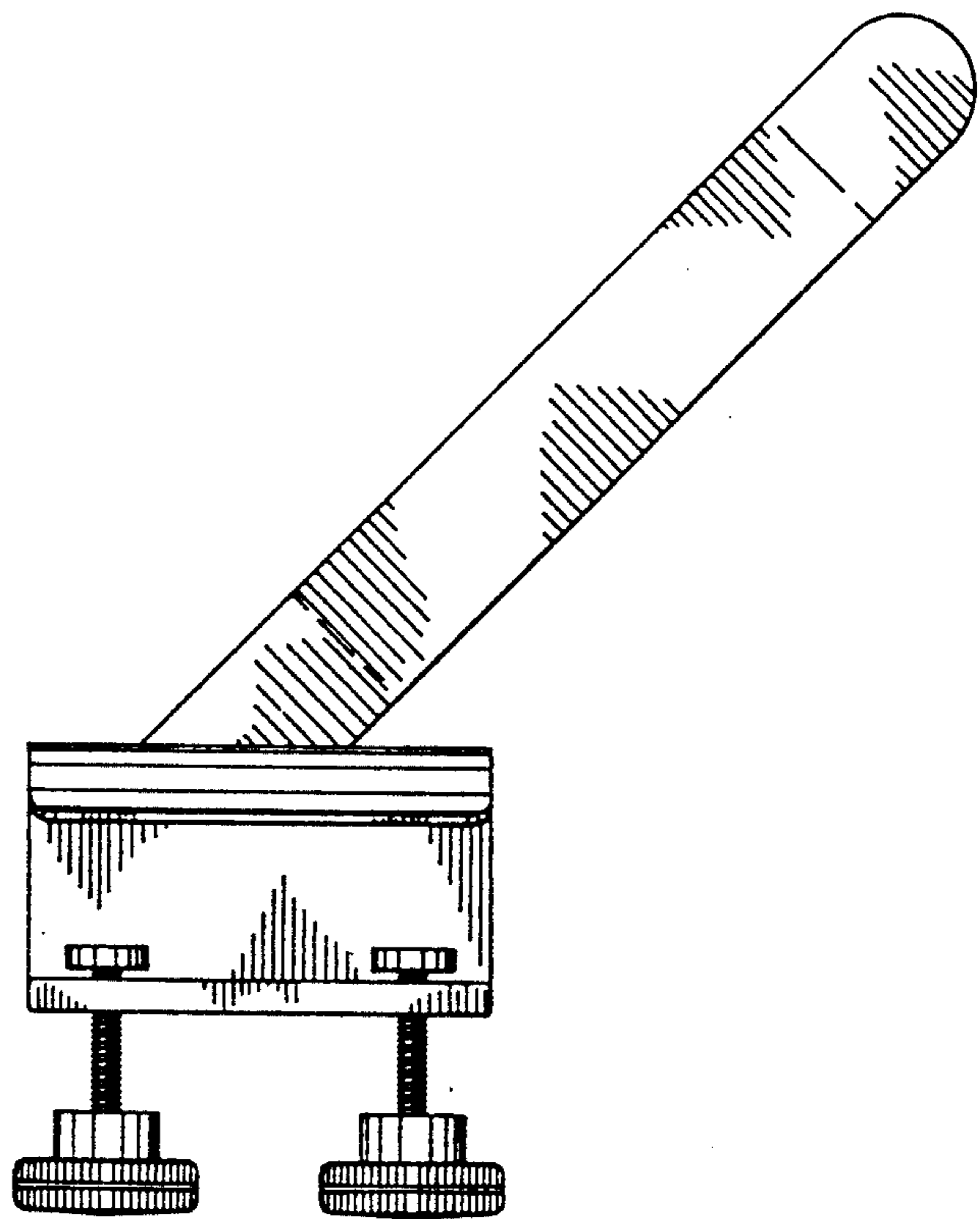


FIG. 3

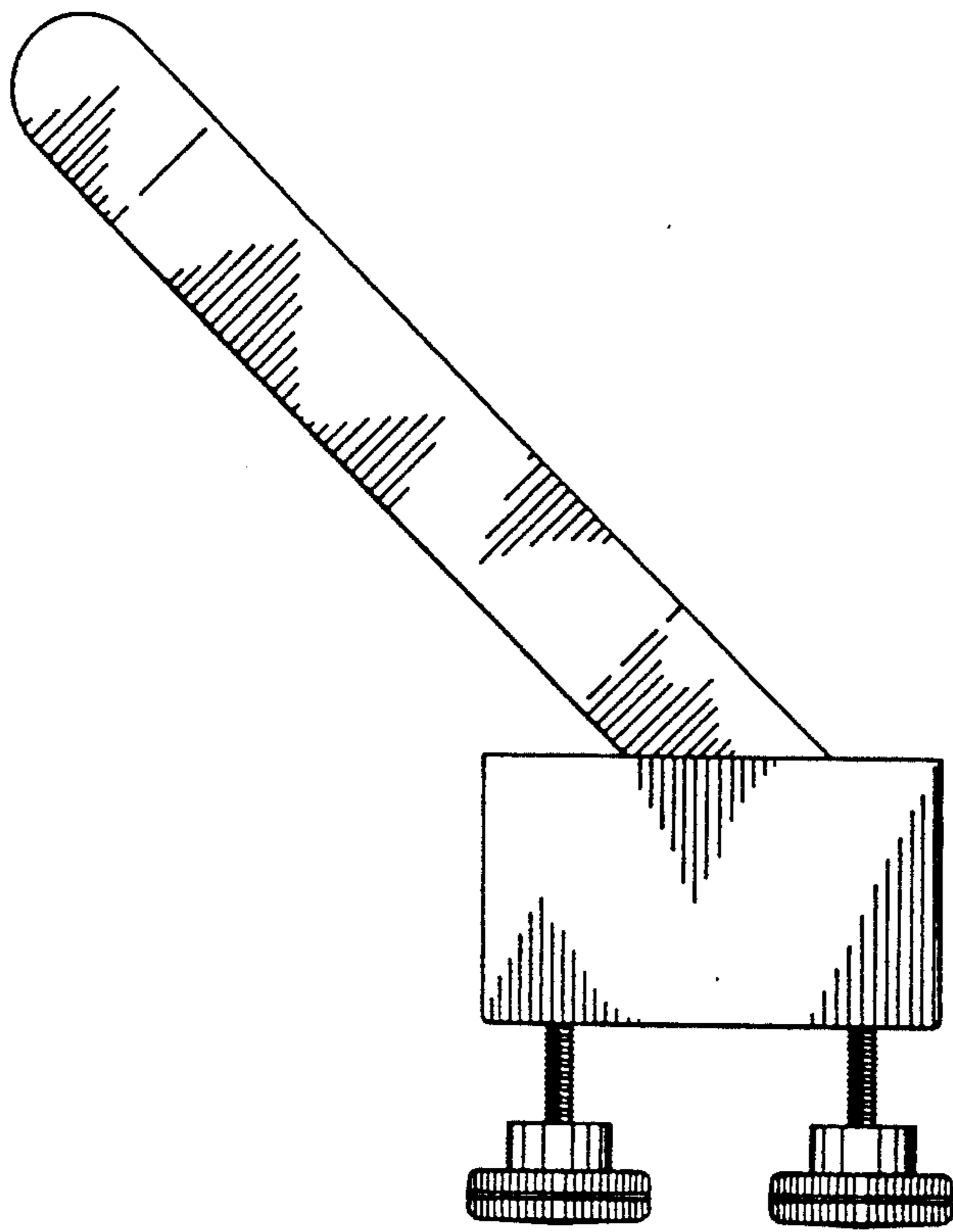


FIG. 4

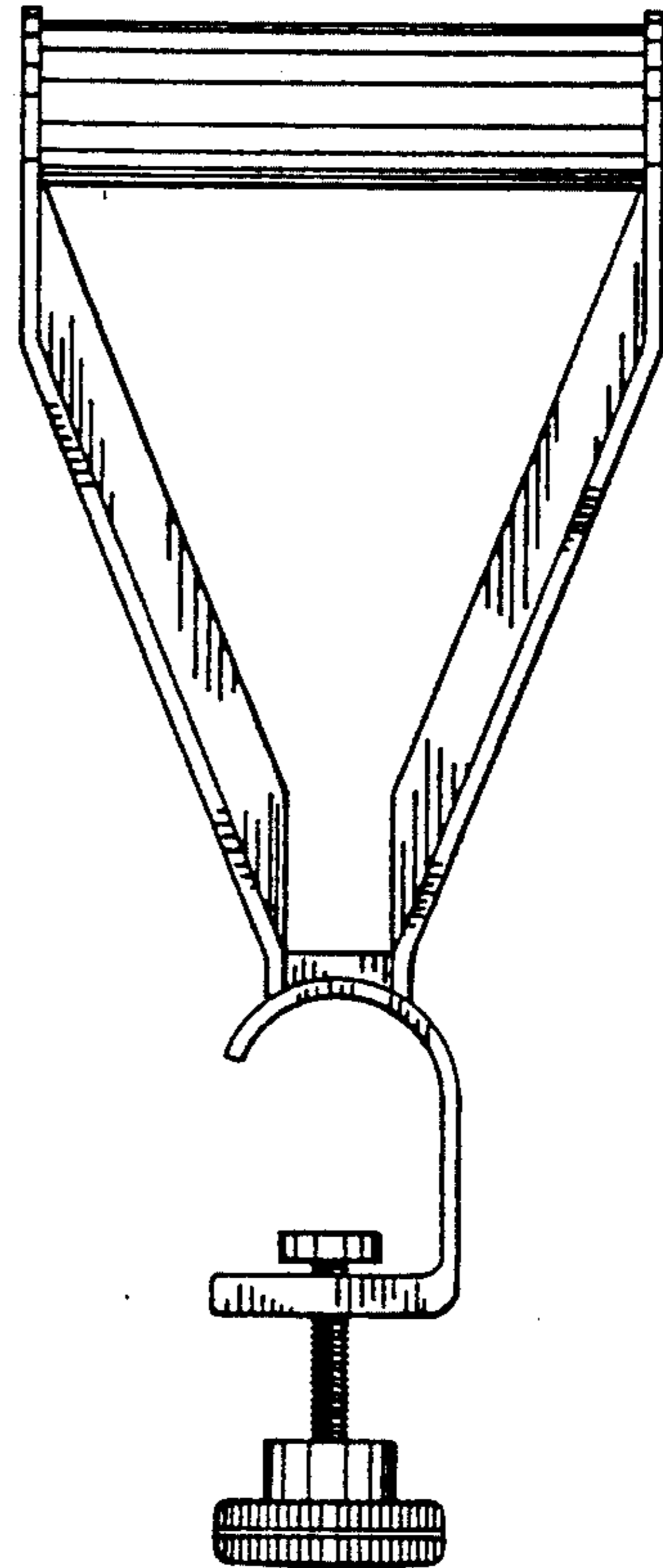


FIG. 5

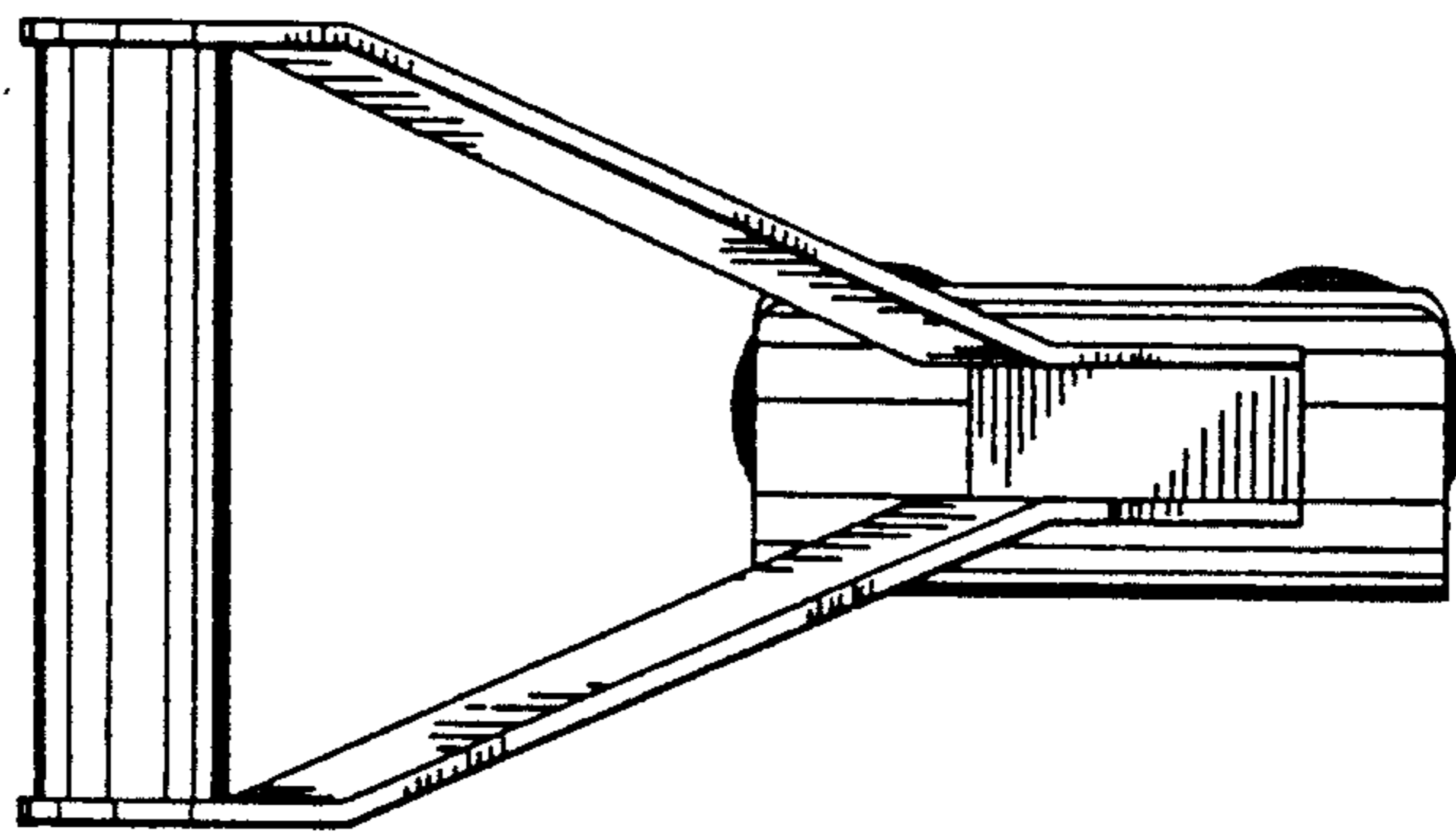


FIG. 6

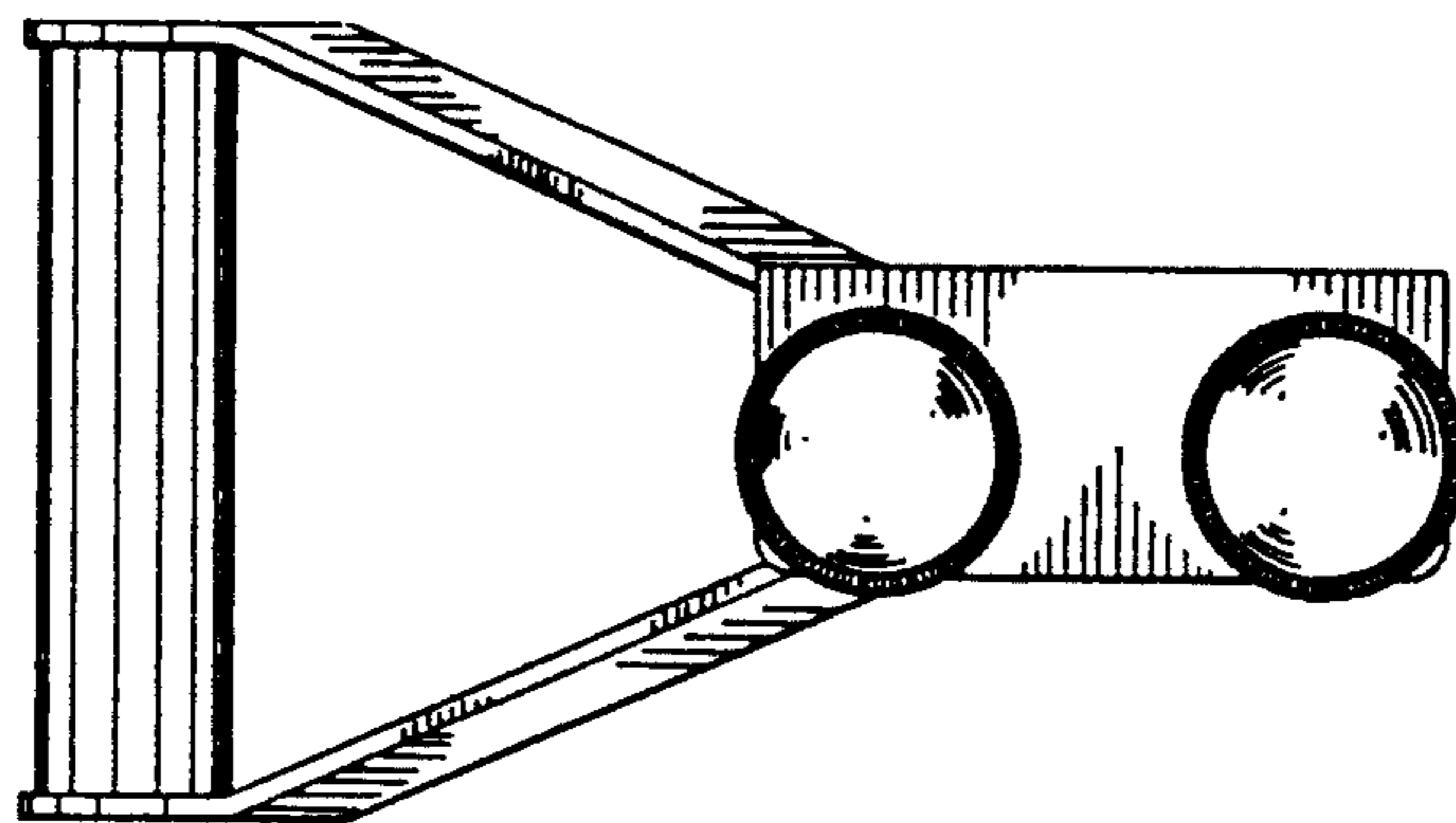


FIG. 7