



US00D347982S

# United States Patent [19]

[11] Patent Number: Des. 347,982

Perez

[45] Date of Patent: \*\* Jun. 21, 1994

[54] SHUT-OFF VALVE WRENCH

[76] Inventor: Arthur L. Perez, 1805 Doncrest St., Monterey Park, Calif. 91754

[\*\*] Term: 14 Years

[21] Appl. No.: 1,221

[22] Filed: Nov. 6, 1992

[52] U.S. Cl. .... D8/21

[58] Field of Search ..... D8/17, 21, 26, 27; 81/121.1, 125, 125.1, 176.1, 177.1, 119, 124.4, 124.5

[56] References Cited

U.S. PATENT DOCUMENTS

D. 264,796	6/1982	Frick et al. ....	D8/17
D. 282,046	1/1986	Dumond et al. ....	D8/17
D. 287,927	1/1987	Zankich ....	D8/17
D. 304,668	11/1989	Strock ....	D8/21
510,981	12/1893	Massey .	
1,256,216	2/1918	Fessler .	
1,348,570	8/1920	Knight ....	81/125.1
1,424,676	8/1922	Parsons ....	81/125.1
1,802,832	4/1931	Priddle ....	81/125.1
1,936,352	11/1933	Dixon ....	81/125.1
1,942,316	1/1934	Volz ....	81/125.1
2,161,163	6/1939	Hedgpeth ....	D8/21

OTHER PUBLICATIONS

The Antique Wrench Book, 1982, By Wullweber, pp. 53, 65, 67, 71, wrenches.

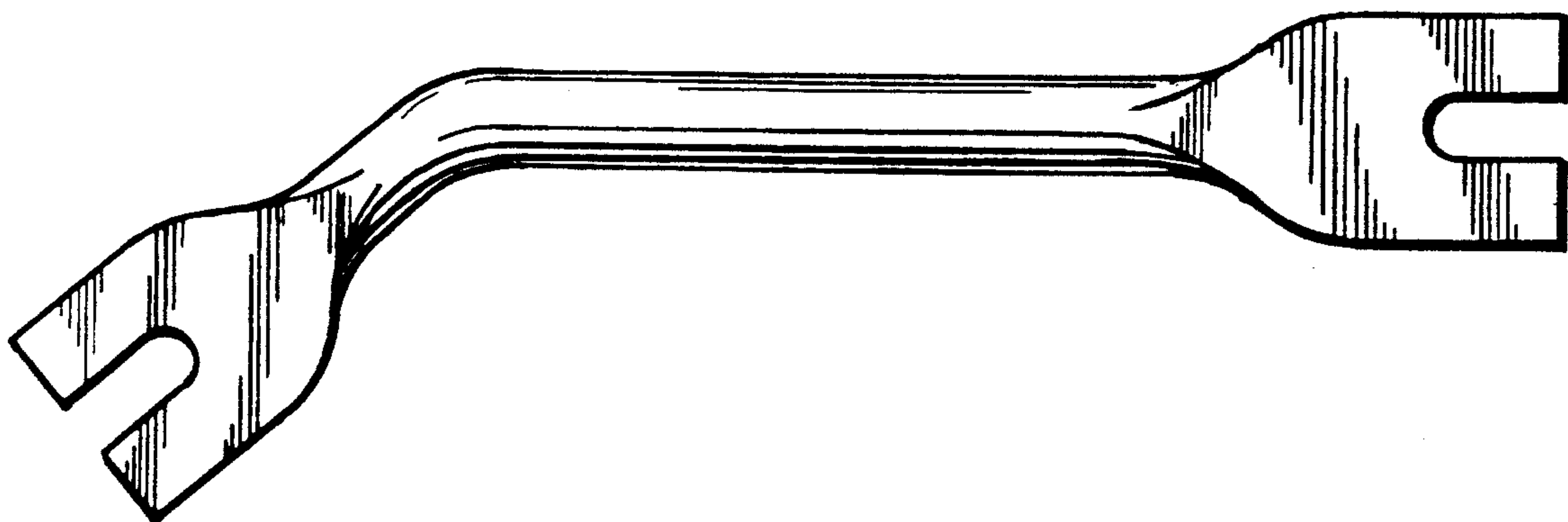
Primary Examiner—Bernard Ansher  
Assistant Examiner—Philip Hyder  
Attorney, Agent, or Firm—Boniard I. Brown

[57] CLAIM

The ornamental design for a shut-off valve wrench, as shown and described.

DESCRIPTION

FIG. 1 is a front elevational view of a shut-off valve wrench showing my new design;  
 FIG. 2 is a bottom view thereof;  
 FIG. 3 is a rear view thereof;  
 FIG. 4 is an top view thereof;  
 FIG. 5 is a left side elevational view of FIG. 4;  
 FIG. 6 is a right side elevational view of FIG. 4;  
 FIG. 7 is a front elevational view of a second embodiment of the design of FIG. 1;  
 FIG. 8 is a bottom view of FIG. 7;  
 FIG. 9 is a rear view of FIG. 7;  
 FIG. 10 is a top view of FIG. 7;  
 FIG. 11 is a left side elevational view of FIG. 10;  
 FIG. 12 is a right side elevational view of FIG. 10;  
 FIG. 13 is a front elevational view of a third embodiment of the design of FIG. 1;  
 FIG. 14 is a bottom view of FIG. 13;  
 FIG. 15 is a rear view of FIG. 13;  
 FIG. 16 is a top view of FIG. 13;  
 FIG. 17 is a left side elevational view of FIG. 16; and,  
 FIG. 18 is a right side elevational view of FIG. 16.



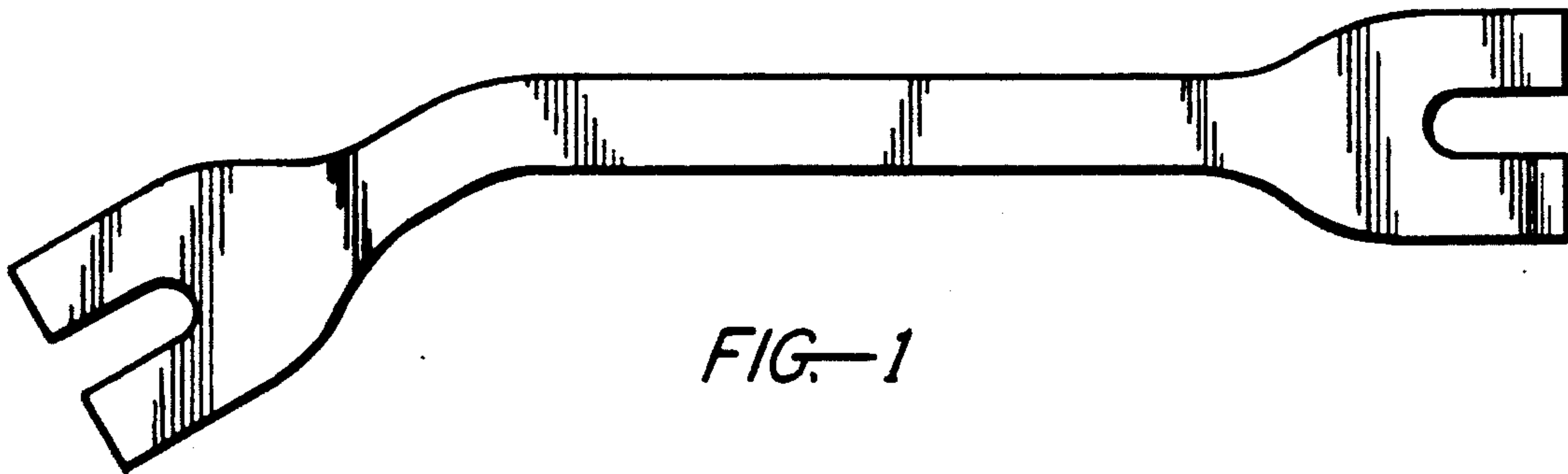


FIG. 1



FIG. 2

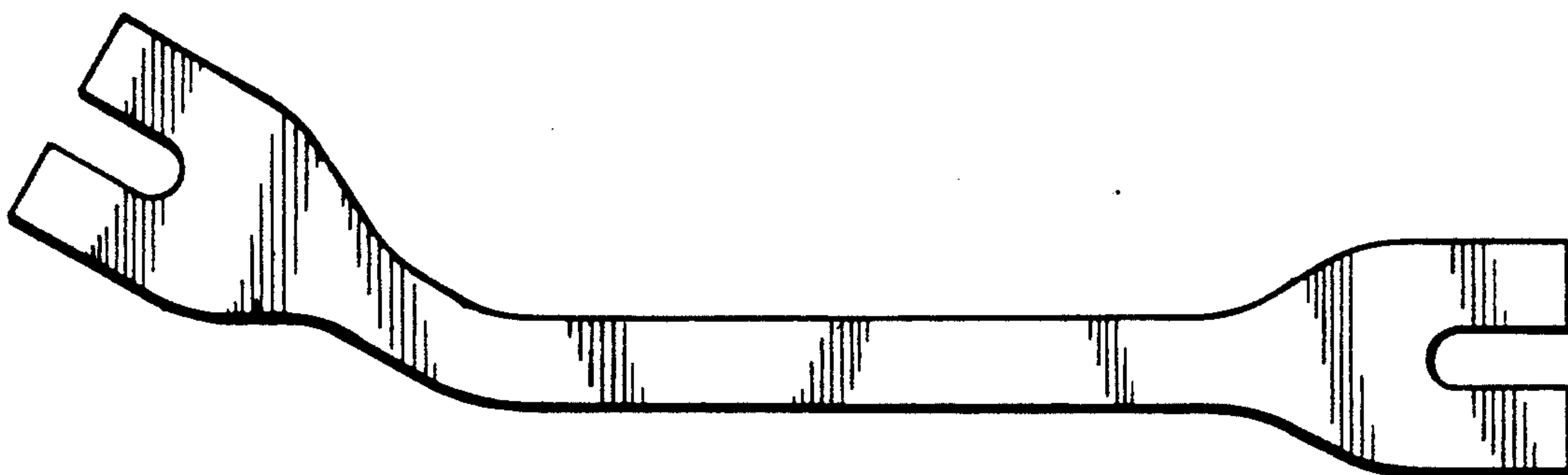


FIG. 3



FIG. 4



FIG. 5



FIG. 6

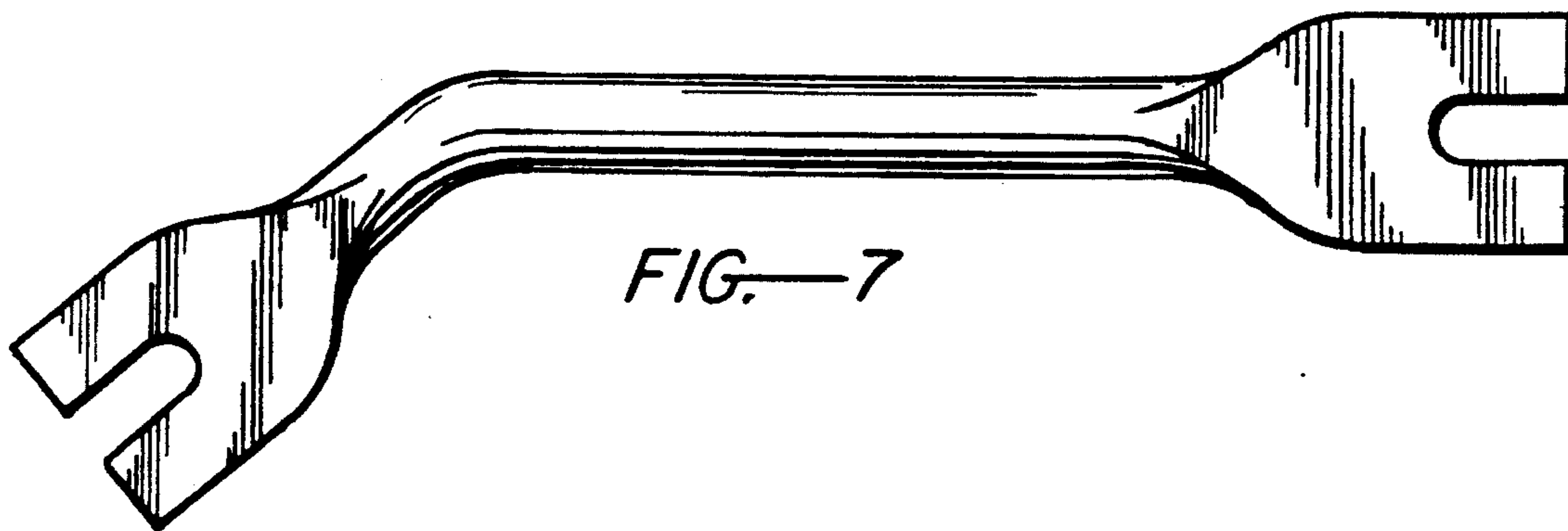


FIG.—7



FIG.—8

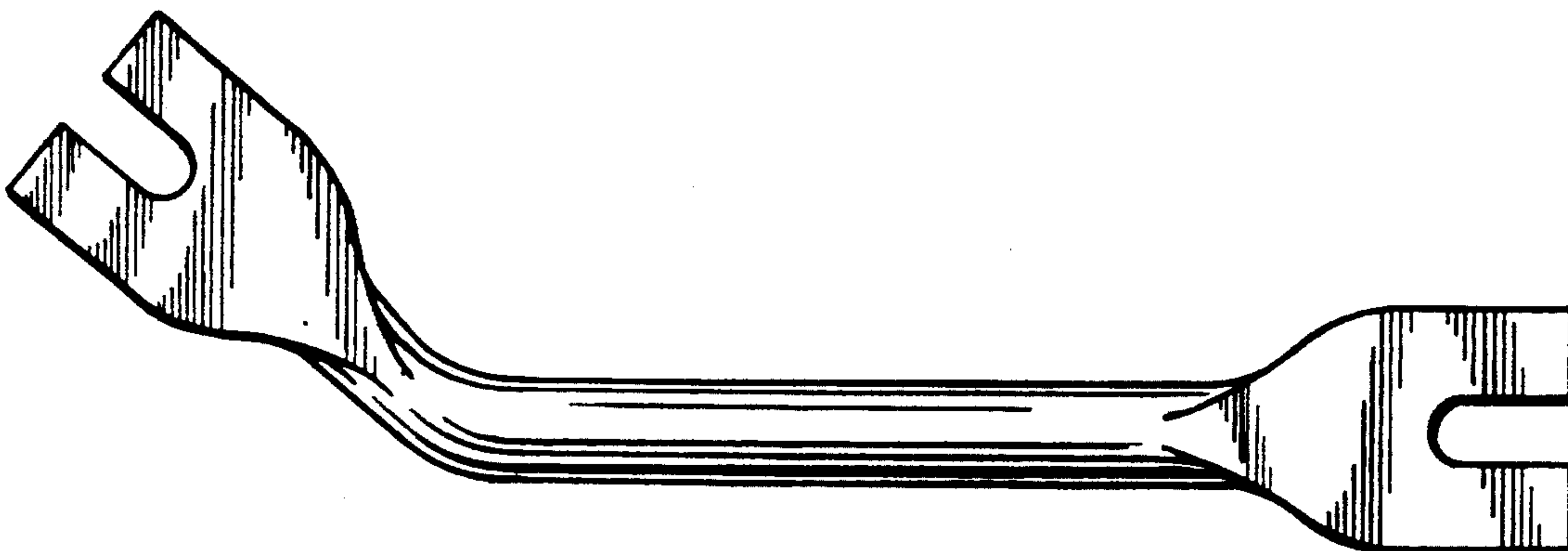


FIG.—9

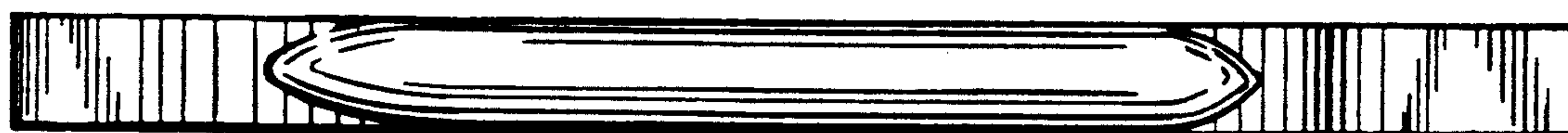


FIG.—10



FIG.—11



FIG.—12

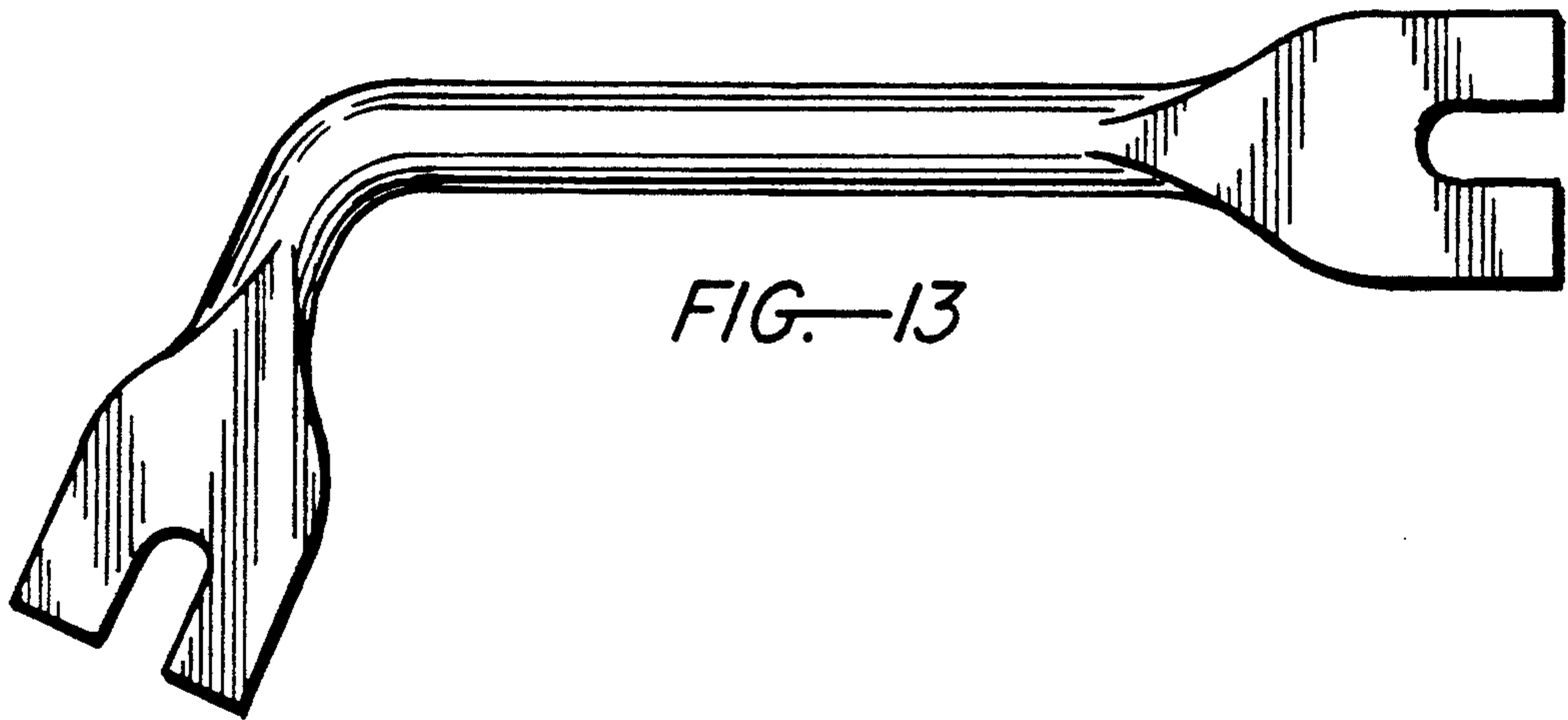


FIG.—13

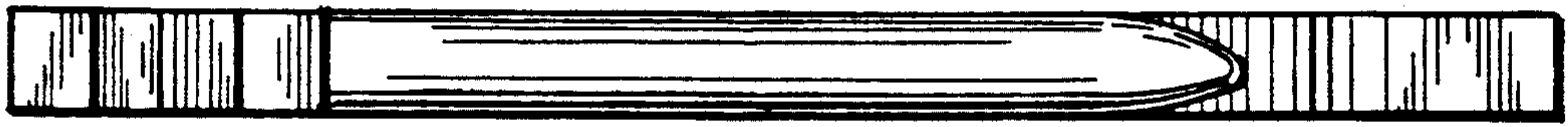


FIG.—14

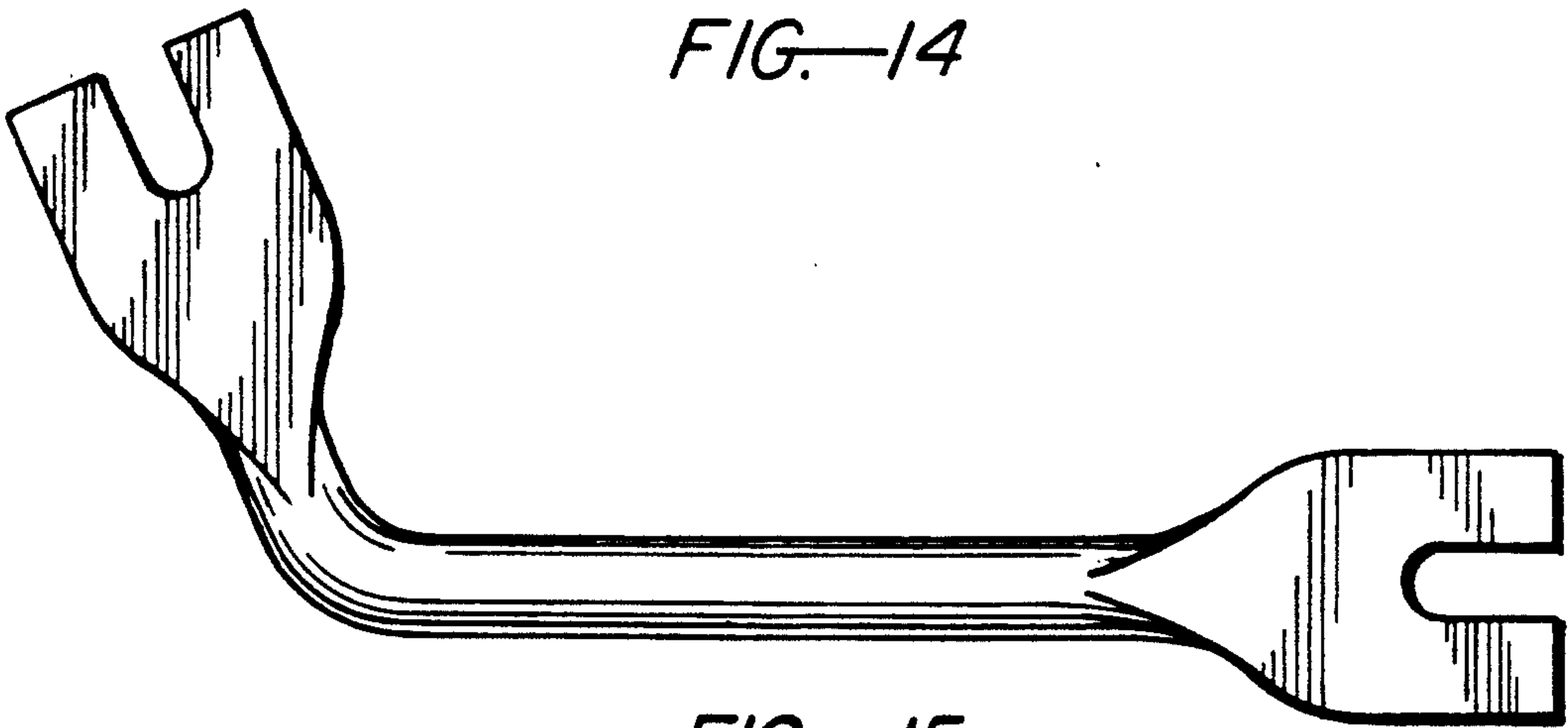


FIG.—15

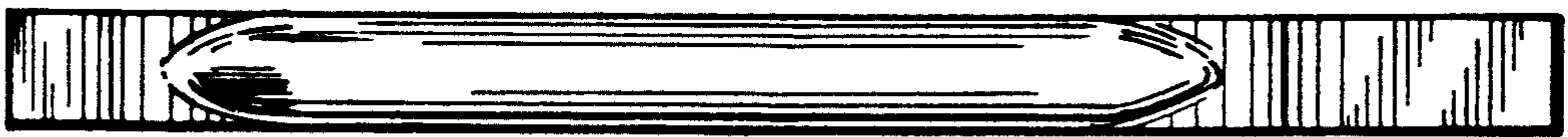


FIG.—16



FIG.—17



FIG.—18