



US00D347966S

United States Patent [19] Doggett

[11] Patent Number: **Des. 347,966**

[45] Date of Patent: **** Jun. 21, 1994**

[54] **FOOD BLENDER**

D. 309,548 7/1990 McCloskey D7/378
D. 339,715 9/1993 Barrault D7/378

[75] Inventor: **Lawrence A. Doggett**, Stevensville, Mich.

Primary Examiner—Alan P. Douglas
Assistant Examiner—Caron D. Veynar
Attorney, Agent, or Firm—Hill, Steadman & Simpson

[73] Assignee: **Whirlpool Corporation**, Benton Harbor, Mich.

[57] **CLAIM**

[**] Term: **14 Years**

The ornamental design for a food blender, as shown and described.

[21] Appl. No.: **8,905**

[22] Filed: **Jun. 1, 1993**

DESCRIPTION

[52] U.S. Cl. **D7/378; D7/386**

[58] Field of Search **D7/376-378, D7/386, 412, 413; 366/129, 130, 197, 199, 204, 205, 314; 241/282.1**

FIG. 1 is a left front perspective view of a food blender showing my new design;
FIG. 2 is a top plan view of the food blender of FIG. 1;
FIG. 3 is a front elevational view of the food blender of FIG. 1;
FIG. 4 is a right side elevational view of the food blender of FIG. 1;
FIG. 5 is a bottom plan view of the food blender of FIG. 1; and,
FIG. 6 is a rear elevational view of the food blender of FIG. 1.

[56] **References Cited**

U.S. PATENT DOCUMENTS

- D. 198,070 4/1964 Musichuk D7/386
- D. 255,759 7/1980 Ernest D7/378 X
- D. 272,120 1/1984 Sawada et al. D7/384
- D. 290,217 6/1987 Levin D7/386

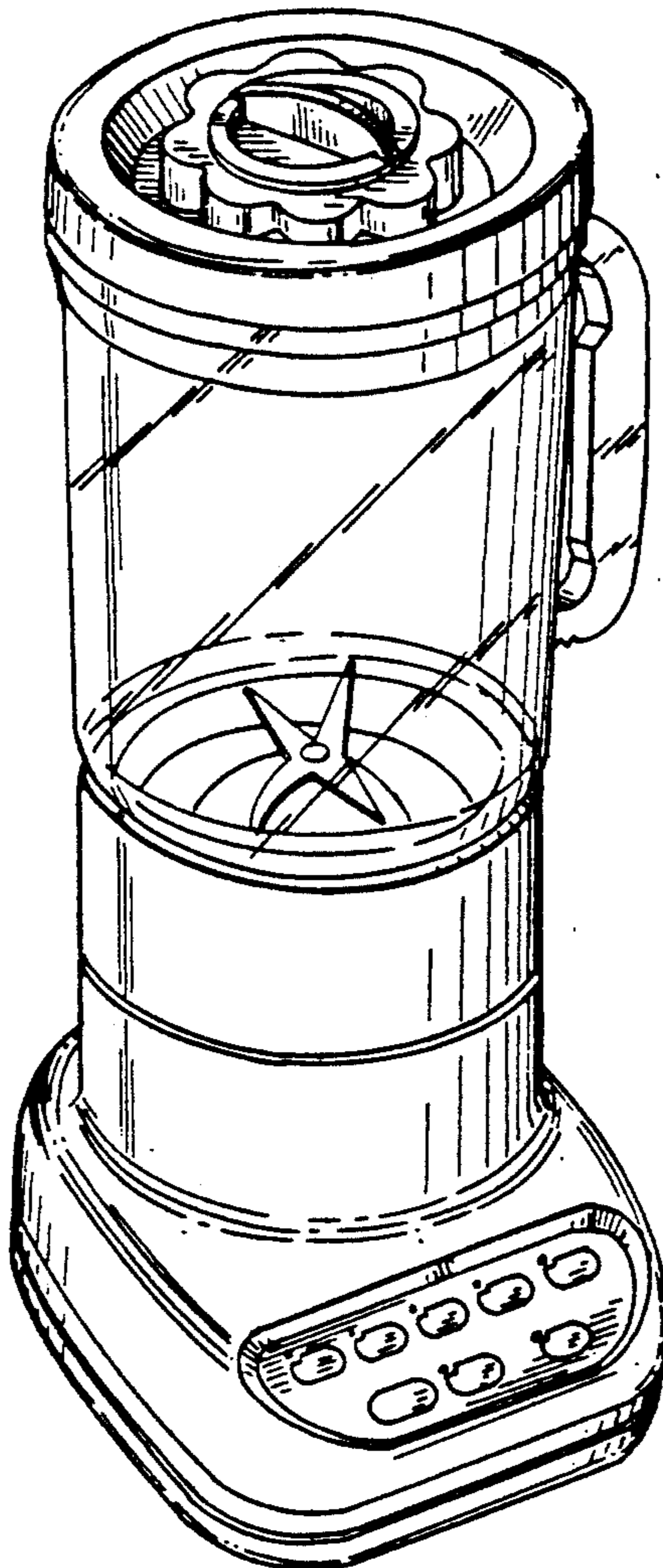


FIG. 1

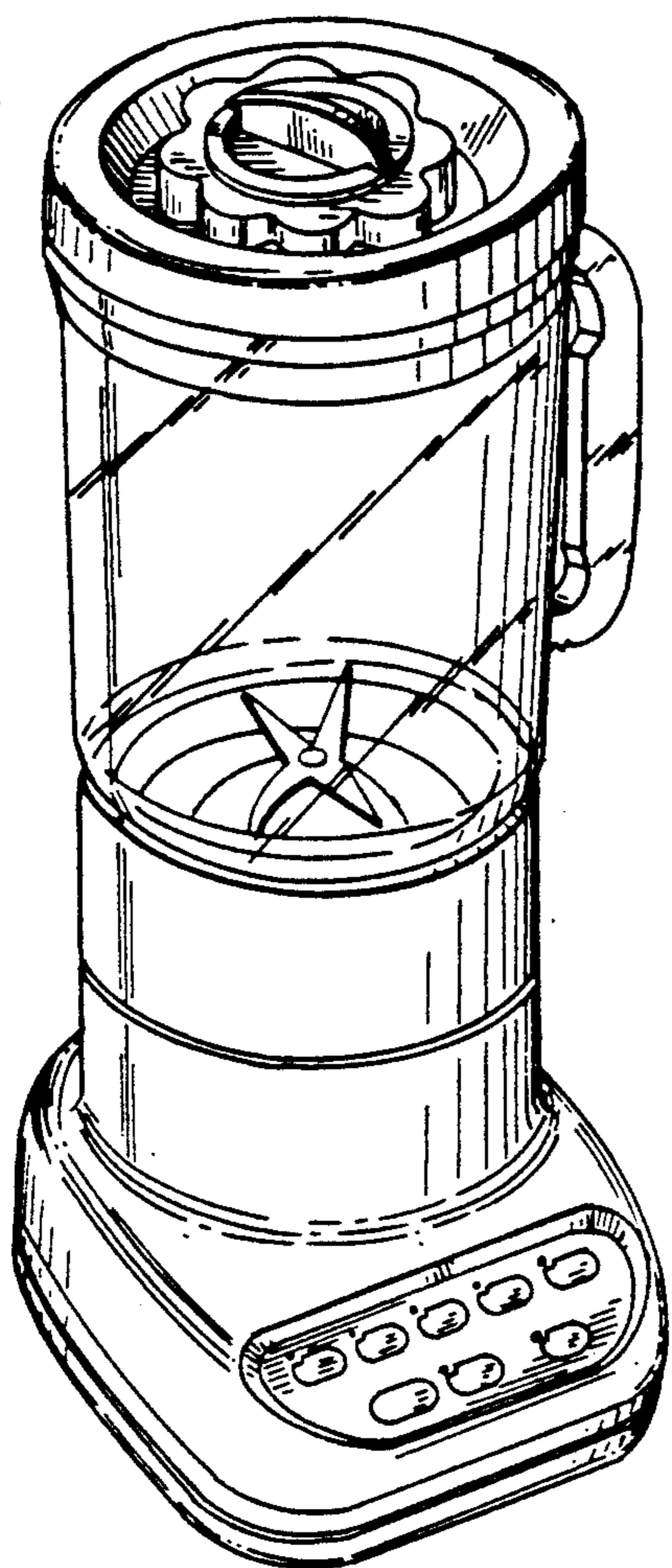


FIG. 2

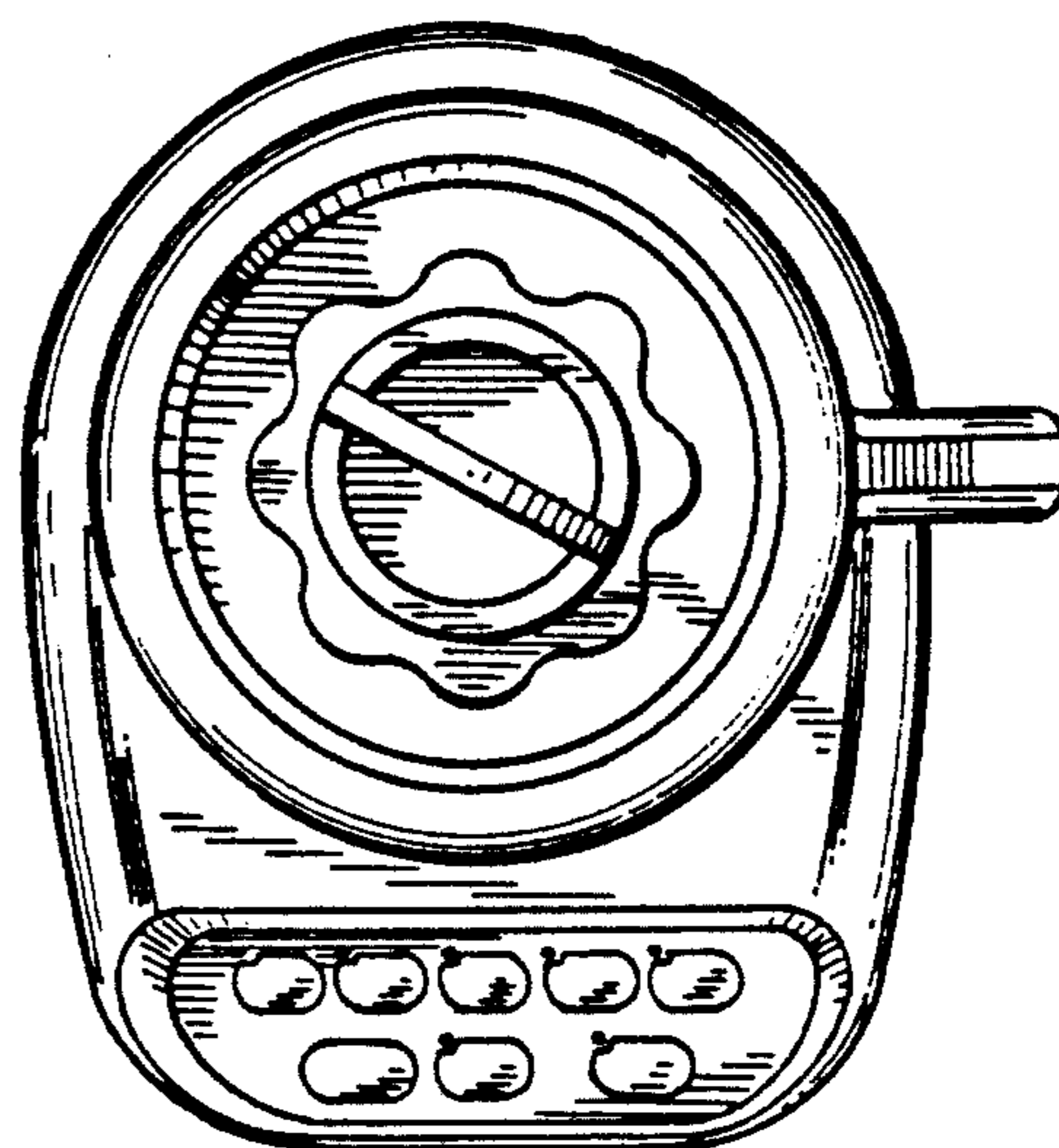


FIG. 3

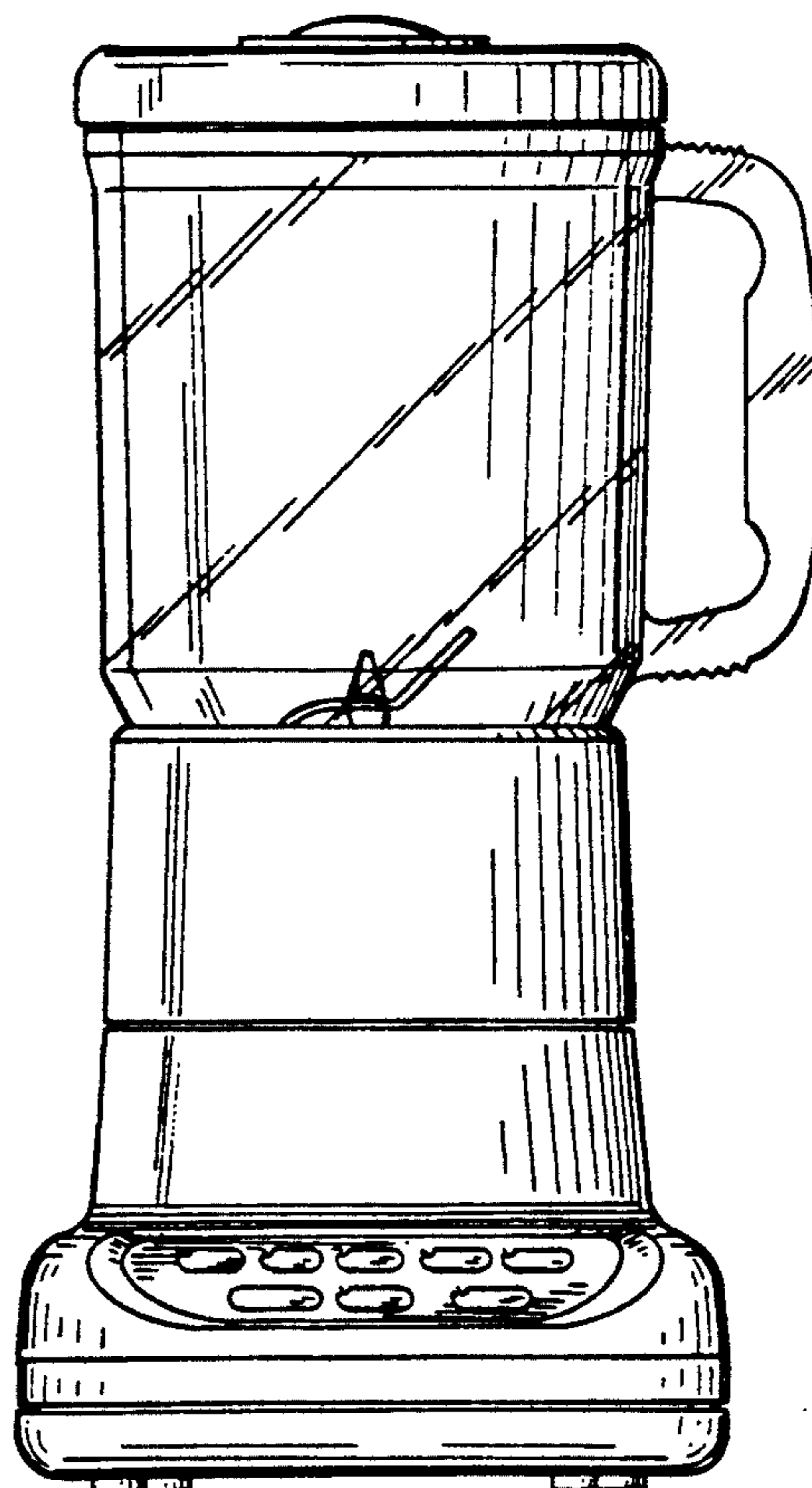


FIG. 4

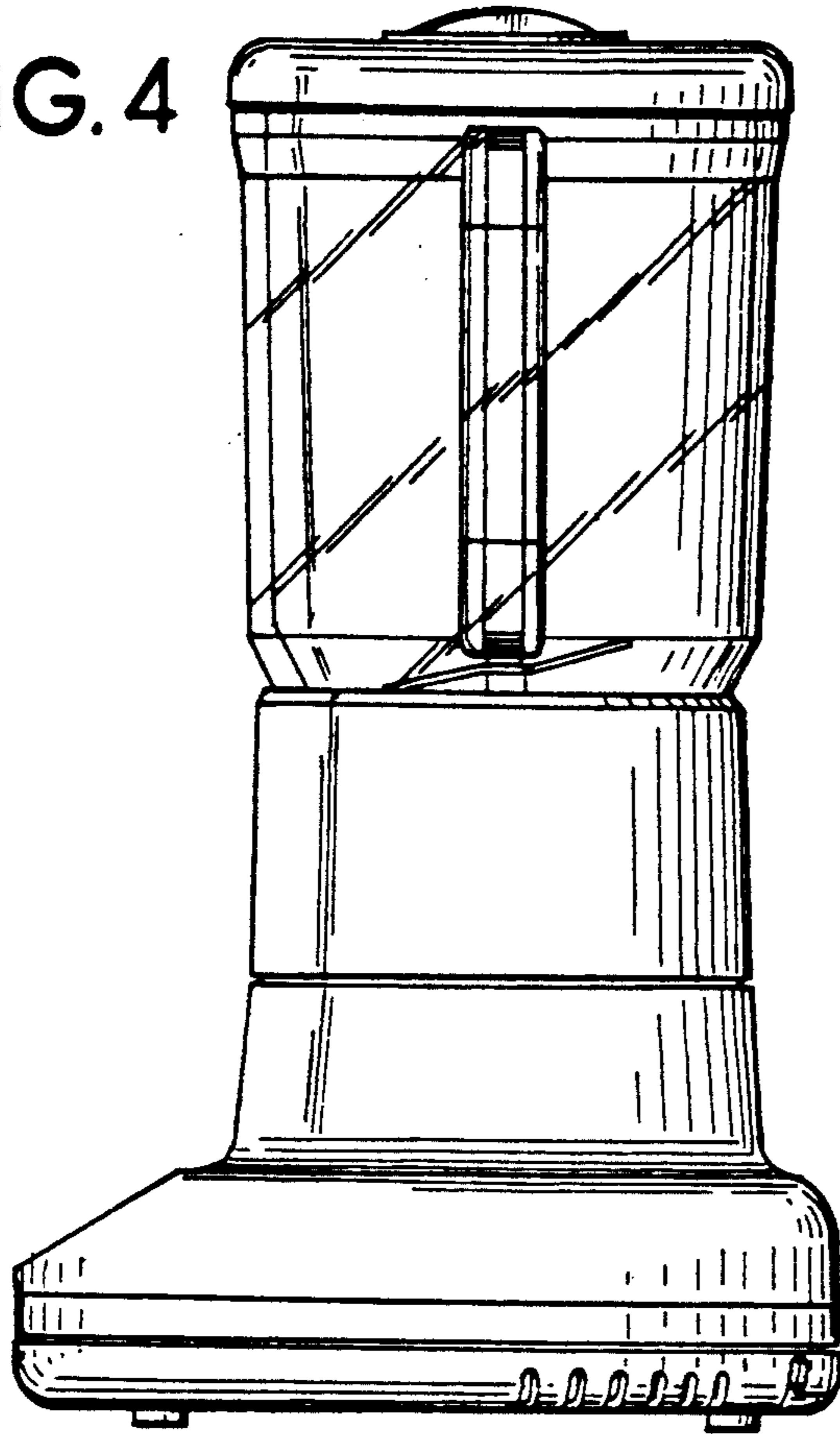


FIG. 5

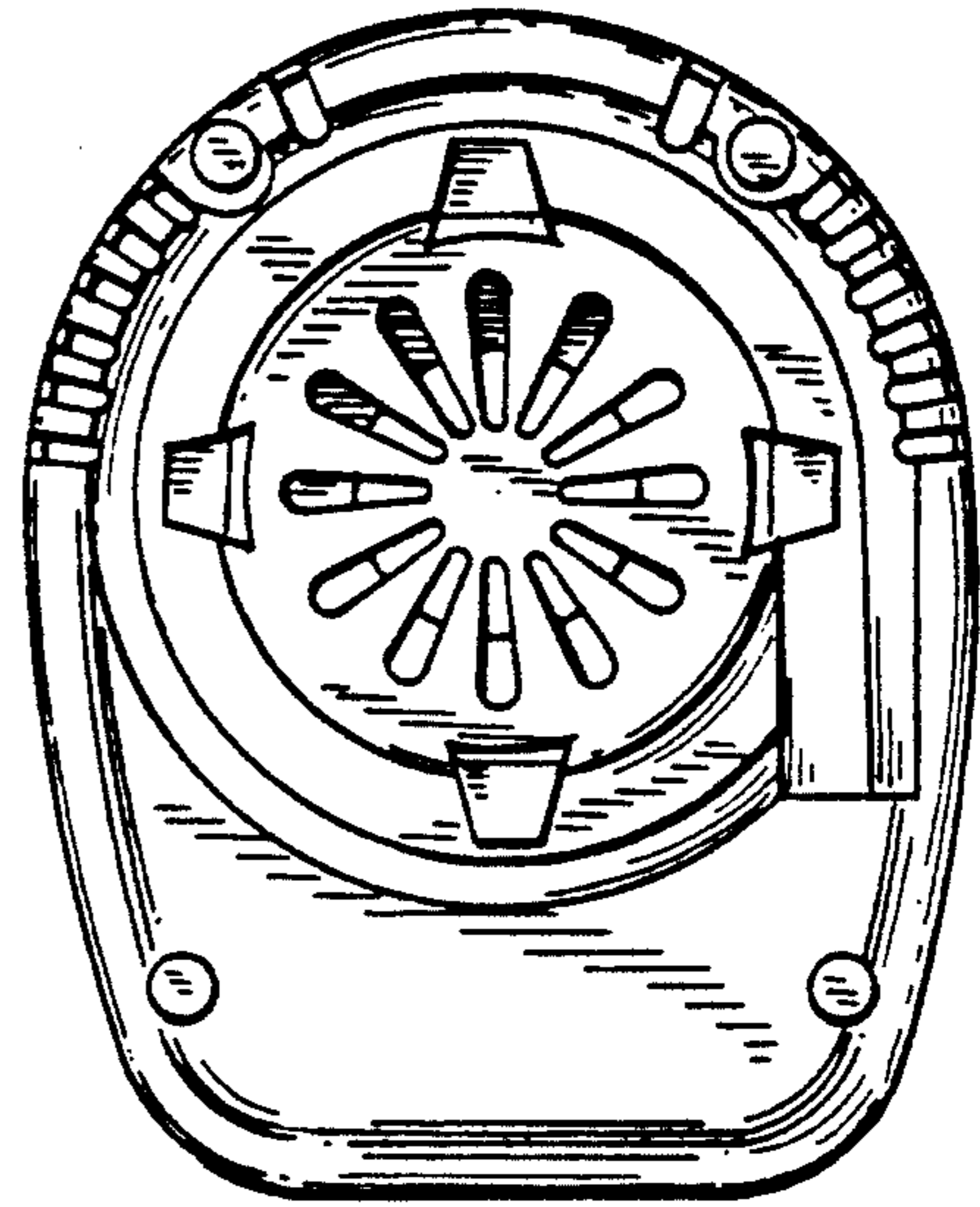


FIG. 6

