



US00D347965S

United States Patent [19]

[11] Patent Number: **Des. 347,965**

Hoffman et al.

[45] Date of Patent: **** Jun. 21, 1994**

[54] **HAND-HELD MIXER**

[75] Inventors: **Gregory K. Hoffman**, Hamden, Conn.; **Gary Van Deursen**, Saddle River, N.J.

[73] Assignee: **Black & Decker Inc.**, Newark, Del.

[**] Term: **14 Years**

[21] Appl. No.: **3,578**

[22] Filed: **Jan. 8, 1993**

[52] U.S. Cl. **D7/376; D7/379**

[58] Field of Search **D7/376, 379, 386, 412; 366/129, 130, 197, 199, 204, 205, 314**

[56] **References Cited**

U.S. PATENT DOCUMENTS

- D. 271,176 11/1983 Zimnowicz D7/376
- D. 277,923 3/1985 Kafka D7/379
- D. 288,892 3/1987 Osit D7/379 X
- D. 291,767 9/1987 Osit D7/376
- D. 303,065 8/1989 Tsuji D7/376
- D. 308,156 5/1990 Van Asten D7/379
- D. 314,489 2/1991 Van Deursen D7/376
- D. 336,591 6/1993 Leung D7/376 X

Primary Examiner—Alan P. Douglas

Assistant Examiner—Caron D. Veynar
Attorney, Agent, or Firm—Barry E. Deutsch

[57] **CLAIM**

The ornamental design for a hand-held mixer, as shown and described.

DESCRIPTION

FIG. 1 is a perspective view of a hand-held mixer showing our new design, with the head of the mixer rotated at 90° relative to the mixer's handle;

FIG. 2 is a front elevational view thereof;

FIG. 3 is a rear elevational view thereof;

FIG. 4 is a top plan view thereof;

FIG. 5 is a left side elevational view thereof, with the right side elevational view being identical;

FIG. 6 is a bottom plan view thereof;

FIG. 7 is a perspective view of the hand-held mixer illustrating our new design, with the head of the mixer being axially aligned with the handle thereof;

FIG. 8 is a front elevational view thereof;

FIG. 9 is a rear elevational view thereof;

FIG. 10 is a top plan view thereof;

FIG. 11 is a bottom plan view thereof; and,

FIG. 12 is a left side elevational view thereof, the right side elevational view being identical.

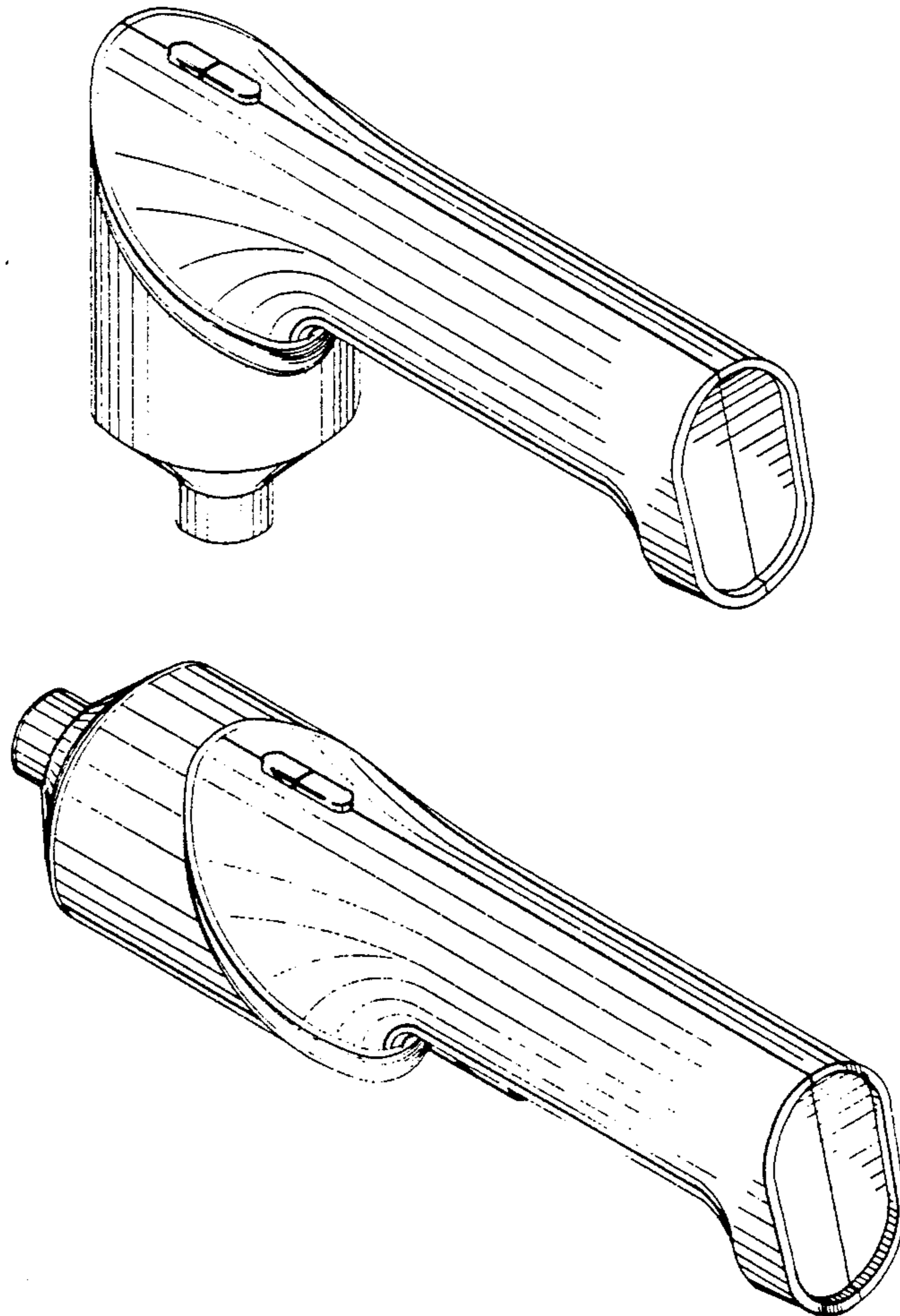


FIG. 1

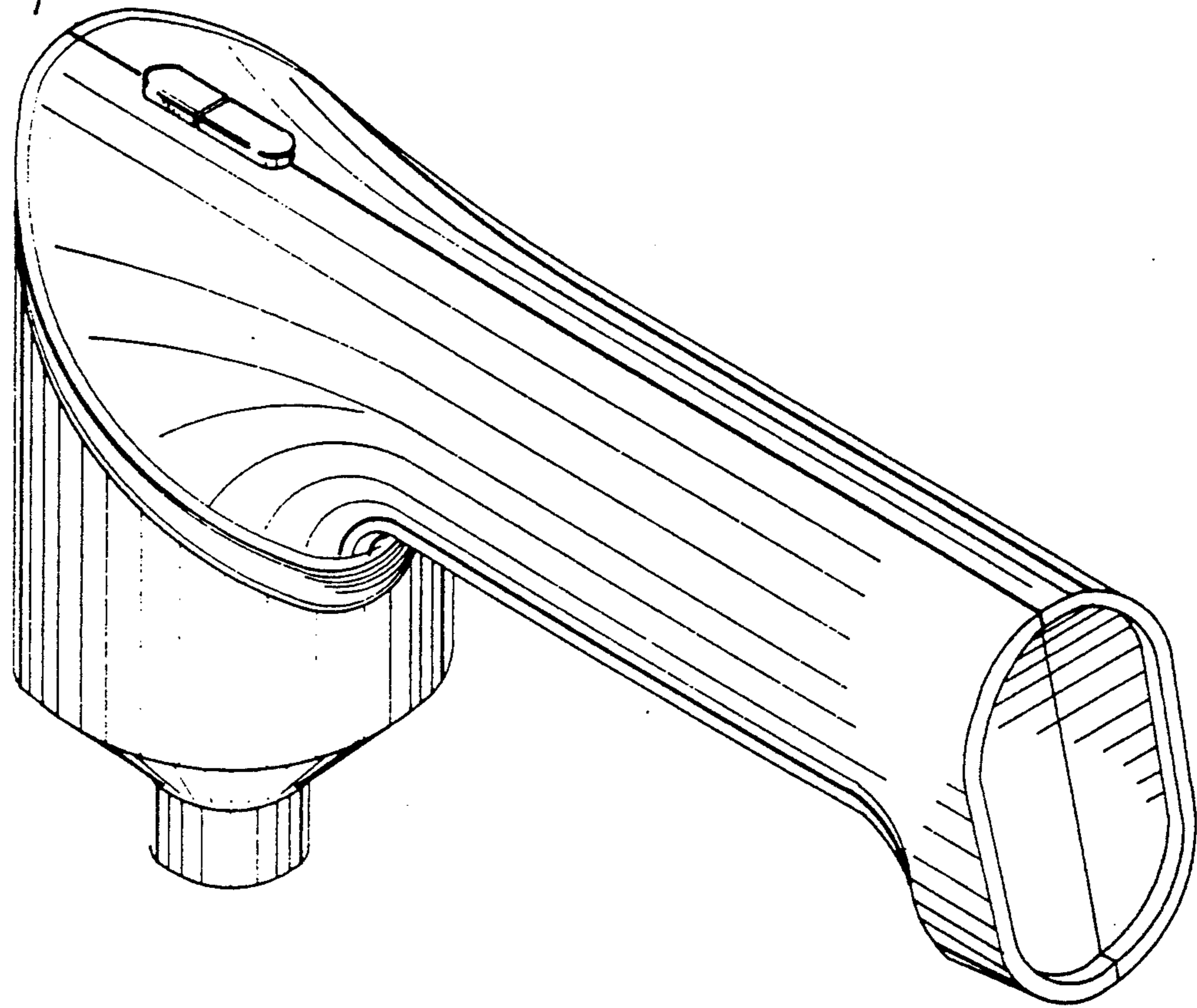


FIG. 2

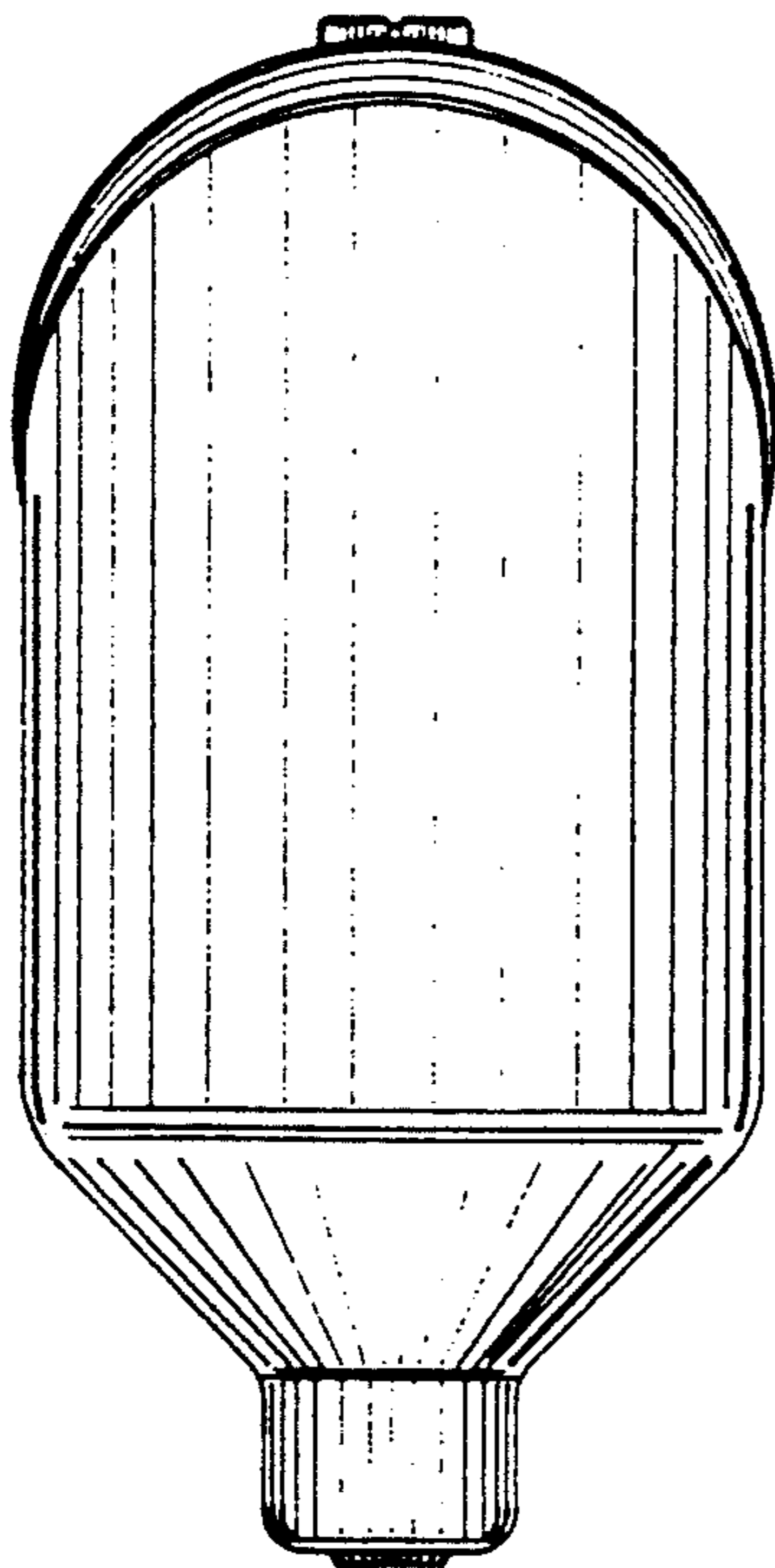


FIG. 3

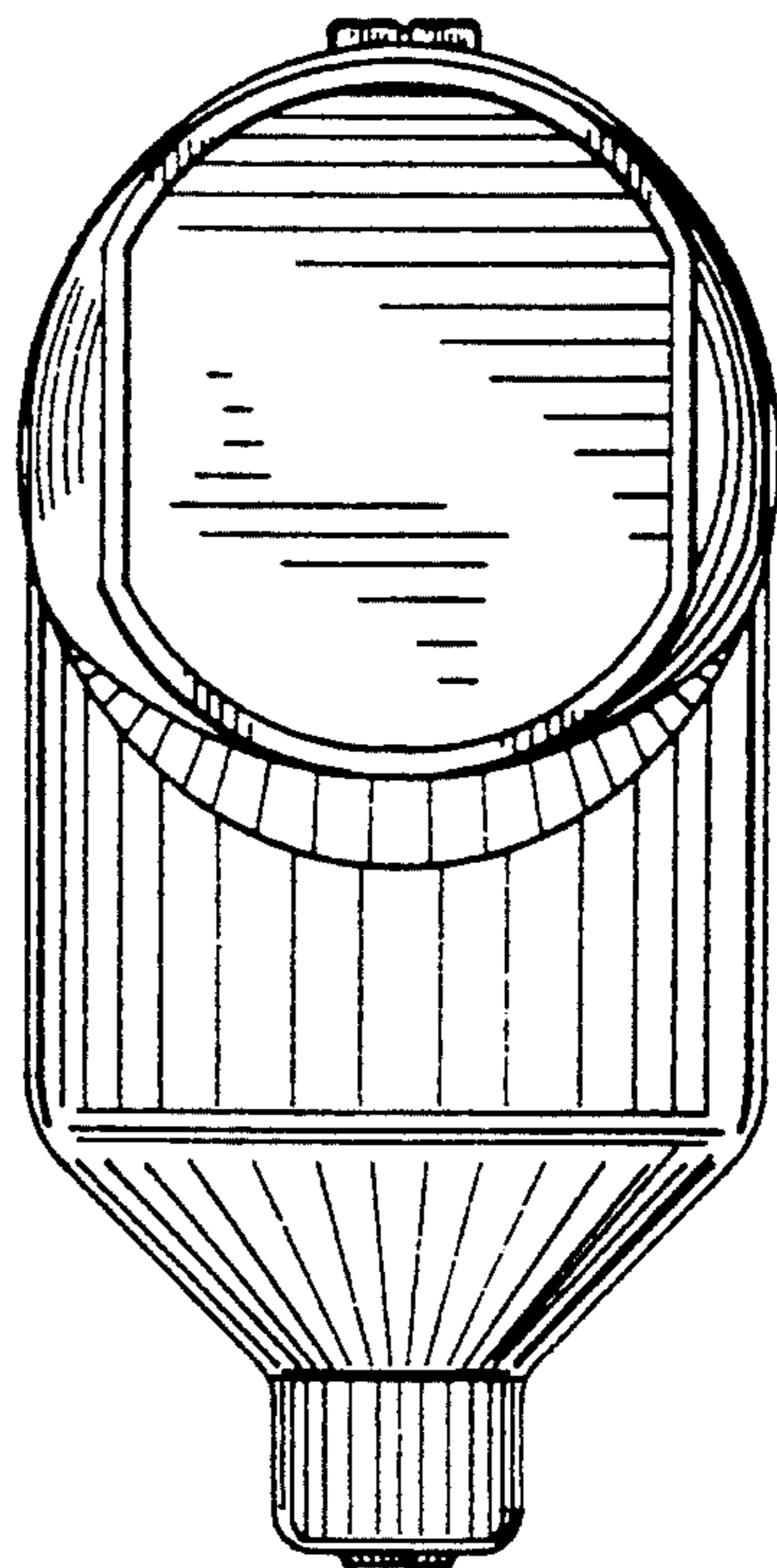


FIG. 4

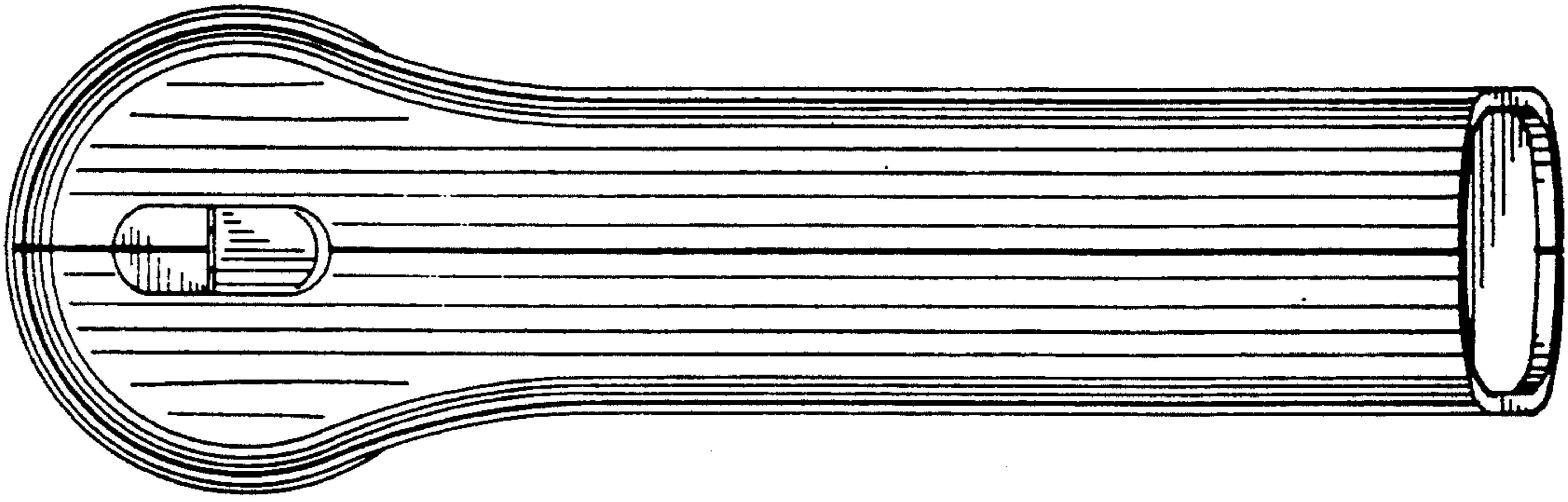


FIG. 5

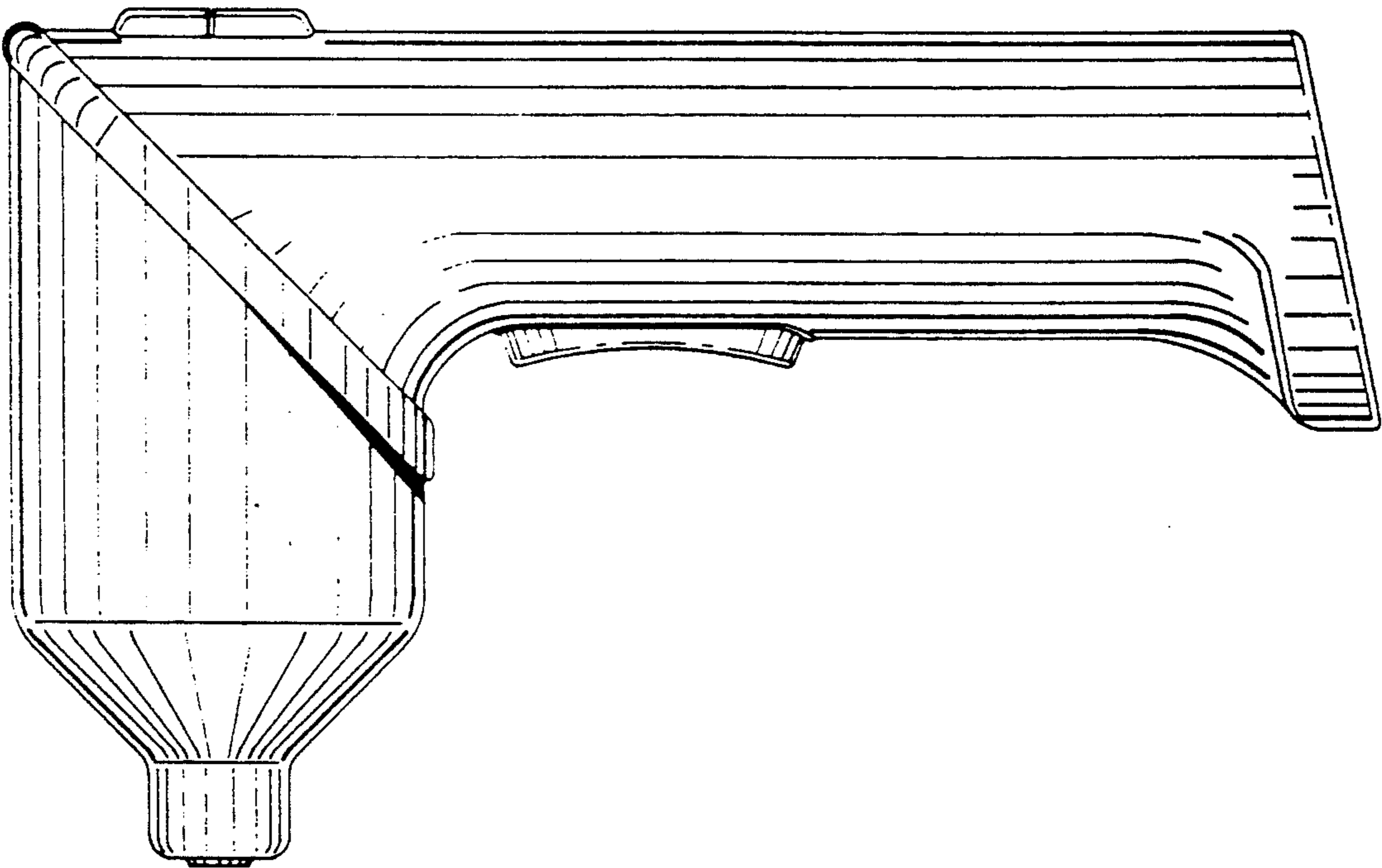
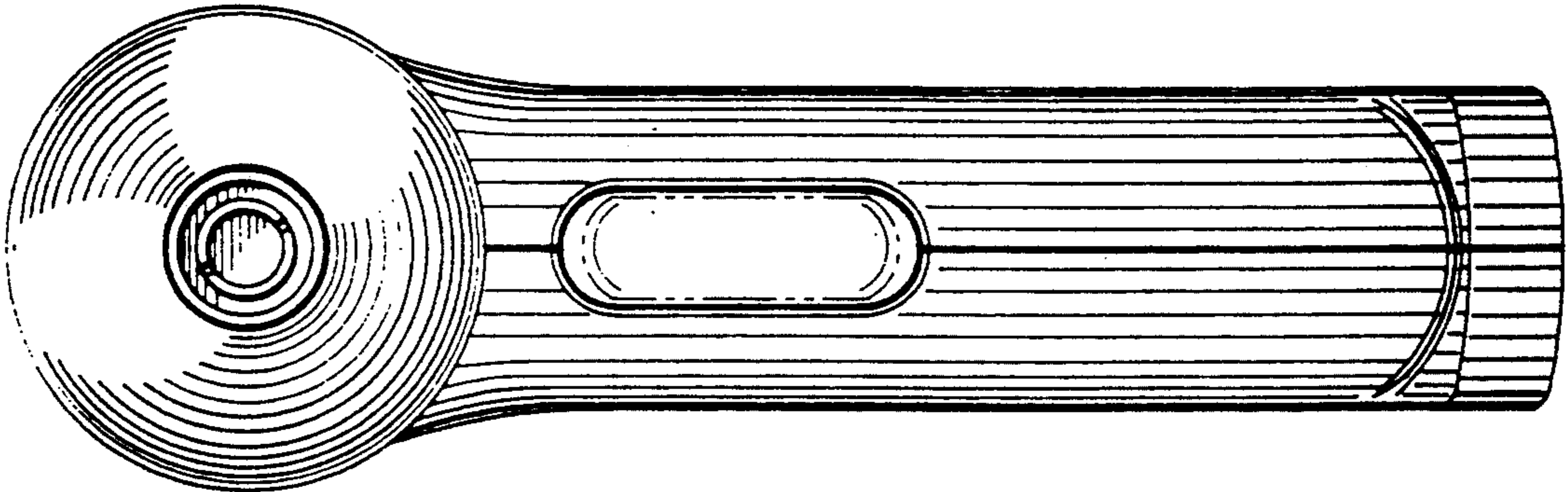


FIG. 6



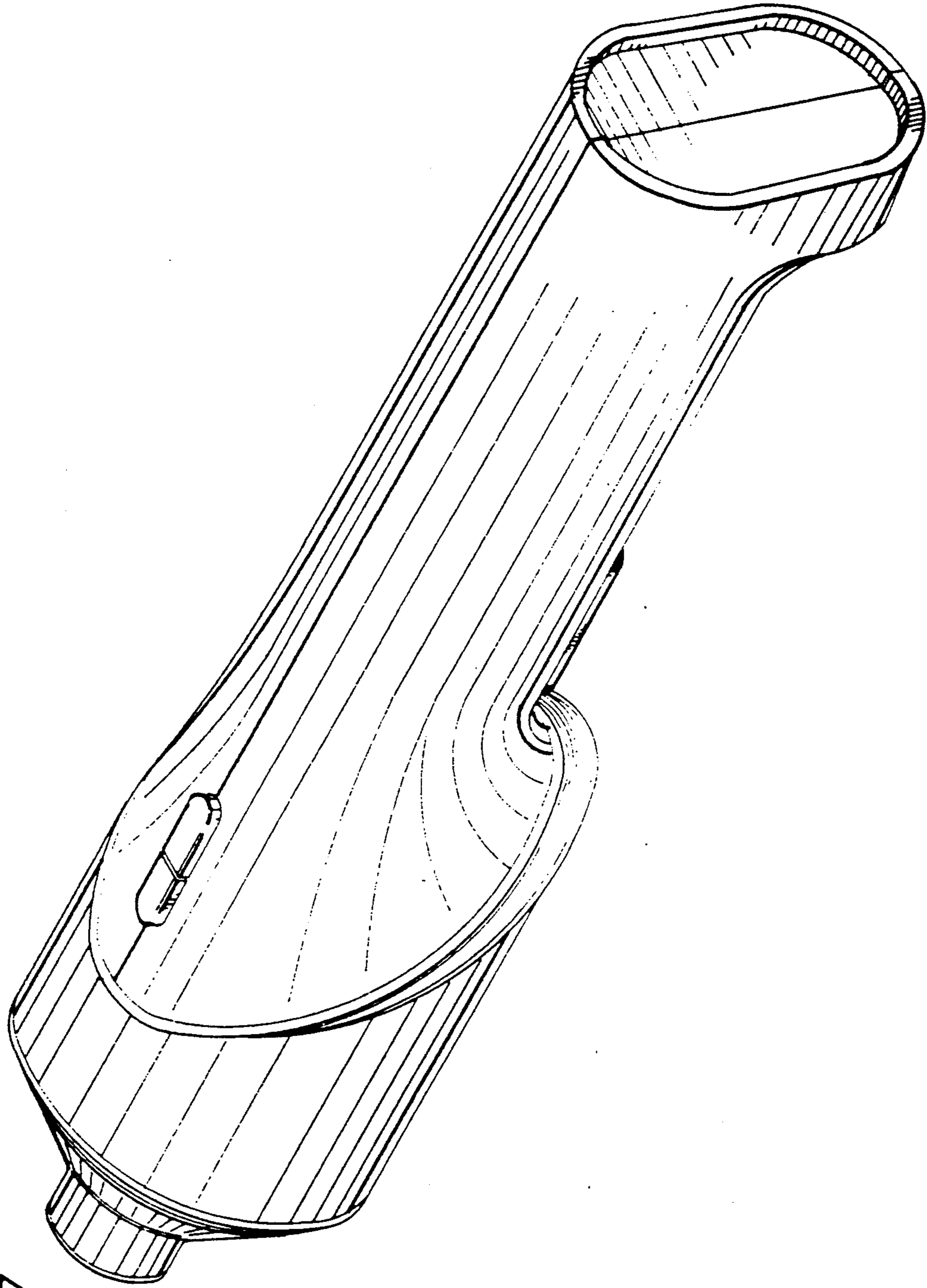


FIG. 7

FIG. 8

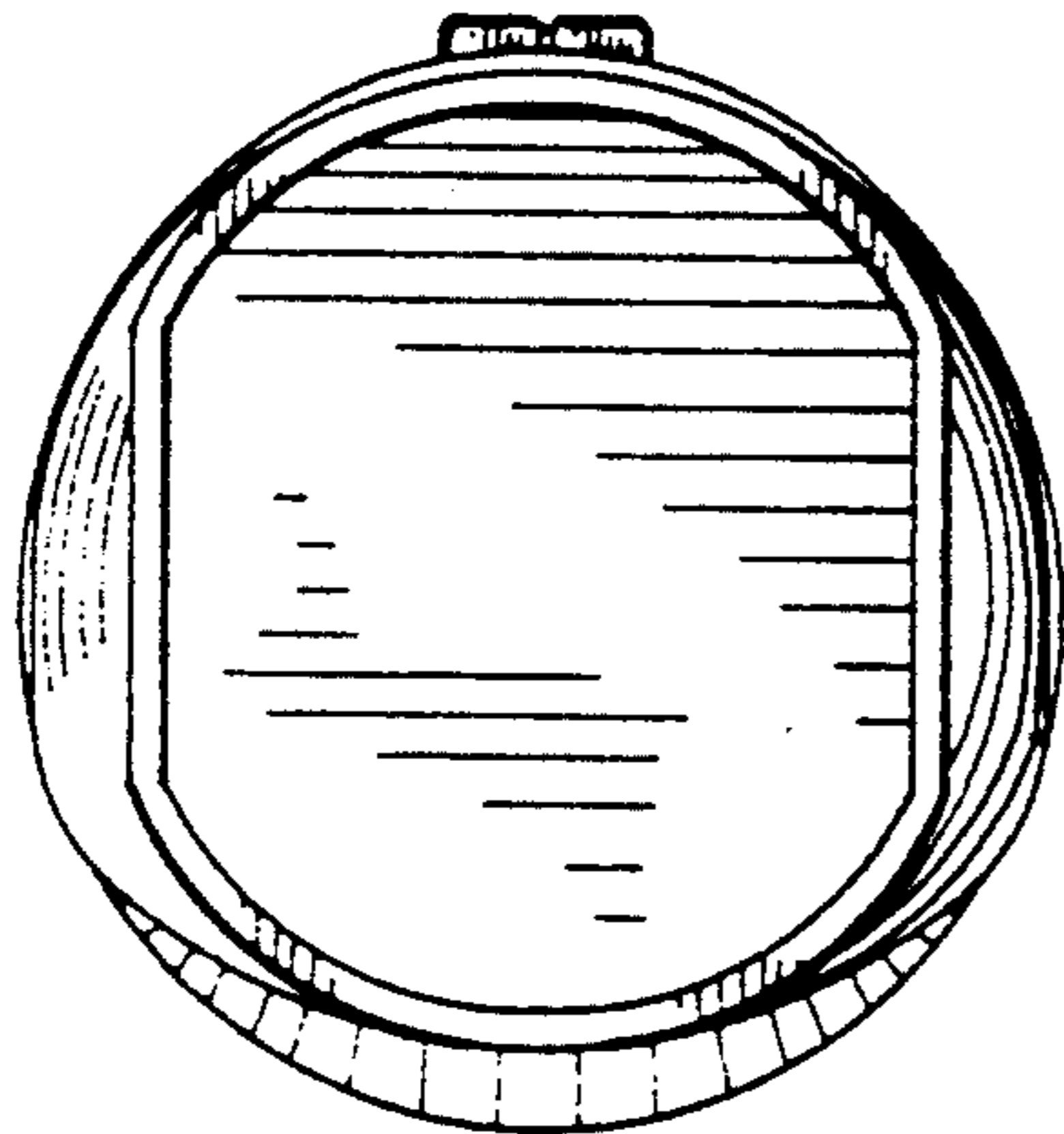


FIG. 9

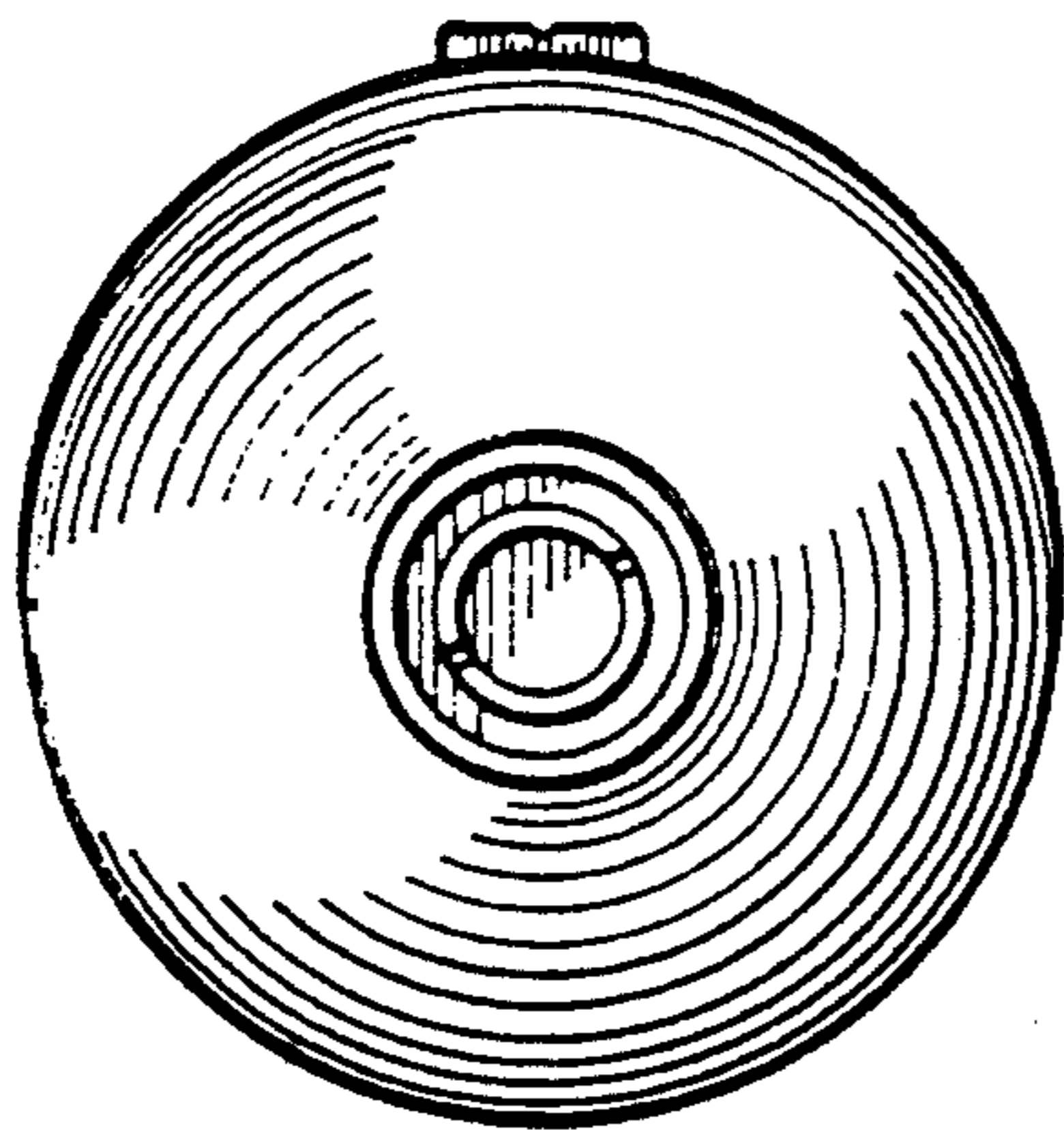


FIG. 10

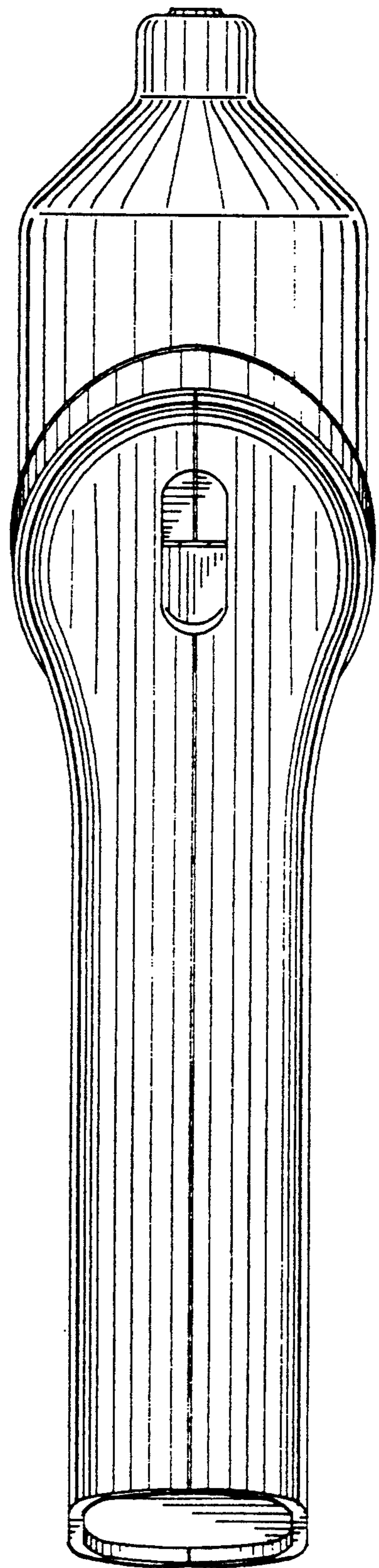


FIG. 11

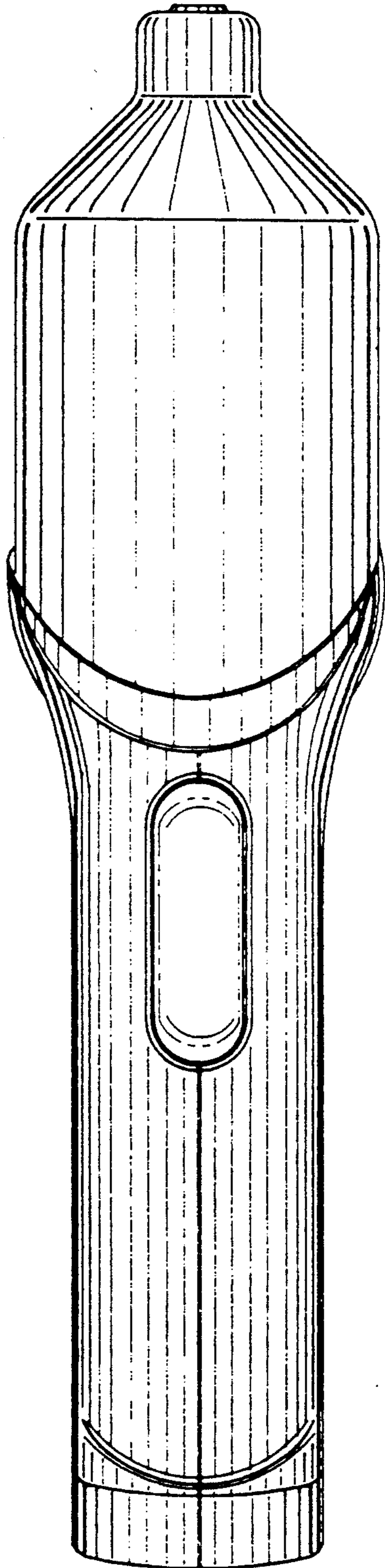


FIG. 12

