



US00D347964S

# United States Patent [19]

[11] Patent Number: **Des. 347,964**

**Davis**

[45] Date of Patent: **\*\* Jun. 21, 1994**

[54] **COOKING CONTAINER WITH STRAINER LID**

[75] Inventor: **John E. Davis**, Brighton, Australia

[73] Assignee: **Trend Worldwide Pty. Ltd.**, Victoria, Australia

[\*\*] Term: **14 Years**

[21] Appl. No.: **875,339**

[22] Filed: **Apr. 29, 1992**

[30] **Foreign Application Priority Data**

Oct. 29, 1991 [AU] Australia ..... 3270/91  
 [52] U.S. Cl. .... **D7/361; D7/354**  
 [58] Field of Search ..... D7/323, 354, 361, 691,  
 D7/692, 356; 220/405, 574, 912; 294/55

[56] **References Cited**

**U.S. PATENT DOCUMENTS**

D. 90,610 8/1933 Willman ..... D7/361  
 D. 256,312 8/1980 Ernest et al. .... D7/361  
 D. 321,304 11/1991 Underwood et al. .... D7/691  
 D. 730,070 7/1927 Dachman ..... D7/361  
 2,033,285 3/1936 Harvey ..... 220/405 X  
 5,137,316 8/1992 Foes ..... 294/55

**FOREIGN PATENT DOCUMENTS**

96538 7/1986 Australia .

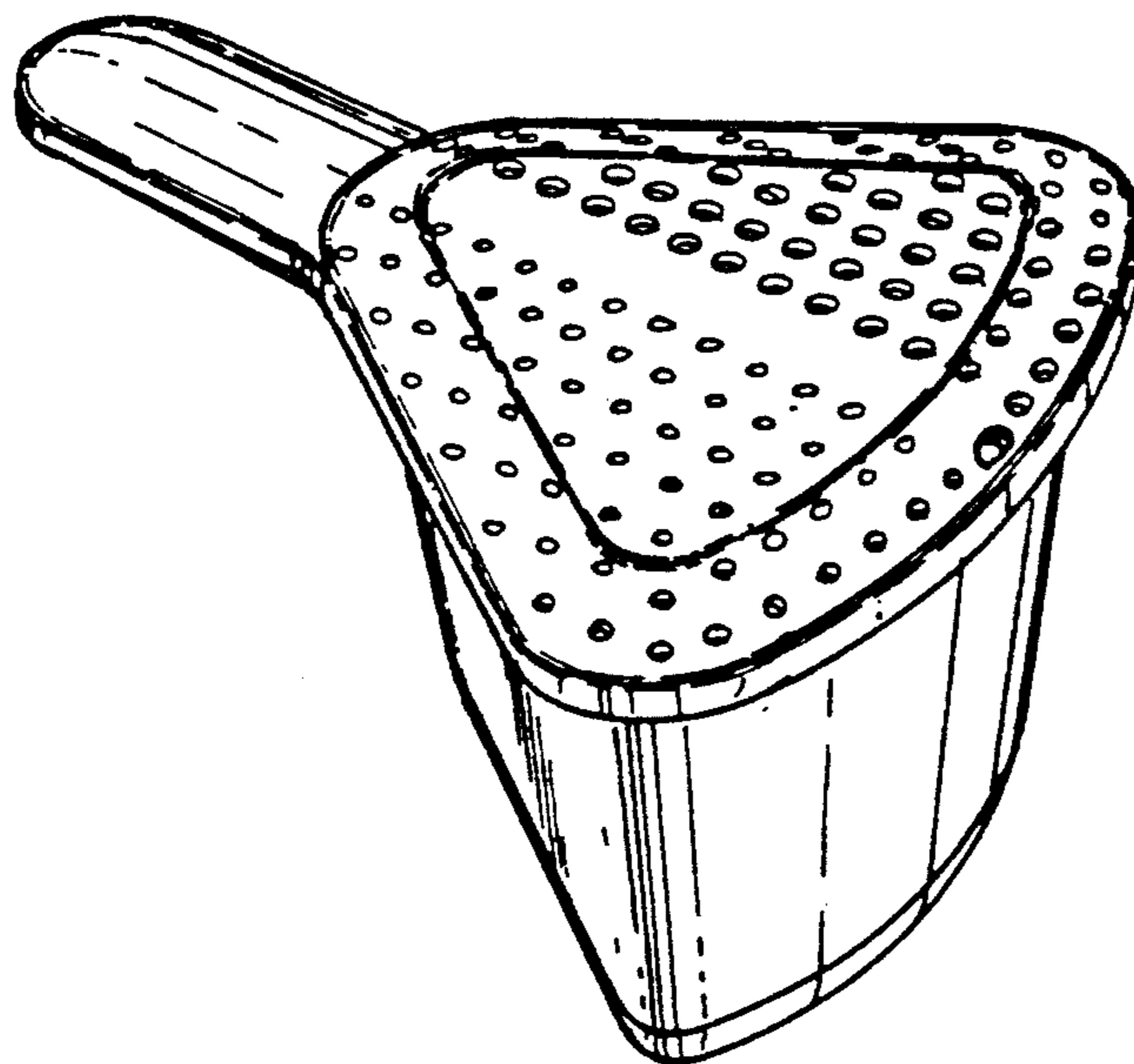
*Primary Examiner*—Alan P. Douglas  
*Assistant Examiner*—Caron D. Veynar  
*Attorney, Agent, or Firm*—Birch, Stewart, Kolasch & Birch

[57] **CLAIM**

The ornamental design for a cooking container with strainer lid, as shown and described.

**DESCRIPTION**

FIG. 1 is a top plan view of a cooking container with strainer lid showing my new design;  
 FIG. 2 is a bottom plan view thereof;  
 FIG. 3 is a left side elevational view thereof, the right side elevational view being a mirror image thereof;  
 FIG. 4 is a front elevational view thereof;  
 FIG. 5 is a rear elevational view thereof;  
 FIG. 6 is a bottom plan view of the strainer lid shown separately for ease of illustration;  
 FIG. 7 is a top plan view of the cooking container shown separately for ease of illustration;  
 FIG. 8 is a perspective view of the cooking utensil with lid; and,  
 FIG. 9 is an exploded perspective view thereof.



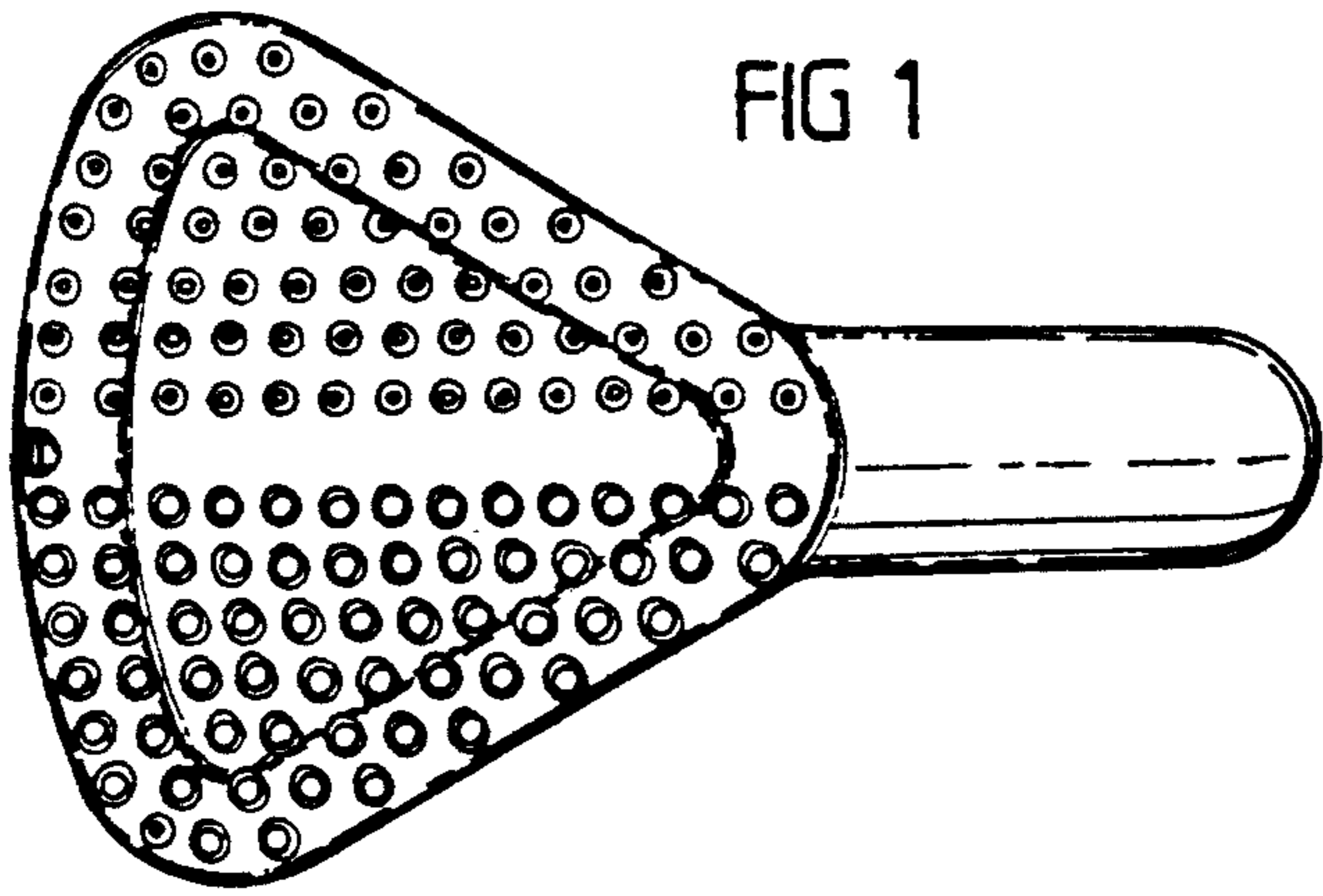


FIG 1

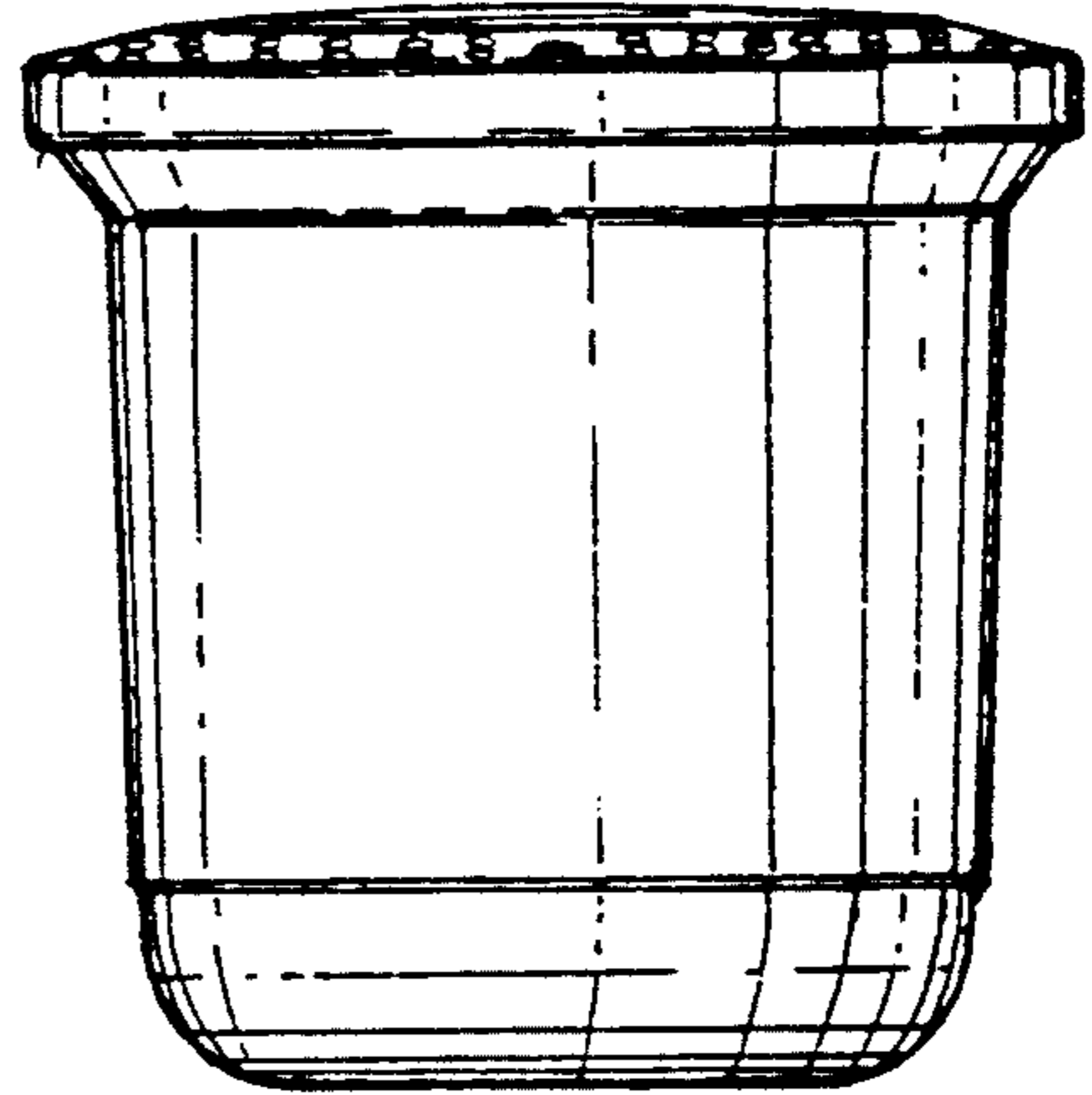


FIG 4

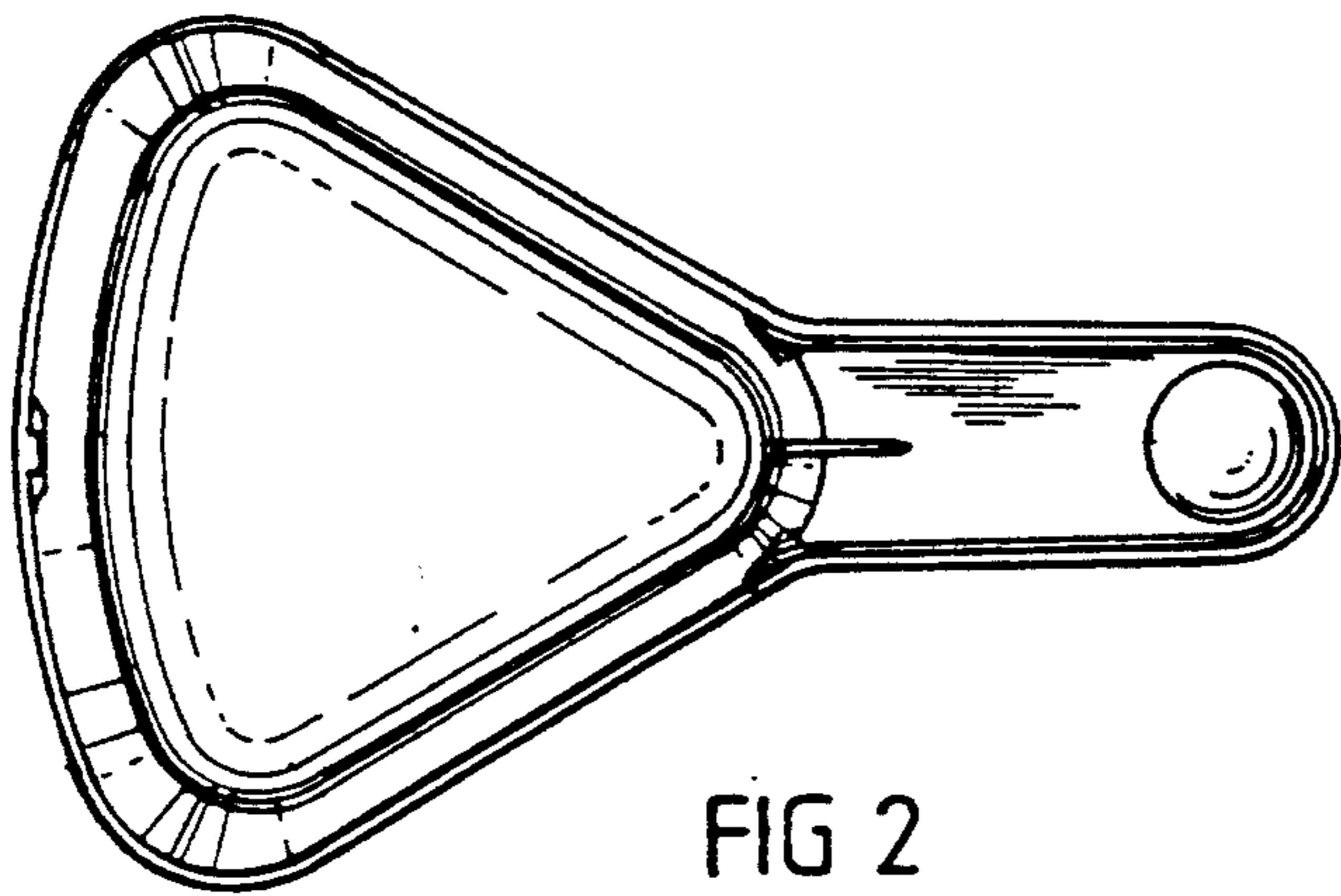


FIG 2

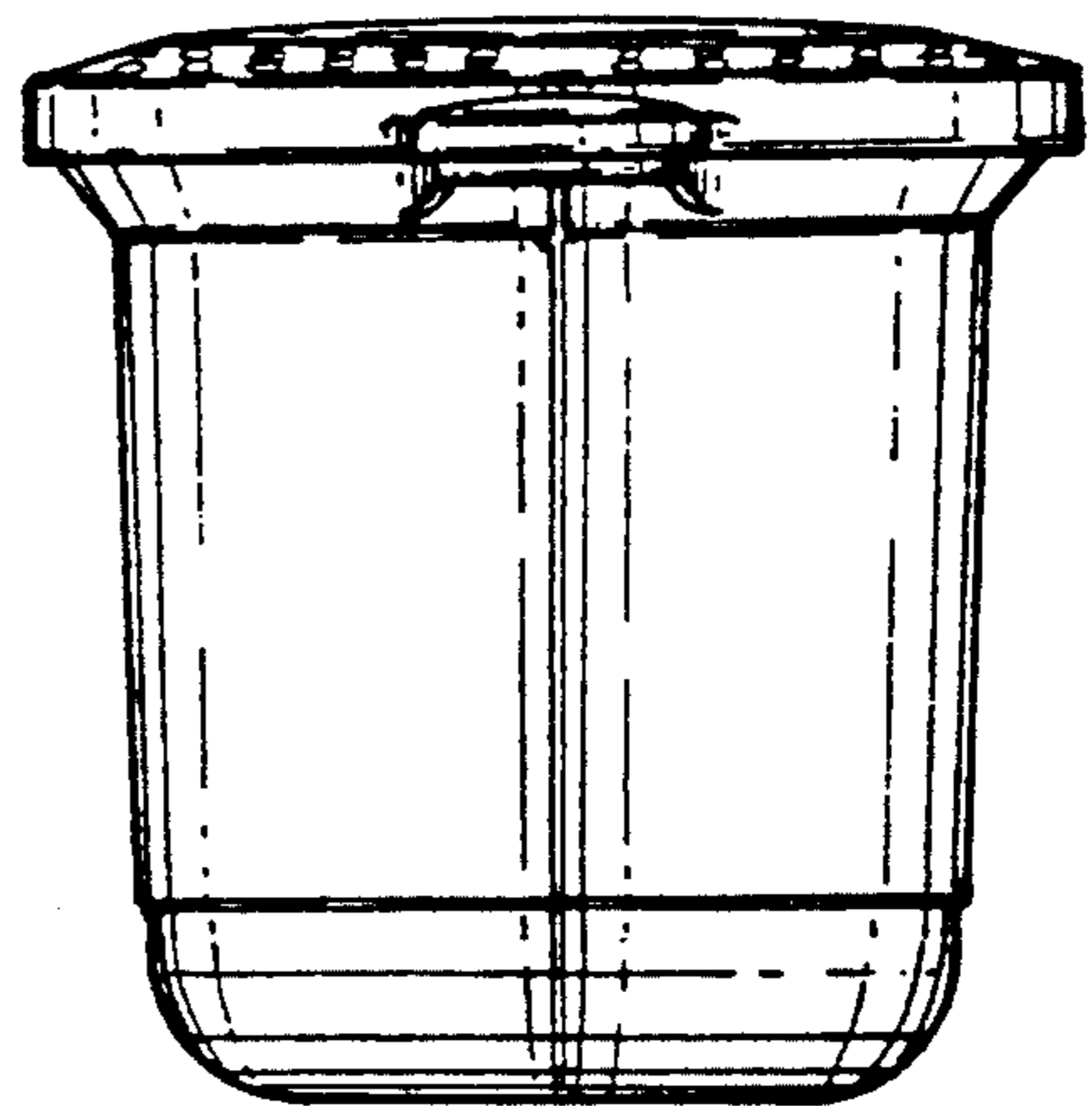


FIG 5

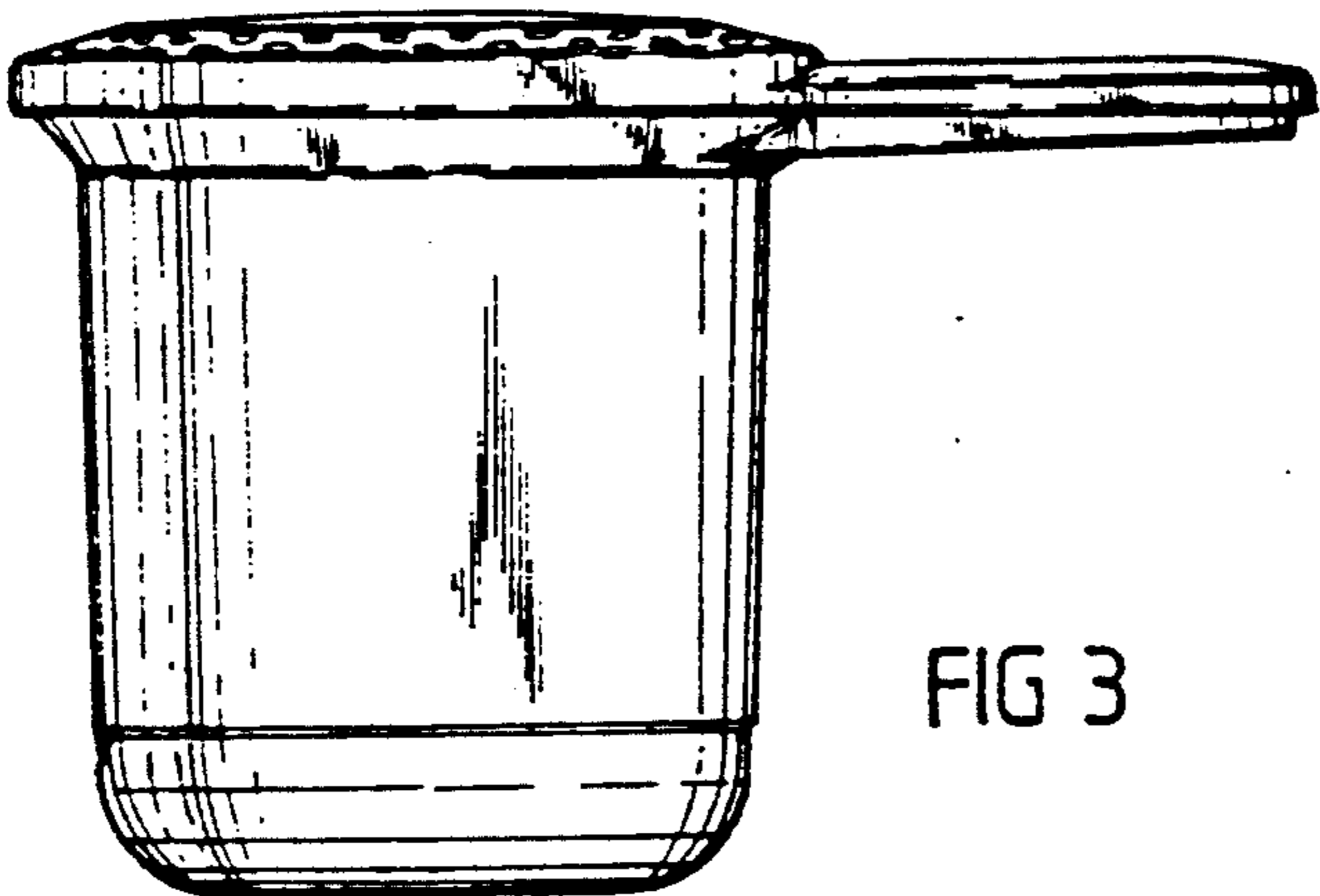


FIG 3

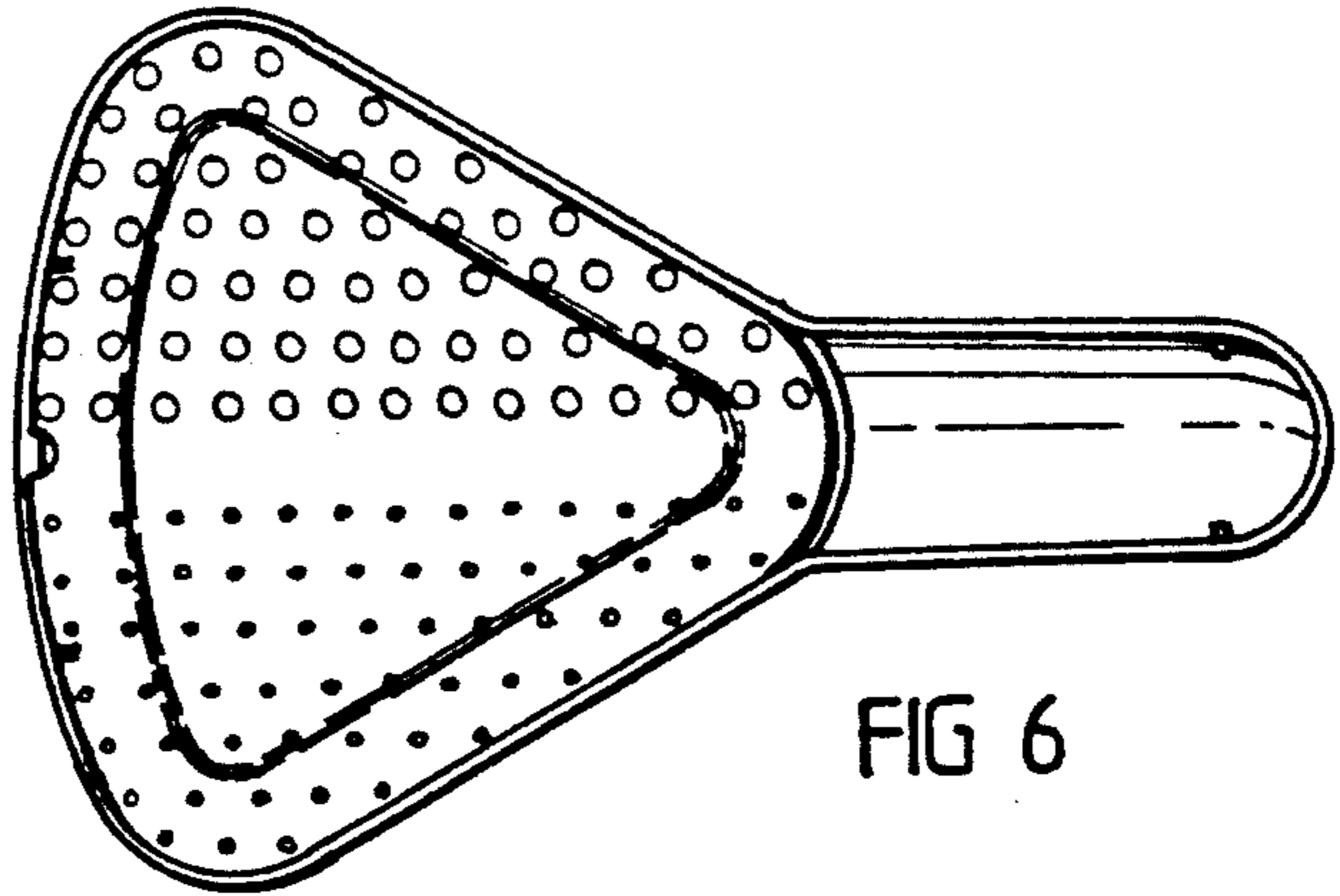


FIG 6

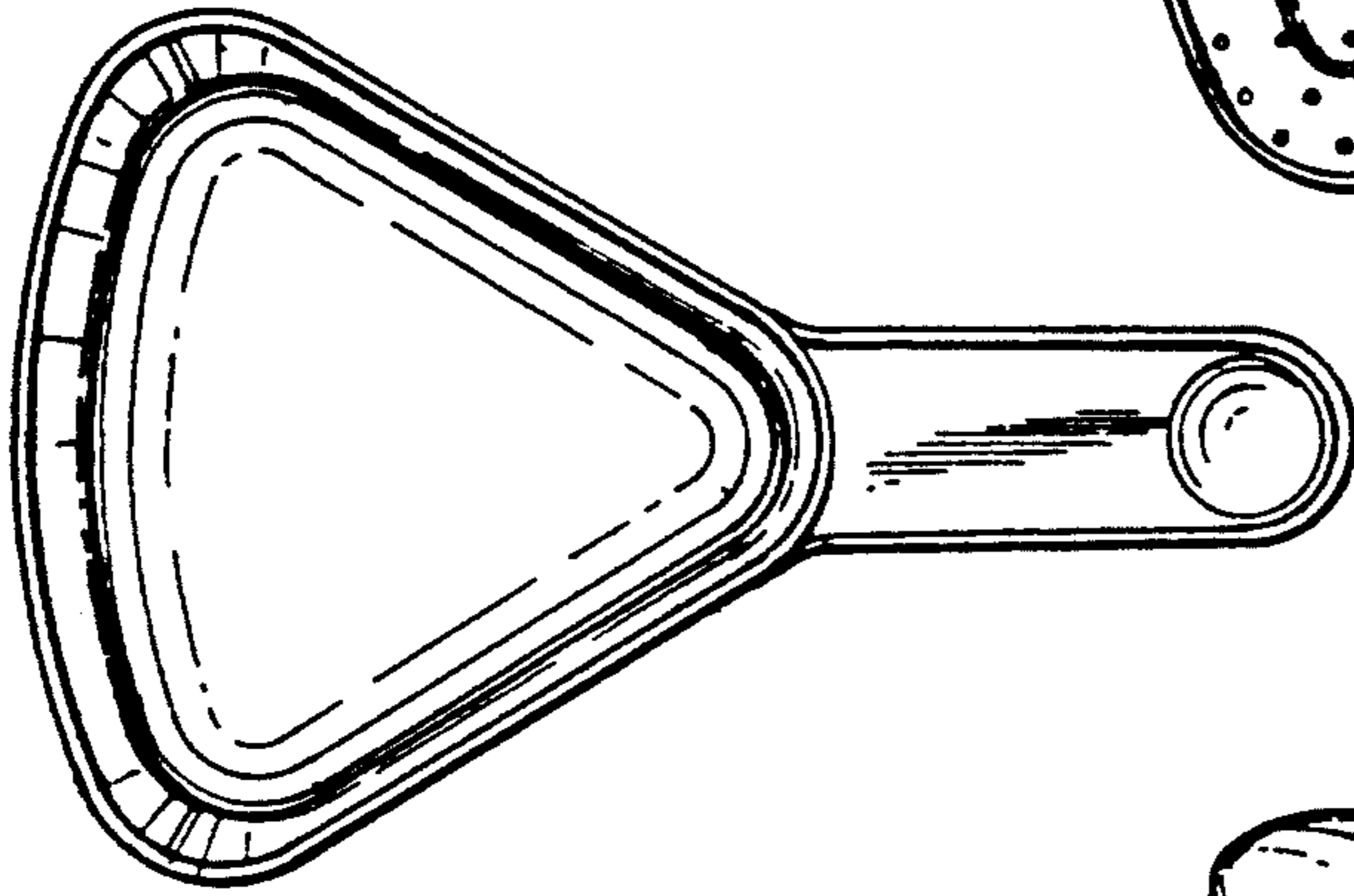


FIG 7

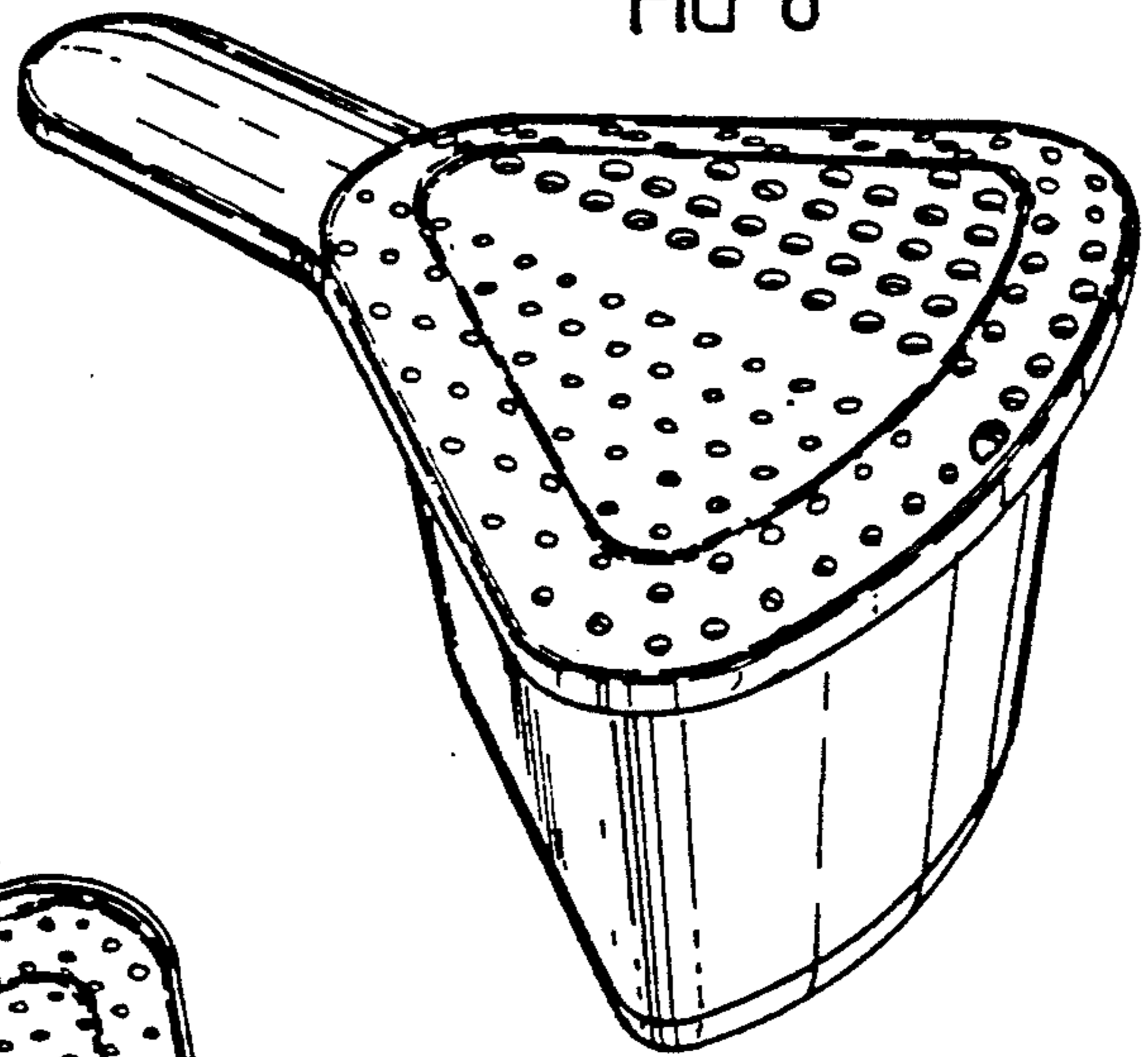


FIG 8

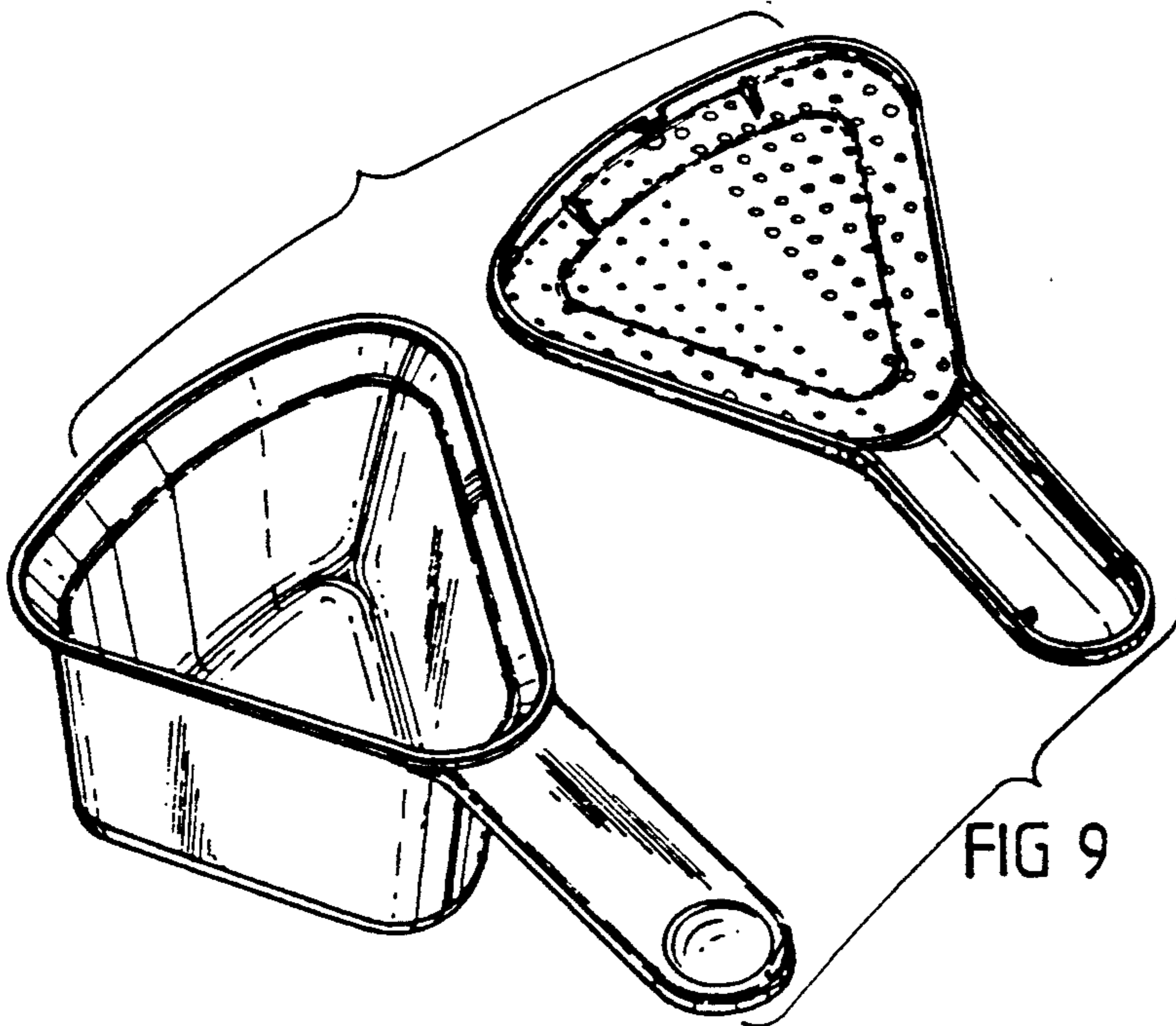


FIG 9