



US00D347959S

United States Patent [19]

[11] Patent Number: **Des. 347,959**

Sankey

[45] Date of Patent: **** Jun. 21, 1994**

- [54] **COMPACT DISC STORAGE CONTAINER**
- [75] Inventor: **James K. Sankey, Hudson, Ohio**
- [73] Assignee: **Alpha Enterprises, Inc., North Canton, Ohio**
- [**] Term: **14 Years**
- [21] Appl. No.: **924,653**
- [22] Filed: **Aug. 5, 1992**
- [52] U.S. Cl. **D6/632; D6/407**
- [58] Field of Search **D3/30.1, 35, 74; D6/407; D9/424; 206/387, 425; D19/75, 76**

D 330,975 11/1992 Stafford D3/35
 4,629,066 12/1986 Howard 206/425

Primary Examiner—A. Hugo Word
Assistant Examiner—Celia A. Murphy
Attorney, Agent, or Firm—Michael Sand Co.

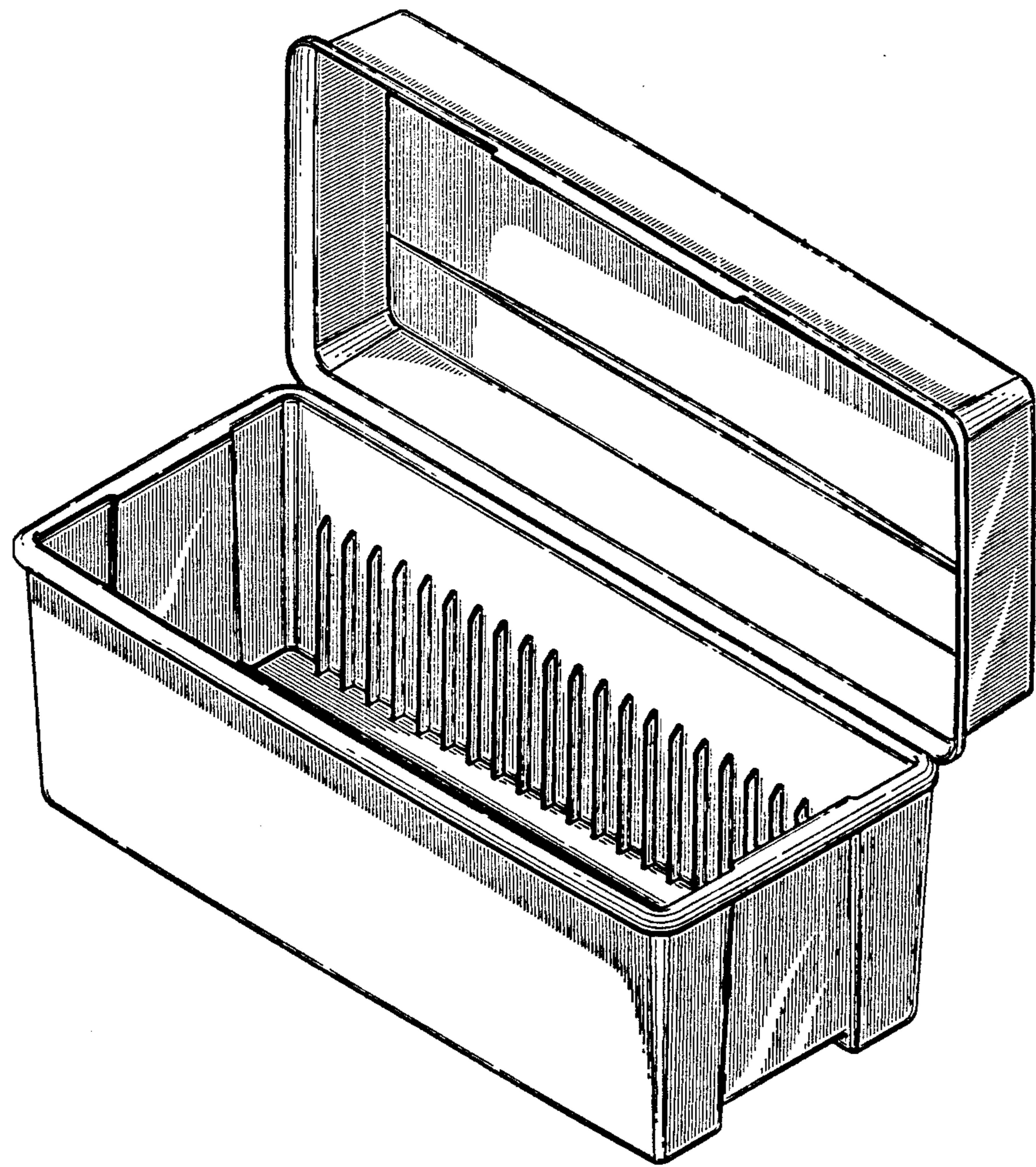
[57] CLAIM

The ornamental design for a compact disc storage container, as shown and described.

DESCRIPTION

FIG. 1 is a perspective view of a compact disc storage container shown in a partially open position;
 FIG. 2 is a front elevational view thereof shown in a closed position;
 FIG. 3 is a rear elevational view of FIG. 2;
 FIG. 4 is a top plan view of FIG. 2;
 FIG. 5 is a bottom plan view of FIG. 2;
 FIG. 6 is a top plan view thereof, shown in a fully open position;
 FIG. 7 is a right side elevational view of FIG. 2, the left side being a mirror image; and,
 FIG. 8 is a right side elevational view of FIG. 6.

- [56] **References Cited**
- U.S. PATENT DOCUMENTS**
- | | | | | |
|------------|---------|----------------|-------|--------|
| D. 246,854 | 1/1978 | Baker | | D9/341 |
| D. 280,467 | 1/1985 | Mihojevich | | D3/35 |
| D. 289,342 | 4/1987 | Reichow | | D3/35 |
| D. 293,279 | 12/1987 | Evans | | D3/35 |
| D. 296,153 | 6/1988 | Reichow | | D3/35 |
| D. 298,287 | 11/1988 | Stravitz | | D3/35 |
| D. 305,409 | 1/1990 | Michaud et al. | | D9/425 |
| D. 306,234 | 2/1990 | Ferstl | | D3/74 |



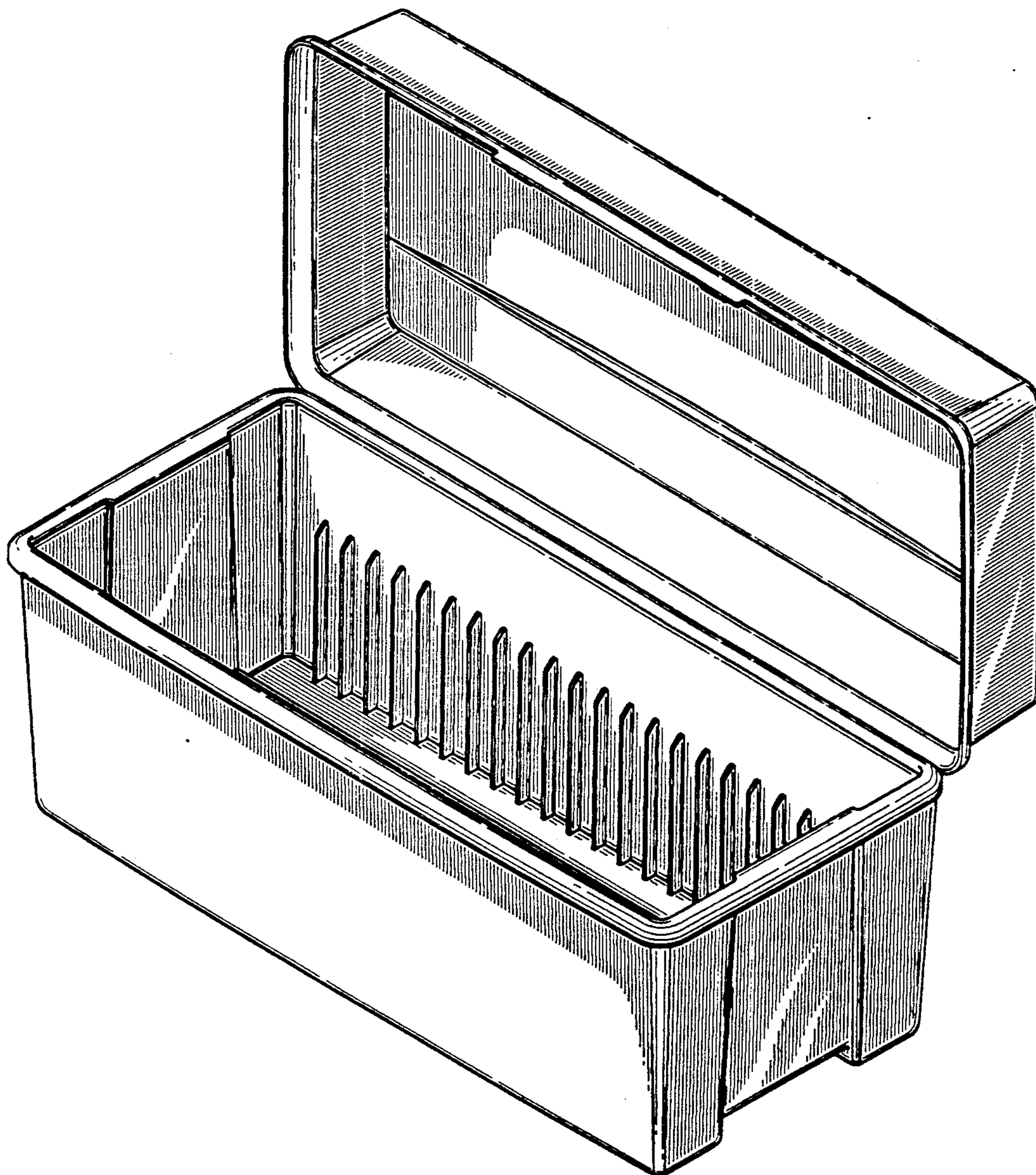


FIG-1

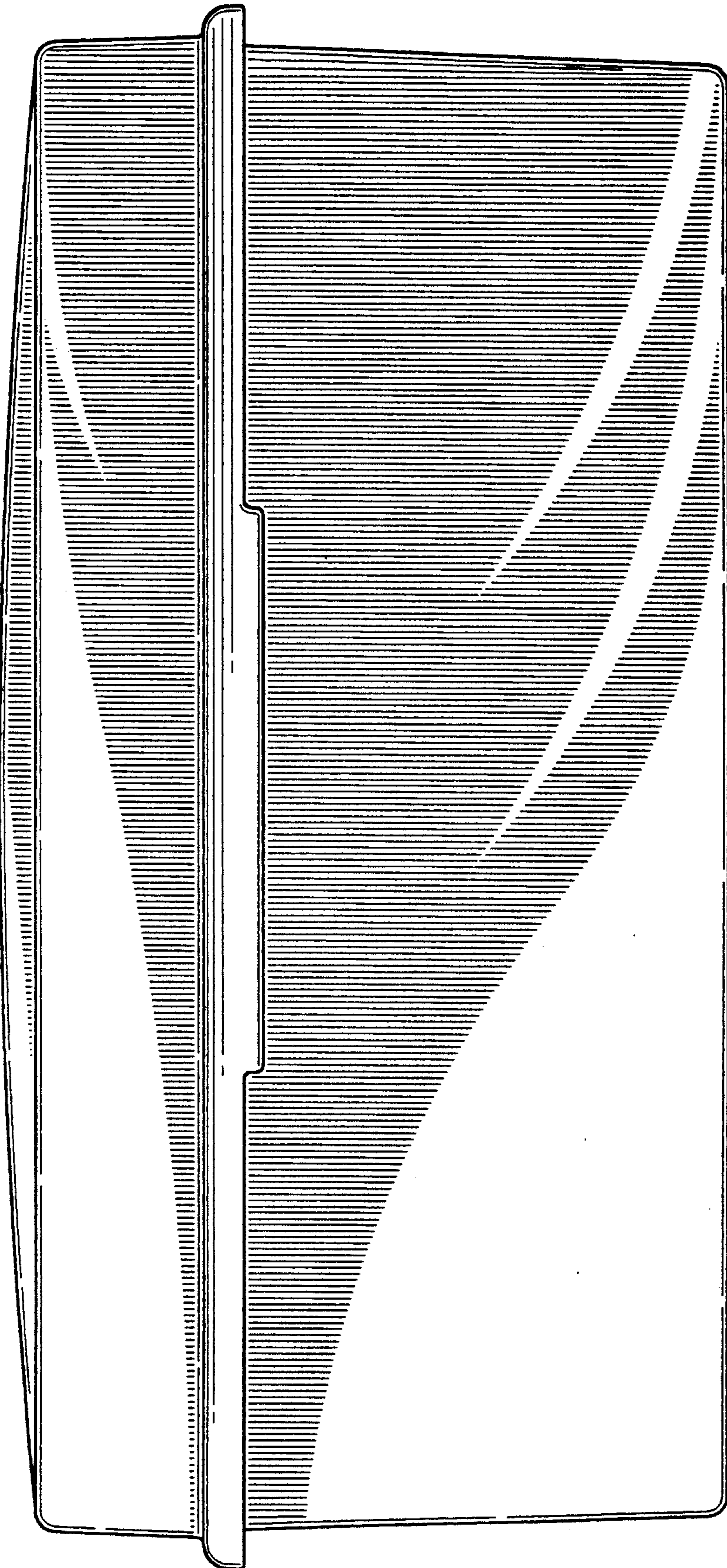


FIG-2

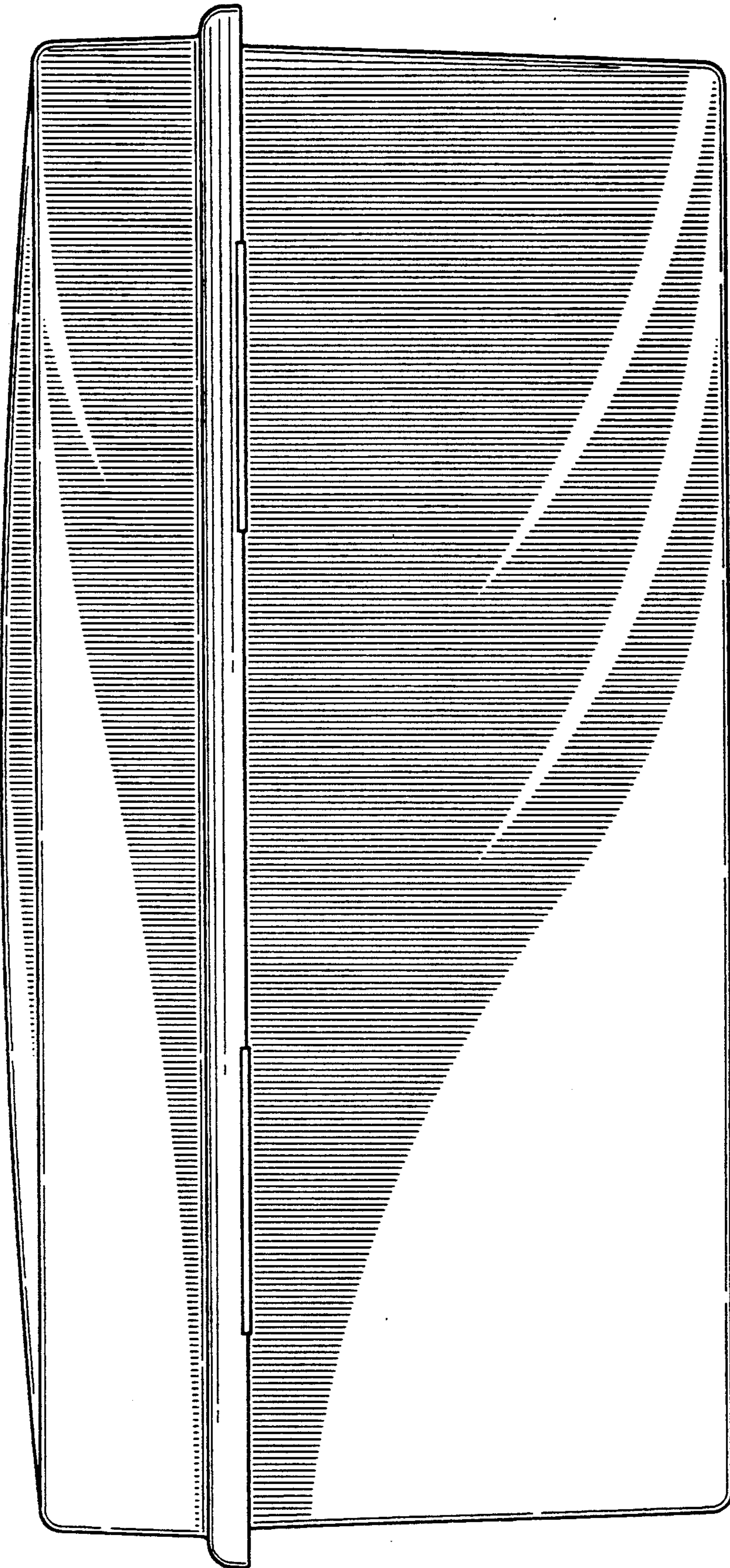


FIG-3

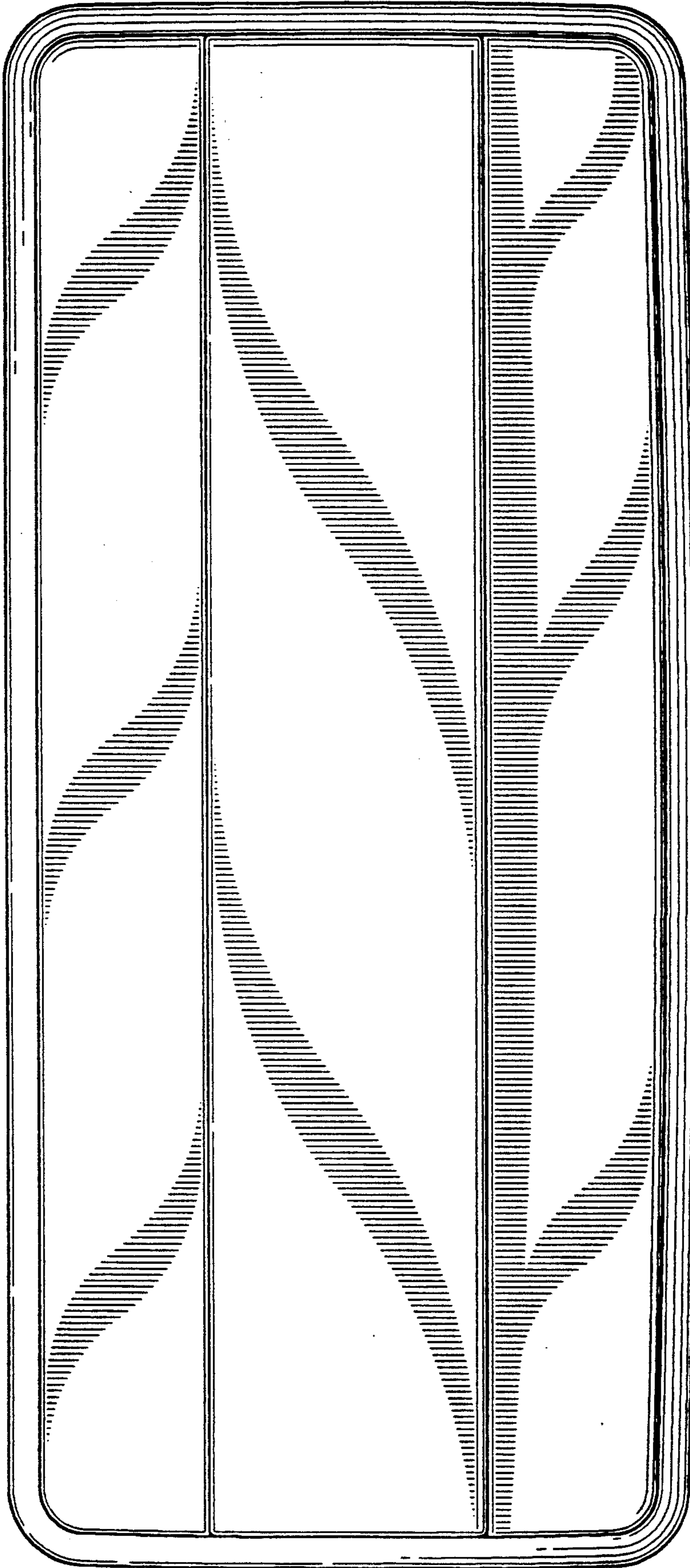


FIG-4

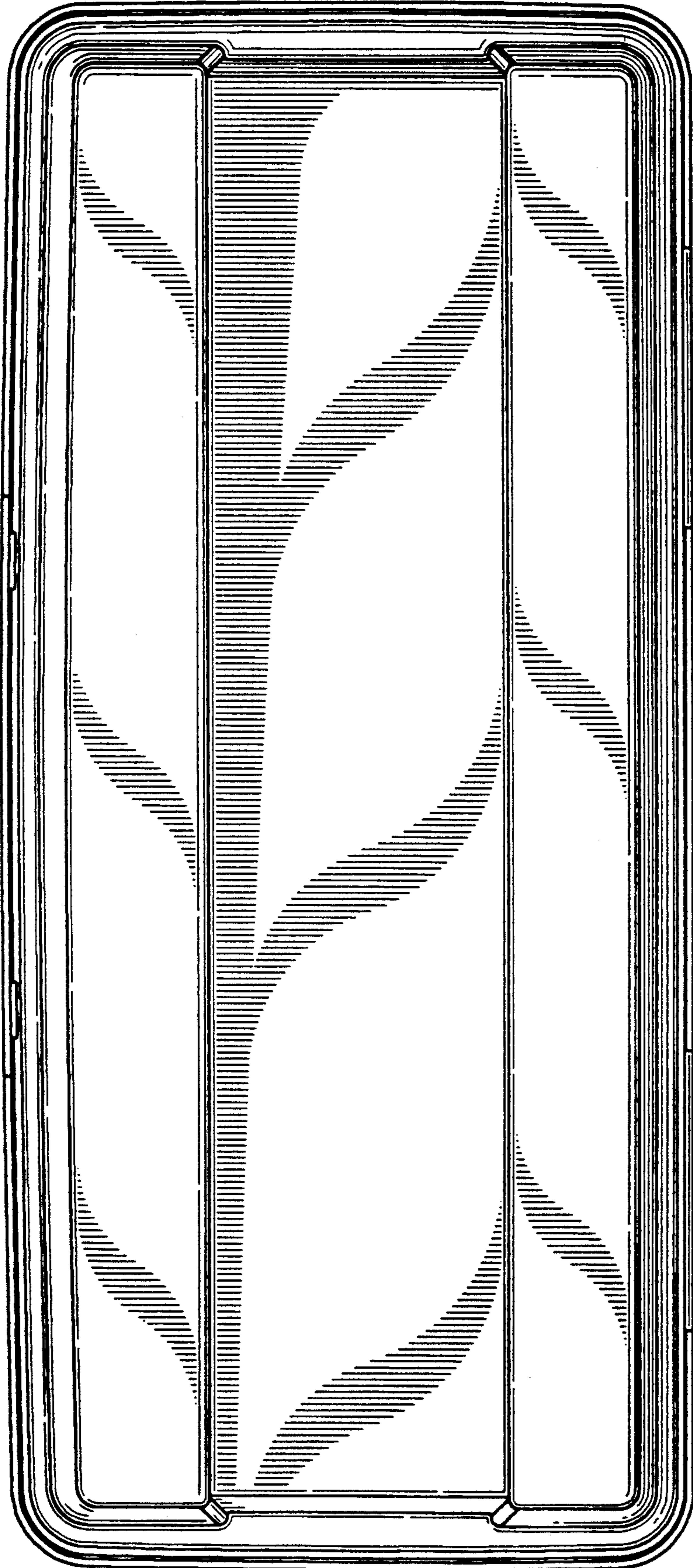


FIG-5

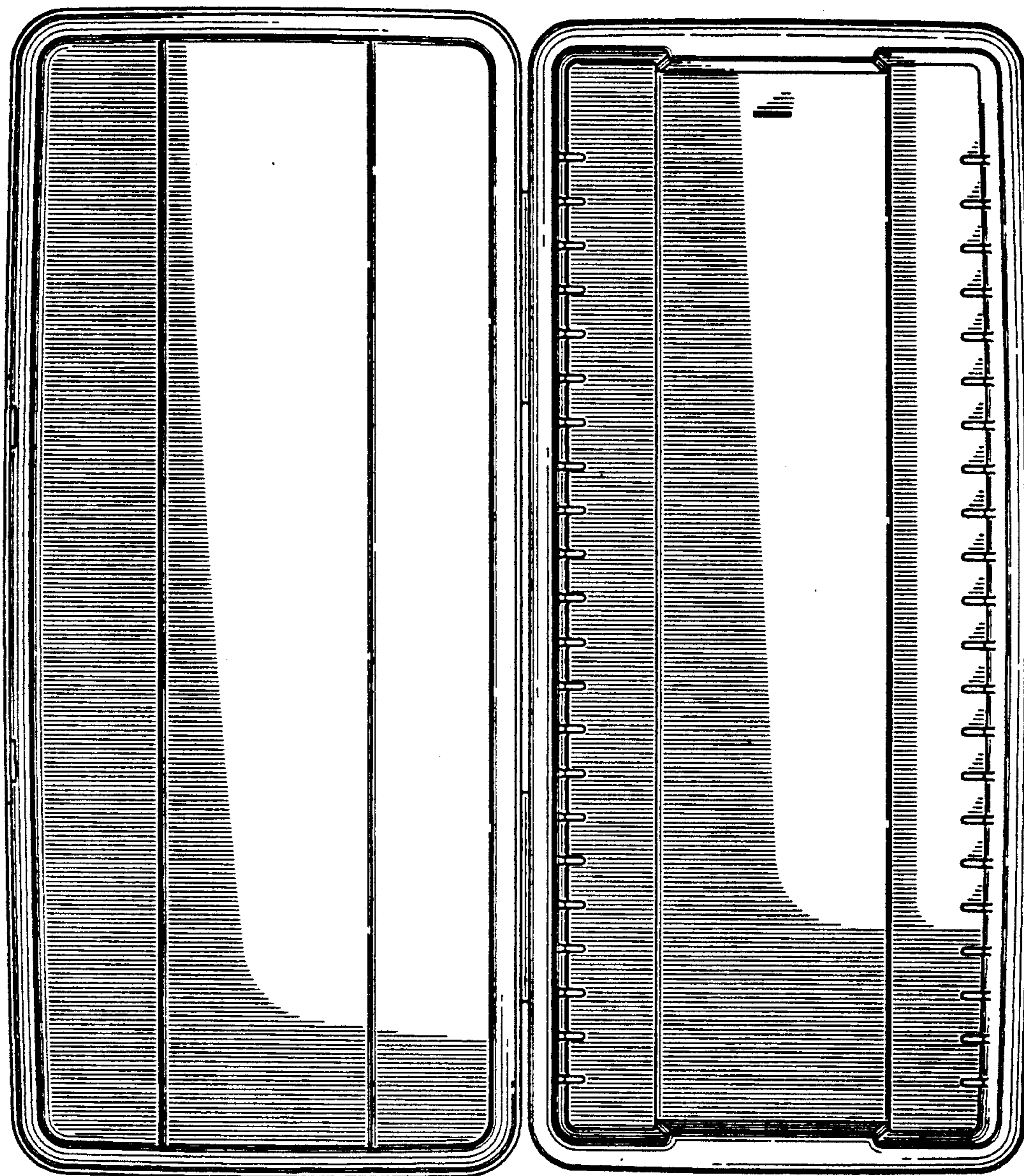


FIG-6

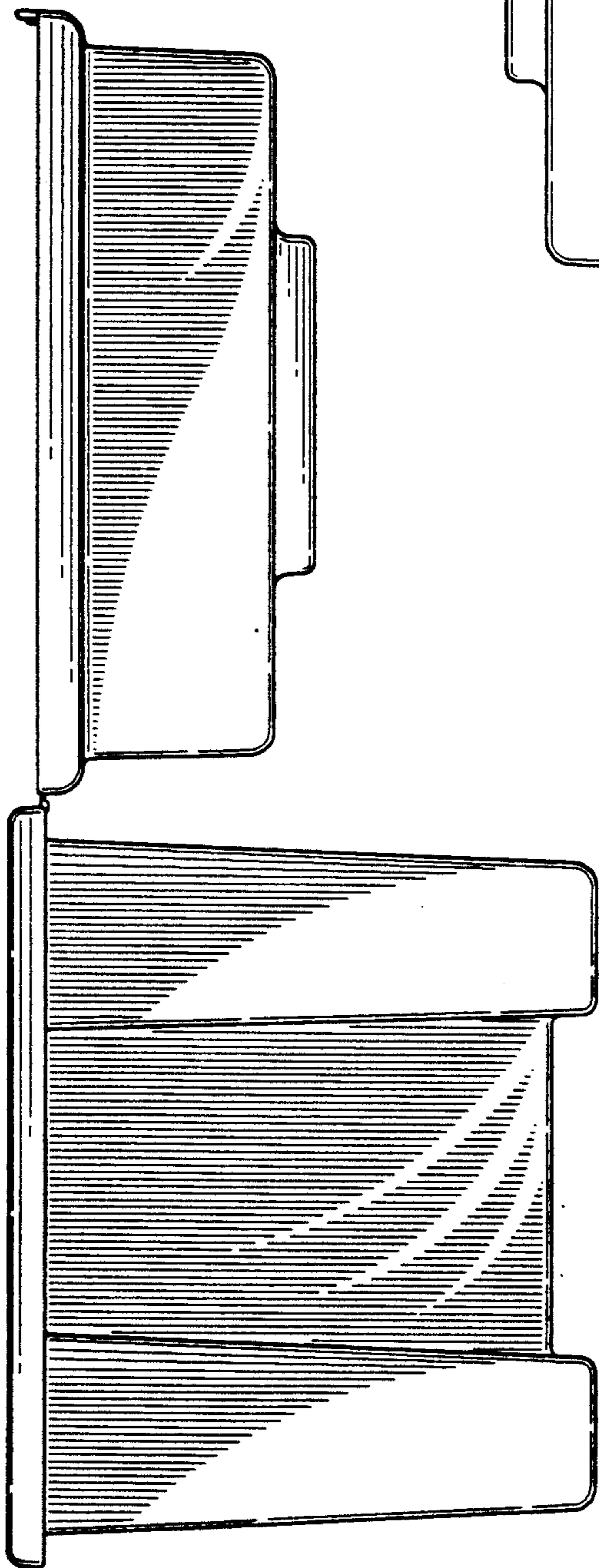


FIG-8

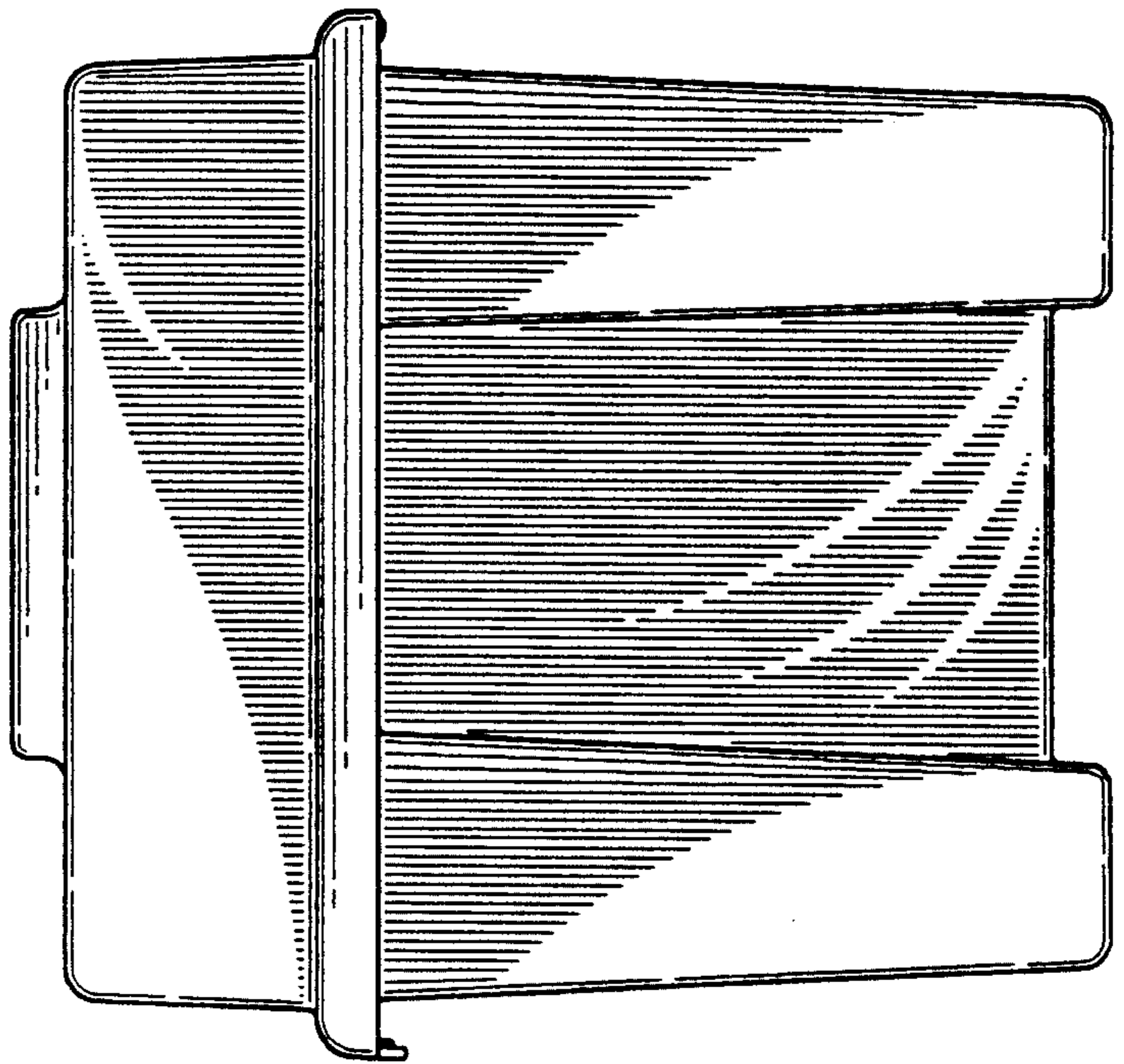


FIG-7