



US00D347951S

United States Patent [19]

[11] Patent Number: **Des. 347,951**

Brunner et al.

[45] Date of Patent: **** Jun. 21, 1994**

[54] HUTCH

3,362,610 1/1968 Van Dyke 211/135 X

[75] Inventors: **Merlin A. Brunner, Appleton;**
Harvey J. Draheim, Weyauwega,
both of Wis.

OTHER PUBLICATIONS

1988 Simmons Juvenile Products Company, Inc. Catalog: cover showing a Hutch.

[73] Assignee: **Simmons Juvenile Products Company, Inc., New London, Wis.**

Primary Examiner—Nelson C. Holtje
Assistant Examiner—Jeffrey Asch
Attorney, Agent, or Firm—Hoffmann & Baron

[**] Term: **14 Years**

[21] Appl. No.: **925,593**

[57] CLAIM

The ornamental design for a hutch, as shown and described.

[22] Filed: **Aug. 4, 1992**

[52] U.S. Cl. **D6/479**

[58] Field of Search **D6/477-479,**
D6/474, 473, 449; 108/111, 108, 106, 59;
211/13, 134, 187

DESCRIPTION

FIG. 1 is a front perspective view of a hutch showing our new design;
FIG. 2 is a side elevation view thereof, the opposite side being a mirror image thereof;
FIG. 3 is a top plan view thereof;
FIG. 4 is a front elevation view thereof;
FIG. 5 is a rear elevation view thereof;
FIG. 6 is an enlarged sectional view taken through line 7-7 of FIG. 4; and,
FIG. 7 is an enlarged sectional view taken through line 8-8 of FIG. 4.

[56] References Cited

U.S. PATENT DOCUMENTS

D. 59,618	11/1921	Beach	D6/479 X
D. 314,877	2/1991	Bush et al.	D6/479
D. 326,966	6/1992	Eggink et al.	D6/479 X
D. 329,155	9/1992	Schremmer	D6/479
D. 331,160	11/1992	Brunner	D6/479 X
1,840,297	1/1932	Alexander	D6/473 X
3,063,252	11/1962	Lamb	D6/479 X

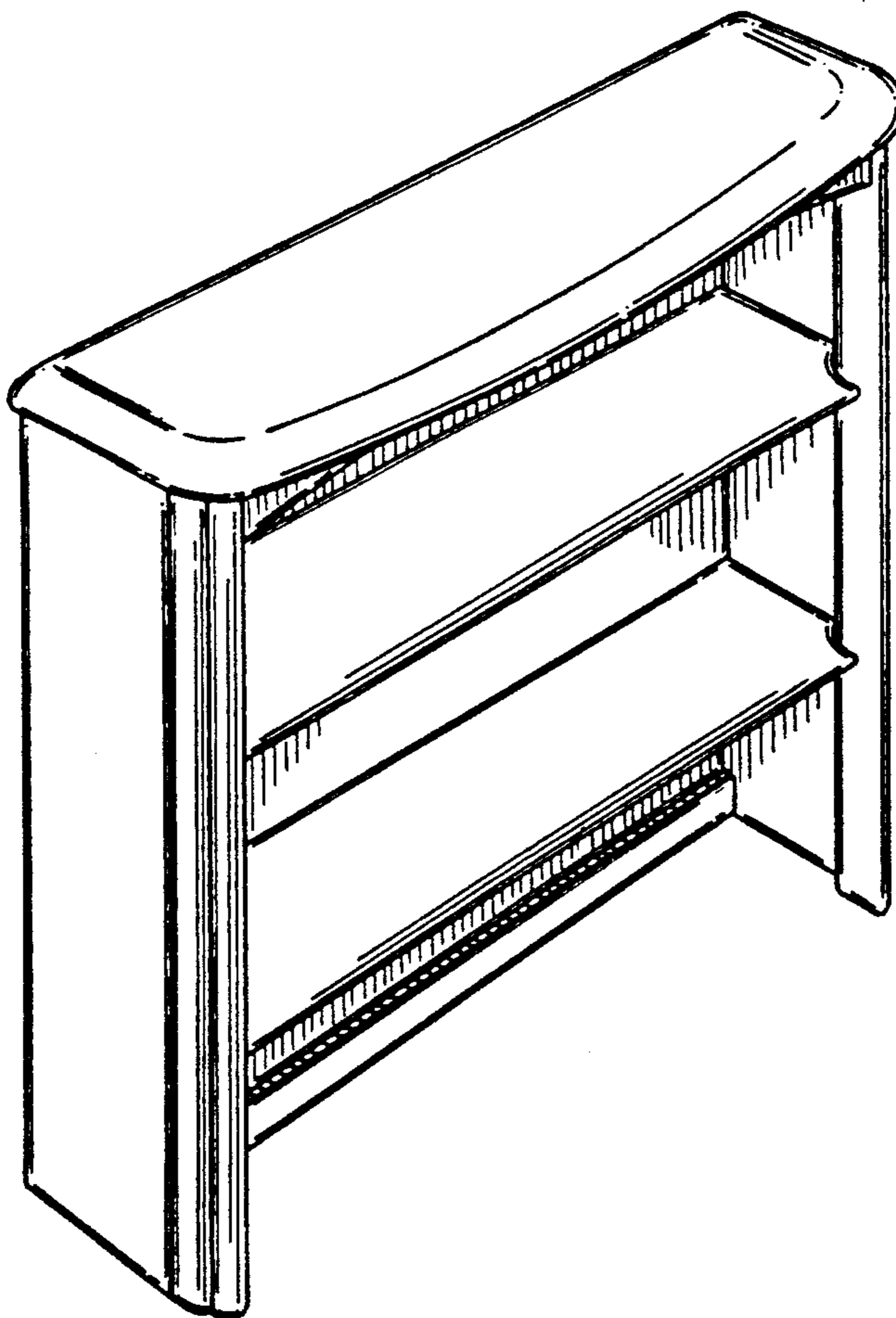


FIG-1

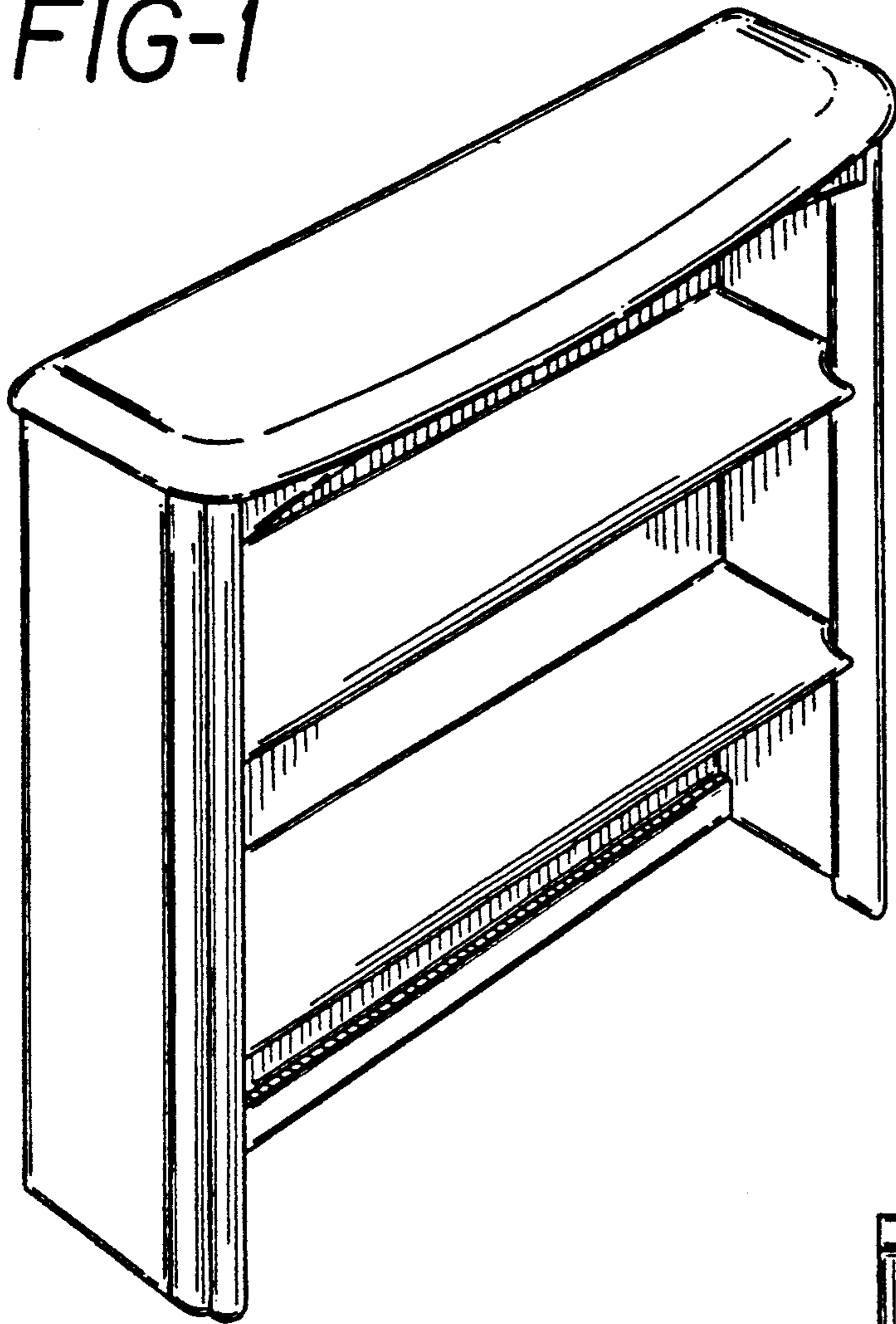


FIG-2

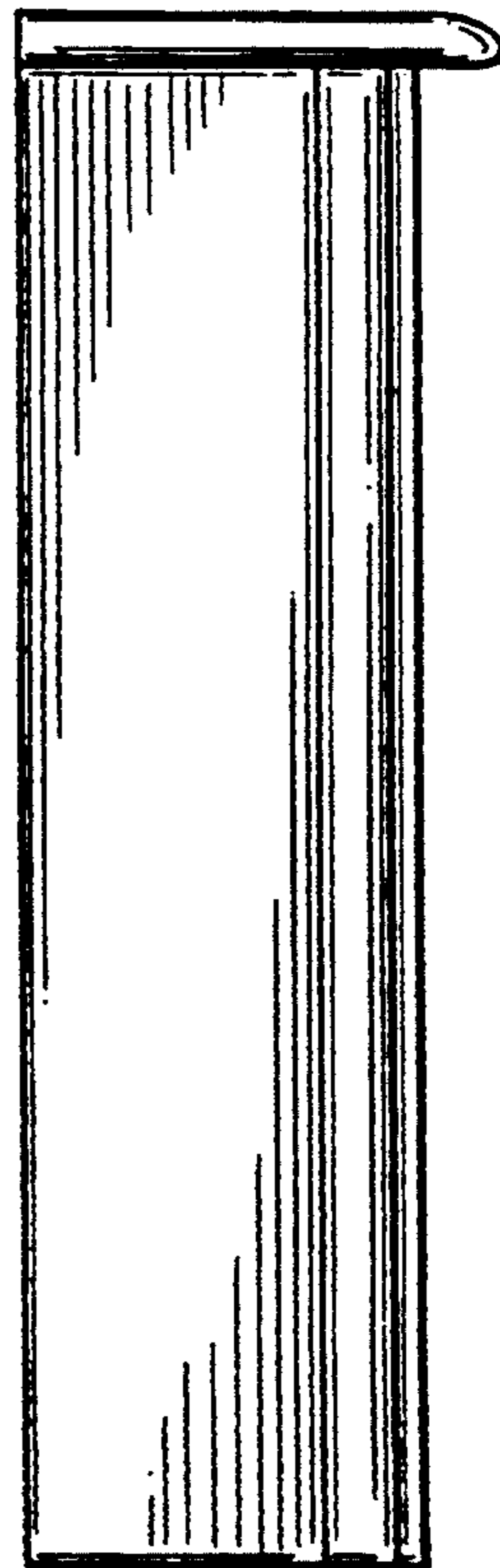


FIG-3

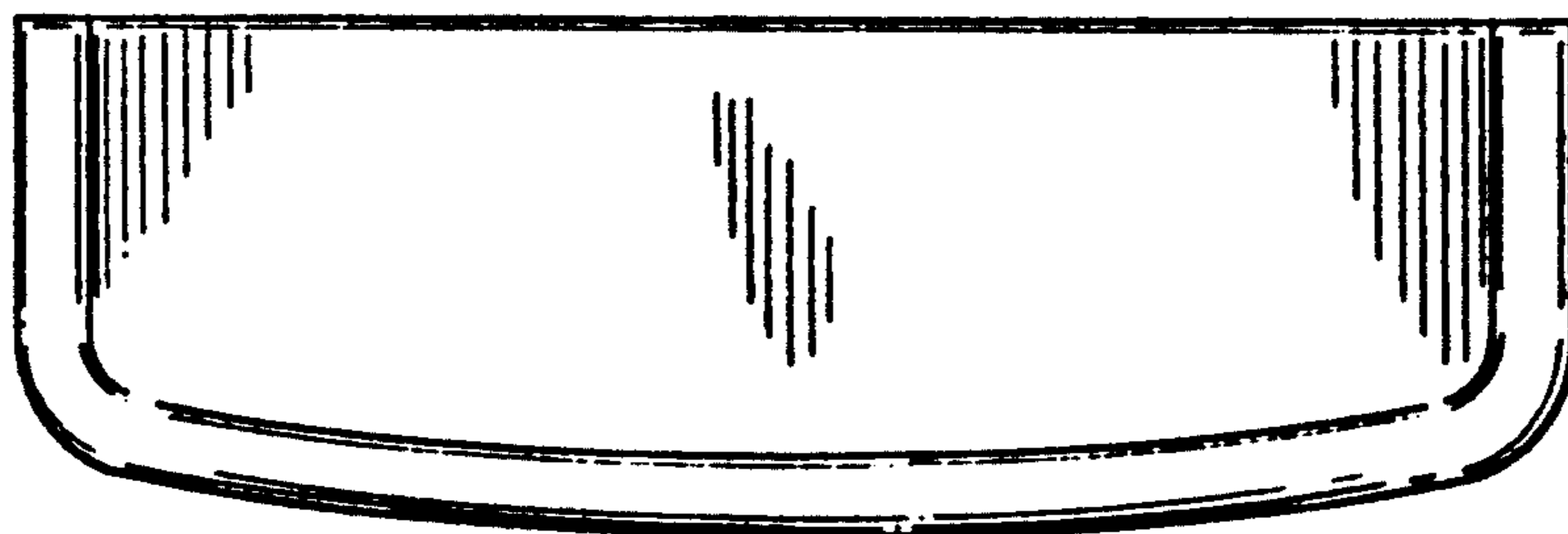


FIG-4

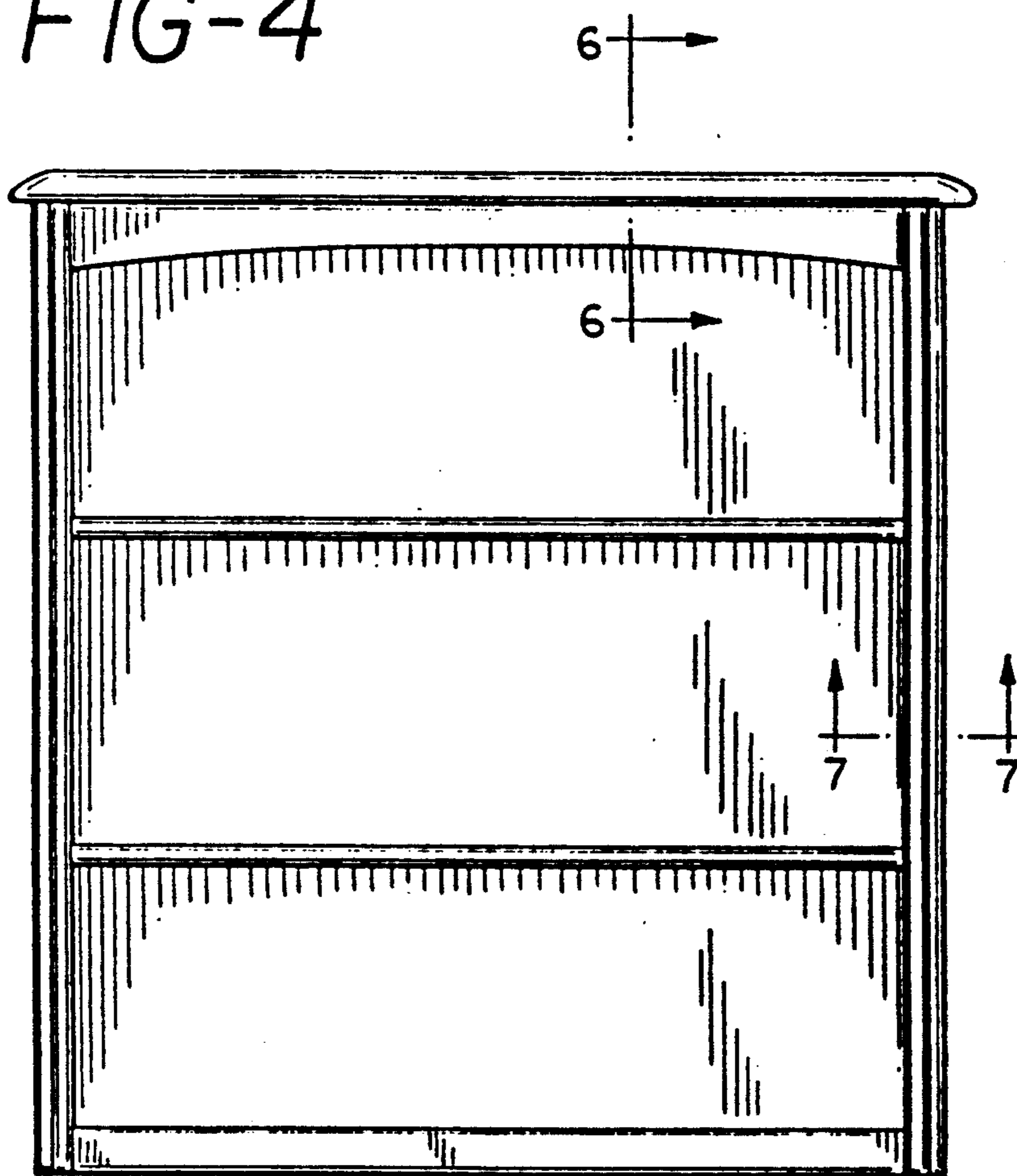


FIG-5

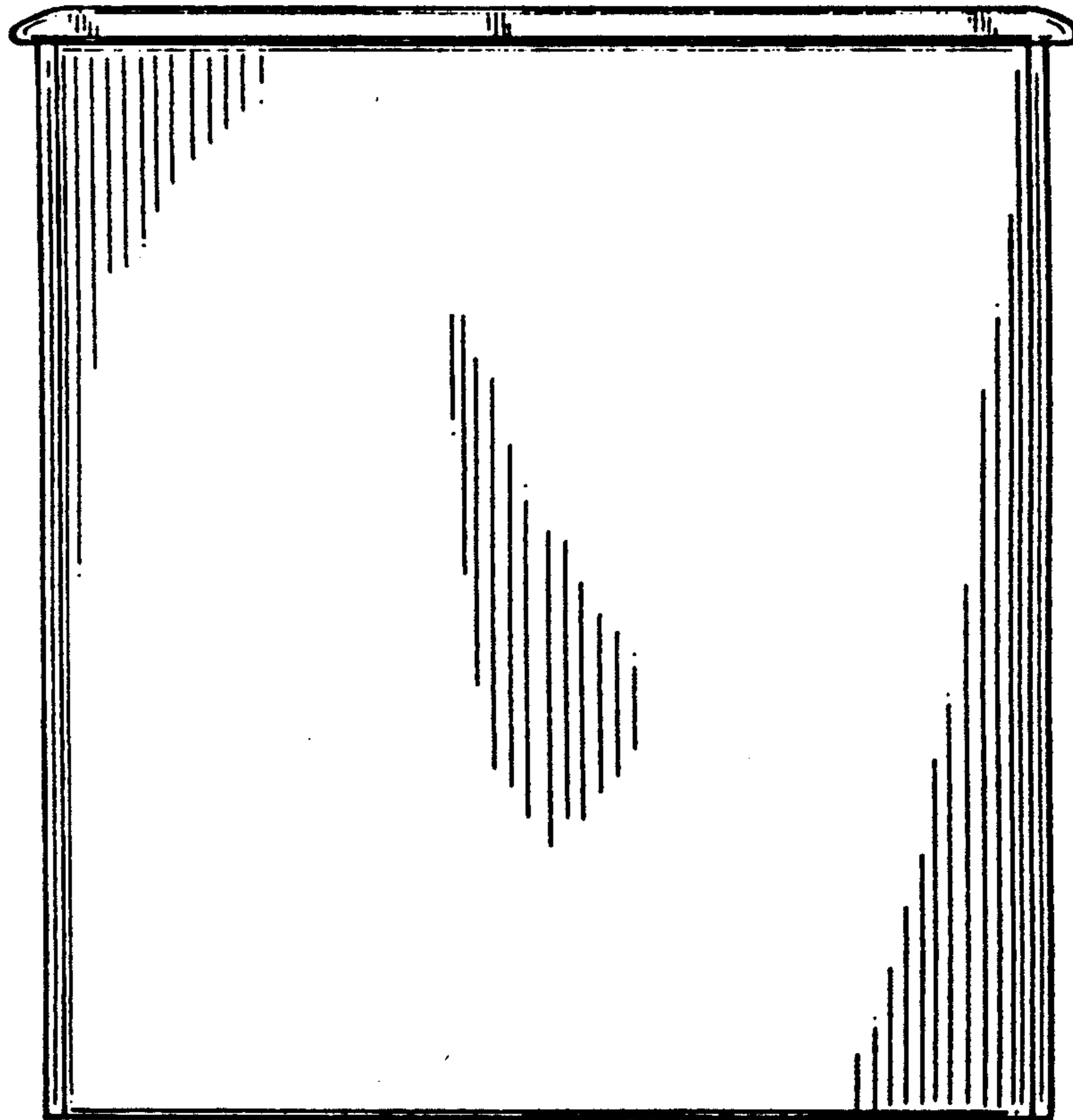


FIG-6

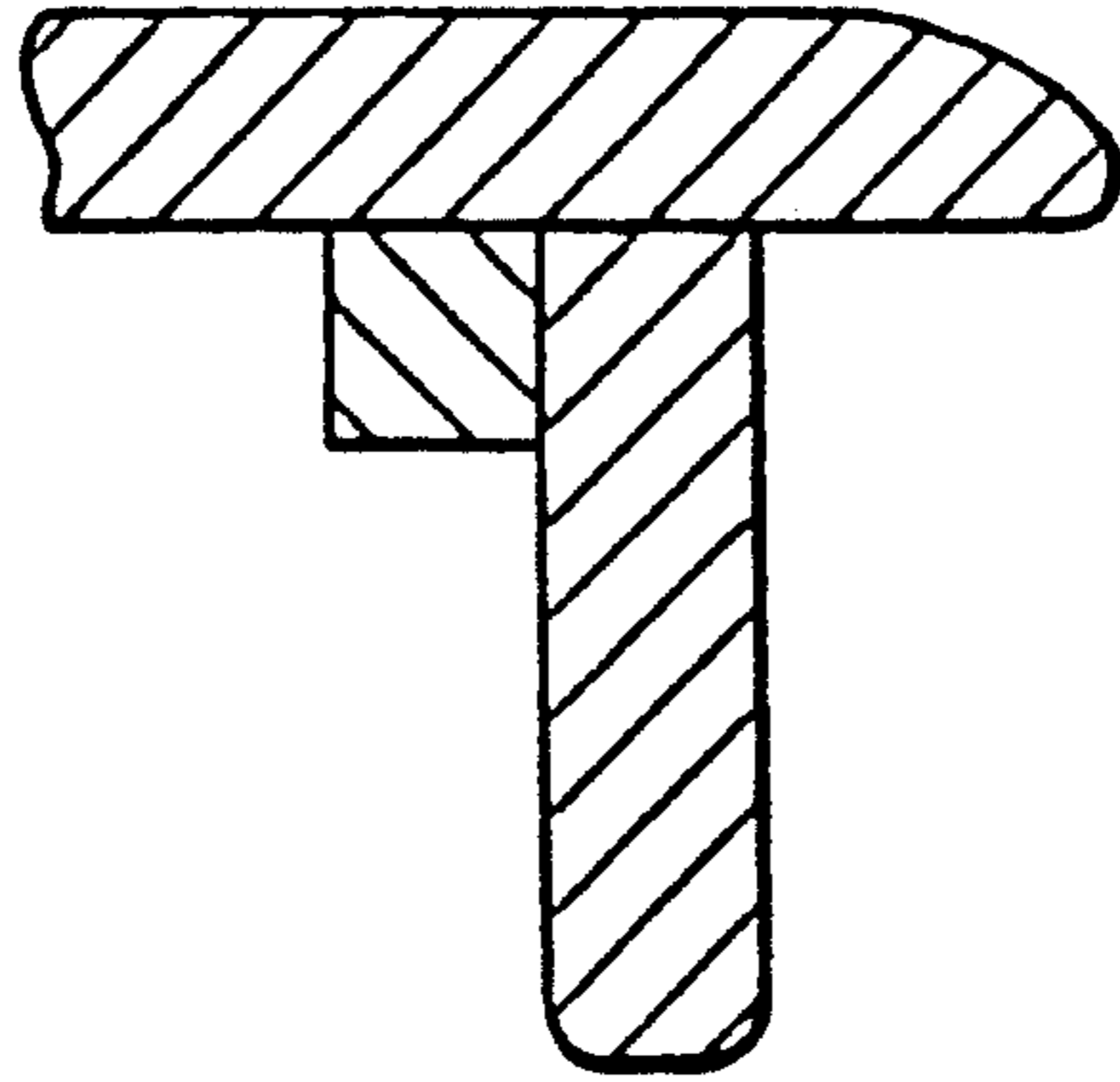


FIG-7

