



US00D347950S

United States Patent [19]

[11] Patent Number: **Des. 347,950**

Cisero et al.

[45] Date of Patent: **** Jun. 21, 1994**

[54] **SPOOLED WIRE DISPENSER**

[75] Inventors: **Michael T. Cisero, Easton, Pa.;**
Gordon T. Travis, Chatham, N.J.

[73] Assignee: **Alpha Wire Corporation, Elizabeth, N.J.**

[**] Term: **14 Years**

[21] Appl. No.: **873**

[22] Filed: **Oct. 27, 1992**

[52] U.S. Cl. **D6/456; D8/358**

[58] Field of Search **D6/470-472,**
D6/456, 455, 449; D8/358, 359; 312/125, 135,
305; 242/86, 96, 77, 129; 211/164, 13, 60.1

[56] **References Cited**

U.S. PATENT DOCUMENTS

D. 99,560	5/1936	Greuter	D6/472
D. 147,372	8/1947	Marsh	D8/359
D. 164,546	9/1951	Becker	D8/358 X
D. 179,424	12/1956	Olejniczak	D6/472
D. 309,856	8/1990	Martine	D8/358

D. 330,506	10/1992	Clivio	D8/358 X
D. 334,882	4/1993	Bunch	D8/358 X
D. 339,976	10/1993	Ferguson, Sr.	D8/359
2,644,652	7/1953	Hannay	D8/358 X
3,601,461	8/1971	Melcher	312/135
4,284,180	8/1981	Masters	242/96 X

Primary Examiner—Alan P. Douglas
Assistant Examiner—Jeffrey Asch
Attorney, Agent, or Firm—Lockwood, Alex, Fitzgibbon & Cummings

[57] **CLAIM**

The ornamental design for a spooled wire dispenser, as shown and described.

DESCRIPTION

FIG. 1 is a perspective view of a spooled wire dispenser showing our new design;
FIG. 2 is a front elevational view thereof;
FIG. 3 is a left side elevational view thereof, the right side elevation being a mirror image thereof;
FIG. 4 is a rear elevational view thereof;
FIG. 5 is a top plan view thereof; and,
FIG. 6 is a bottom plan view thereof.

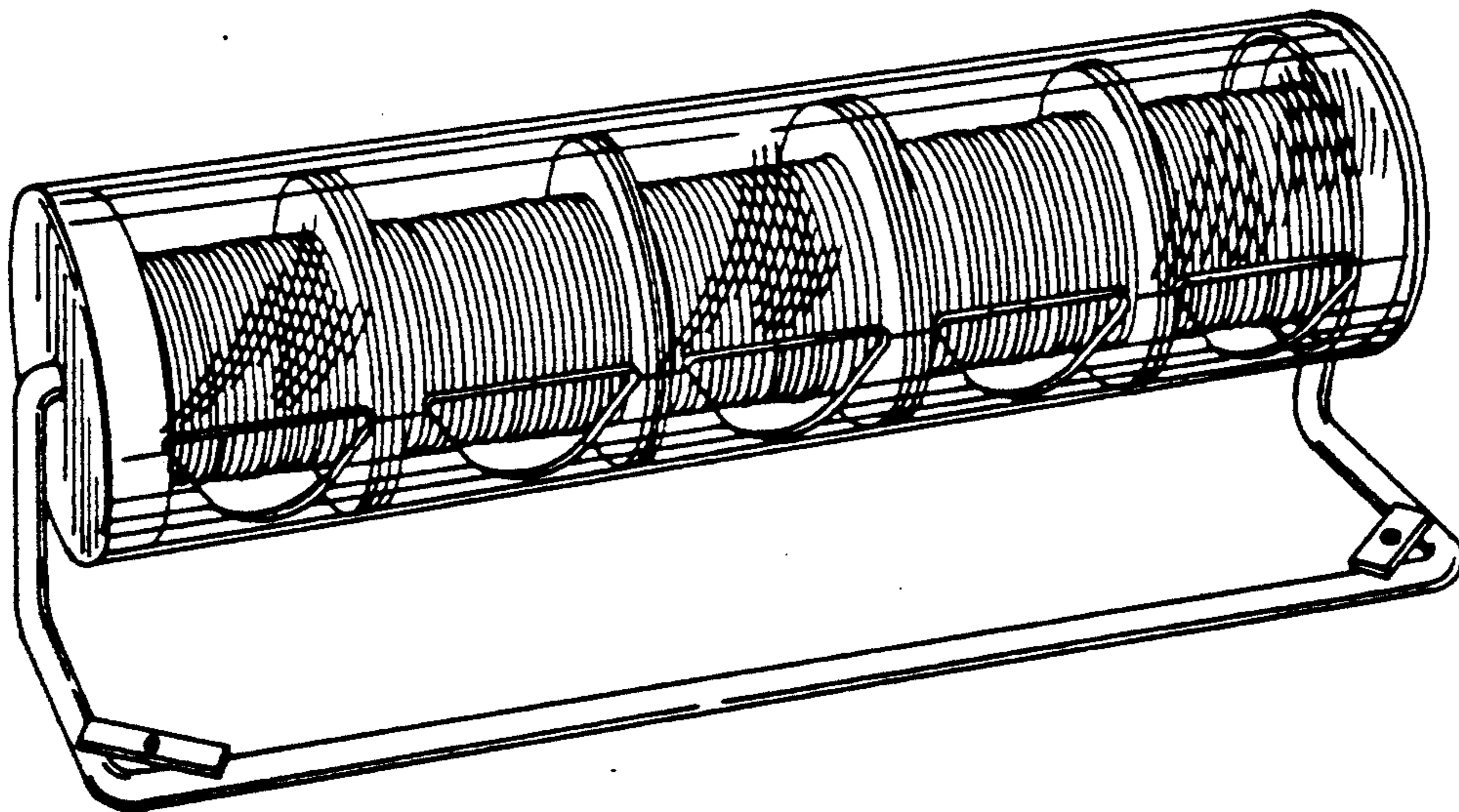


FIG. 1

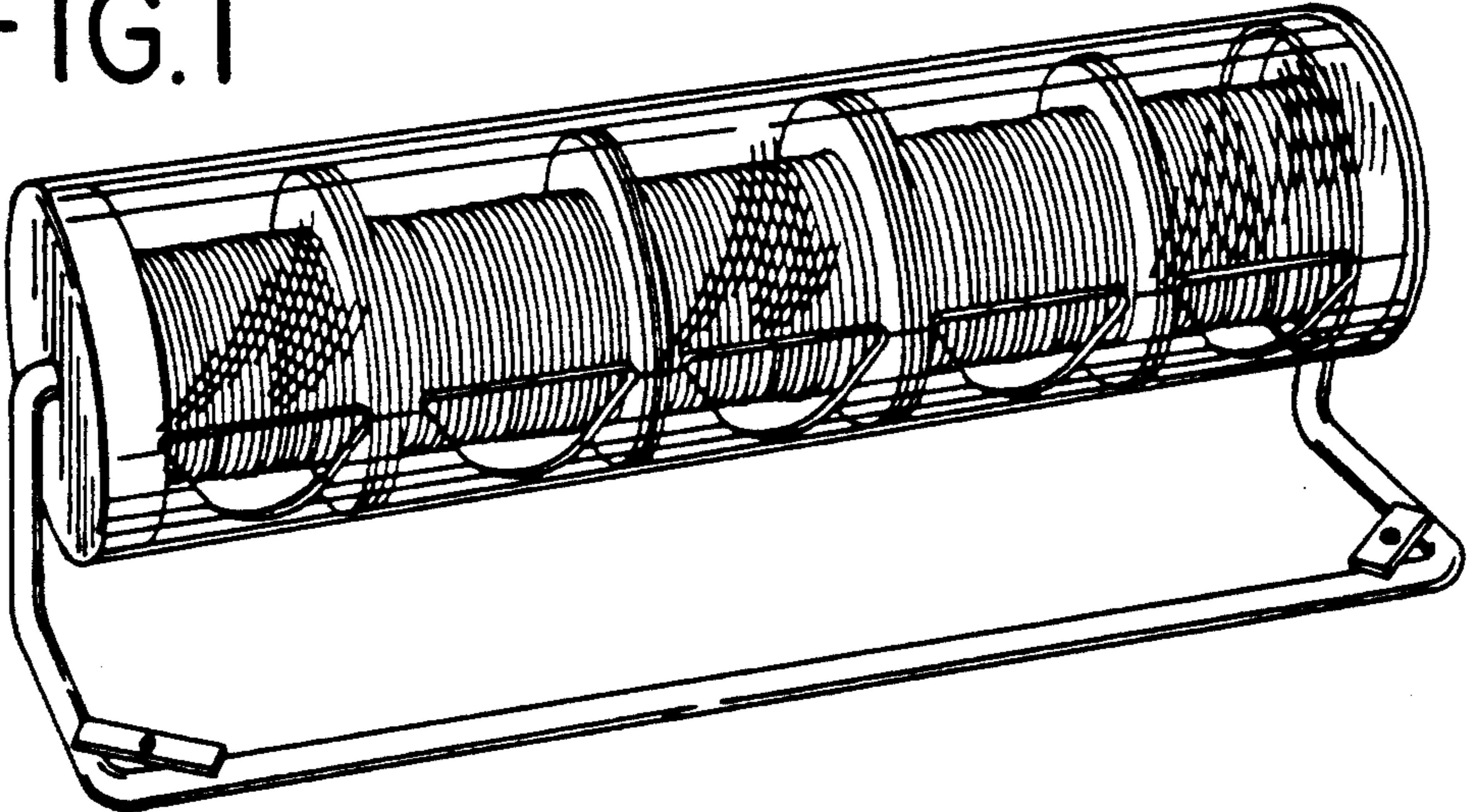


FIG. 2

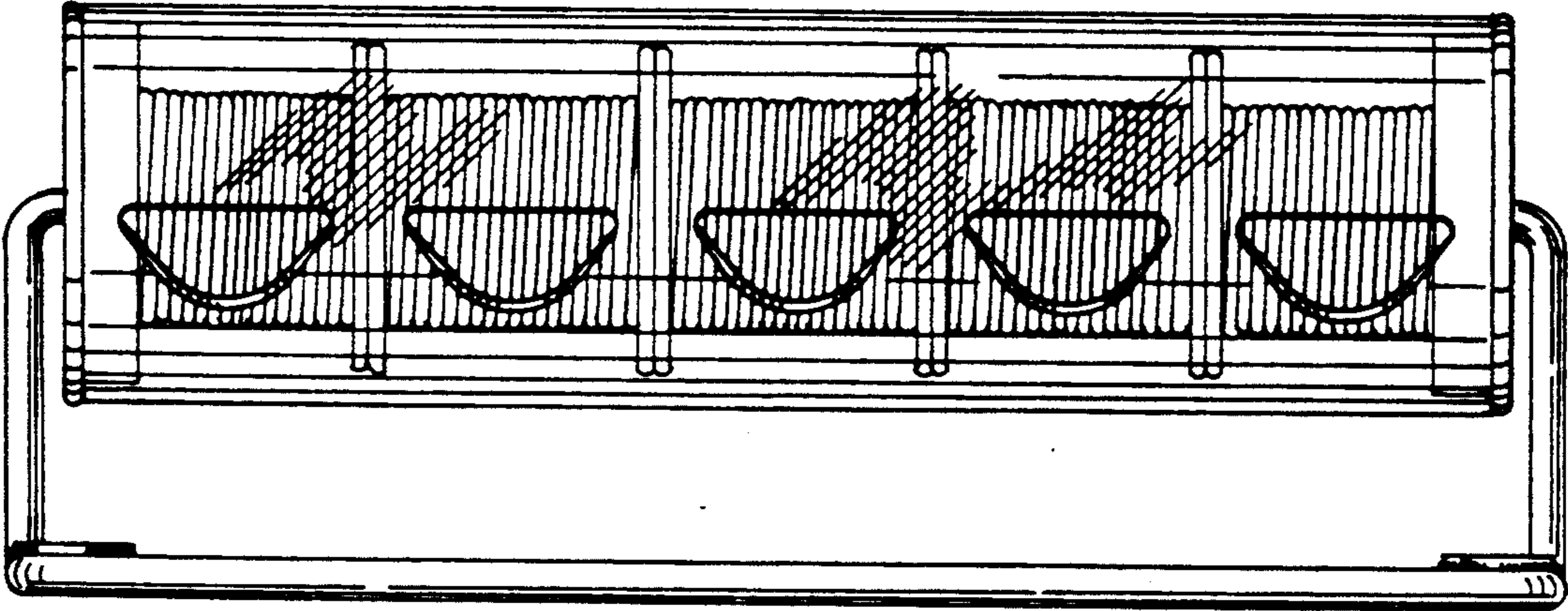


FIG. 3

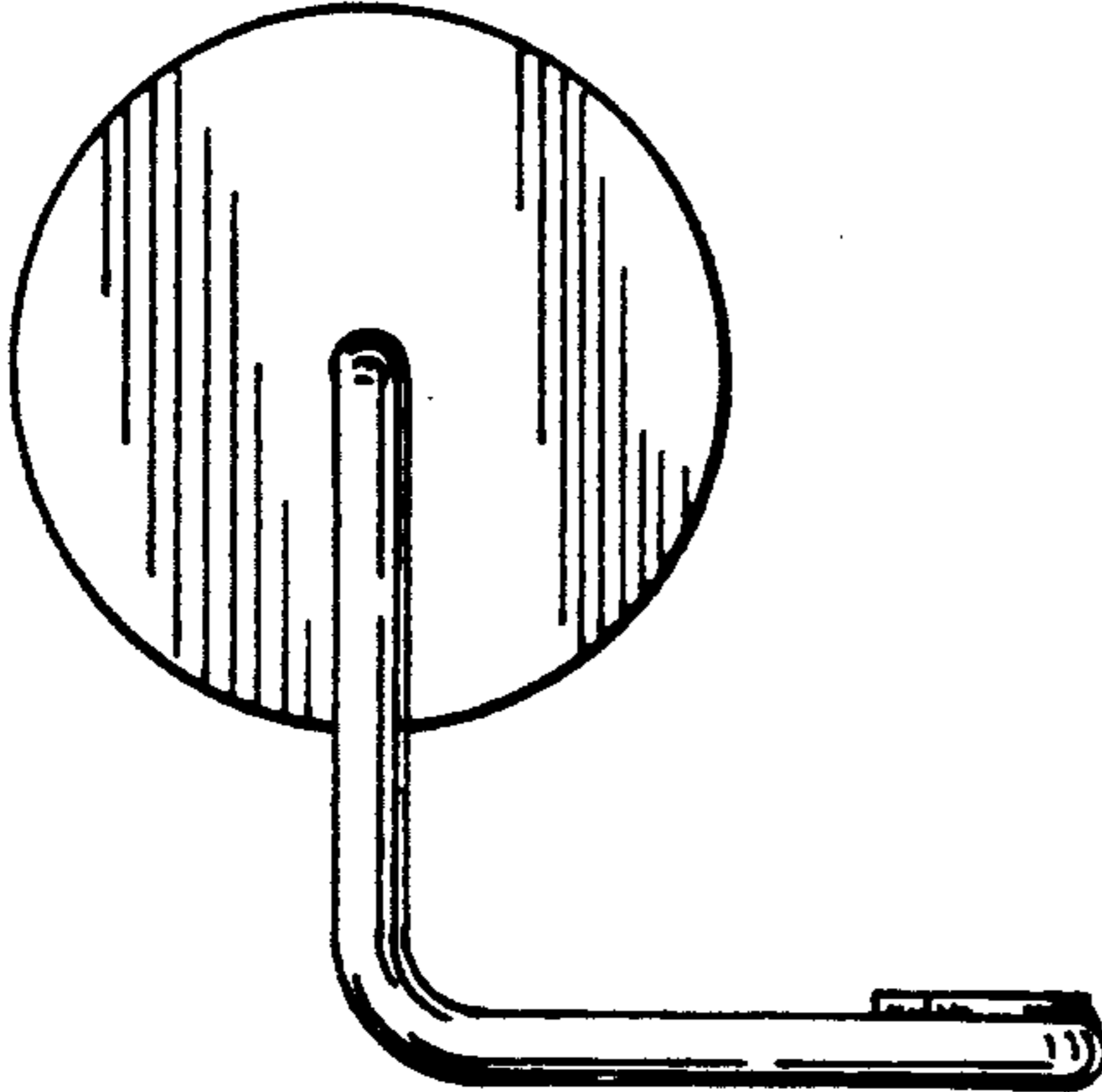


FIG.4

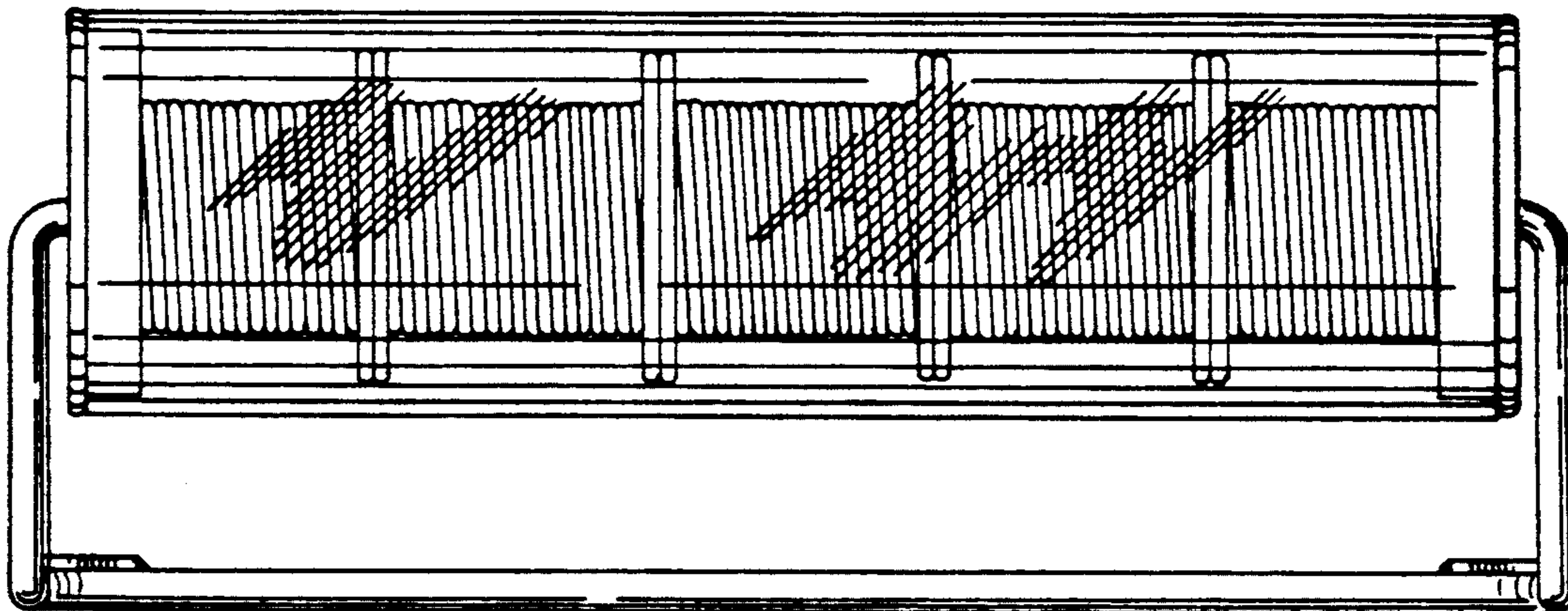


FIG.5

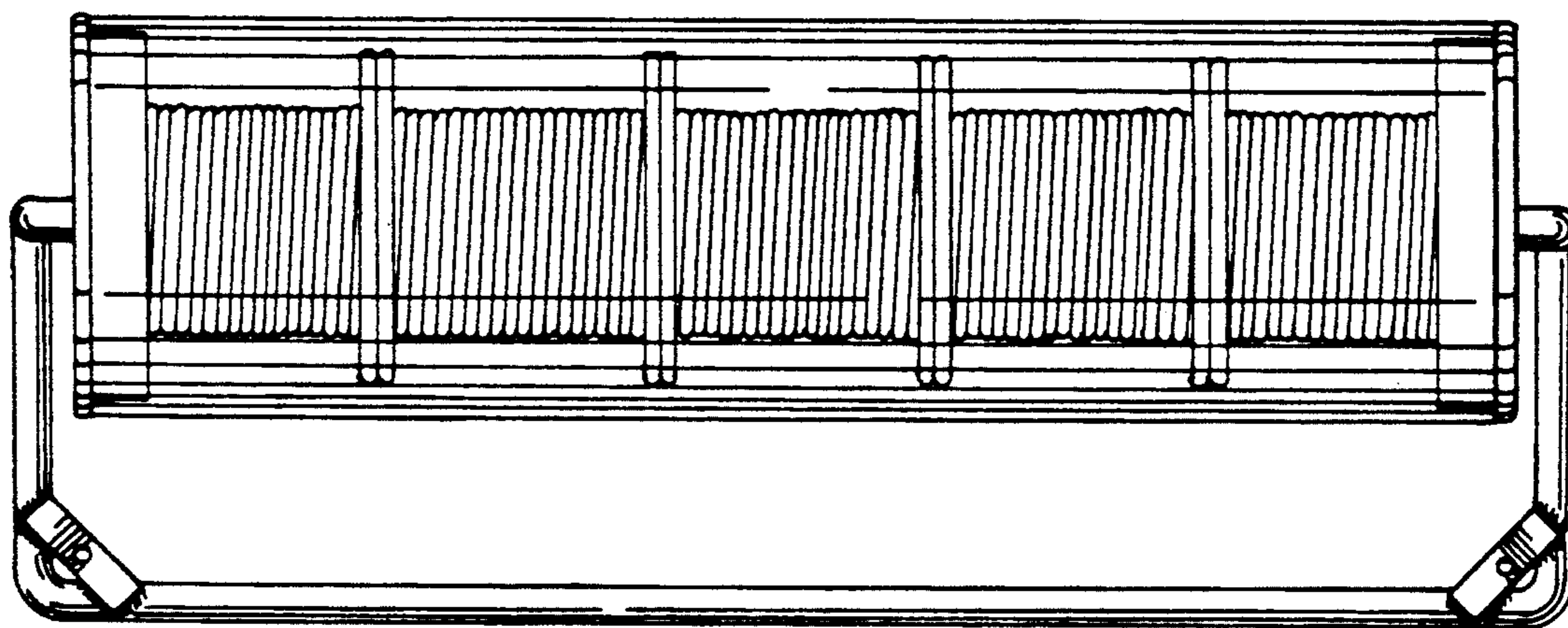


FIG.6

