



US00D347948S

United States Patent [19] McKnight

[11] Patent Number: **Des. 347,948**

[45] Date of Patent: **** Jun. 21, 1994**

[54] **BEACH UMBRELLA ANCHOR**

[76] Inventor: **Kevin McKnight**, 201 Orchard Rd.,
Springfield, Pa. 19064

[**] Term: **14 Years**

[21] Appl. No.: **806,460**

[22] Filed: **Dec. 13, 1991**

[52] U.S. Cl. **D6/417**

[58] Field of Search **D6/417; 211/62, 125;
248/156, 530, 533, 545**

4,920,897 5/1990 Reed et al. 248/156 X
 5,046,699 9/1991 Perreault et al. 248/533
 5,098,057 3/1992 Grau et al. 248/530
 5,152,495 10/1992 Jacinto et al. 248/545
 5,156,369 10/1992 Tizzoni 248/545

FOREIGN PATENT DOCUMENTS

85654 2/1936 Sweden 248/545

Primary Examiner—Carmen H. Vales-Lado
Attorney, Agent, or Firm—Terry M. Gernstein

[57] CLAIM

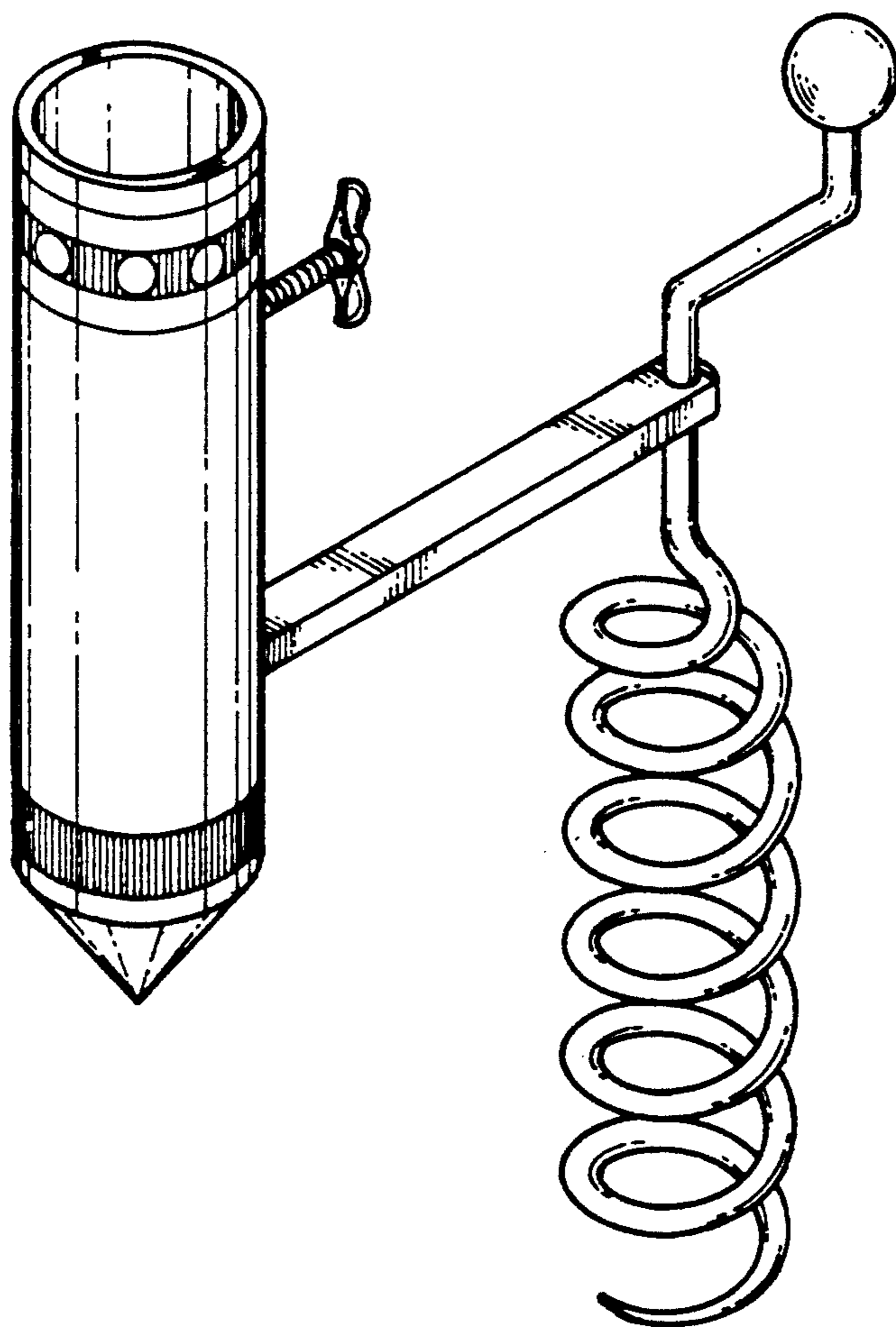
The ornamental design for a beach umbrella anchor, as shown and described.

[56] References Cited U.S. PATENT DOCUMENTS

1,608,795	11/1926	Kennedy	248/516
2,103,948	12/1937	Jones	248/530
2,168,830	8/1939	Schroth	248/545
2,209,504	7/1940	Beiter	248/530
2,628,797	2/1953	Campomar	248/545
2,822,143	2/1958	Johansen	248/516
3,286,962	11/1966	Warth	248/545
3,304,035	2/1967	Davis	248/516
4,832,304	5/1989	Morgulis	248/533

DESCRIPTION

FIG. 1 is a perspective view of a beach umbrella anchor showing my new design;
 FIG. 2 is a front elevational view thereof;
 FIG. 3 is a rear elevational view thereof;
 FIG. 4 is a left side elevational view thereof;
 FIG. 5 is a right side elevational view thereof;
 FIG. 6 is a top plan view thereof; and,
 FIG. 7 is a bottom view thereof.



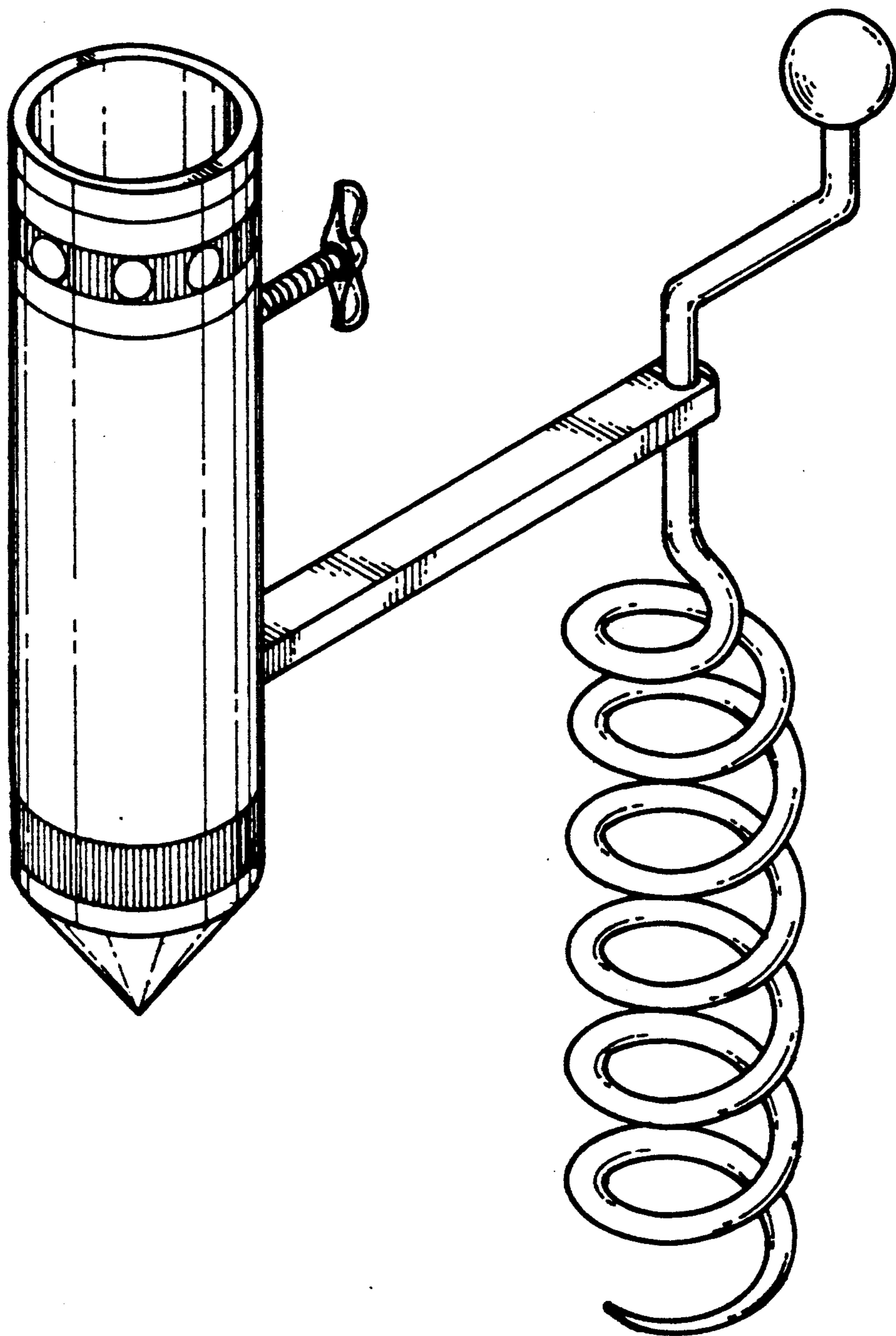


FIG. 1

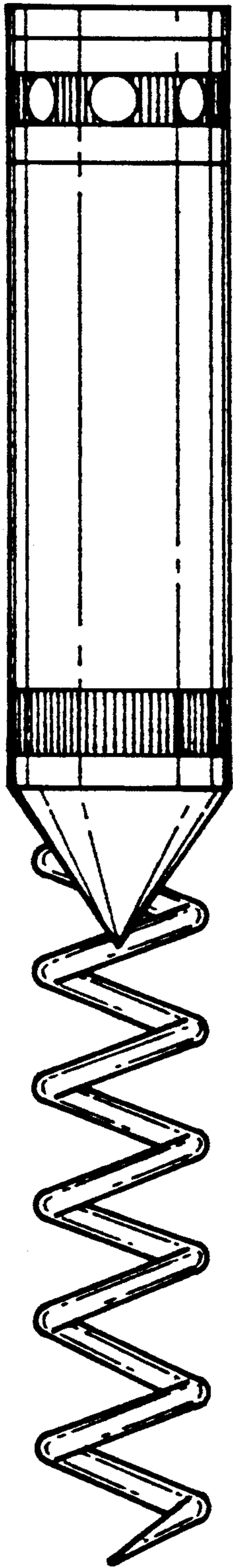


FIG. 2

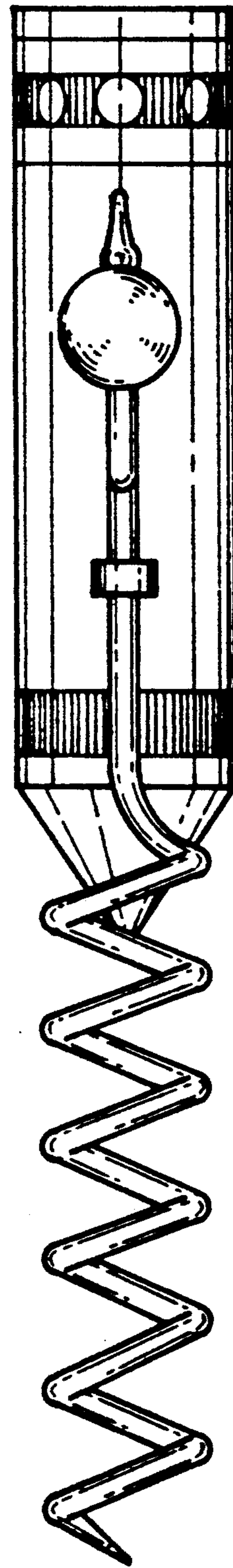


FIG. 3

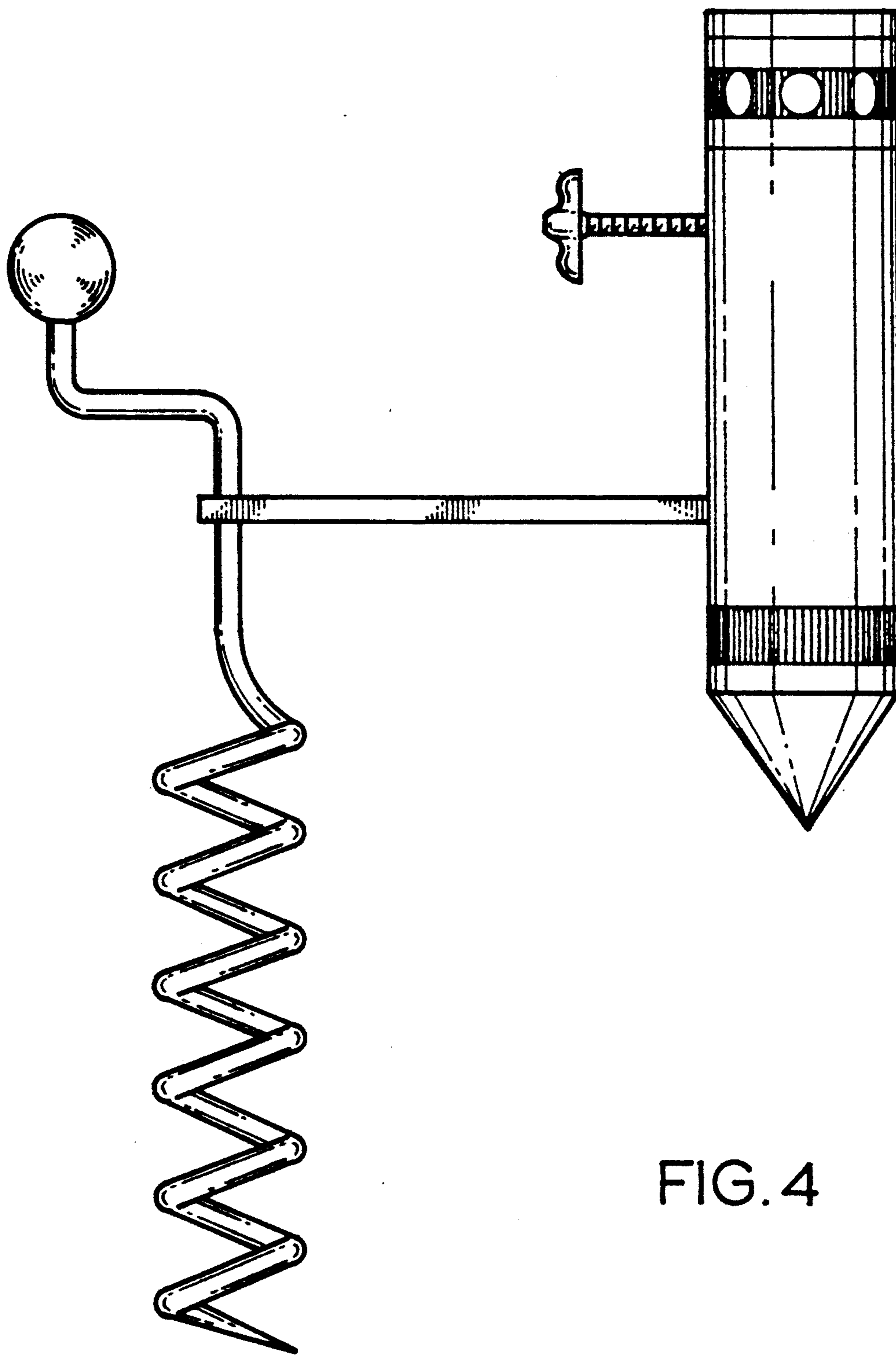


FIG. 4

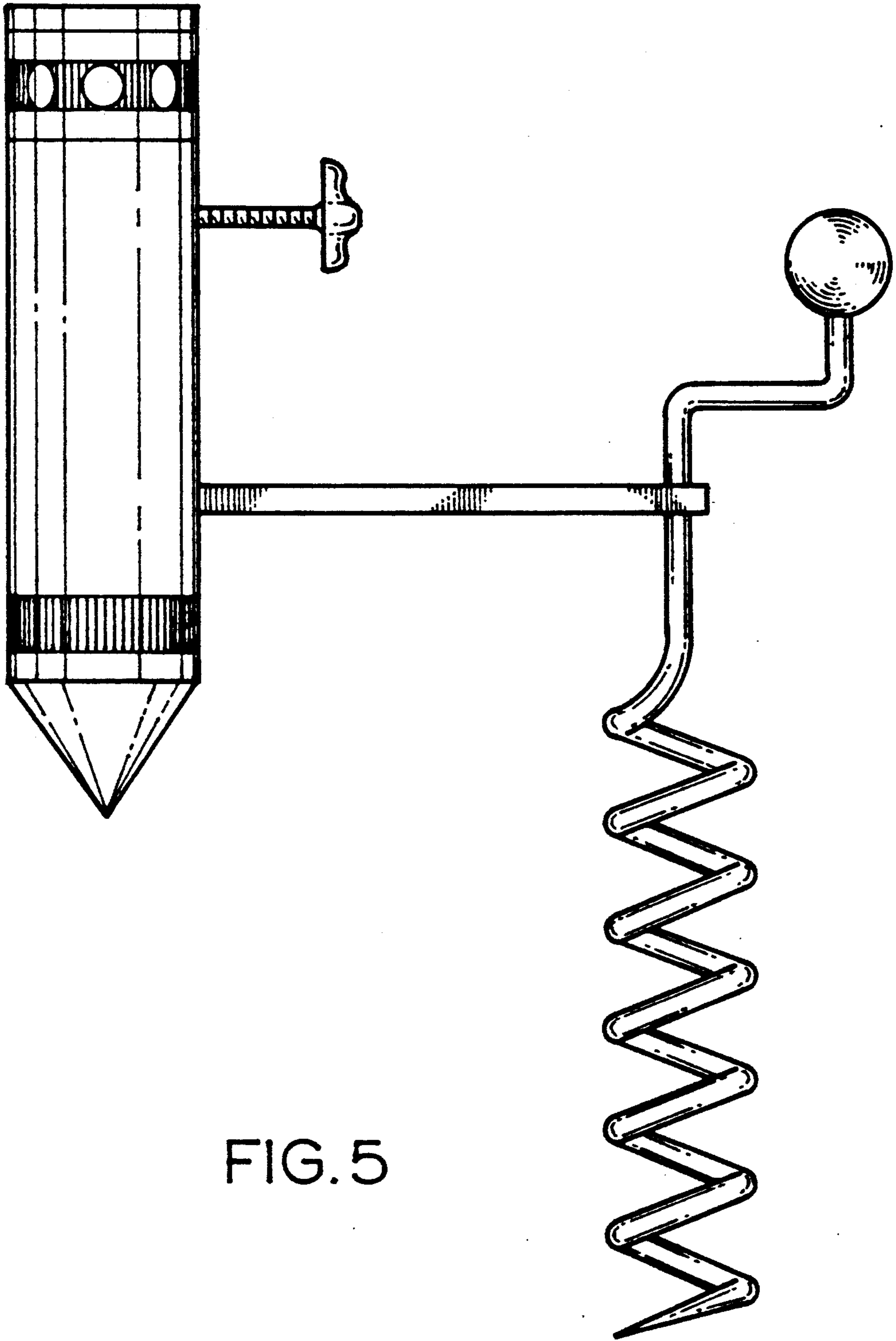


FIG. 5

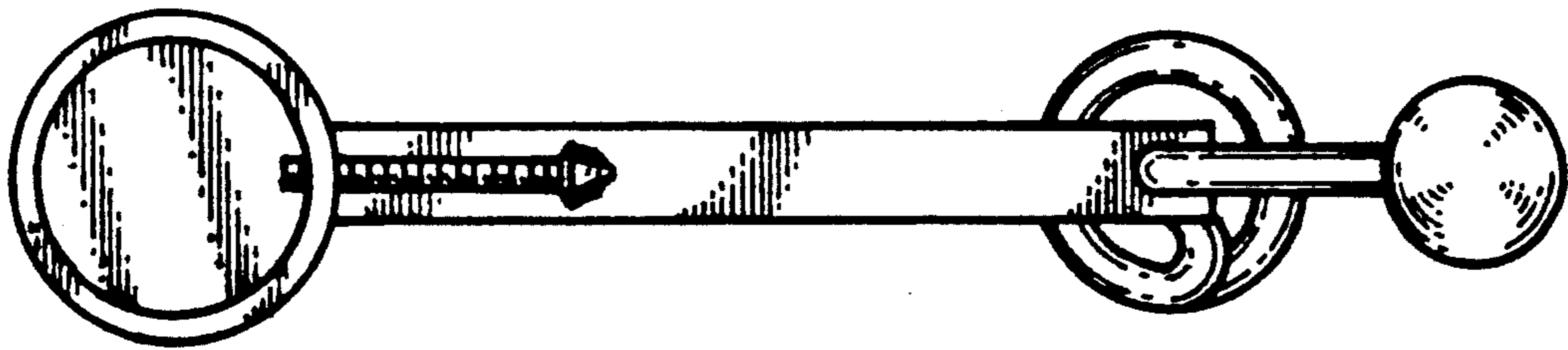


FIG. 6

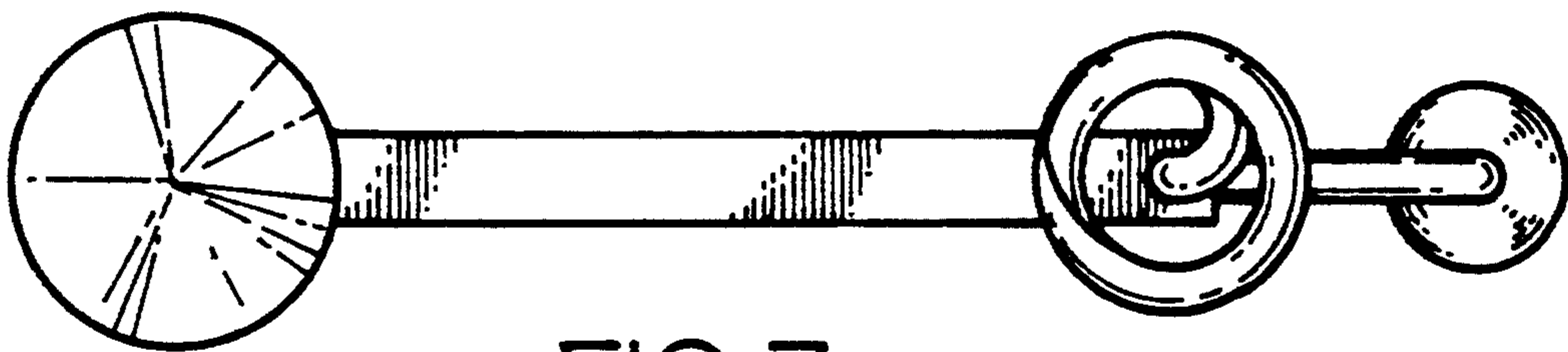


FIG. 7