



US00D347947S

United States Patent [19]

[11] Patent Number: **Des. 347,947**

Donnelly

[45] Date of Patent: **** Jun. 21, 1994**

[54] **PUBLIC SEATING CHAIR**

[75] Inventor: **Philip K. Donnelly, Barto, Pa.**

[73] Assignee: **J. G. Furniture Systems, Inc., Quakertown, Pa.**

[**] Term: **14 Years**

[21] Appl. No.: **882,161**

[22] Filed: **May 12, 1992**

[52] U.S. Cl. **D6/368**

[58] Field of Search **D6/334, 335, 362, 368, D6/375, 380, 500, 501, 502; 297/332, 335**

[56] **References Cited**

U.S. PATENT DOCUMENTS

- D. 183,009 6/1958 Mackintosh D6/375
- D. 206,533 12/1966 Ducharme D6/362
- D. 226,058 1/1973 Woods D6/368
- D. 294,664 3/1988 Clark D6/380

FOREIGN PATENT DOCUMENTS

- 2189682 11/1987 United Kingdom 297/335

OTHER PUBLICATIONS

Sweet's Catalog File, 1981, Section 12.5 A/Am, American Seating Unit at bottom.

American Desk, ©1973, Auditorium/Theatre/-Stadium Seating Section p. 5, Model 2410-04F shown.

American Desk, ©1973, Auditorium/Theatre/-Stadium Seating Section p. 7, Model 2215-14F at top.

"Seating Concepts—Auditorium, Public, Contract and

Classroom Seating"; Seating Concepts brochure; pp. 1-4; (no date).

Sweets Catalog, Section entitled "Public Seating"; pp. 1-63; 1989.

"Auditorium, Theatre, Arena, Stadium, Lecture Room", American Seating Architectural Products Group brochure; pp. 1-12; (1989).

"JG Furniture Systems Auditorium Seating", J. G. Furniture Systems, Inc. brochure; pp. 1-7; (1987).

"Auditorium Seating", JG Furniture Systems, Inc. brochure; pp. 1-7; (1985).

Primary Examiner—Alan P. Douglas

Assistant Examiner—Gary D. Watson

Attorney, Agent, or Firm—Nixon & Vanderhye

[57] **CLAIM**

The ornamental design for a public seating chair, as shown and described.

DESCRIPTION

FIG. 1 is a top plan view showing a main embodiment of the invention;

FIG. 2 is a bottom plan view thereof;

FIG. 3 is a front elevation view thereof;

FIG. 4 is a rear elevation view thereof;

FIG. 5 is a left side elevation thereof, the right side elevation being a mirror image thereof;

FIG. 6 is a left front perspective thereof;

FIG. 7 is a left front perspective thereof, with the seat component rotated to a non-use position;

FIG. 8 is a rear elevation of a second embodiment of the invention; and,

FIG. 9 is a front elevation of the second embodiment, with the seat component raised to a non-use position.

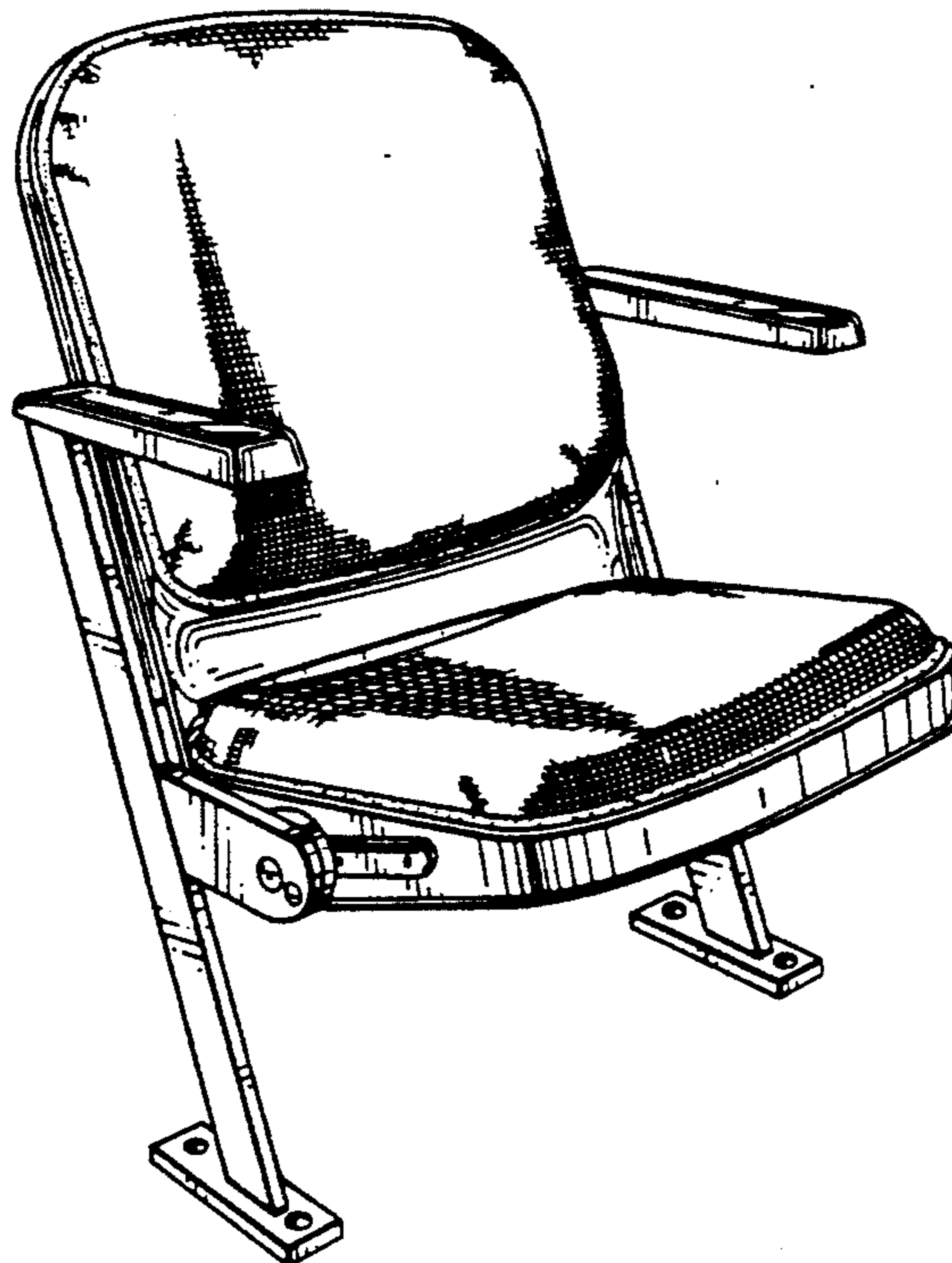


FIG. 2

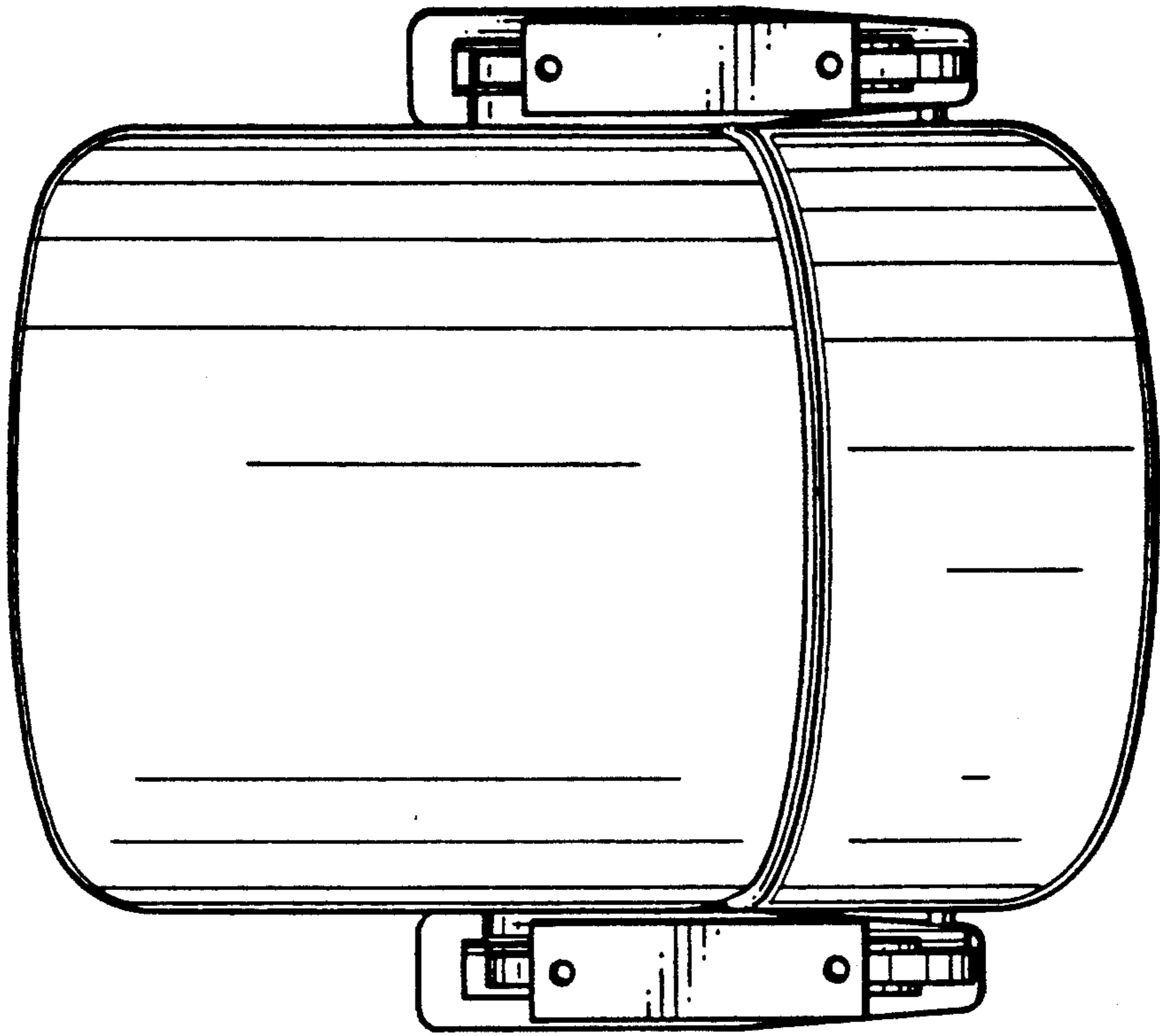


FIG. 1

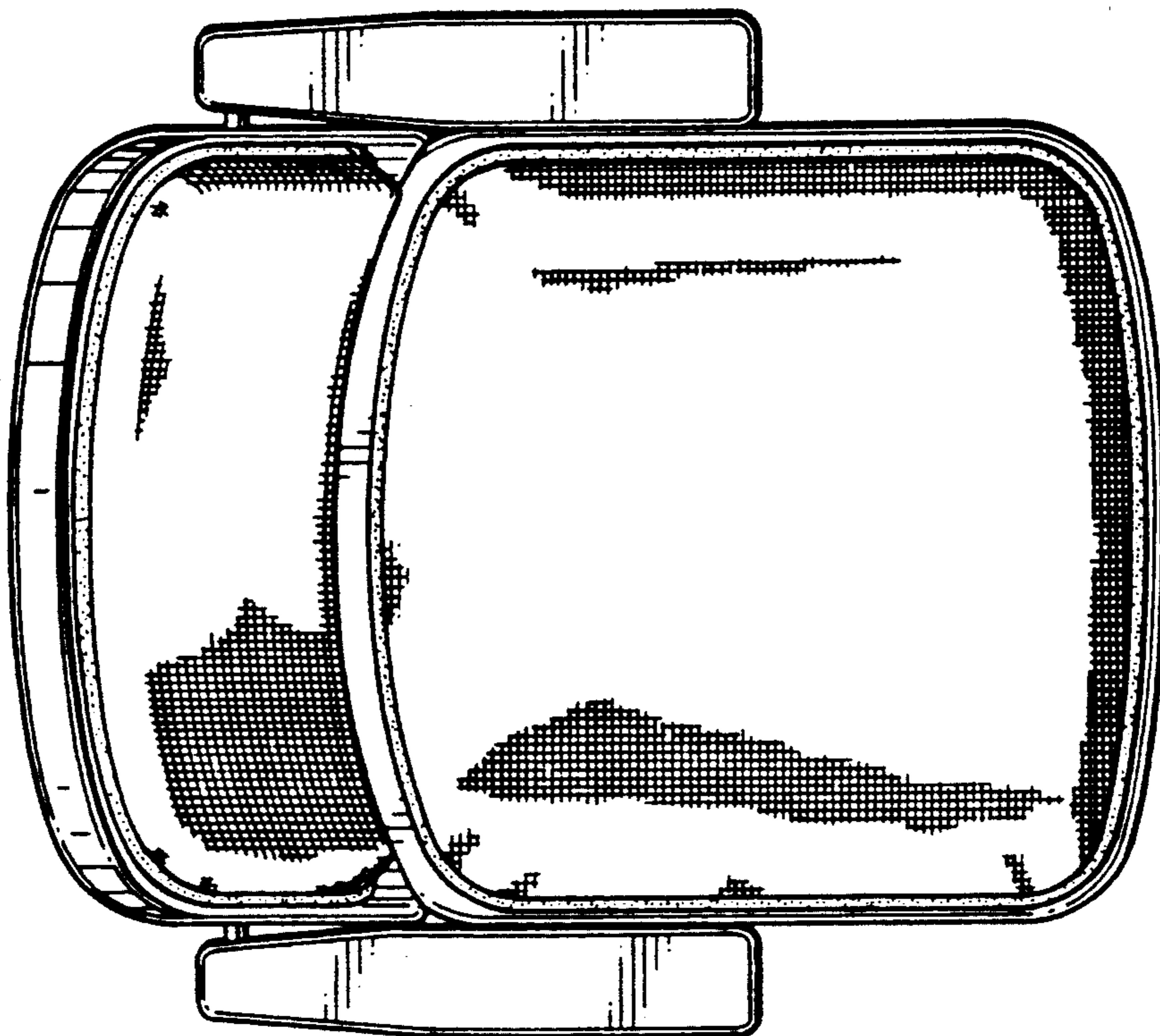


FIG. 4

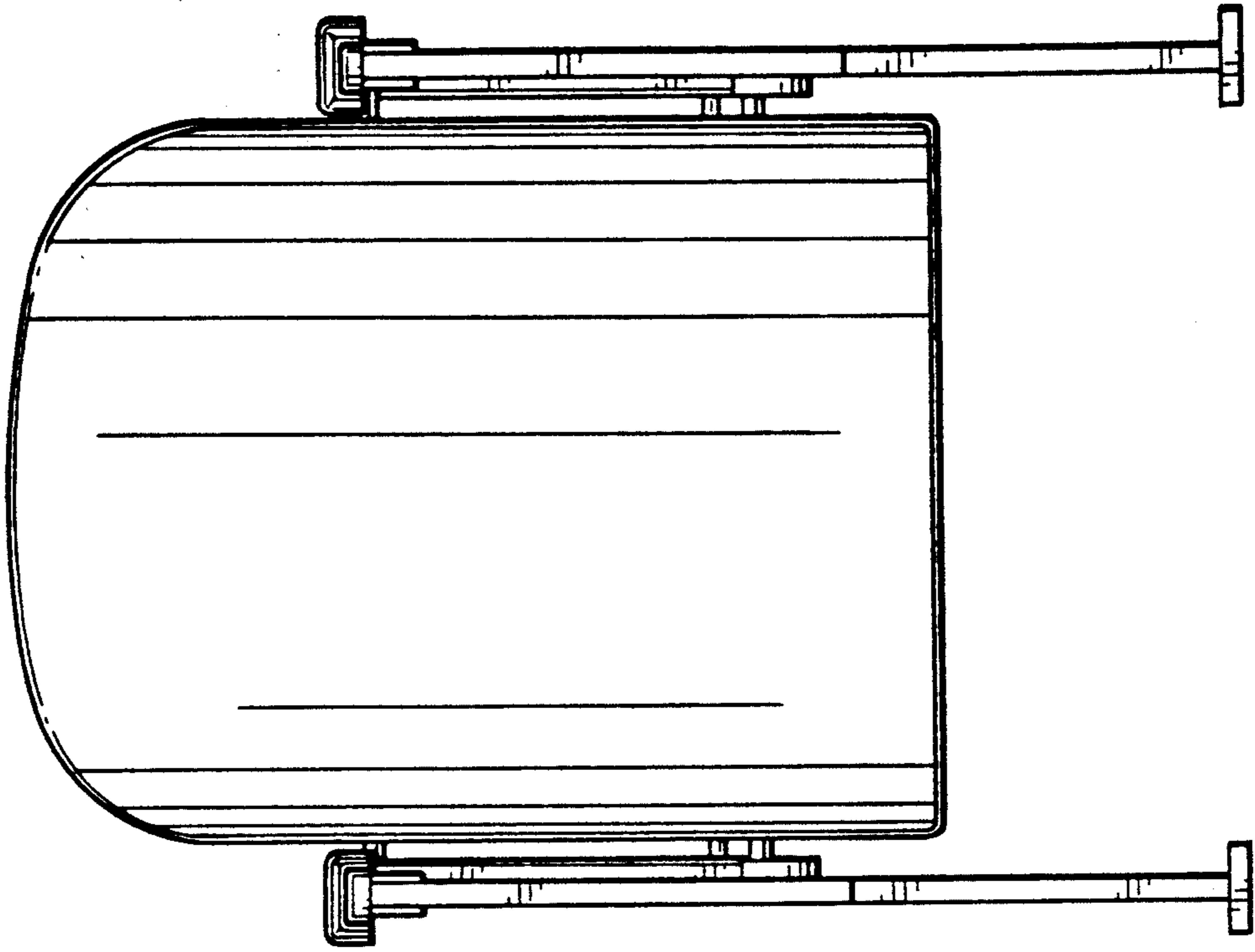


FIG. 3

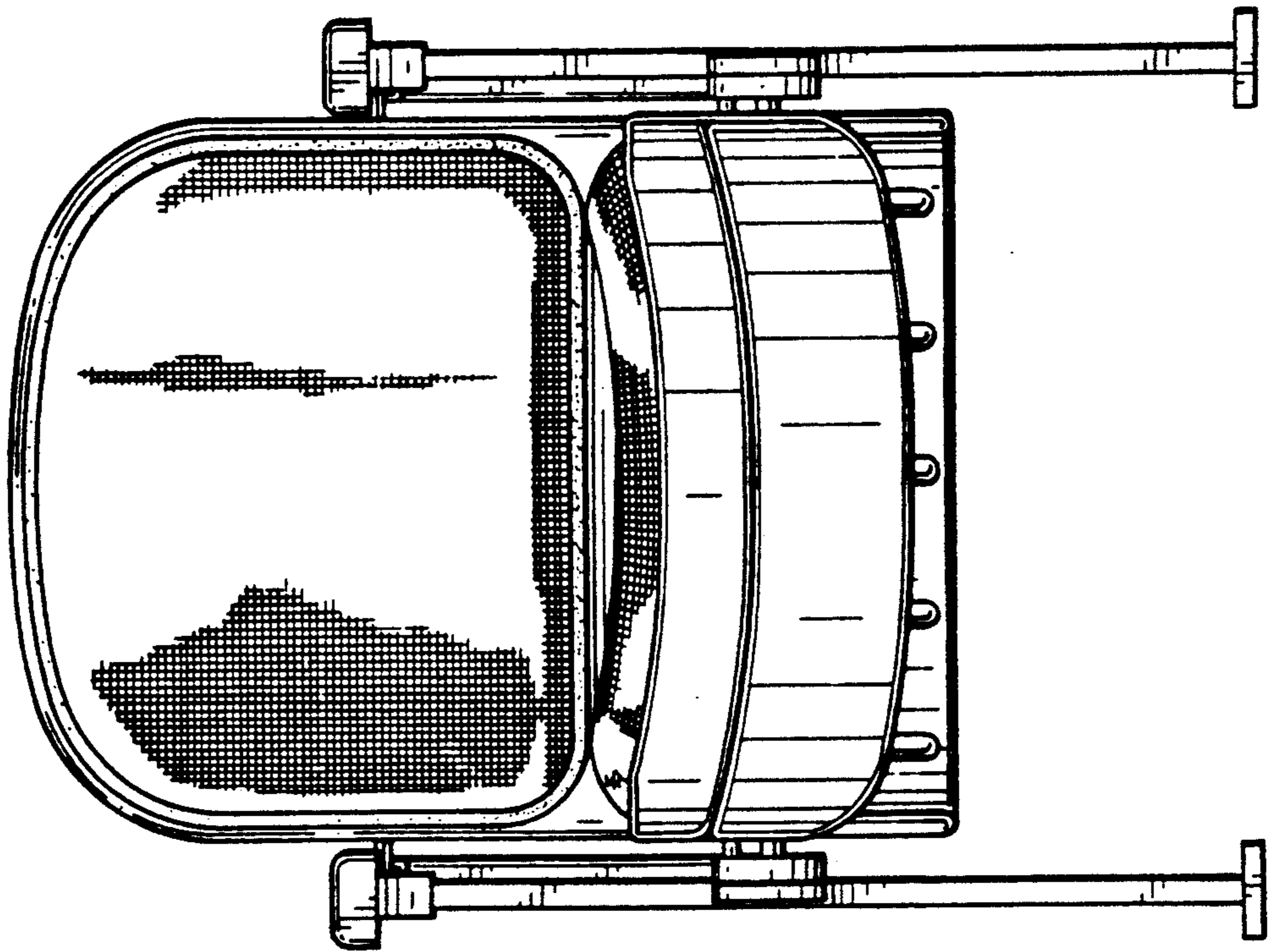


FIG. 8

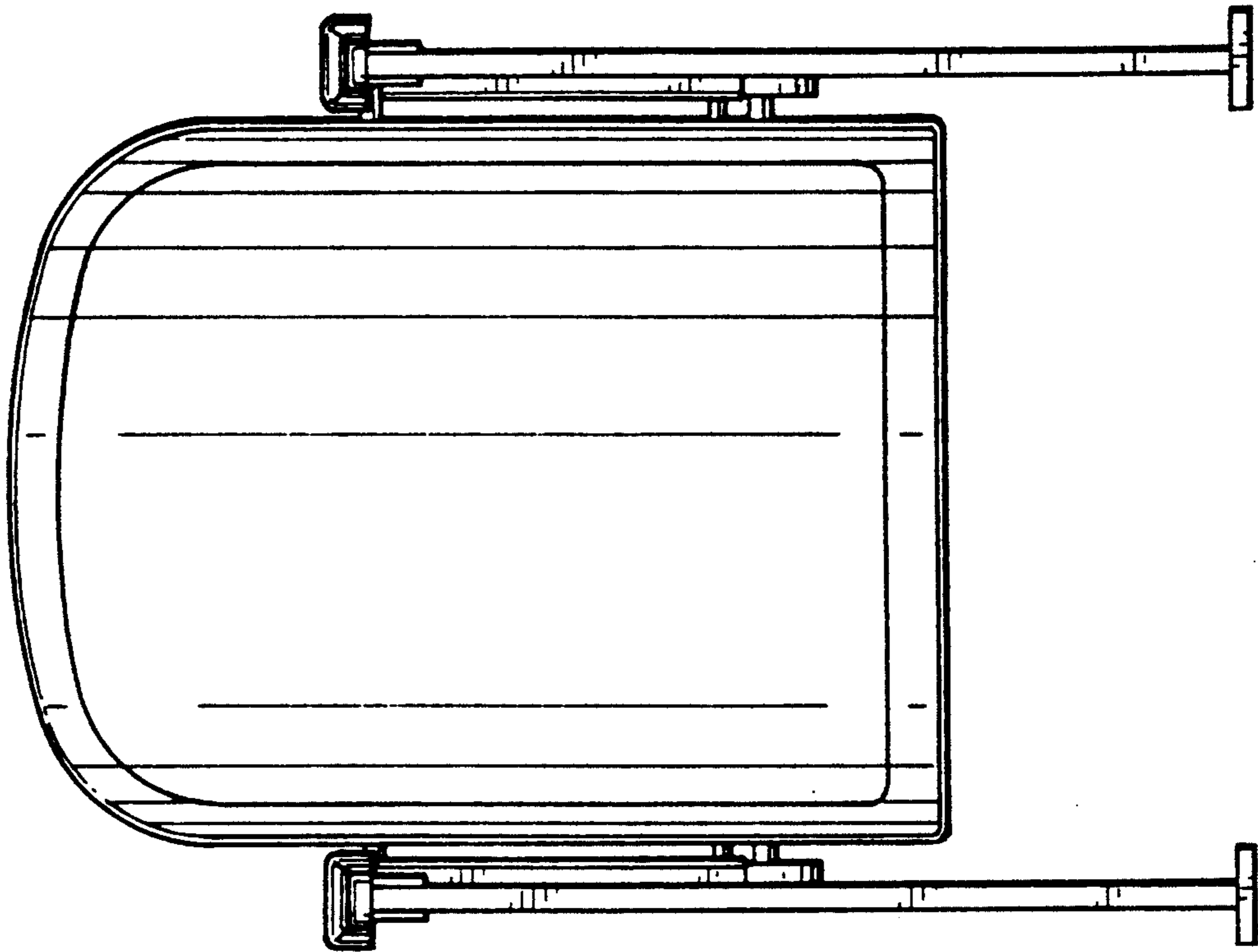


FIG. 5

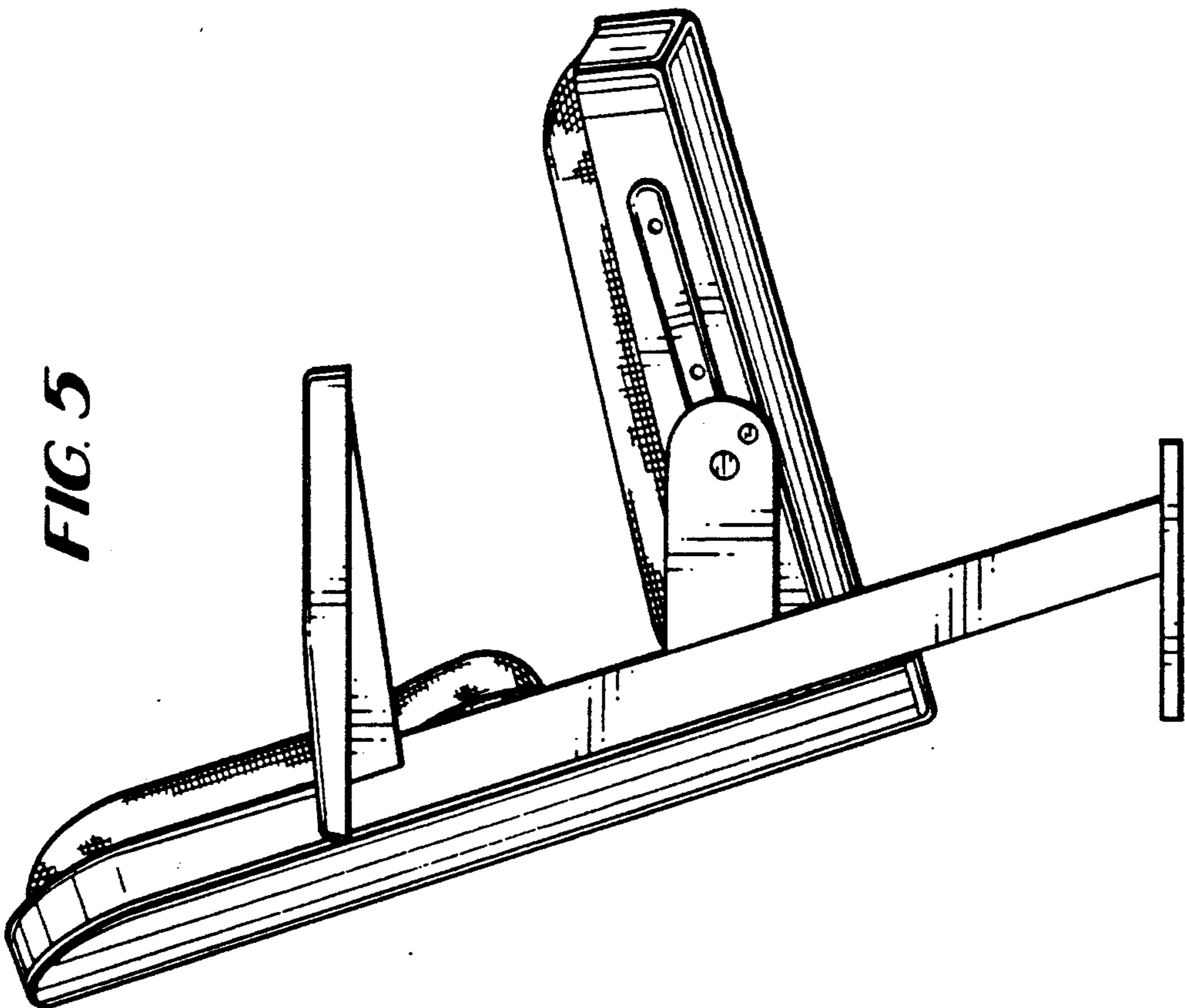


FIG. 7

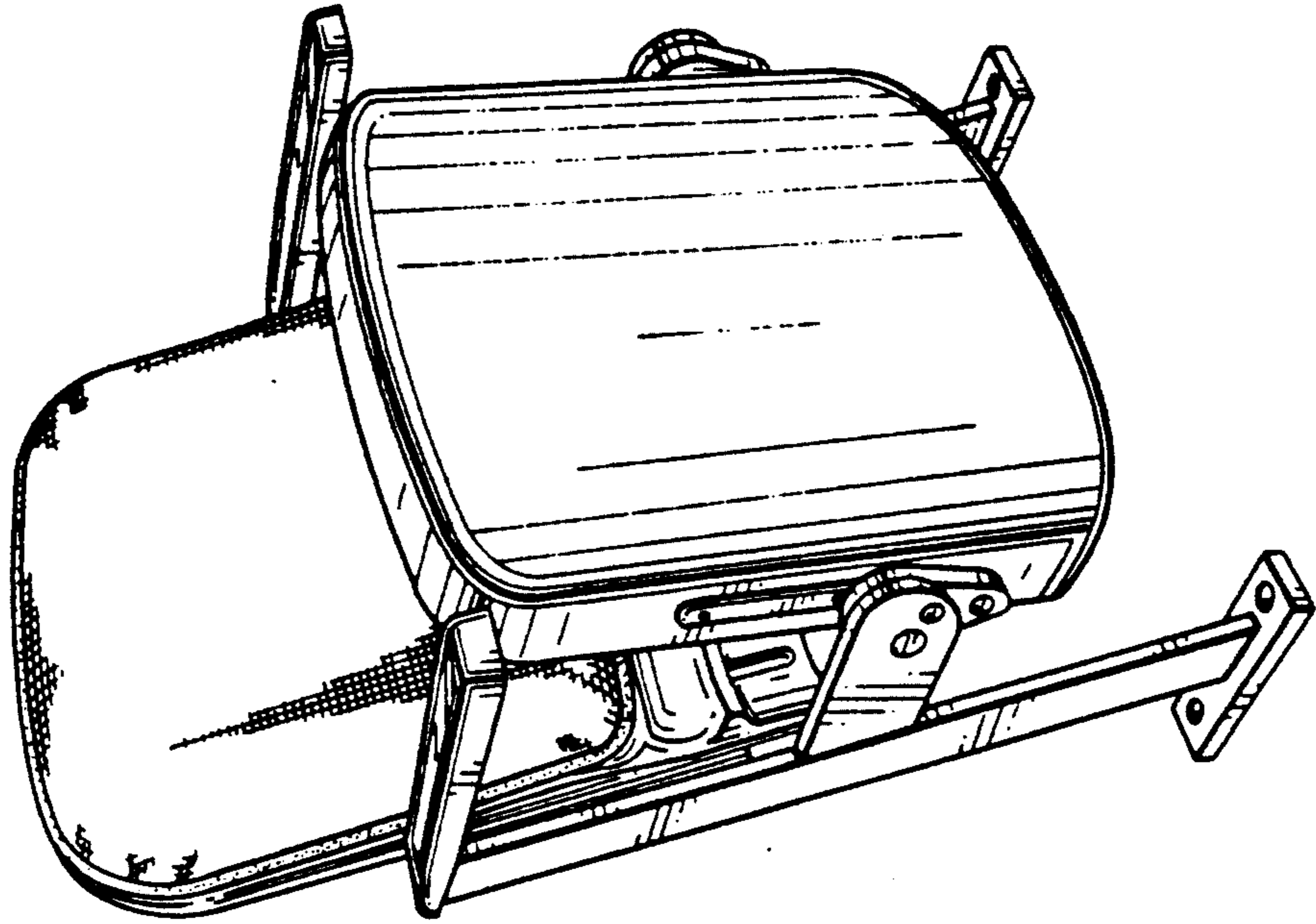


FIG. 6

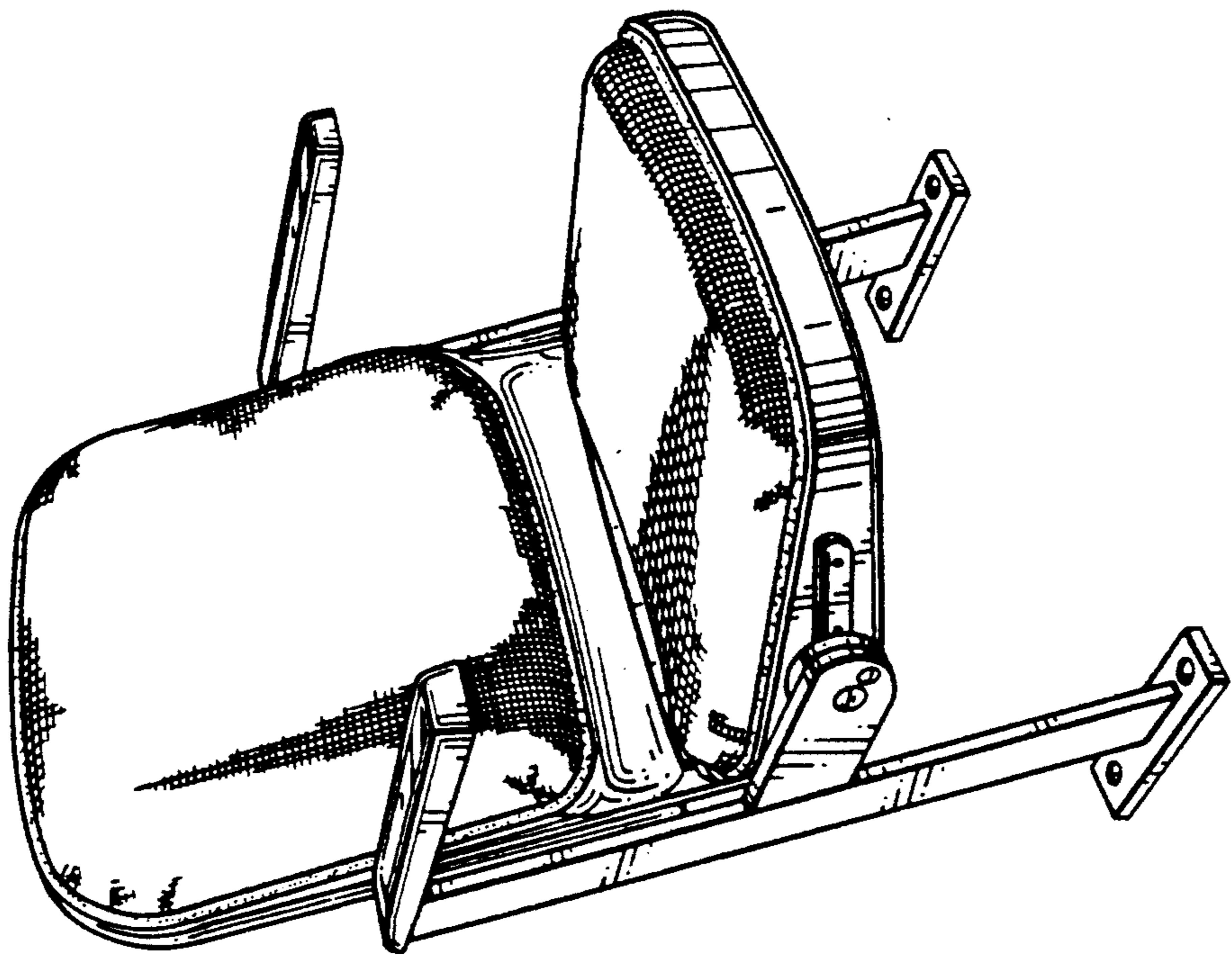


FIG. 9

