



US00D347946S

# United States Patent [19]

[11] Patent Number: **Des. 347,946**

Nordstrom et al.

[45] Date of Patent: **\*\* Jun. 21, 1994**

## [54] DENTAL CHAIR

[75] Inventors: **Carl G. Nordstrom**, Lake Oswego;  
**Paul B. Krebs**, Newberg, both of  
Oreg.

[73] Assignee: **A-Dec, Inc.**, Newberg, Oreg.

[\*\*] Term: **14 Years**

[21] Appl. No.: **9,395**

[22] Filed: **Jun. 10, 1993**

### Related U.S. Application Data

[63] Continuation-in-part of Ser. No. 929,725, Aug. 13, 1992, abandoned.

[52] U.S. Cl. .... **D6/367; D6/360; D6/361; D24/183**

[58] Field of Search ..... **D6/334, 360, 361, 364, D6/367, 379, 500, 501, 502; 297/193, 344.15, 344.17; D24/183**

### [56] References Cited

#### U.S. PATENT DOCUMENTS

Re. 30,648	6/1981	Ohlrogge et al. .	
D. 181,048	9/1957	Golden .....	D6/360
D. 189,845	3/1961	Graham .....	D6/361
D. 199,978	1/1965	Carnese .	
D. 223,489	4/1972	Olsen .....	D6/360
D. 237,327	10/1975	Collins et al. ....	D6/361
D. 238,317	1/1976	Schoeller et al. ....	D6/361
D. 241,386	9/1976	Lawrence .....	D6/361
D. 268,149	3/1983	Case .....	D6/360
D. 333,736	3/1993	Nordstrom .	
D. 336,381	6/1993	Nordstrom .....	D6/367
3,338,632	8/1967	Kleinsorge .	
3,414,324	12/1968	Taylor et al. .	
3,524,256	8/1970	Barker .	
3,653,125	4/1972	Heubeck .	
3,719,391	3/1973	Neri .	
3,762,051	10/1973	Valeska .	
3,866,973	2/1975	Heubeck .....	D6/361 X
4,128,797	12/1978	Murata .	

(List continued on next page.)

#### FOREIGN PATENT DOCUMENTS

226572	12/1973	Fed. Rep. of Germany .
2736276	11/1978	Fed. Rep. of Germany .
2147728	6/1980	Fed. Rep. of Germany .

## OTHER PUBLICATIONS

Anthos "Teseo" six-page brochure circa Jan. 1992.  
A-Dec 117-page equipment catalog, cover and pp. 21-38, Jan. 1991.

(List continued on next page.)

*Primary Examiner*—Alan P. Douglas  
*Assistant Examiner*—Gary D. Watson  
*Attorney, Agent, or Firm*—Klarquist Sparkman  
Campbell Leigh & Whinston

## [57] CLAIM

The ornamental design for a dental chair, as shown and described.

## DESCRIPTION

FIG. 1 is a left side perspective view of a dental chair showing our design, showing the chair in an upright position;

FIG. 2 is a right side perspective view of the chair of FIG. 1;

FIG. 3 is a front view of the chair of FIG. 1;

FIG. 4 is a back view of the chair of FIG. 1;

FIG. 5 is a front view of the chair, showing the chair in a reclined position;

FIG. 6 is a right side perspective view of the chair, which view includes an alternative embodiment of the design to include an auxiliary component located adjacent to the lower right portion of the chair; the left side view of the alternative embodiment in FIG. 6 being a mirror image thereof;

FIG. 7 is a left side elevation view of the FIG. 1 chair, showing the chair in an upright position;

FIG. 8 is a top plan view of the FIG. 1 chair, showing the chair in a reclined position;

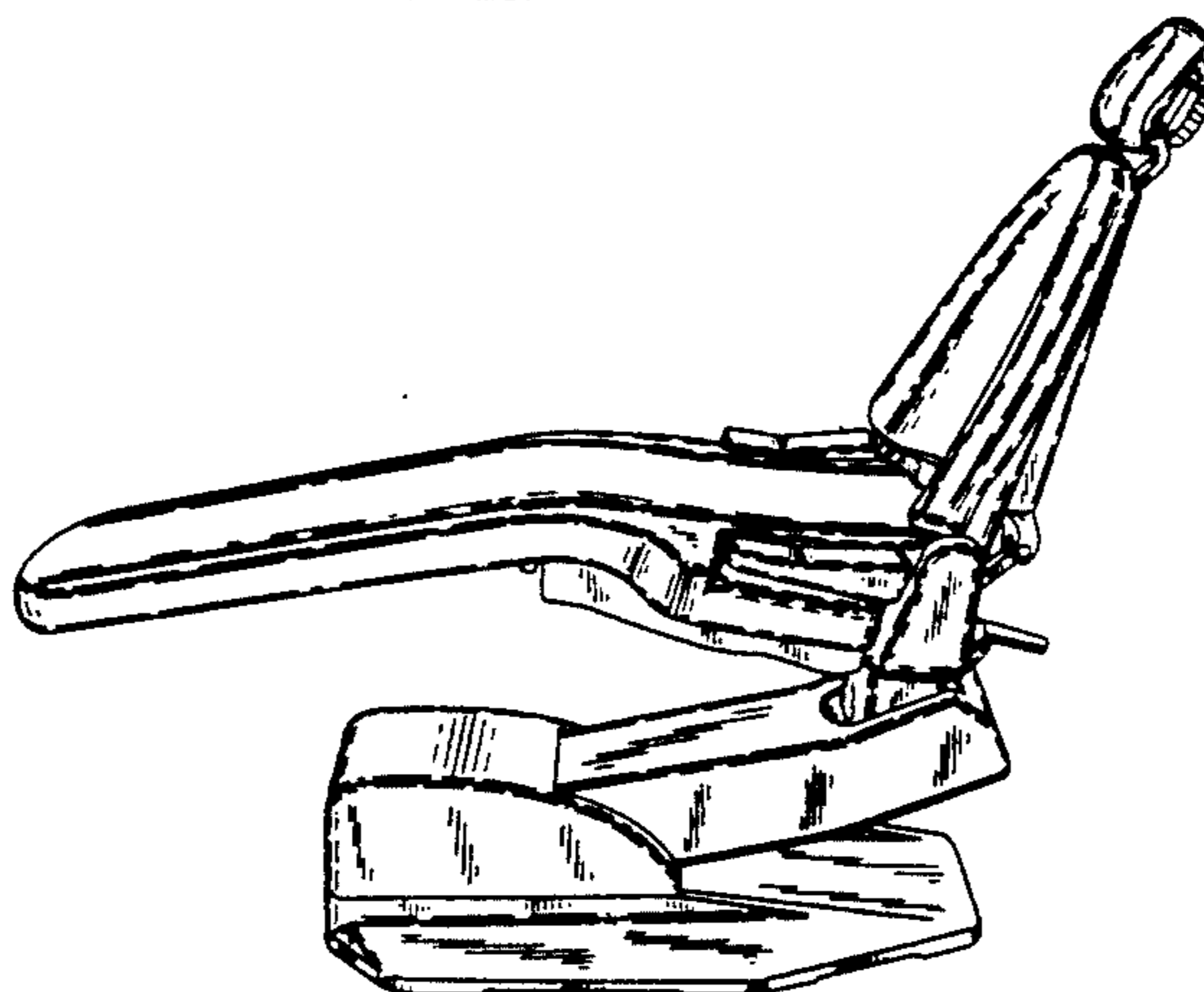
FIG. 9 is a right side elevation view of the FIG. 1 chair, showing the chair in a reclined position;

FIG. 10 is a left side elevation view of the FIG. 1 chair, showing the chair in a reclined position;

FIG. 11 is a top plan view of the FIG. 1 chair, showing the chair in an upright position;

FIG. 12 is a right side elevation view of the FIG. 1 chair, showing the chair in an upright position; and,

FIG. 13 is a bottom plan view of the FIG. 1 chair, showing the chair in an upright position.



## U.S. PATENT DOCUMENTS

4,173,372 11/1979 Norris .  
 4,312,538 1/1982 Kennedy et al. .  
 4,527,976 7/1985 Behringer et al. .  
 4,541,671 9/1985 Broadhead et al. .  
 4,678,229 7/1987 Ryan et al. .  
 4,878,709 11/1989 Okamoto .  
 4,929,023 5/1990 Rasmussen .  
 5,190,349 3/1993 Austin, Jr. et al. .  
 5,236,244 8/1993 Rice ..... 297/193

## OTHER PUBLICATIONS

A-Dec® brochure, "The A-Dec Priority Chair: Beauty Goes to Work," A-Dec, Inc., 10 pp. (1989).  
 DEN-TAL-EZ fact sheet, "E2000 Chair," DEN-TAL-EZ, Inc. 2 pp. undated.  
 Belmont Dental brochure, 3 pp. (in Japanese) undated.  
 Fimet OY brochure, "F1 State of the Art," Monninkylä, Finland 6 pp., undated.  
 Deckers Dental information sheet, "Flex Integral," D.D.G. Priquet, Denmark (in French), undated.  
 A-Dec brochure, "A-Dec's New Decade 1015 Chair," A-Dec, Inc. 8 pp., undated.  
 KaVo brochure, "KaVo SYSTEMATICA® 1060," KaVo-France, 4 pp. (in French), undated.  
 Siemens brochure, "High Technology and Service to Dentistry," Siemens Aktiengesellschaft Medical Engineering Group, Federal Republic of Germany, 6 pp. (1991).  
 Planmeca Inc. brochure, "PM 2002 CC," Planmeca Inc., Wood Dale, Illinois, 8 pp. (1990).  
 A-Dec "Preference" six-page brochure circa Sep. 1982.

A-Dec "Century" one-page advertisement circa Jan. 1977.  
 A-Dec "Century" two-page brochure circa Jan. 1978.  
 Dentech 32-page catalog, cover and pp. 2-4, circa Jan. 1991.  
 Ampco Dental Products four-page brochure circa Jan. 1991.  
 Signo "Grand" 18-page Japanese language brochure, cover and pp. 1-12, circa Jan. 1991.  
 Takara Belmont 50-page Japanese language dental equipment catalog, cover and pp. 26-29, circa Jan. 1991.  
 A-Dec "J-Dec" two-page Japanese language brochure circa Jan. 1991.  
 Pelton and Crane one-page brochure circa Jan. 1991.  
 Takara Belmont 36-page Japanese language brochure, cover and pp. 16-24, circa Jan. 1991.  
 A-Dec "Priority" eight-page brochure, cover and pp. 1-5, circa Jan. 1989.  
 KaVo "Estetica® 1042" German language 13-page brochure circa Jan. 1991.  
 A-Dec 121-page catalog, cover and pp. 21-40, circa Sep. 1991.  
 Pelton and Crane "Spirit" two-page brochure circa Jan. 1991.  
 Technodent brochure, "2009, Prima ed Unica," Bologna, Italy 2 pp., 1986 (in Italian).  
 A-Dec® Equipment Catalog, 4 pp., A-Dec, Inc., Sep. 1991.  
 Royal brochure, "Royal Sixteen Plush," Royal Dental Manufacturing, Incorporated, 2 pp., undated.



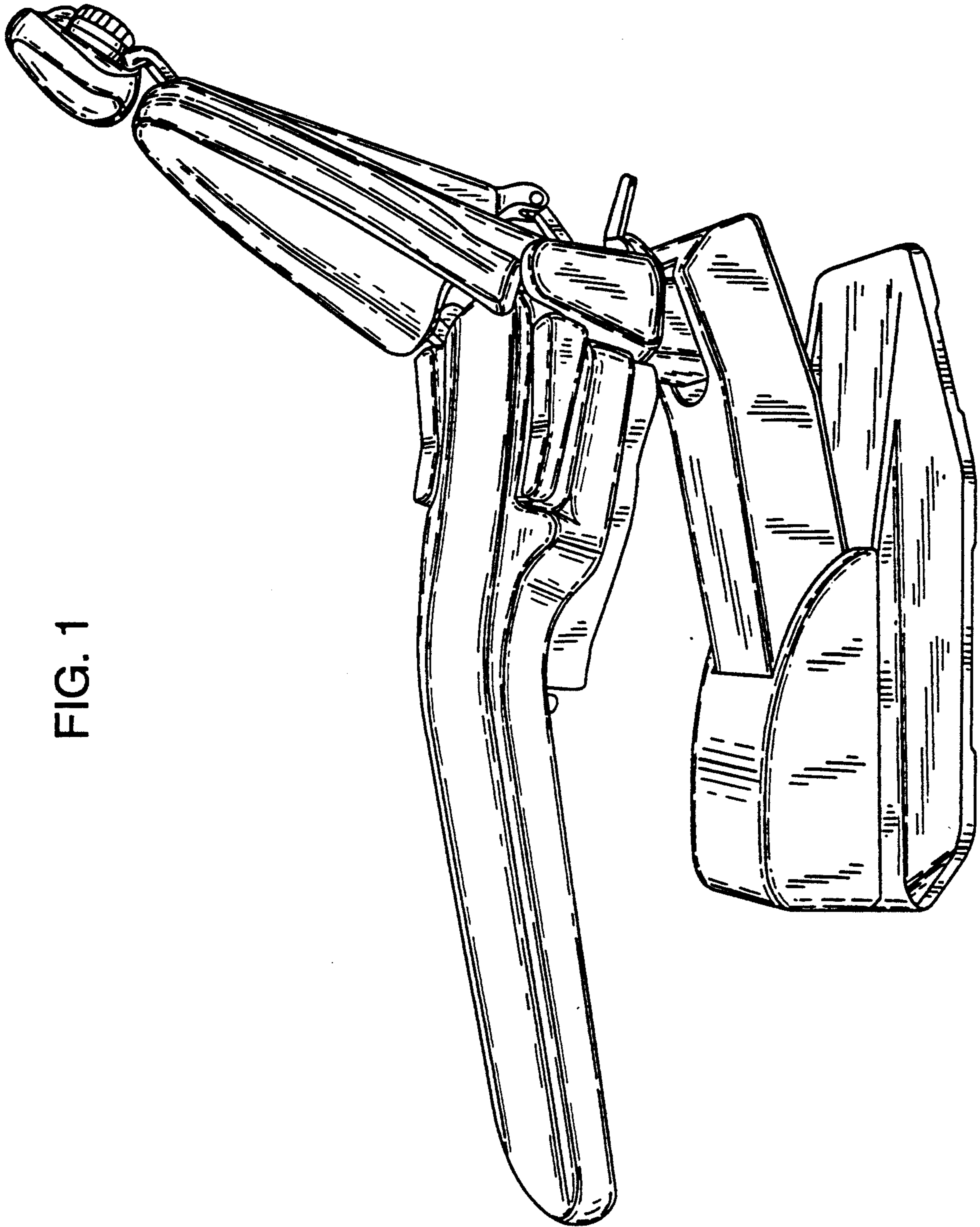


FIG. 1

FIG. 2

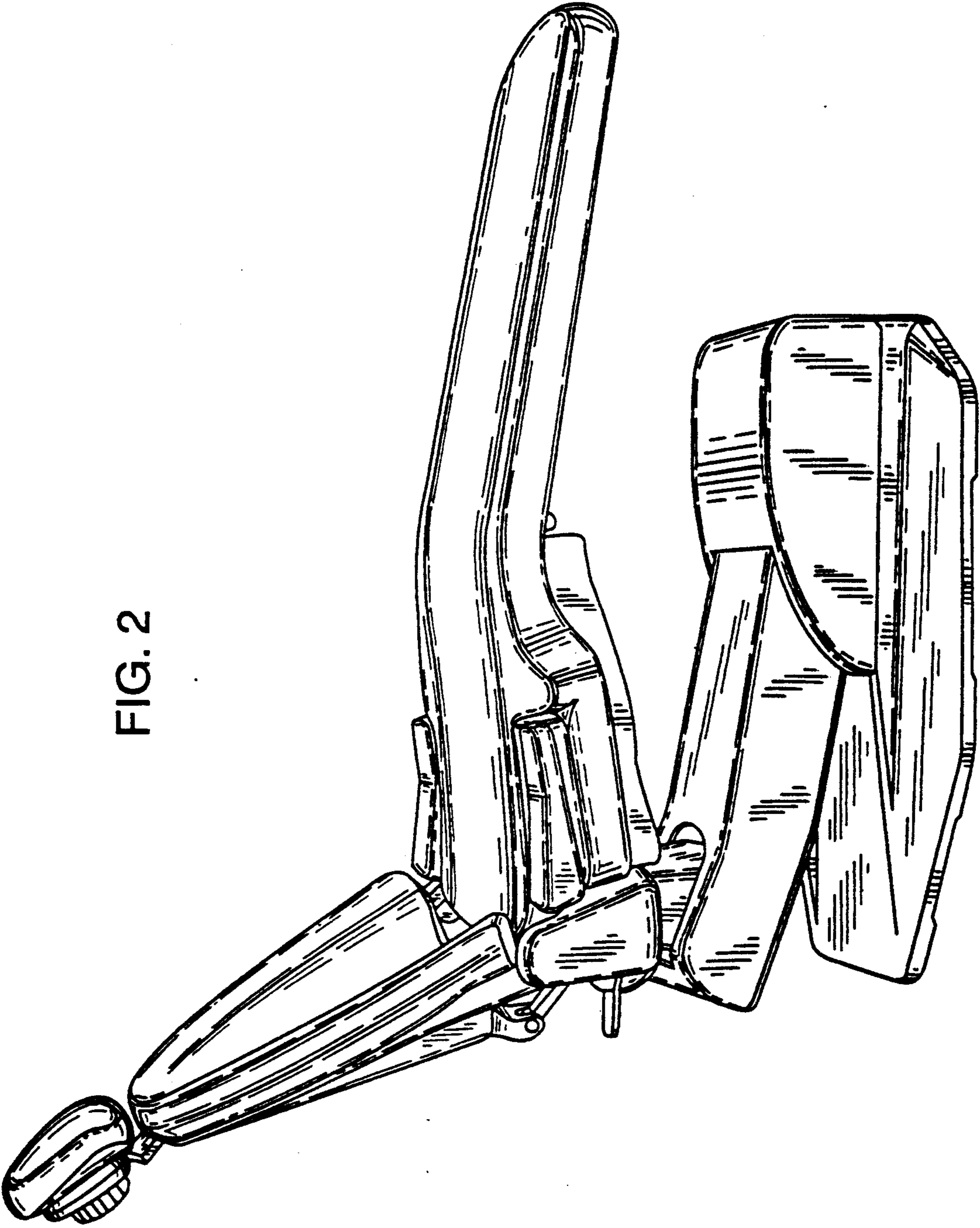


FIG. 3

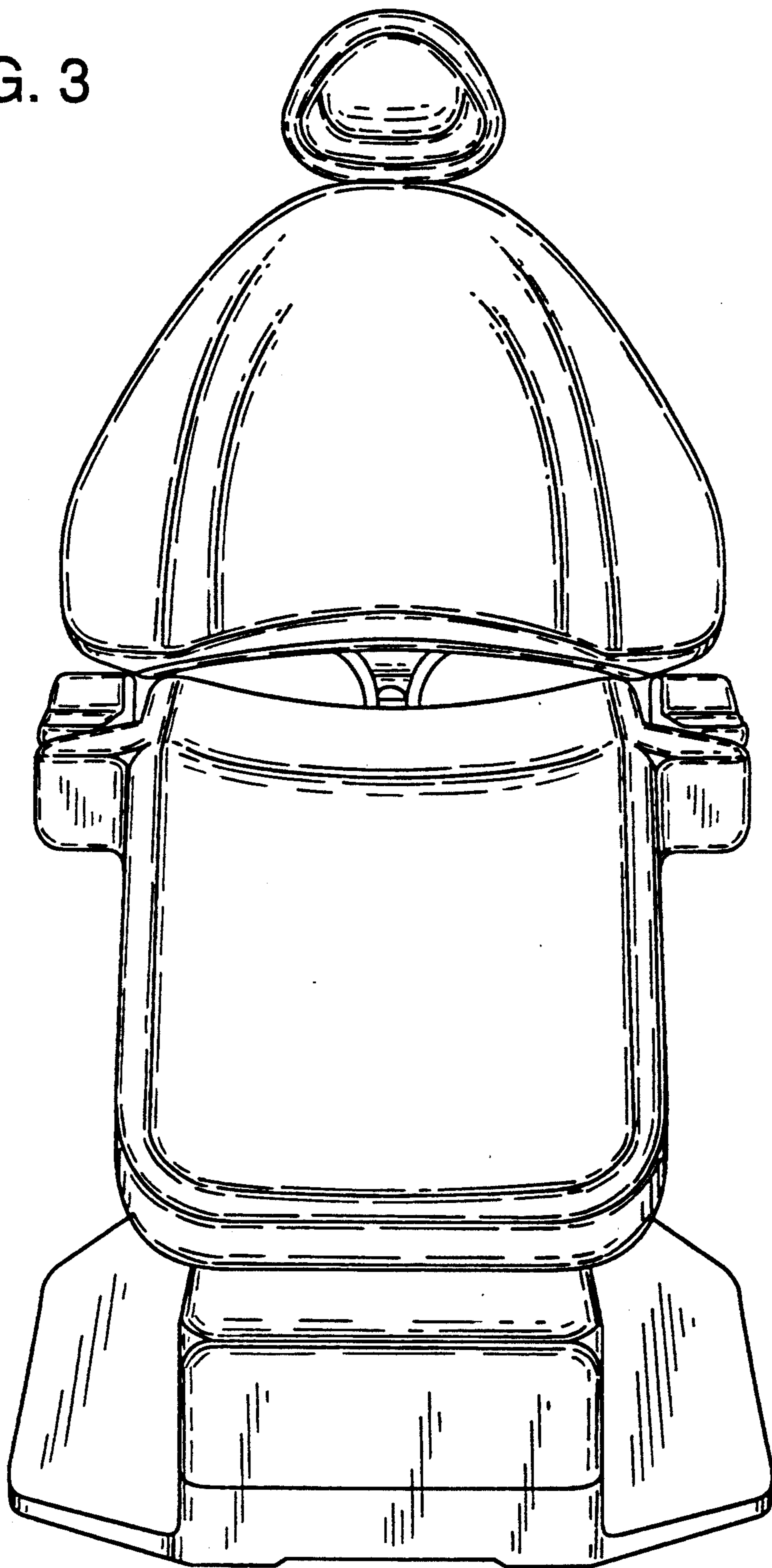




FIG. 4

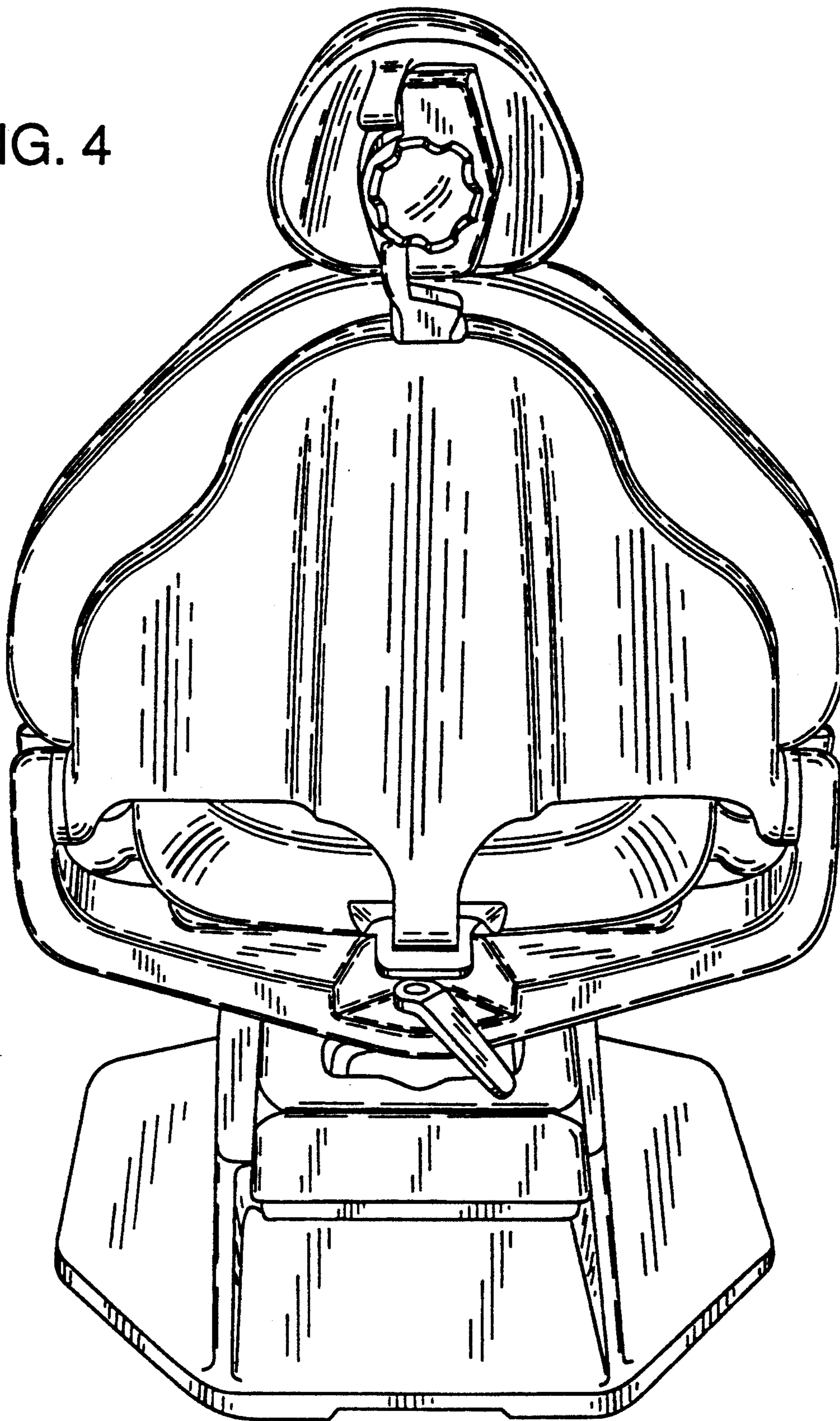


FIG. 5

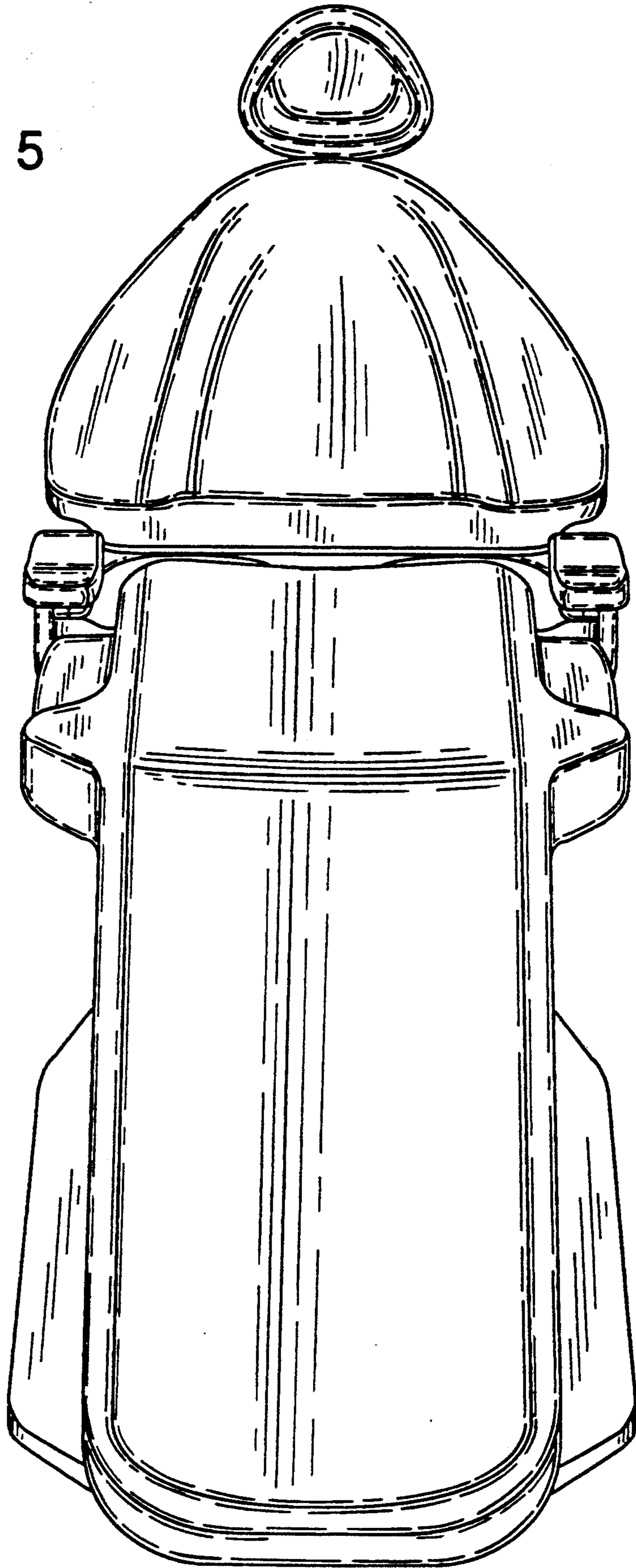


FIG. 6

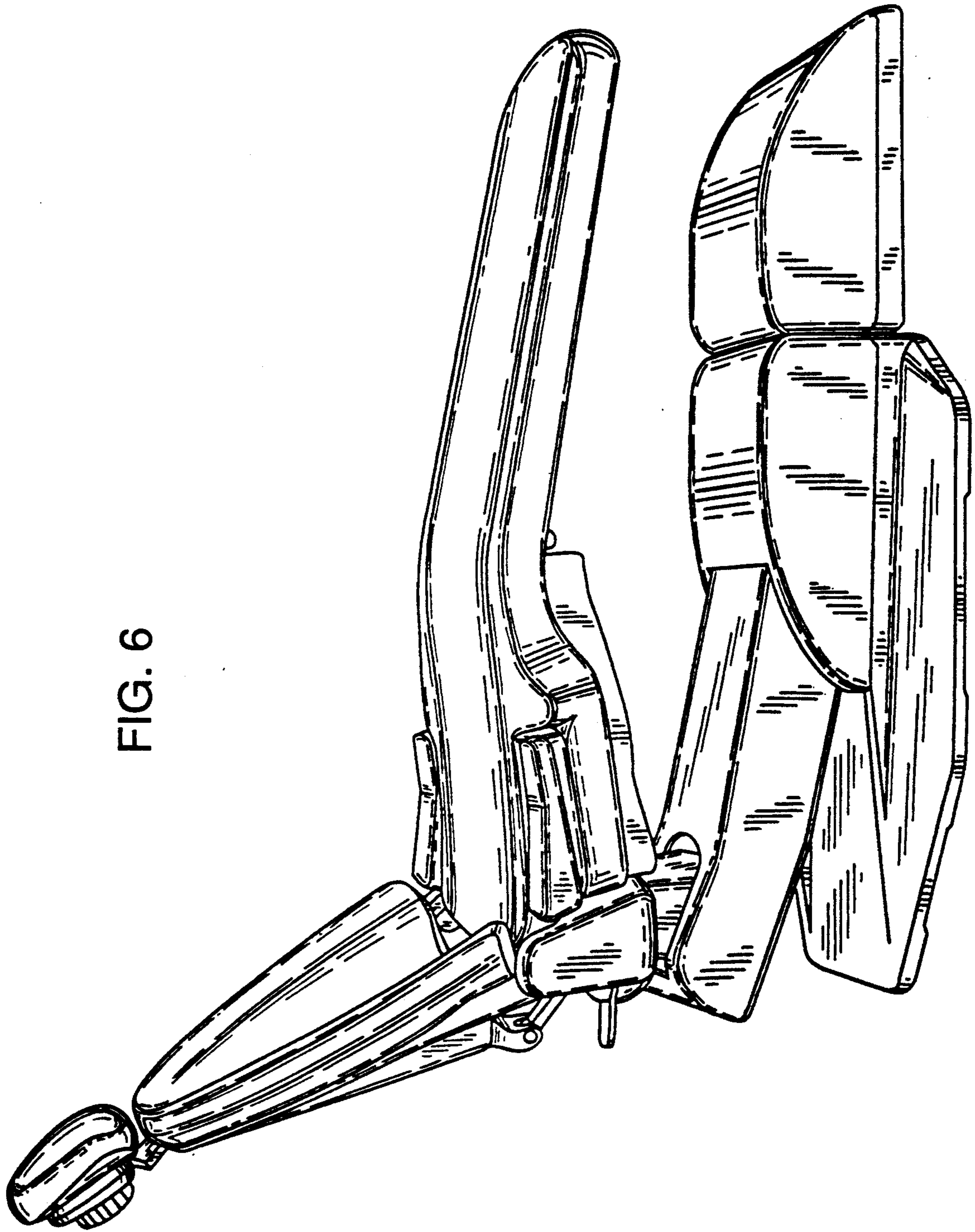




FIG. 7

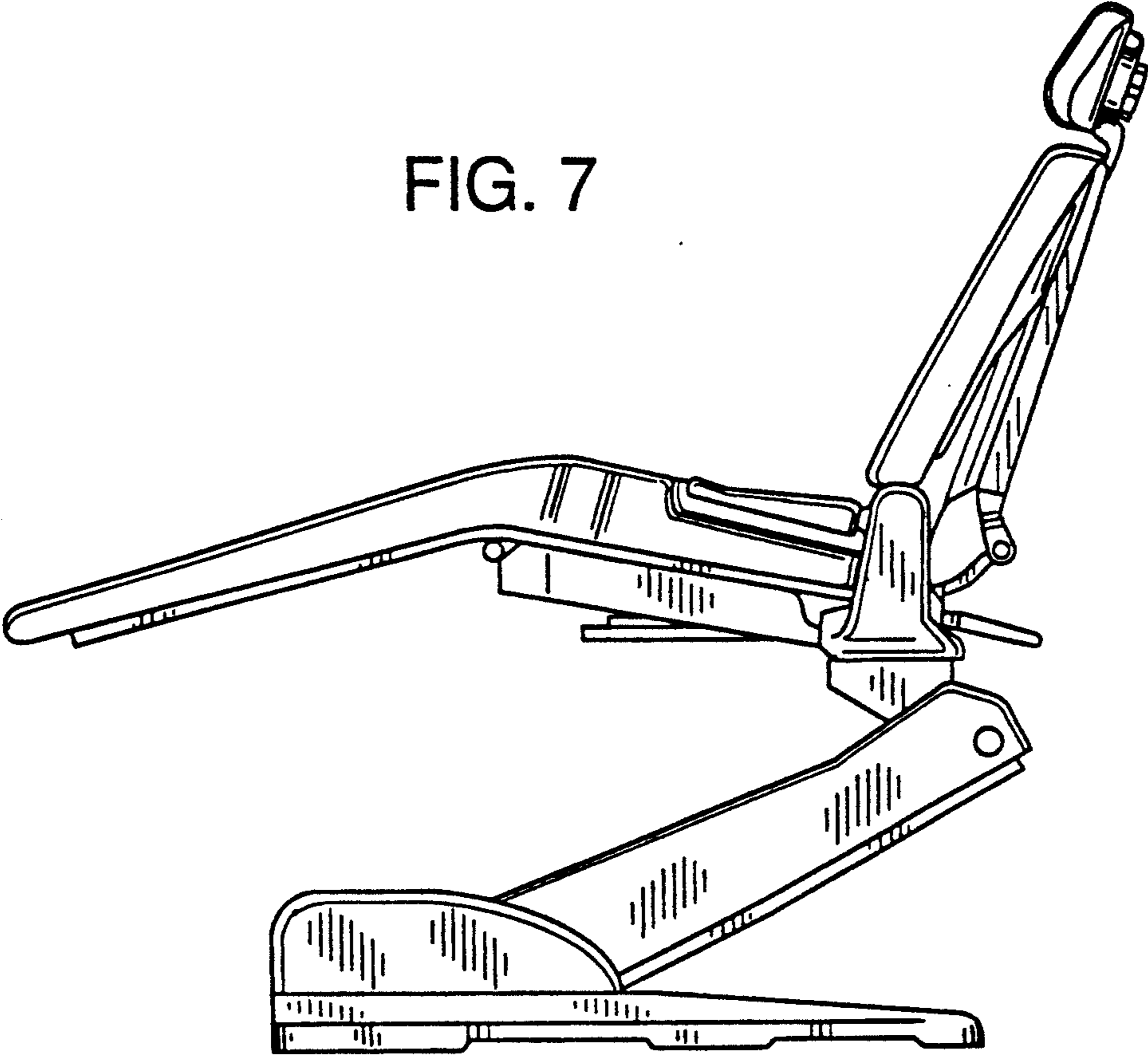


FIG. 8

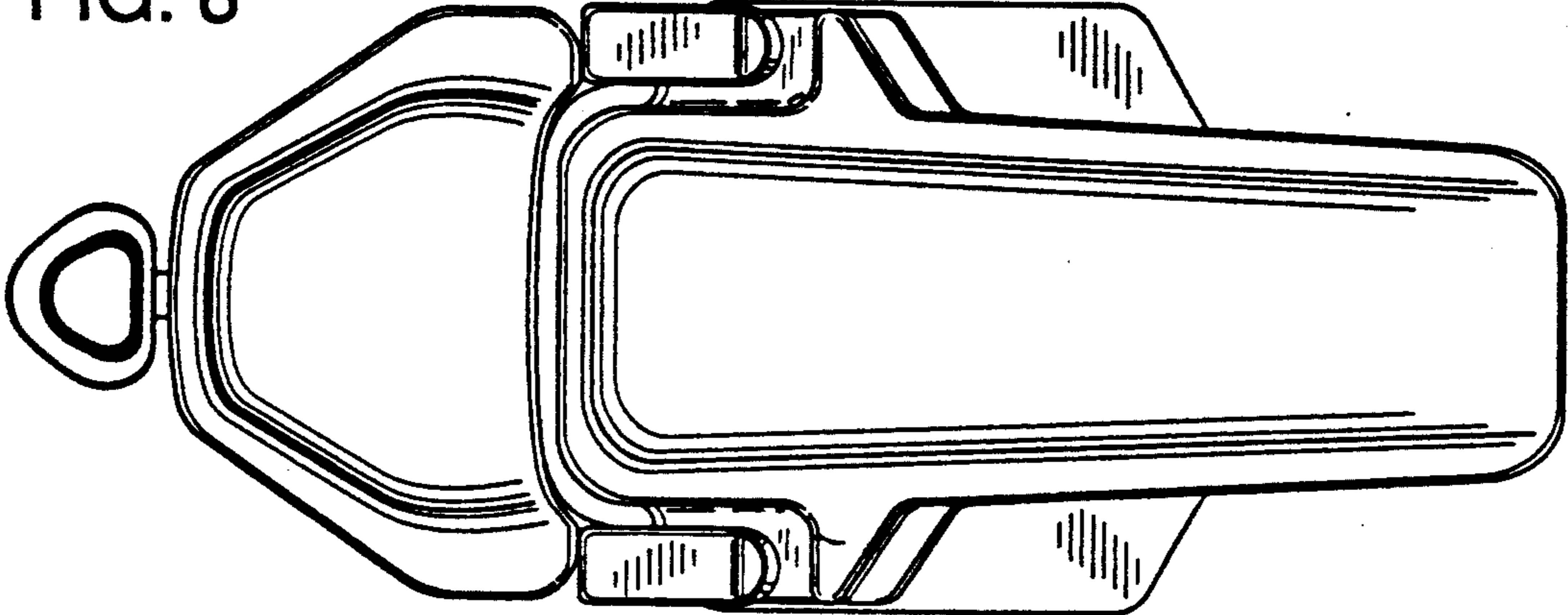


FIG. 9

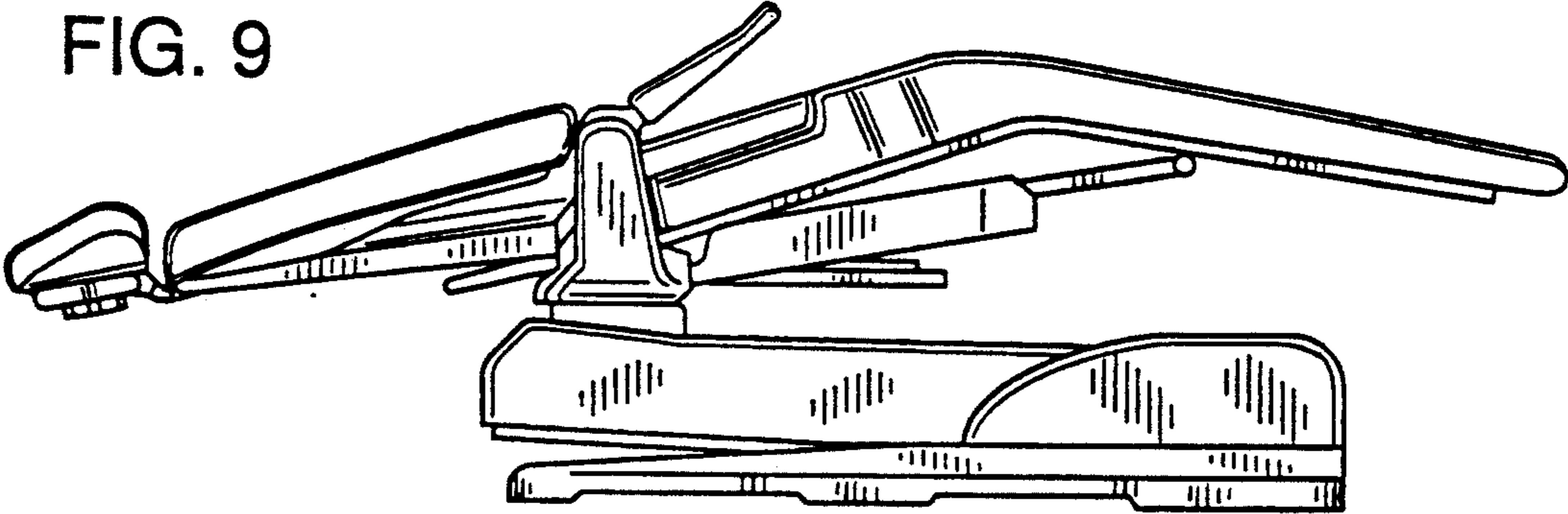


FIG. 10

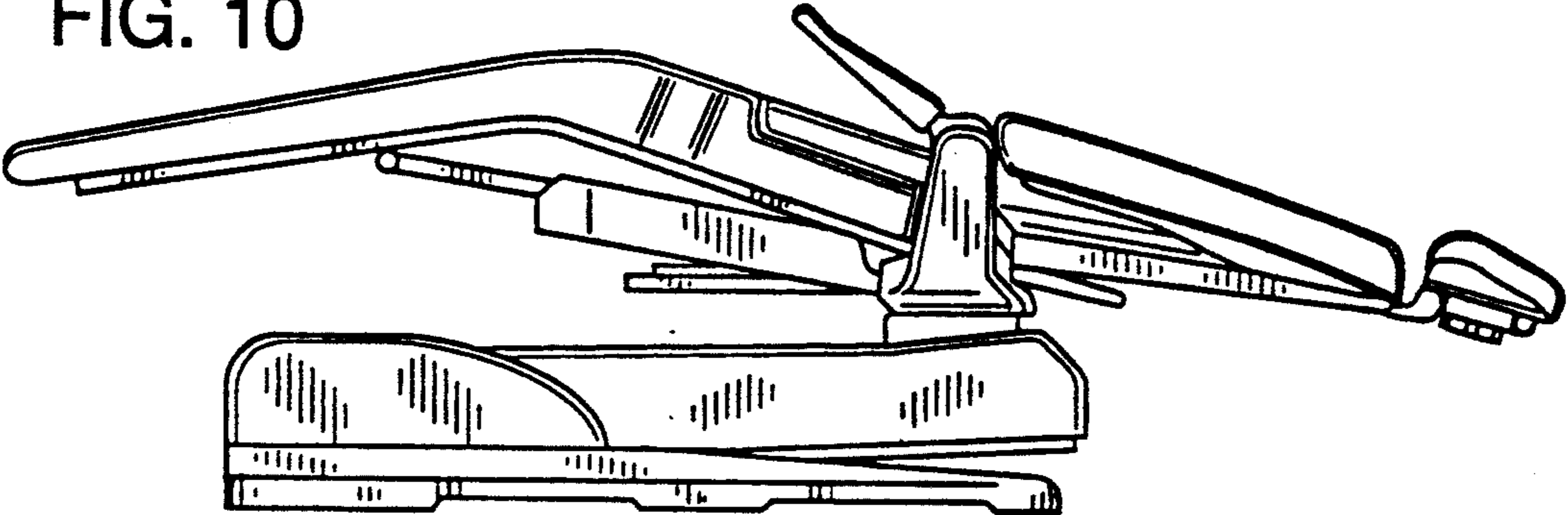


FIG. 11

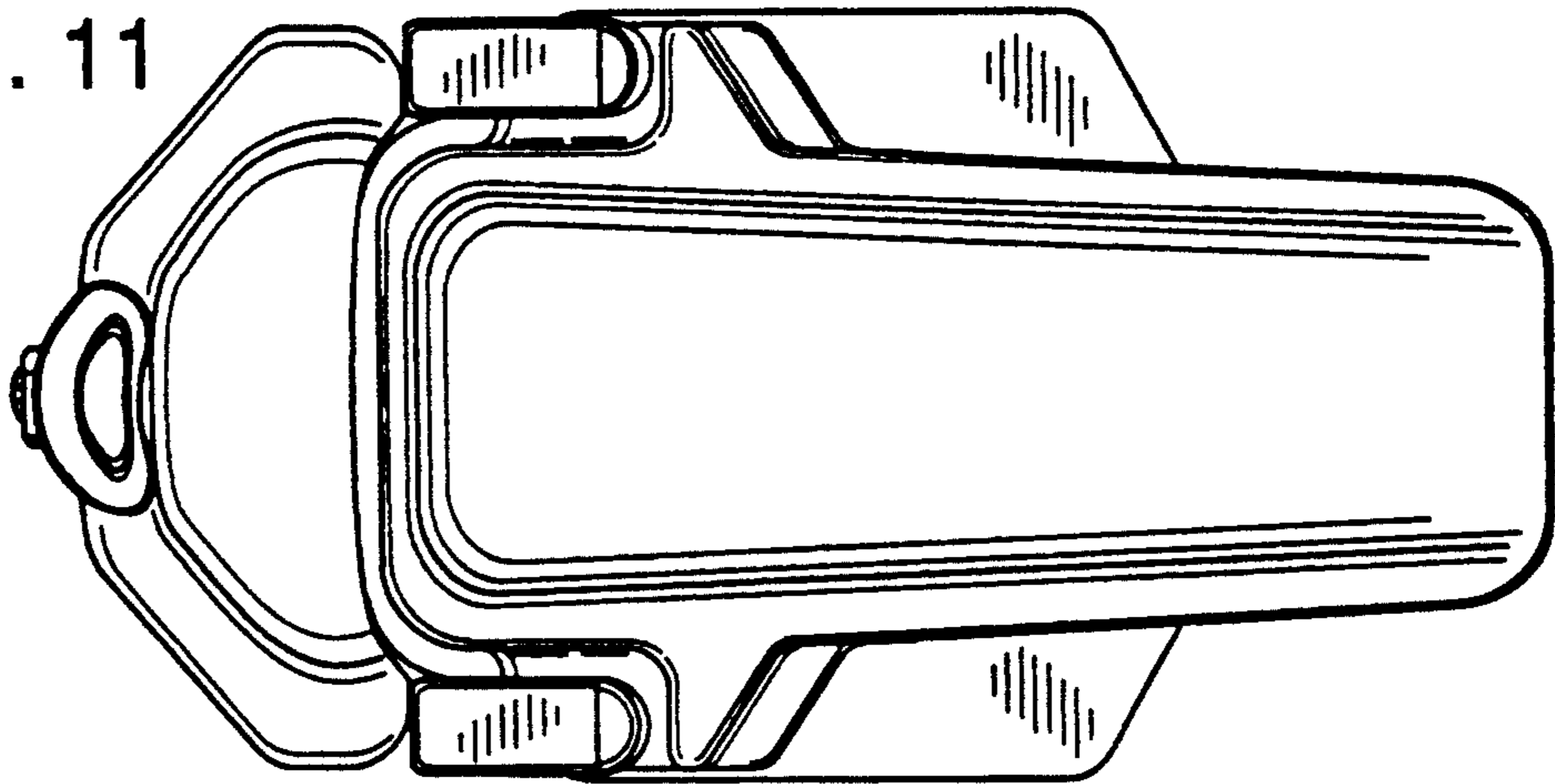


FIG. 12

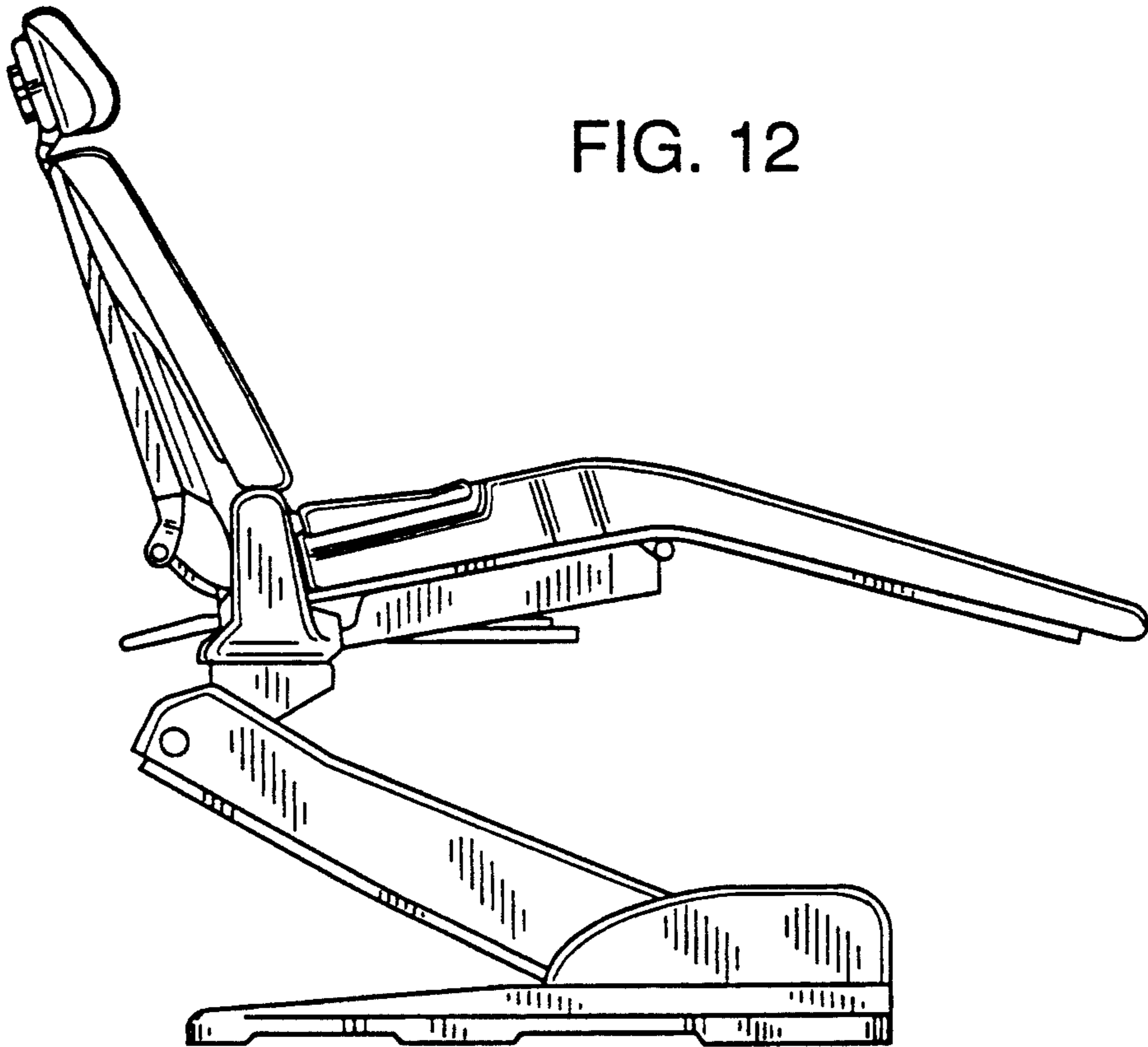


FIG. 13

