



US00D347945S

United States Patent [19]

[11] Patent Number: **Des. 347,945**

Walters-Leiter

[45] Date of Patent: **** Jun. 21, 1994**

[54] **FOLDABLE STEP STOOL**

D. 264,644 6/1982 Baker D6/353
D. 293,180 12/1987 Hamami D6/480

[76] Inventor: **Diane L. Walters-Leiter**, 1325
Woodvine, Friendswood, Tex.
77546-4930

OTHER PUBLICATIONS

Spiegel 1991, p. 487, Item #K, stool at bottom right.

[**] Term: **14 Years**

Primary Examiner—Nelson C. Holtje

[21] Appl. No.: **895,865**

Assistant Examiner—J. E. Seeger

[22] Filed: **Jun. 9, 1992**

Attorney, Agent, or Firm—Terry M. Gernstein

[52] U.S. Cl. **D6/353; D6/429;**
D6/485

[57] **CLAIM**

The ornamental design for a foldable step stool, as shown and described.

[58] Field of Search **D6/349-353,**
D6/355, 358, 484, 451, 485; 297/175, 188, 192,
423.1, 423.39, 461, 462

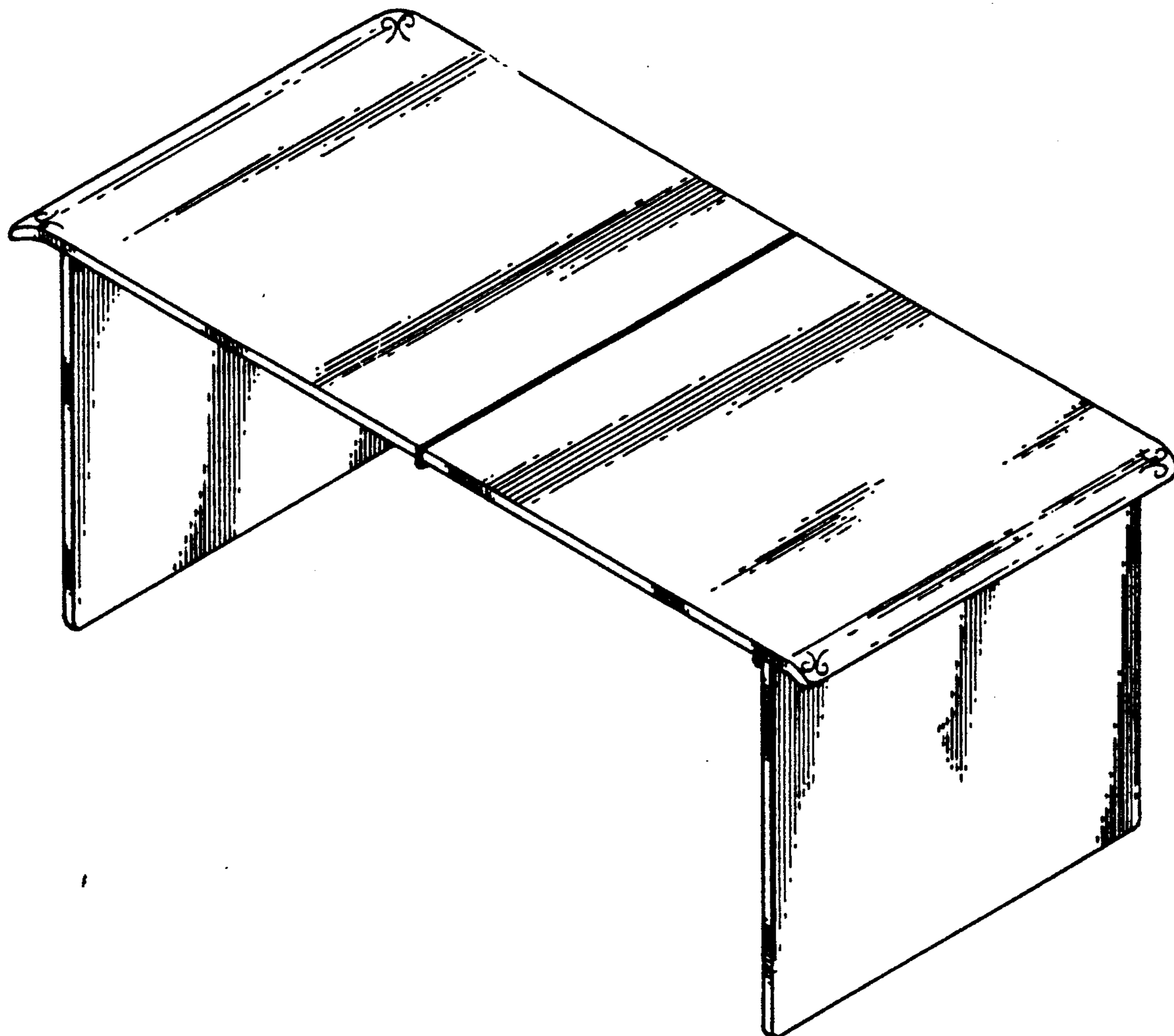
DESCRIPTION

[56] **References Cited**

FIG. 1 is a top, front and end perspective view of the foldable step stool showing my new design; FIG. 2 is a front elevational view thereof, the rear being a mirror image of the front shown in FIG. 2; FIG. 3 is an end elevational view thereof, the end opposite being a mirror image of the end shown in FIG. 3; FIG. 4 is a top plan view thereof; and, FIG. 5 is a bottom plan view thereof.

U.S. PATENT DOCUMENTS

- D. 54,117 11/1919 Palmquist D6/349
- D. 240,184 6/1976 Neuschaefer D6/485 X
- D. 247,080 1/1978 Robinson D6/485
- D. 248,345 7/1978 Stoddard D6/353



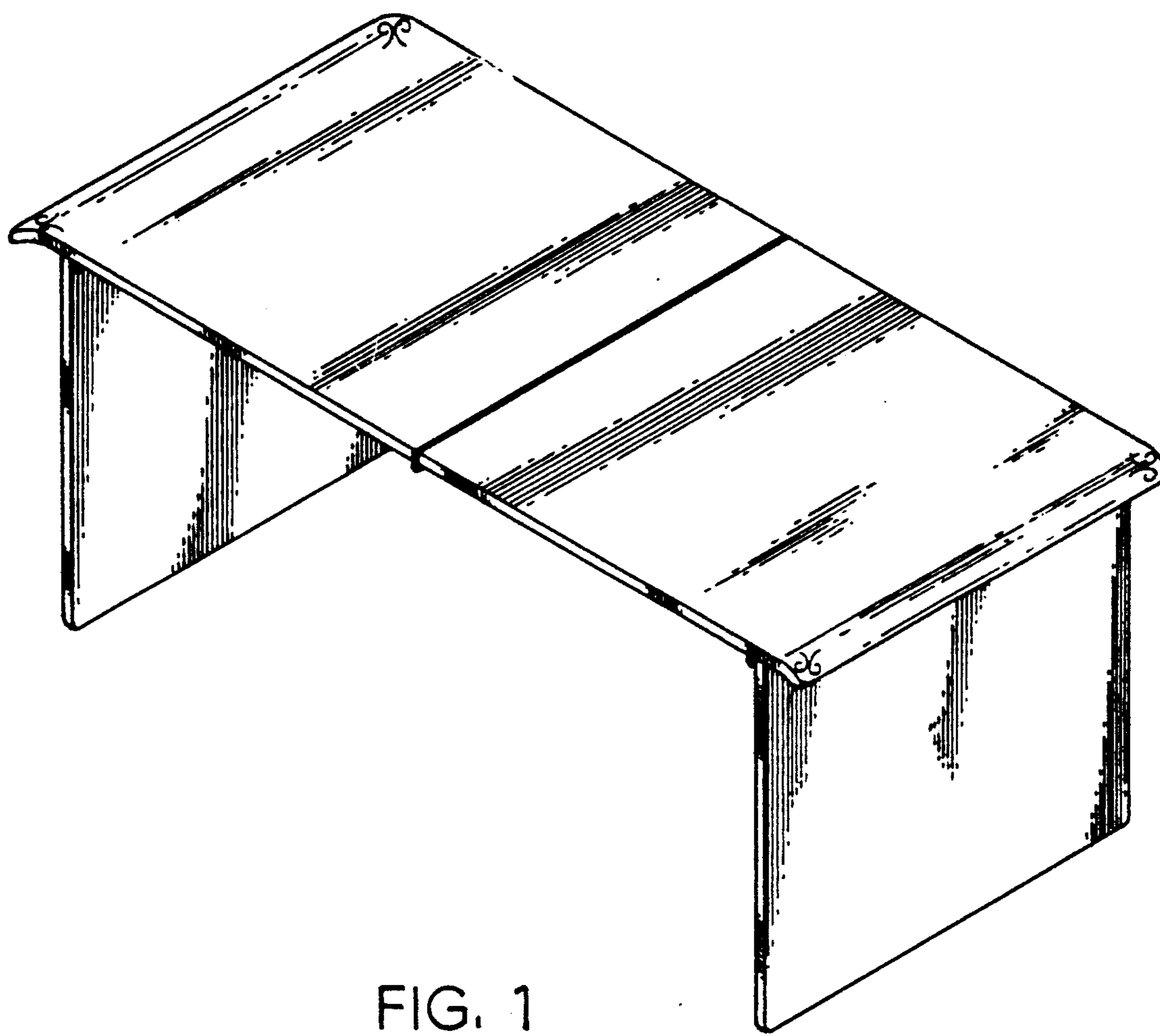


FIG. 1

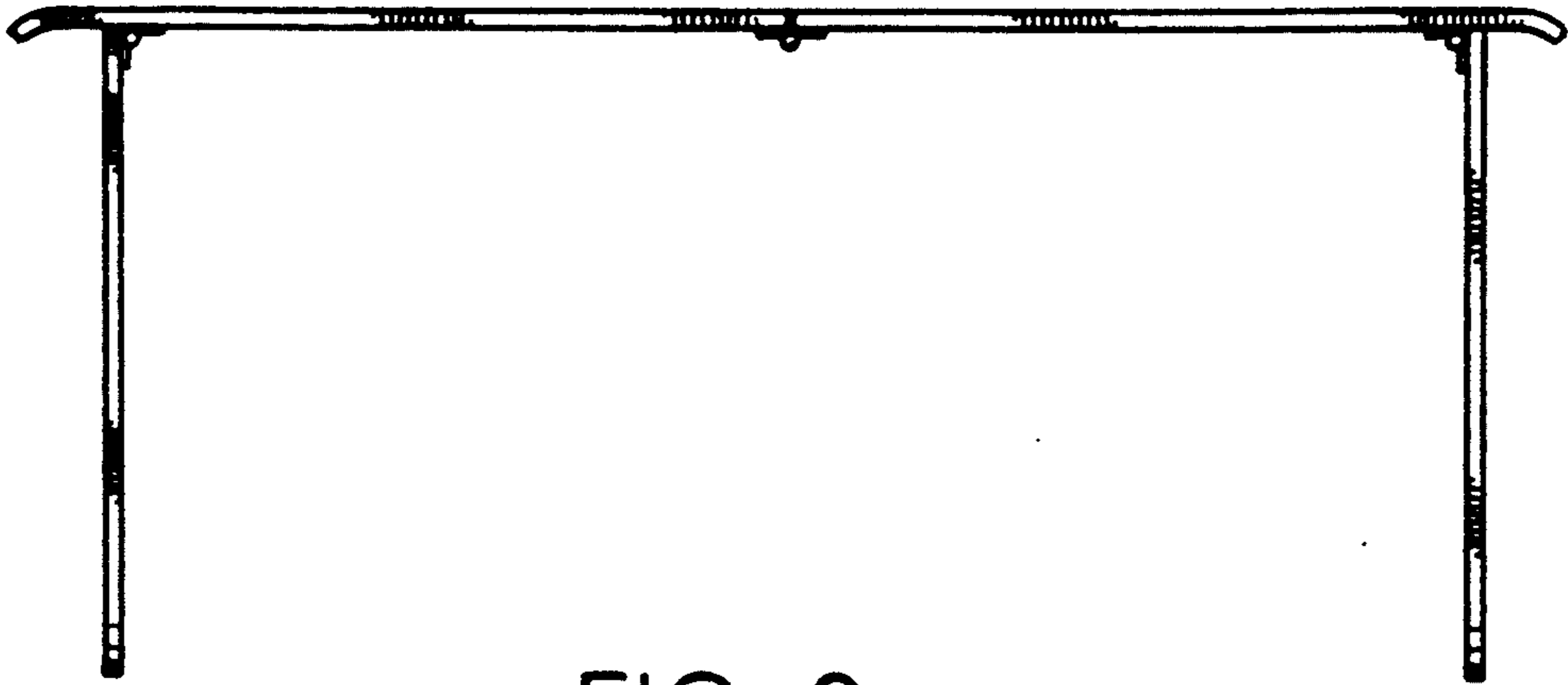


FIG. 2

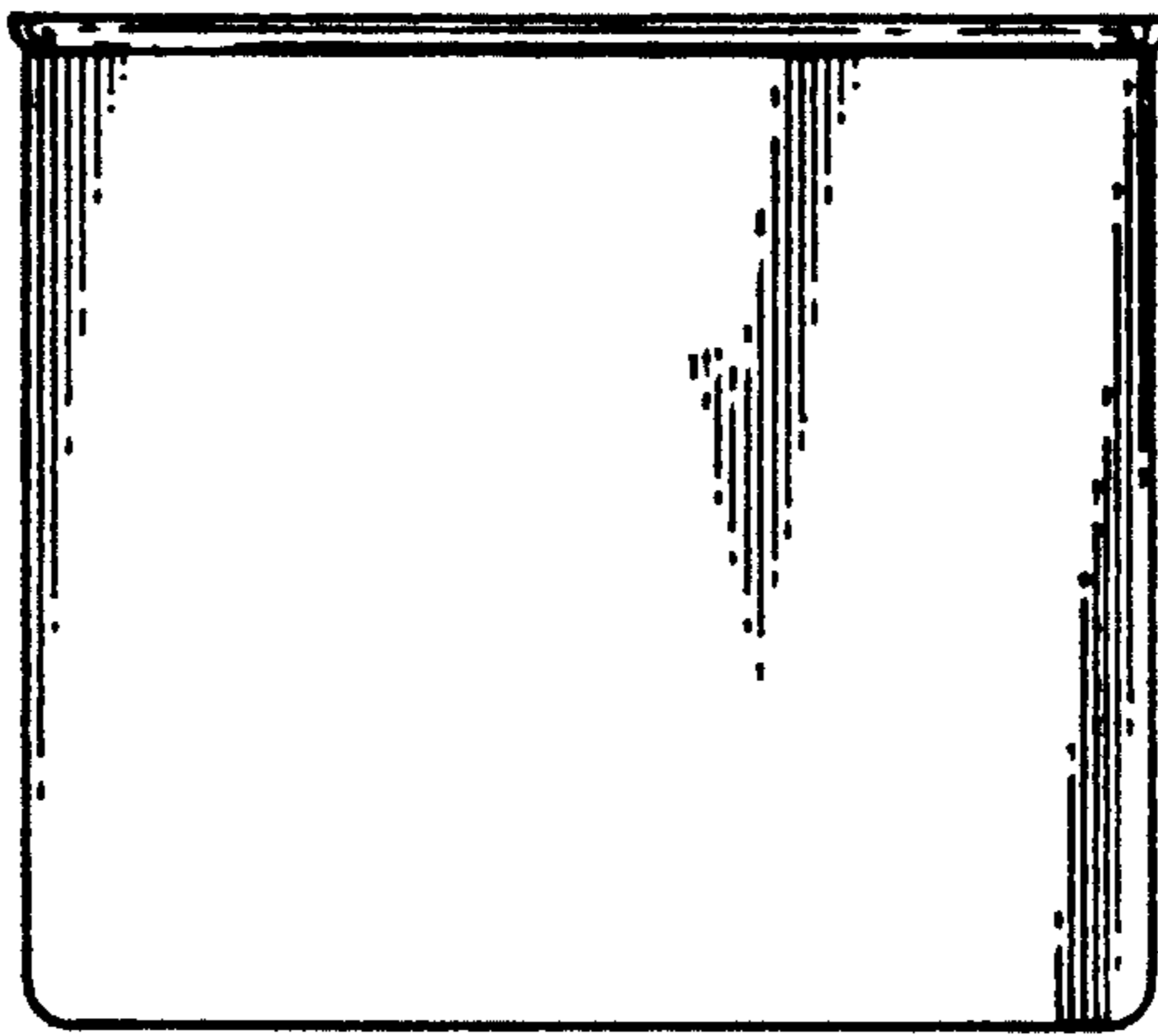


FIG. 3

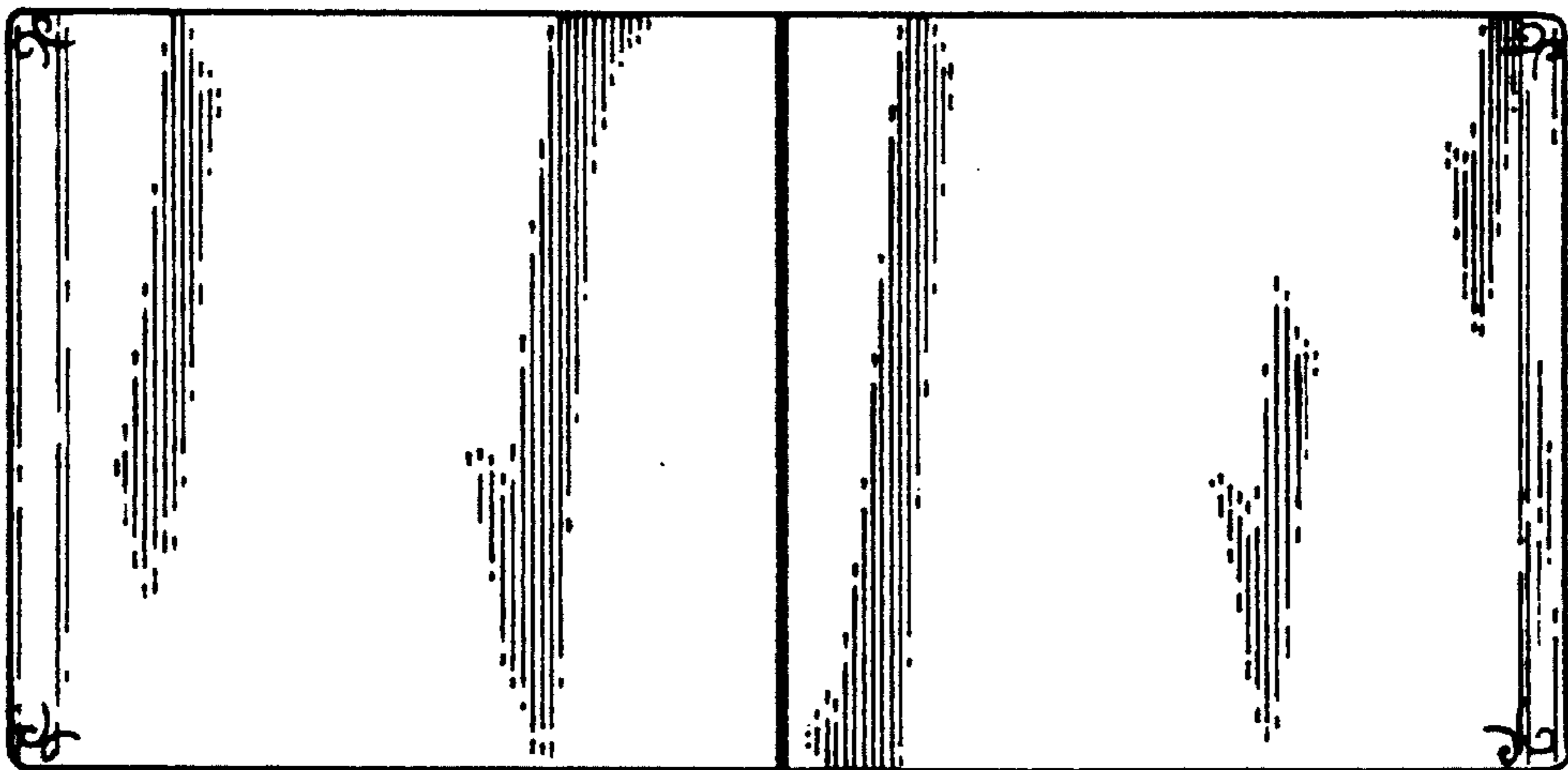


FIG. 4

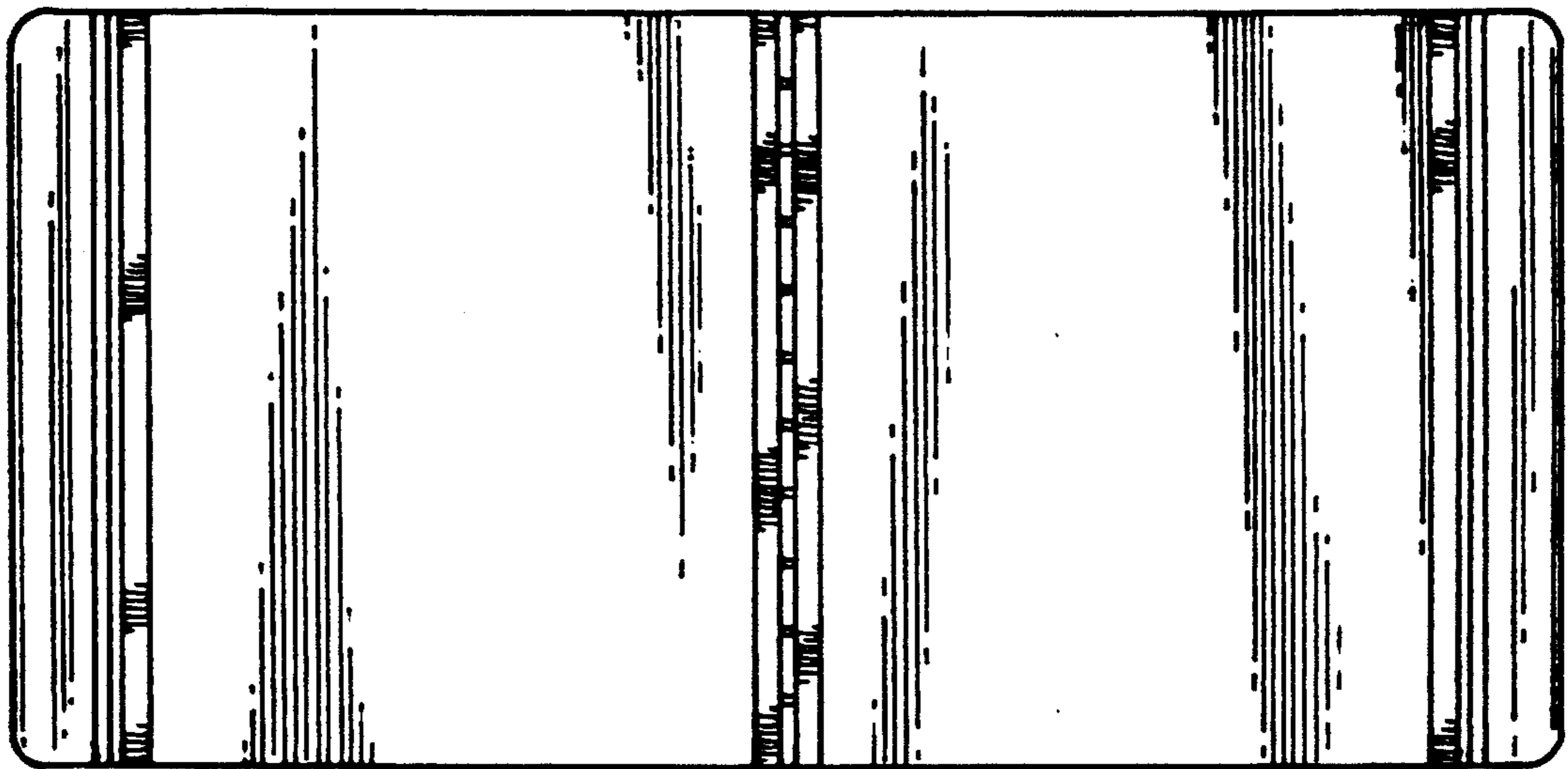


FIG. 5