



US00D347944S

United States Patent [19]

[11] Patent Number: **Des. 347,944**

Honora

[45] Date of Patent: **** Jun. 21, 1994**

[54] **TOOTHPASTE DISPENSING TOOTHBRUSH**

3,256,894 6/1966 Sherman 401/271 X
3,653,778 4/1972 Freiling .
4,759,381 7/1988 Cesari .

[76] Inventor: **Richard M. Honora**, 7137 Modesto Ave., Baton Rouge, La. 70811

Primary Examiner—James M. Gandy
Assistant Examiner—Lavone D. Tabor
Attorney, Agent, or Firm—Terry M. Gernstein

[**] Term: **14 Years**

[21] Appl. No.: **726,549**

[57] **CLAIM**

[22] Filed: **Jul. 8, 1991**

The ornamental design for a toothpaste dispensing toothbrush, as shown and described.

[52] U.S. Cl. **D4/108; D4/114**

[58] Field of Search **D4/101, 104-114, D4/116, 121, 134, 136, 138; 15/24, 29, 105-106, 159.1, 160, 167.1-167.2; 132/308-313; 401/268-271, 282, 286-287**

DESCRIPTION

[56] **References Cited**

U.S. PATENT DOCUMENTS

D. 59,127 9/1921 Perrault D4/104
841,946 1/1907 Downing 401/287 X
2,244,952 6/1941 Kapelman 401/268
2,527,741 10/1950 Lamonde .

FIG. 1 is a perspective view of the toothpaste dispensing toothbrush embodying the design of the present invention;

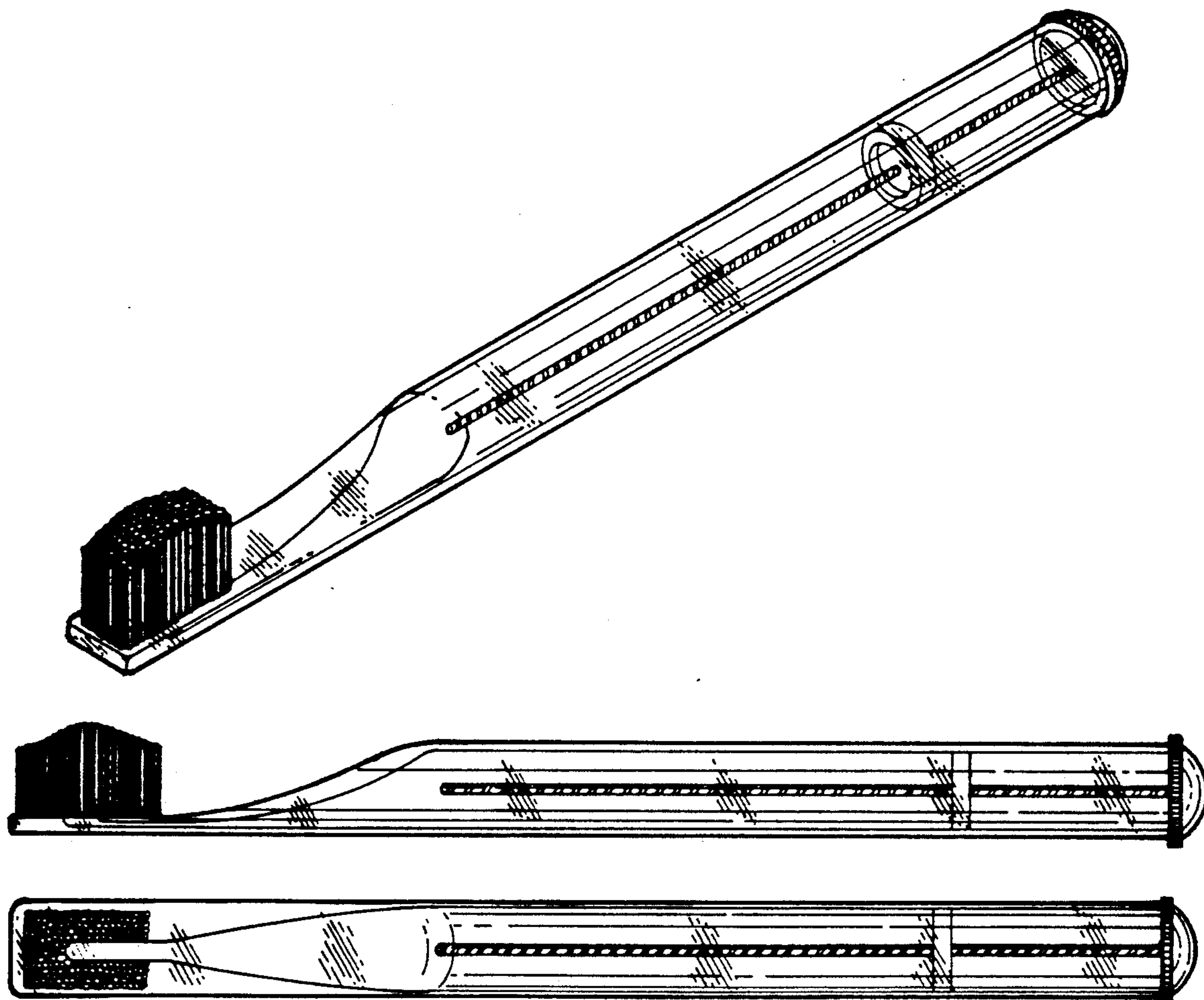
FIG. 2 is a front end elevational view thereof;

FIG. 3 is a rear end elevational view thereof;

FIG. 4 is a side elevational view thereof, the side opposite being a mirror image of the side shown in FIG. 4;

FIG. 5 is a top plan view thereof; and,

FIG. 6 is a bottom view thereof.



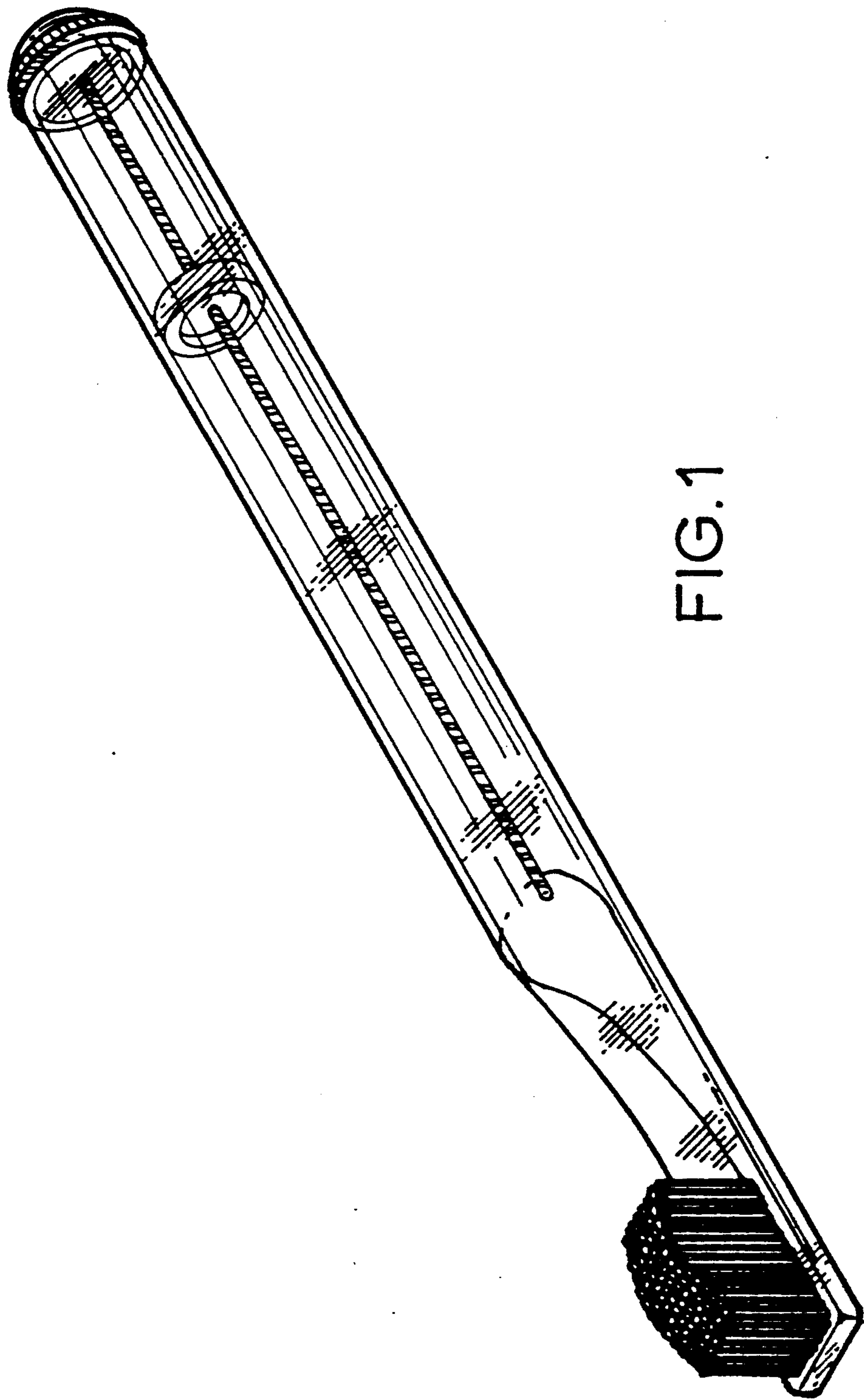


FIG.1

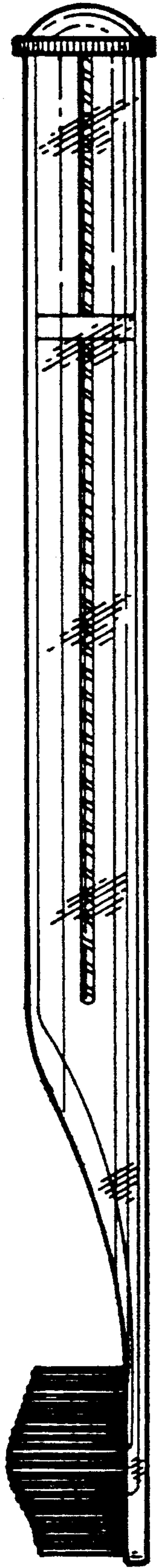


FIG. 4

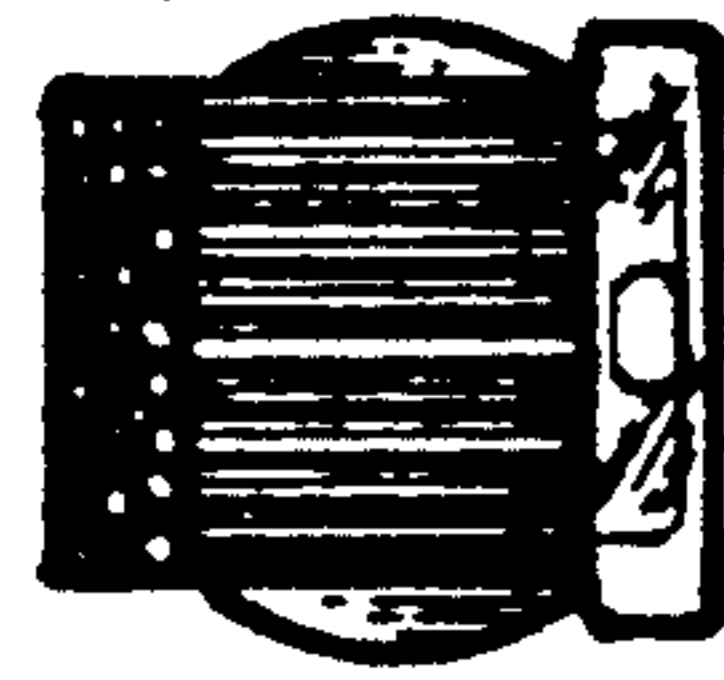


FIG. 2



FIG. 3

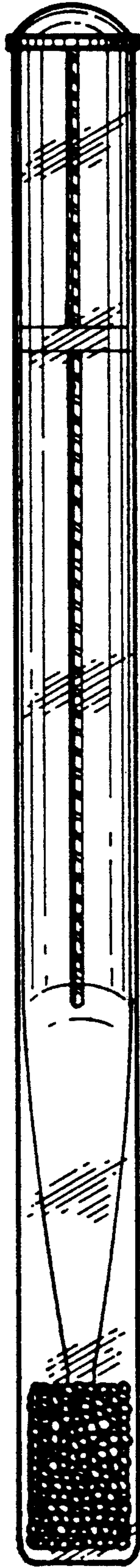


FIG. 5

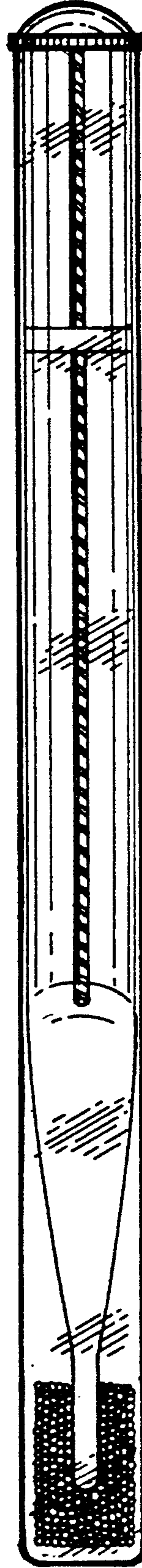


FIG. 6