



US00D347943S

United States Patent [19]

[11] Patent Number: **Des. 347,943**

Perry

[45] Date of Patent: **** Jun. 21, 1994**

[54] **DENTURE BRUSH**

[75] Inventor: **George B. Perry, Cwmbran, Great Britain**

[73] Assignee: **Block Drug Company, Inc., Jersey City, N.J.**

[**] Term: **14 Years**

[21] Appl. No.: **817,407**

[22] Filed: **Jan. 6, 1992**

[30] **Foreign Application Priority Data**

Jul. 5, 1991 [GB] United Kingdom 2015842
Jul. 5, 1991 [GB] United Kingdom 2015843

[52] U.S. Cl. **D4/104**

[58] Field of Search **D4/104-114,**
D4/132-134, 136, 138; 15/143.1, 159.1, 160,
167.1-167.2, 176.1-176.4

[56] **References Cited**

U.S. PATENT DOCUMENTS

D. 151,483 10/1948 Alderson D4/104
D. 238,833 2/1976 Hjelle D4/104

D. 241,891 10/1976 Cannon et al. D4/104
D. 274,018 5/1984 Usui D4/105
2,558,332 6/1951 Artale 15/167.1
3,359,588 12/1967 Kobler 15/167.1 X

FOREIGN PATENT DOCUMENTS

3241118 8/1984 Fed. Rep. of Germany 15/167.1

Primary Examiner—Wallace R. Burke
Assistant Examiner—Lavone D. Tabor
Attorney, Agent, or Firm—Ostrolenk, Faber, Gerb & Soffen

[57] **CLAIM**

The ornamental design for a denture brush, as shown and described.

DESCRIPTION

FIG. 1 is a side elevational view of a denture brush showing my new design, the opposite side view thereof being a mirror image;
FIG. 2 is a top plan view thereof;
FIG. 3 is a bottom plan view thereof;
FIG. 4 is a side view thereof in a separated condition;
FIG. 5 is a front end elevational view thereof; and,
FIG. 6 is a rear end elevational view thereof.

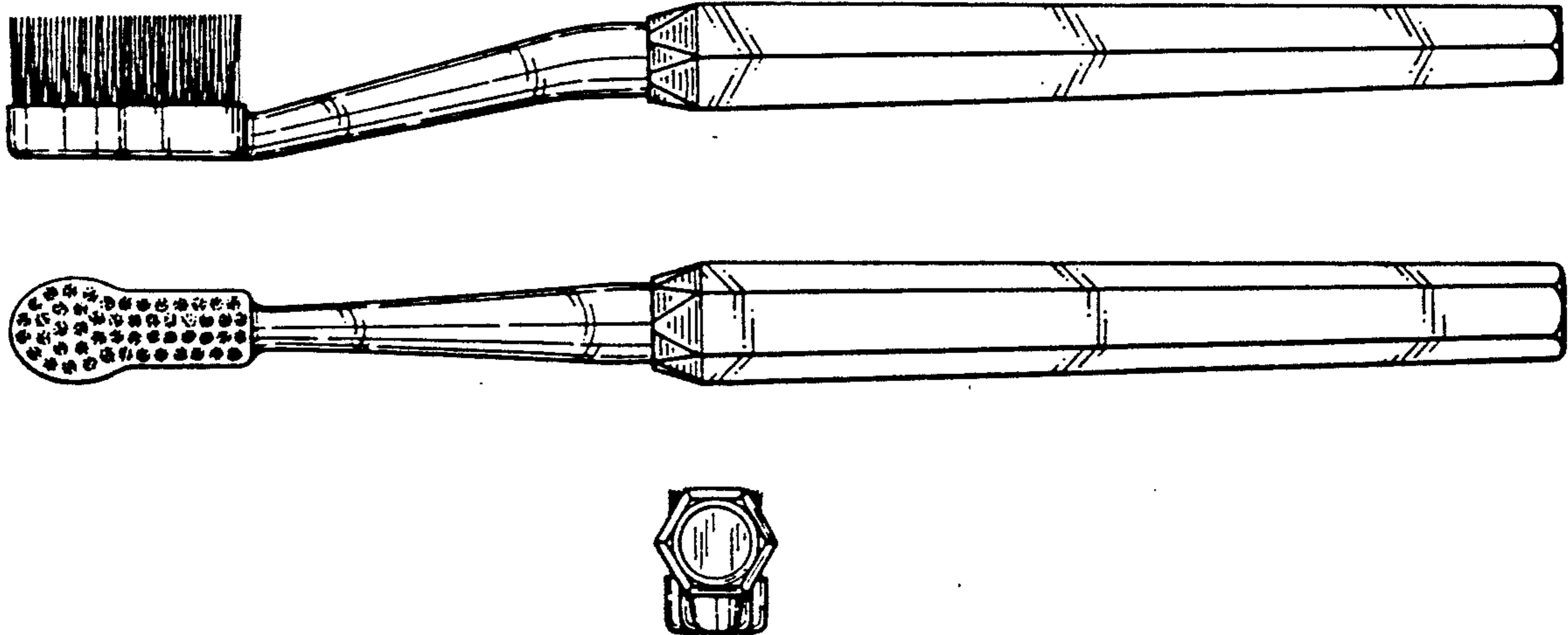




FIG. 1

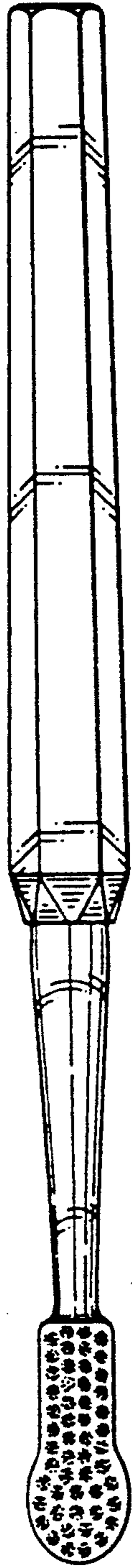


FIG. 2



FIG. 3



FIG. 4

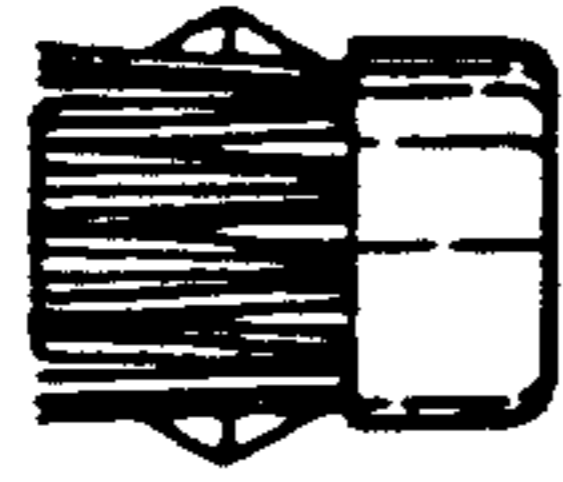


FIG. 5

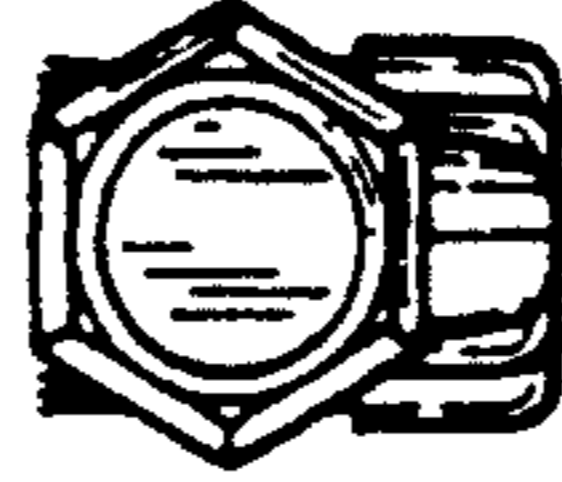


FIG. 6