



US00D347930S

United States Patent [19]

[11] Patent Number: **Des. 347,930**

Hunter

[45] Date of Patent: **** Jun. 14, 1994**

[54] **BANKING TERMINAL**

[75] Inventor: **Murray D. K. Hunter**, New South Wales, Australia

[73] Assignee: **Fujitsu Australia Limited**, Chatswood, Australia

[**] Term: **14 Years**

[21] Appl. No.: **881,030**

[22] Filed: **May 8, 1992**

[30] **Foreign Application Priority Data**

Nov. 11, 1991 [AU] Australia 3472/91
[52] U.S. Cl. **D99/35; D99/28**
[58] Field of Search **D99/35, 28; D14/106, D14/113; D18/4**

[56] **References Cited**

U.S. PATENT DOCUMENTS

D. 281,114/10/1985 Cooke D99/28

D. 289,777 5/1987 Thomas D99/28
D. 289,778 5/1987 Thomas D99/28
D. 293,151 12/1987 Prinzhorn D9/28
D. 334,567 4/1993 Someya et al. D14/106

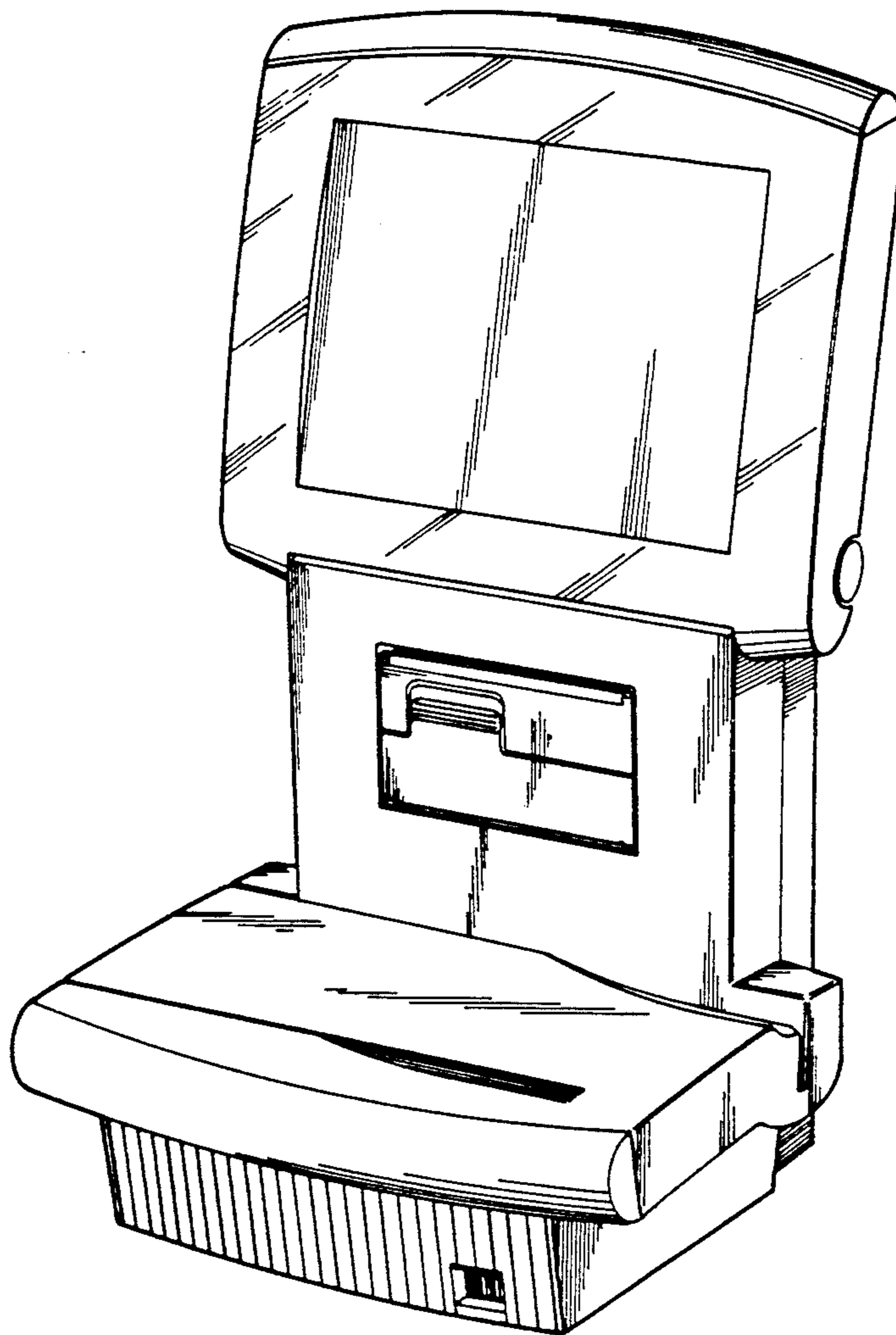
Primary Examiner—Alan P. Douglas
Assistant Examiner—J. H. Musgrove
Attorney, Agent, or Firm—Gottlieb, Rackman & Reisman

[57] **CLAIM**

The ornamental design for a banking terminal, as shown and described.

DESCRIPTION

FIG. 1 is a perspective view, from the front and one side, of a banking terminal embodying my design; FIG. 2 is a left-hand side elevational view thereof; FIG. 3 is a right-hand side elevational view thereof; FIG. 4 is a front elevational view thereof; FIG. 5 is a rear elevational view thereof; FIG. 6 is a top plan view thereof; and, FIG. 7 is a bottom plan view thereof.



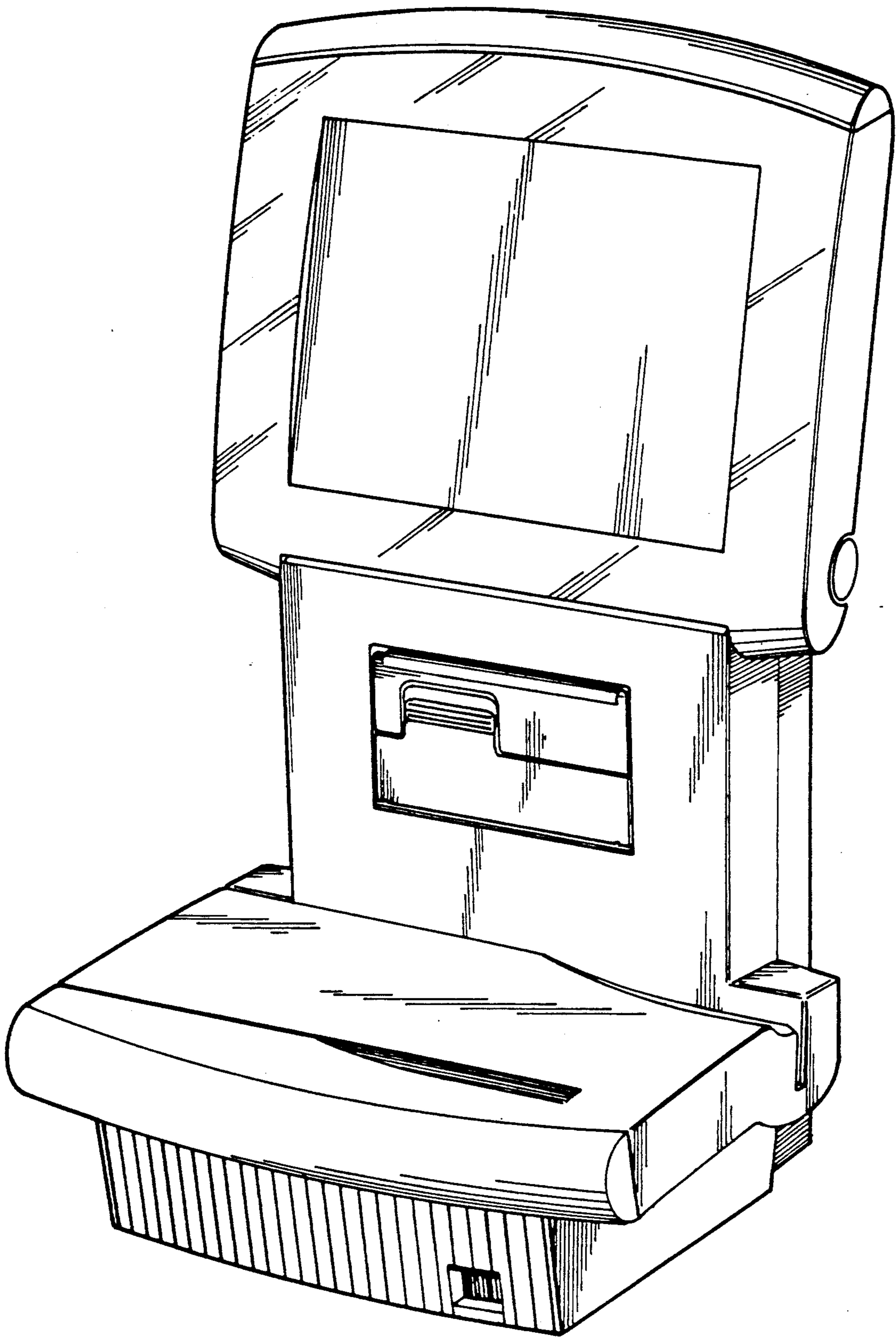


FIG. 1

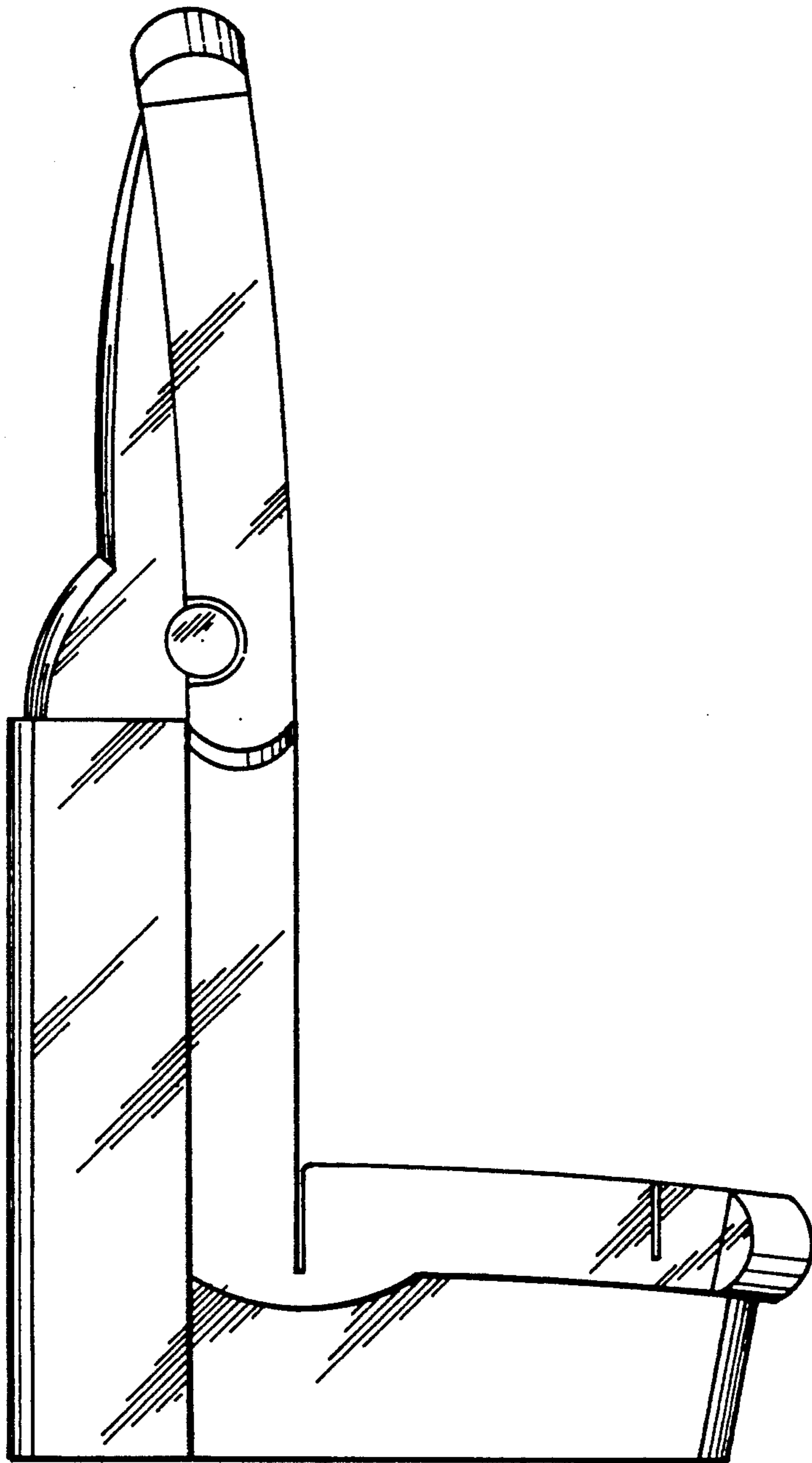


FIG. 2

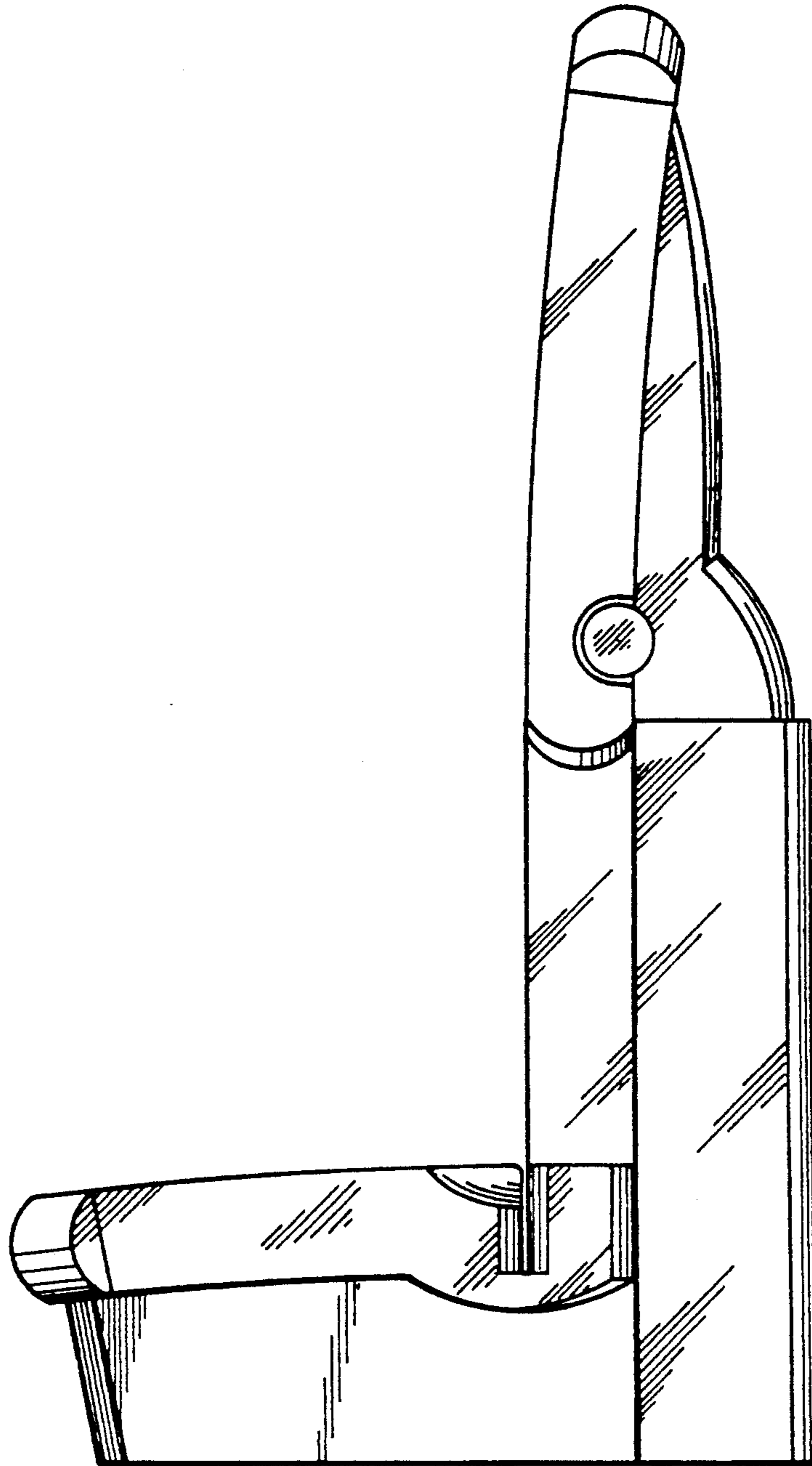


FIG. 3

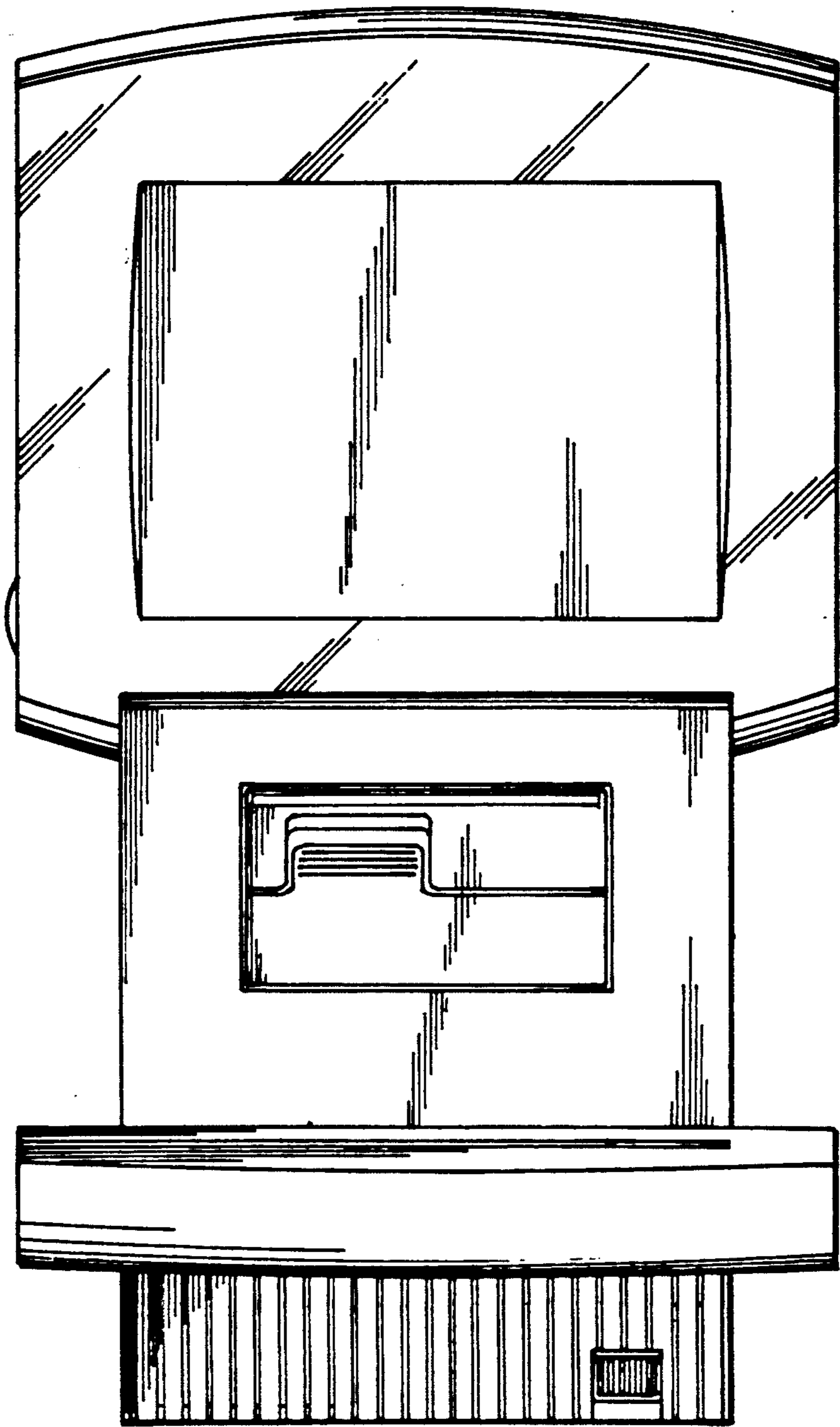


FIG. 4

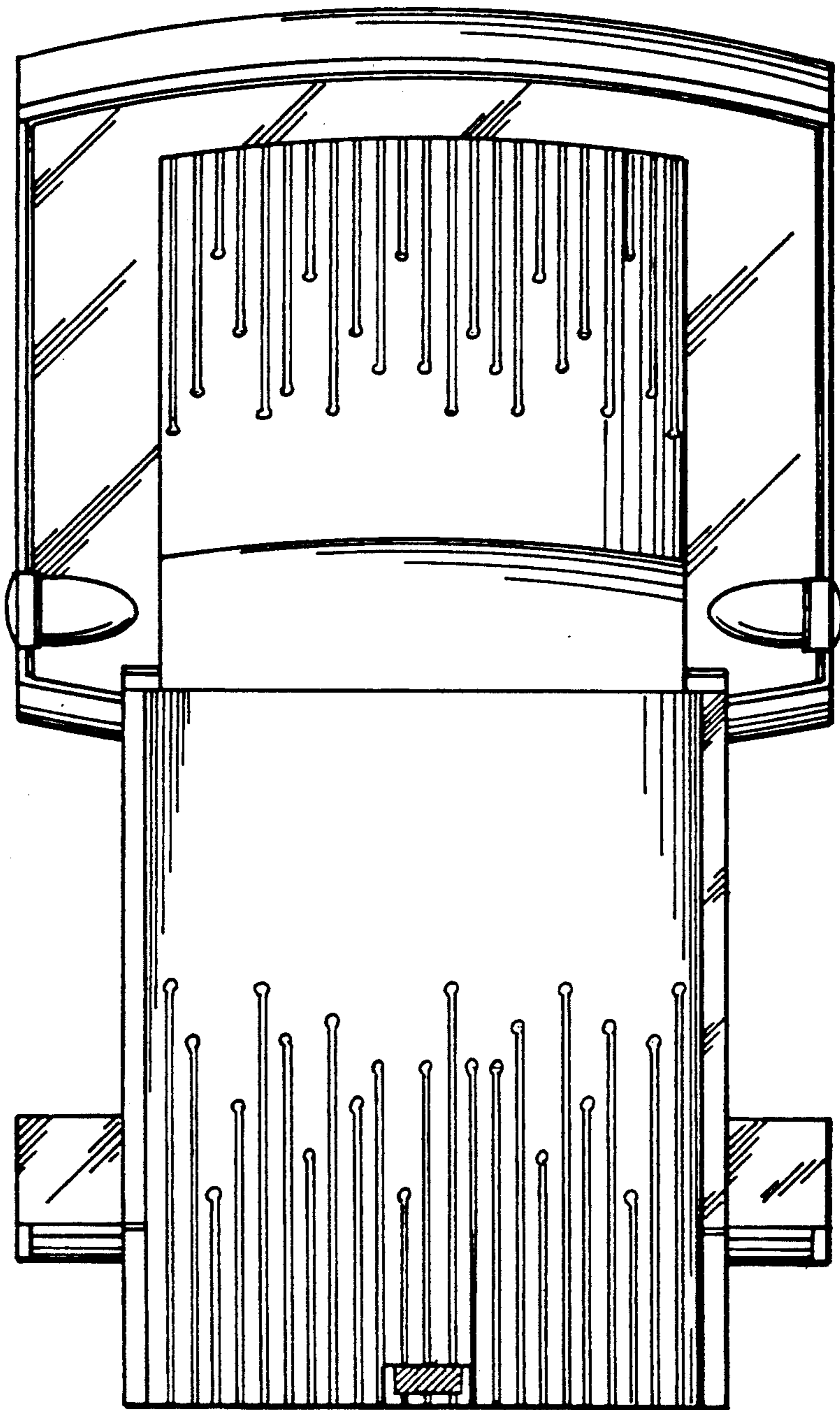


FIG. 5

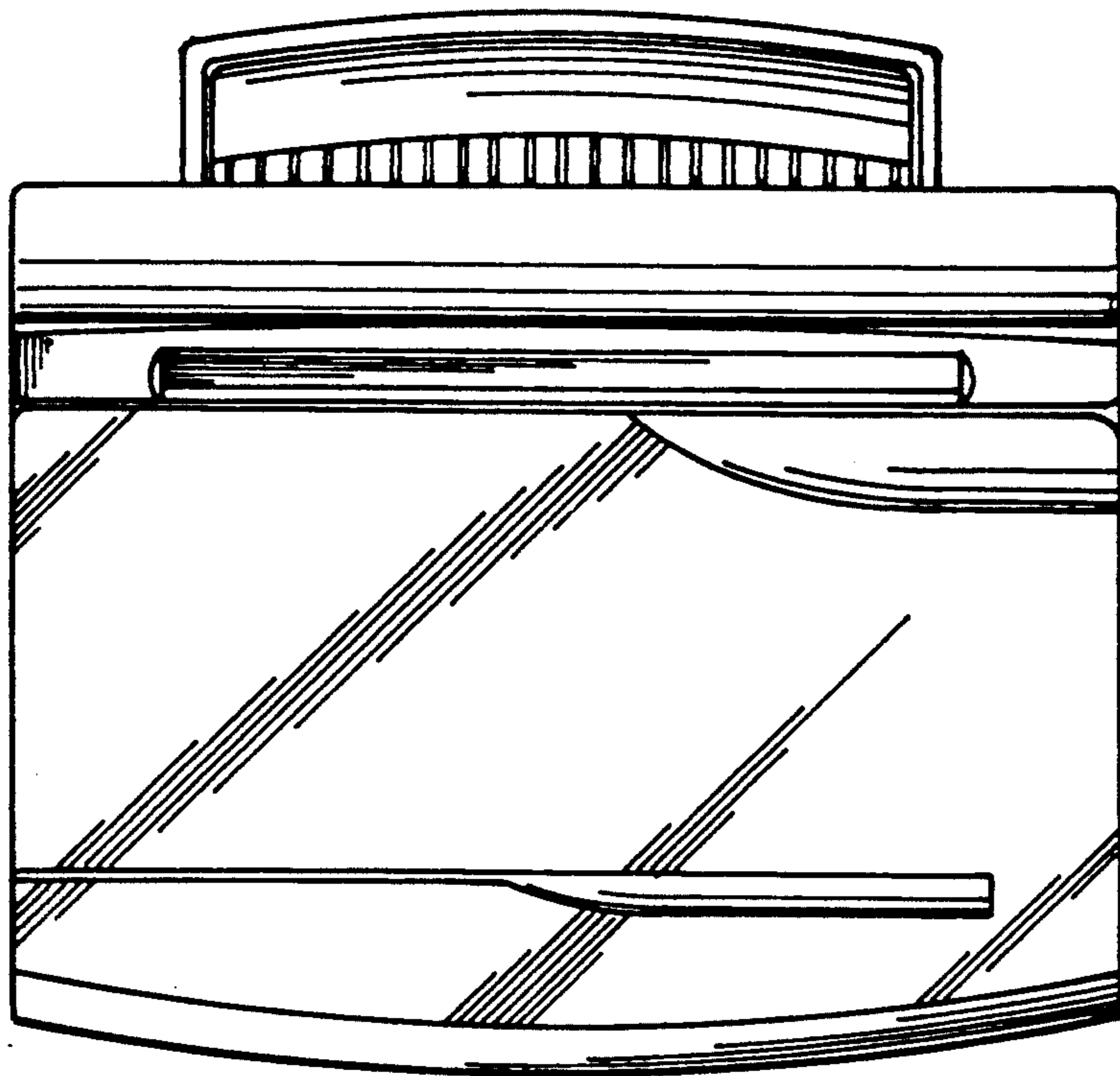


FIG. 6

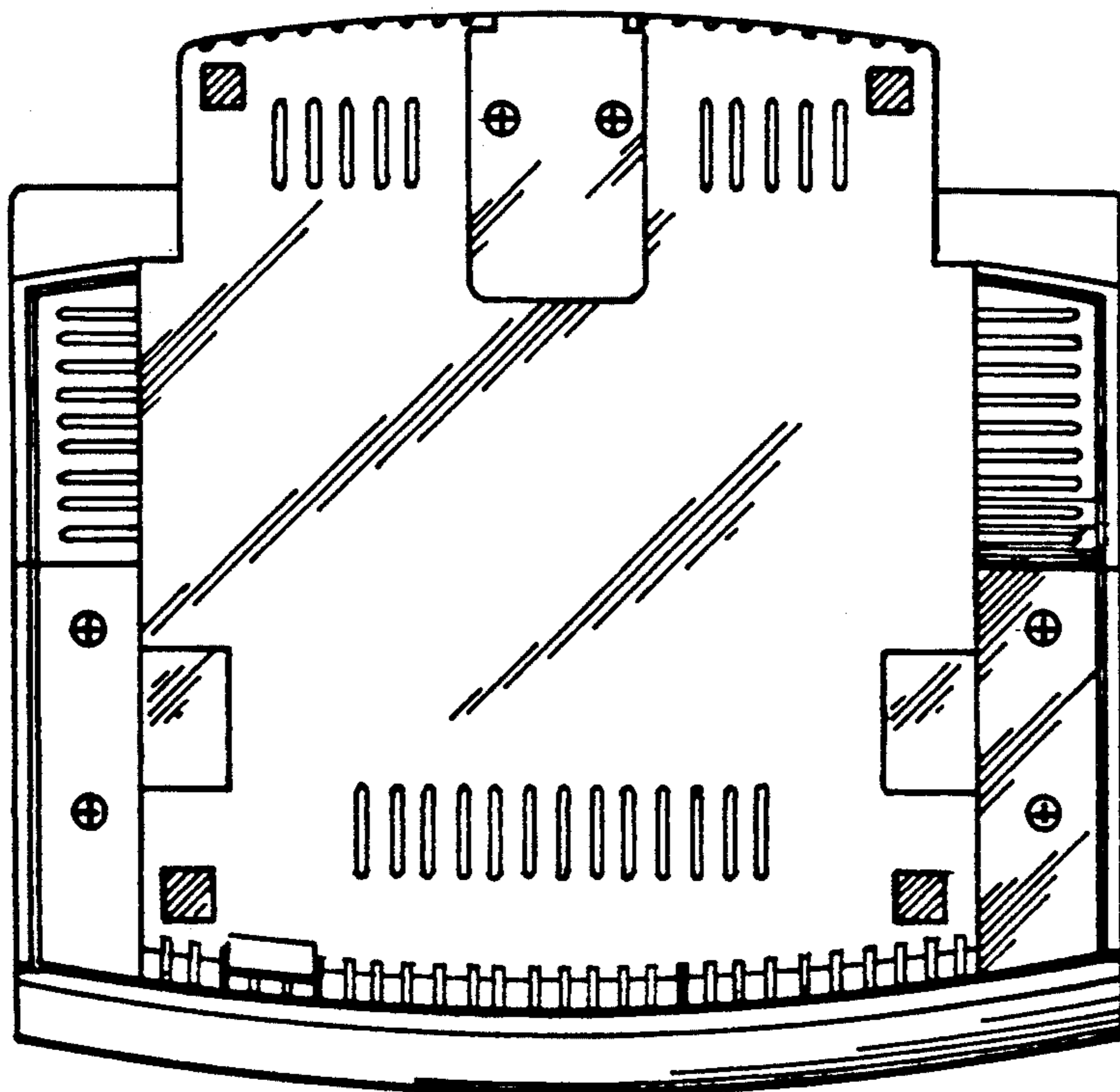


FIG. 7