



US00D347927S

# United States Patent [19]

[11] Patent Number: **Des. 347,927**

Martin

[45] Date of Patent: **\*\* Jun. 14, 1994**

[54] **VEHICLE TOPPED MAILBOX**

[76] Inventor: **Scott B. Martin**, 10339 Baribeau La., Indianapolis, Ind. 46229

[\*\*] Term: **14 Years**

[21] Appl. No.: **5,300**

[22] Filed: **Mar. 1, 1993**

[52] U.S. Cl. .... **D99/30**

[58] Field of Search ..... 232/1, 17, 34, 35, 24; D99/29, 30, 31, 32

[56] **References Cited**

**U.S. PATENT DOCUMENTS**

- D. 222,652 11/1971 Kinsky ..... D99/30
- D. 248,580 7/1978 Luttrell et al. .... D99/30

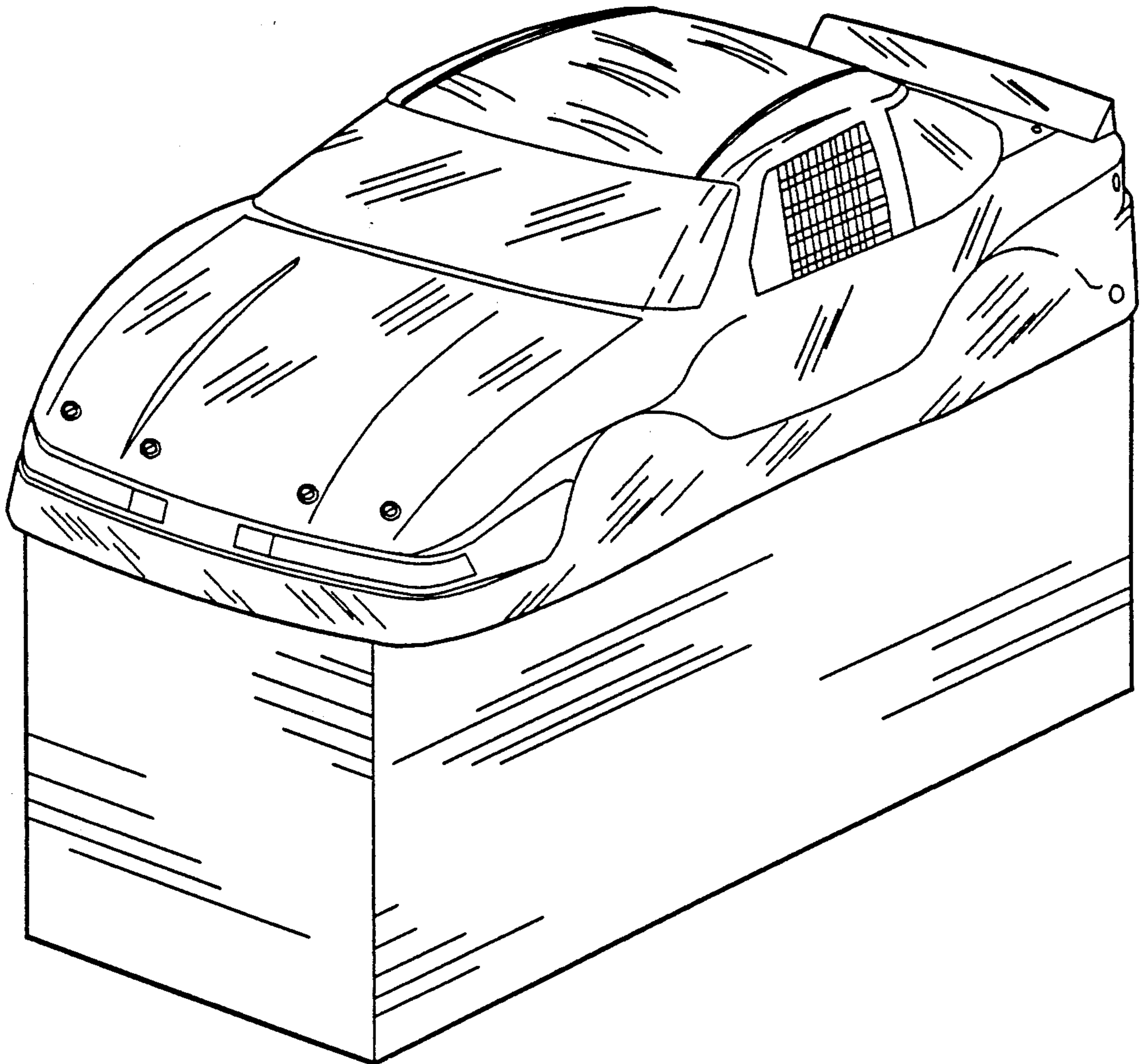
*Primary Examiner*—Alan P. Douglas  
*Assistant Examiner*—Jeffry H. Musgrove  
*Attorney, Agent, or Firm*—Woodard, Emhardt, Naughton, Moriarty & McNett

[57] **CLAIM**

The ornamental design for a vehicle topped mailbox, as shown and described.

**DESCRIPTION**

FIG. 1 is a side view of the vehicle topped mailbox incorporating my new design; FIG. 2 is a right end view; FIG. 3 is a left end view; FIG. 4 is a top view; FIG. 5 is a bottom view; and, FIG. 6 is a perspective view.



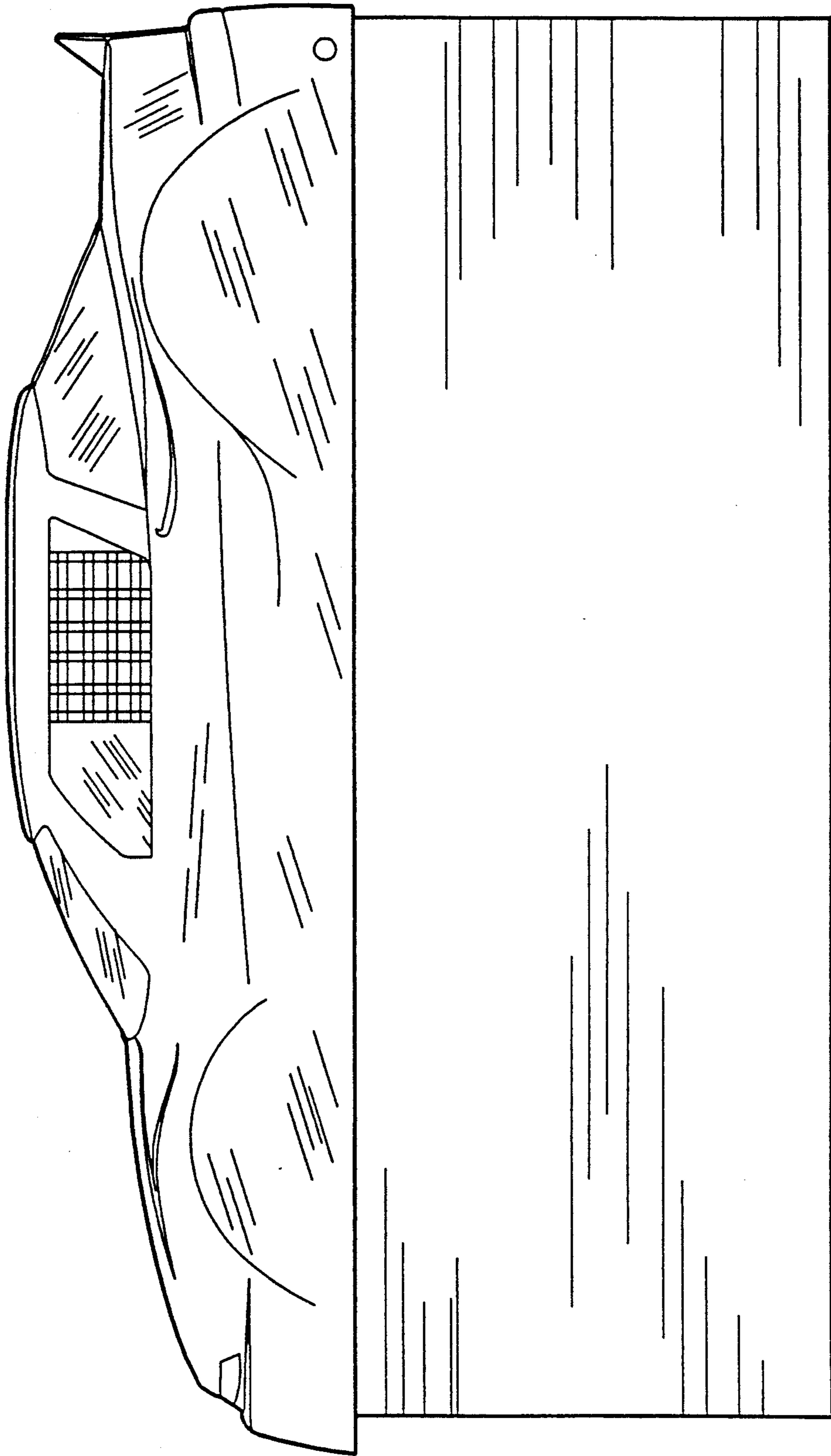


Fig. 1

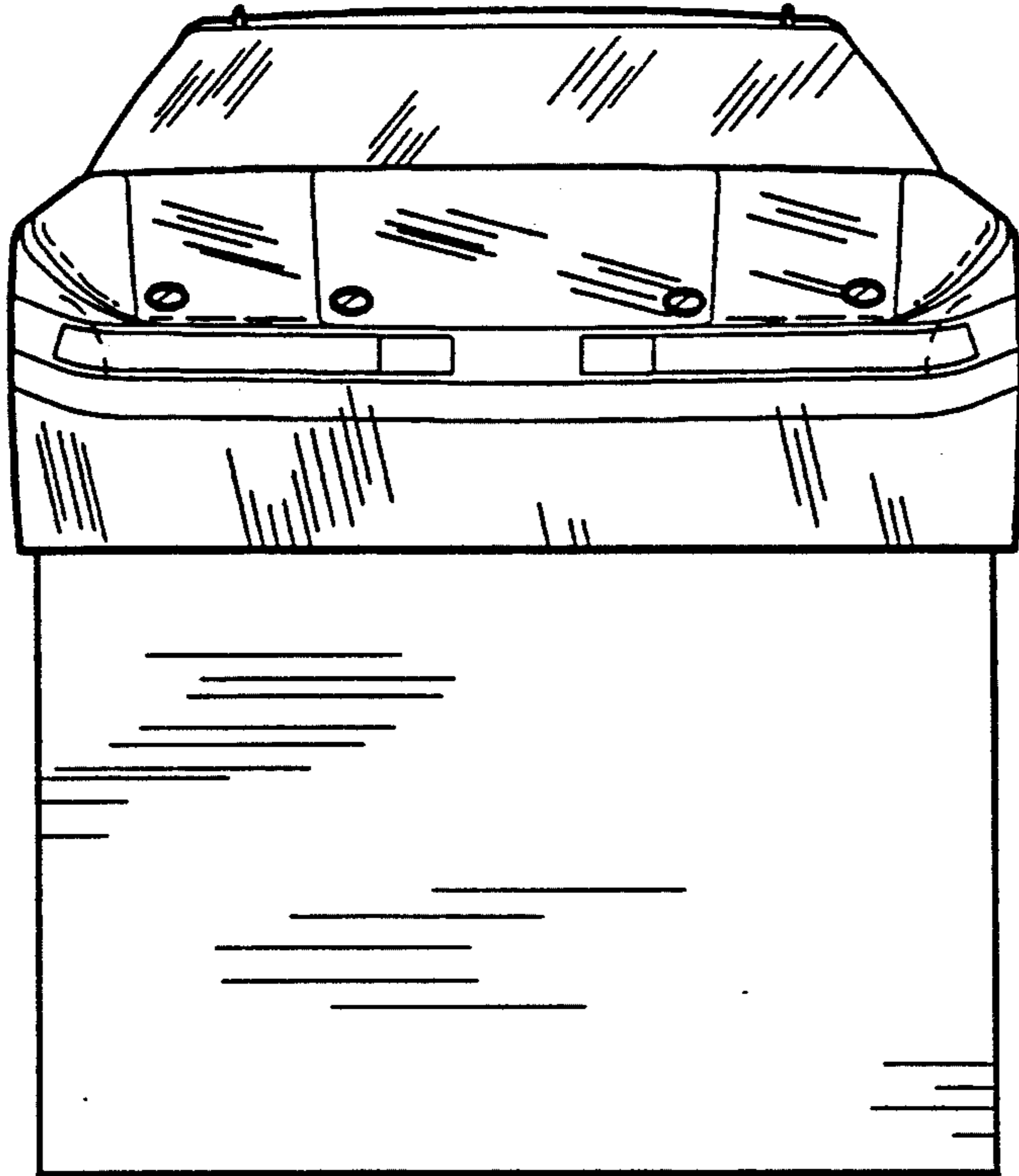


Fig. 3

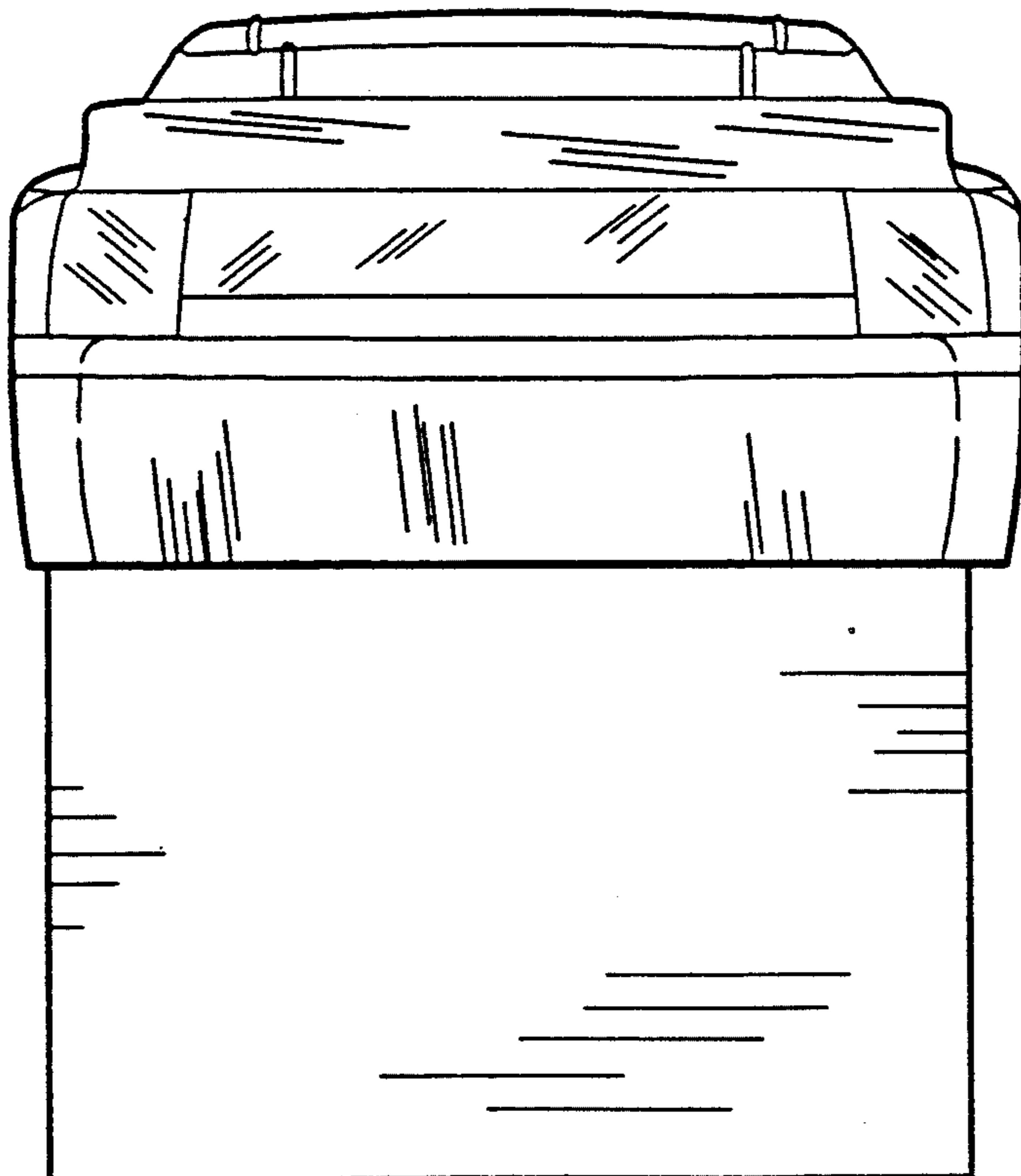


Fig. 2

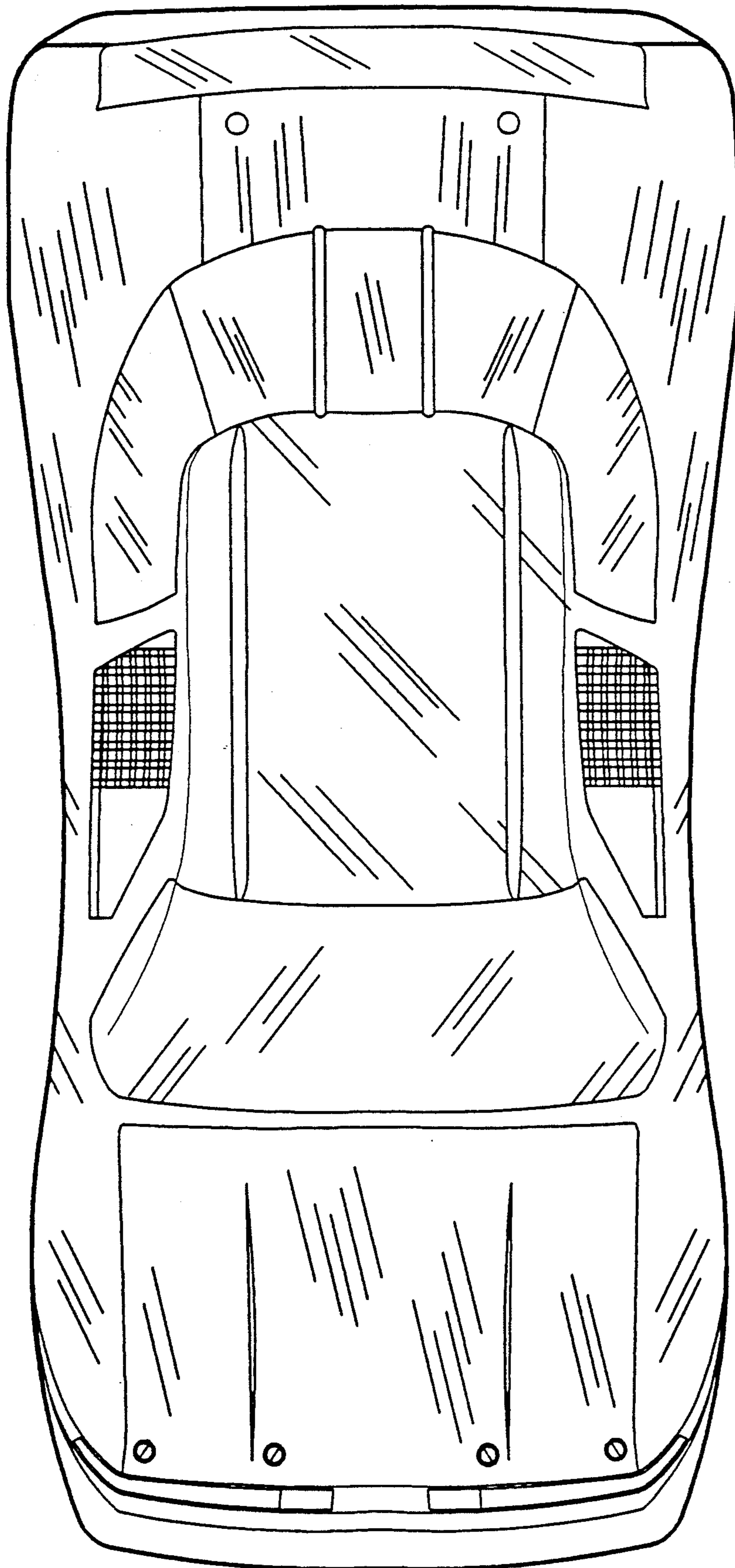


Fig. 4

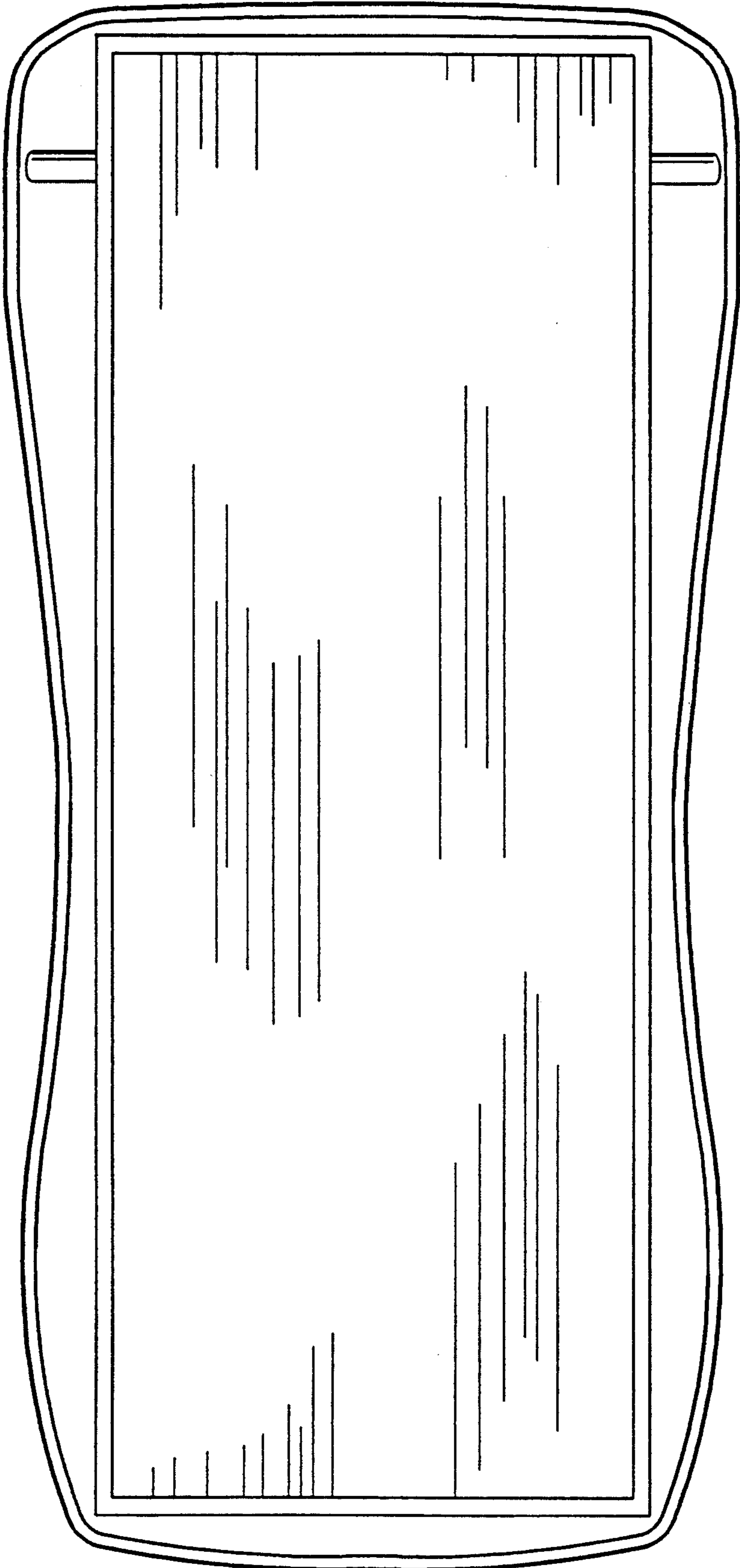


Fig. 5

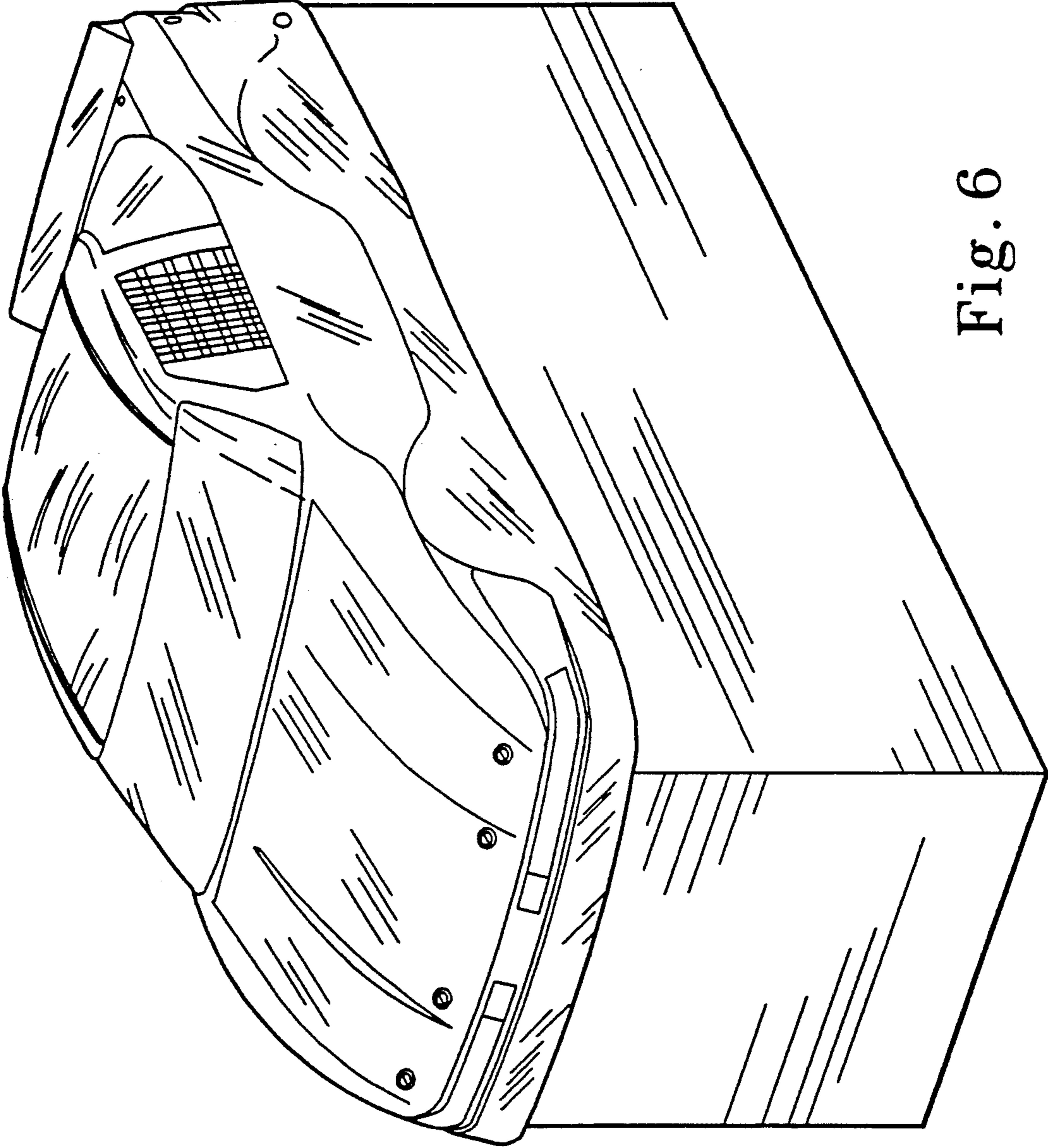


Fig. 6