



US00D347913S

United States Patent [19]

[11] Patent Number: **Des. 347,913**

Wellington et al.

[45] Date of Patent: **** Jun. 14, 1994**

[54] ANIMAL HABITAT

5,092,269 3/1992 Phillips et al. 119/29

[76] Inventors: **Wayne L. Wellington; Nancy E. Wellington**, both of 1516 Rock Island La., Las Vegas, Nev. 89110

5,186,122 2/1993 Phillips et al. 119/15

[**] Term: **14 Years**

OTHER PUBLICATIONS

Metaframe Corporation brochure; 1972; Cover & inside 2 pages photographs of Living World Habitrail Sets.

[21] Appl. No.: **954,067**

Primary Examiner—Cathy Anne MacCormac
Attorney, Agent, or Firm—Richard C. Litman

[22] Filed: **Sep. 30, 1992**

[52] U.S. Cl. **D30/108**

[58] Field of Search 119/17, 19, 29, 15;
D30/108-109, 118-119, 101

[57] CLAIM

The ornamental design for an animal habitat, as shown and described.

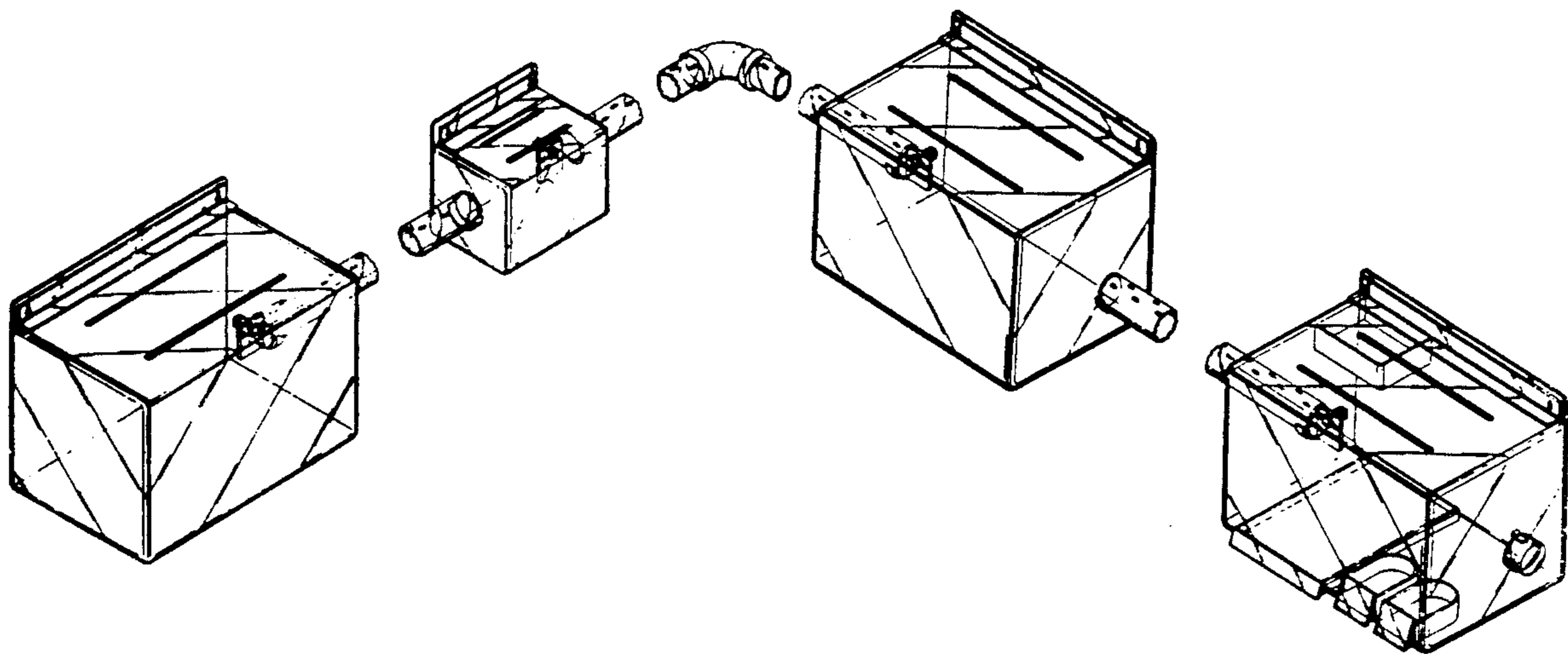
[56] References Cited

DESCRIPTION

U.S. PATENT DOCUMENTS

D. 231,371	4/1974	Willinger	119/29
D. 232,036	7/1974	Willinger	D30/108
2,002,259	5/1935	Cole	119/19
3,389,686	6/1968	Taylor et al.	119/17
3,653,357	4/1972	Sheidlower et al.	119/15
3,742,908	7/1973	Merino	119/15
3,774,576	11/1973	Modre	119/17
3,789,799	2/1974	Orfei	119/15
3,791,346	2/1974	Willinger et al.	119/17
3,994,262	11/1976	Suchowski et al.	119/29
3,998,187	12/1976	Rodemeyer	119/29
4,498,421	2/1985	Lovitt	119/29
4,723,512	2/1988	Margolis	119/15

FIG. 1 is an perspective view of an animal habitat showing our new design;
FIG. 2 is an enlarged scale top plan view thereof;
FIG. 3 is an enlarged scale front elevational view thereof;
FIG. 4 is an enlarged scale rear elevational view thereof;
FIG. 5 is an enlarged scale left elevational view thereof;
FIG. 6 is an enlarged scale right elevational view thereof; and,
FIG. 7 is an enlarged scale bottom plan view thereof.
The connecting pipe segments in all figures are broken away to show indeterminate length.



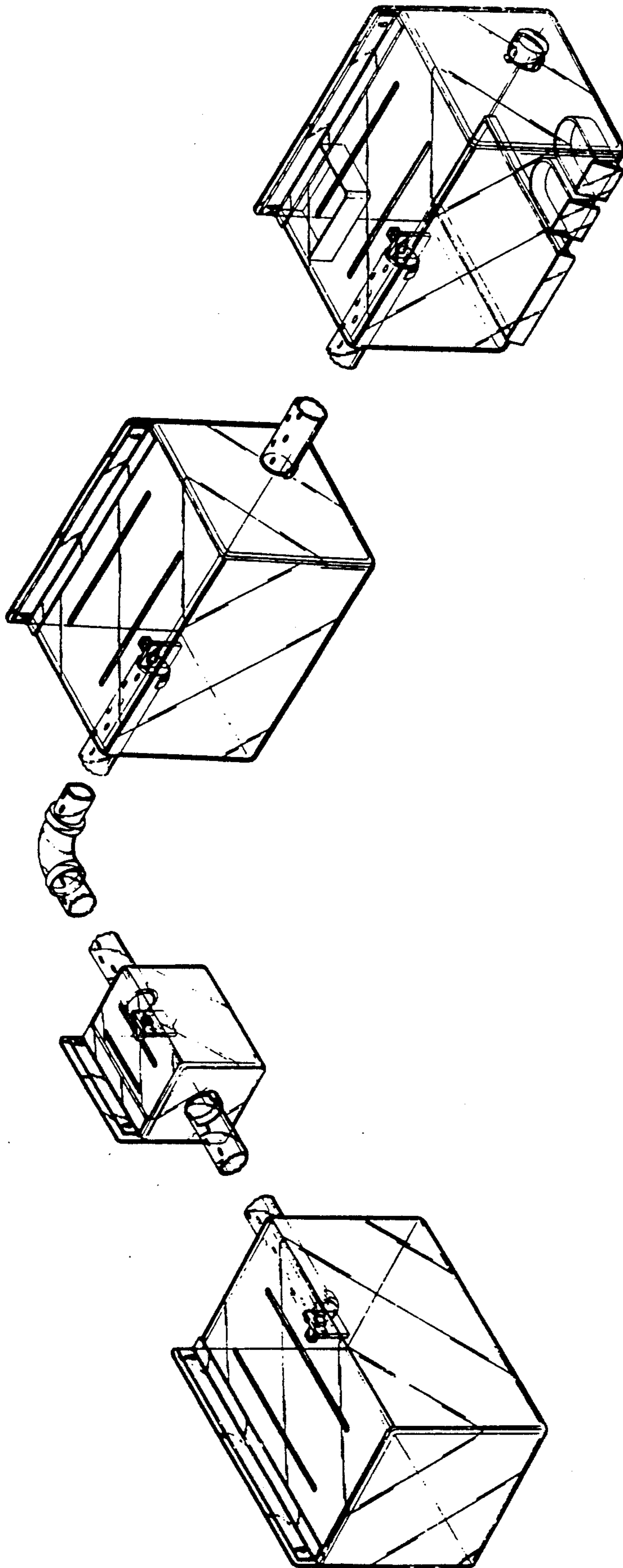
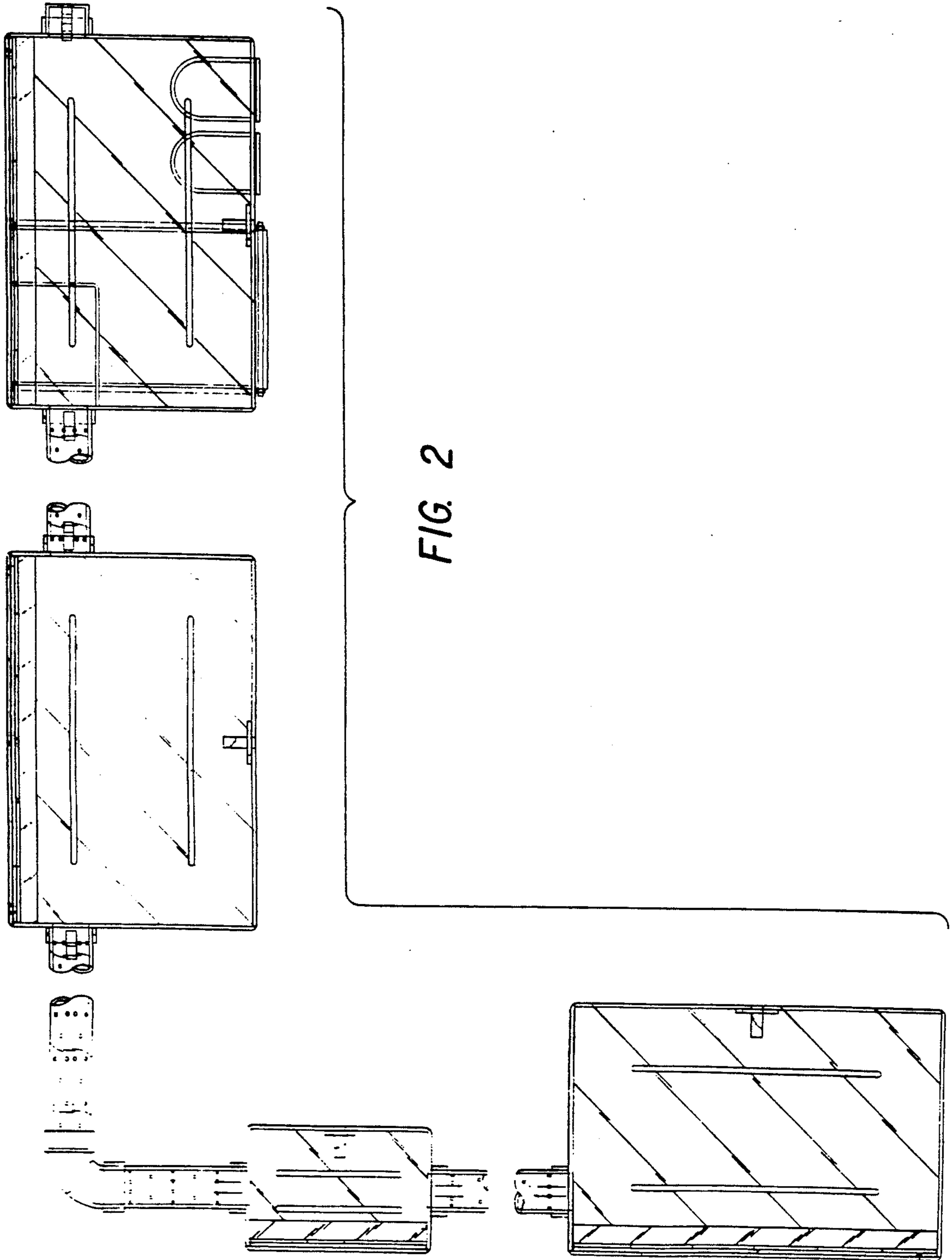


FIG. 1



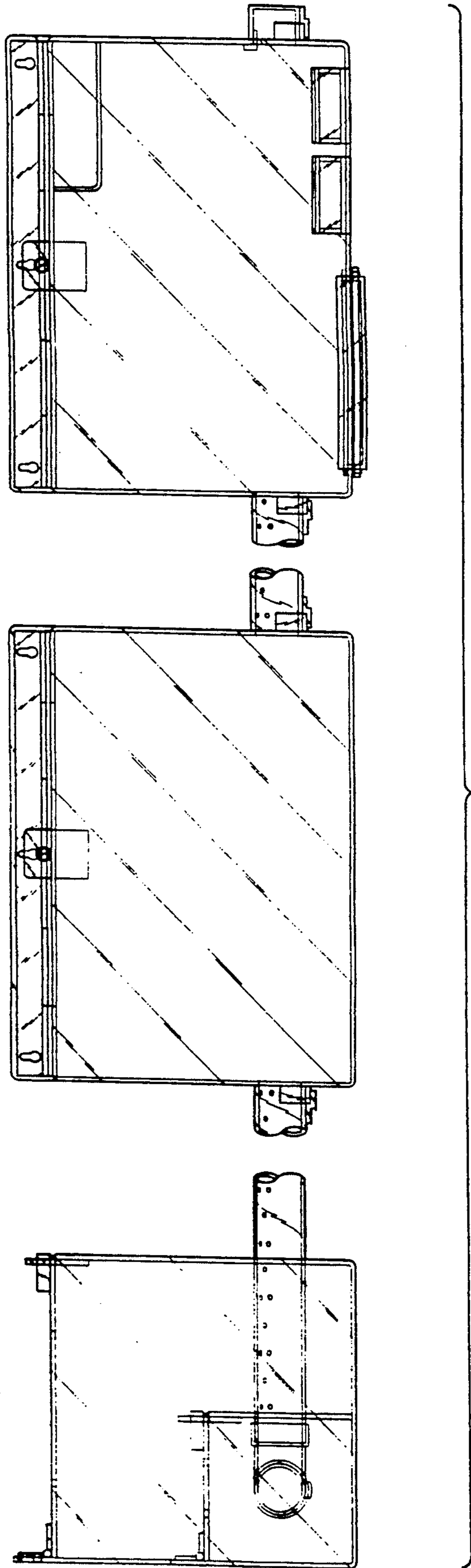


FIG. 3

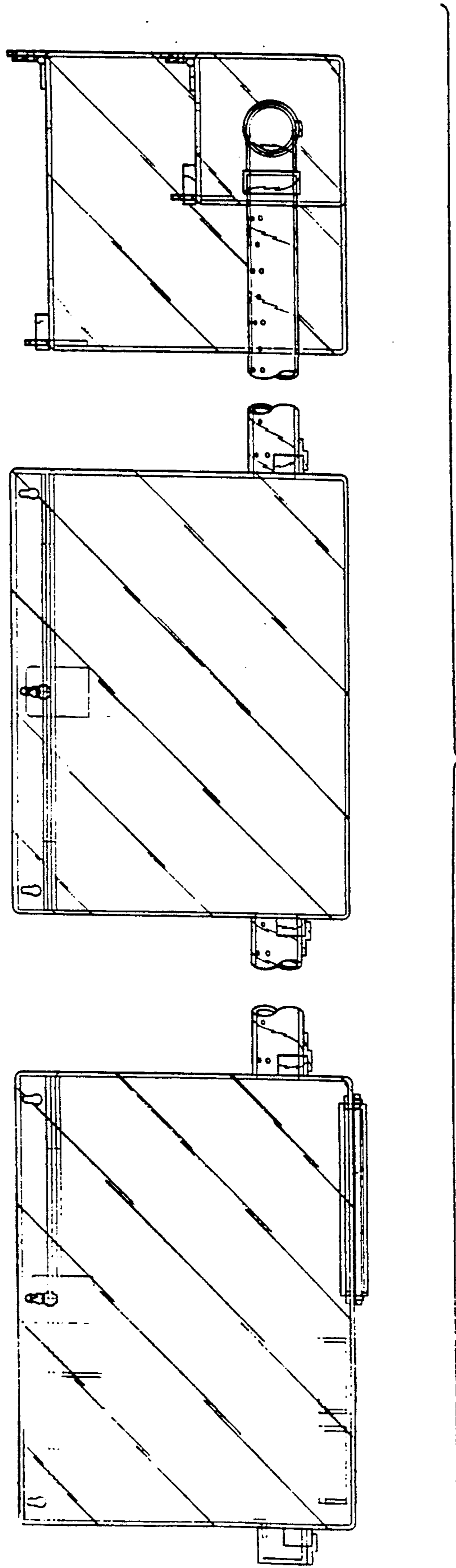


FIG. 4

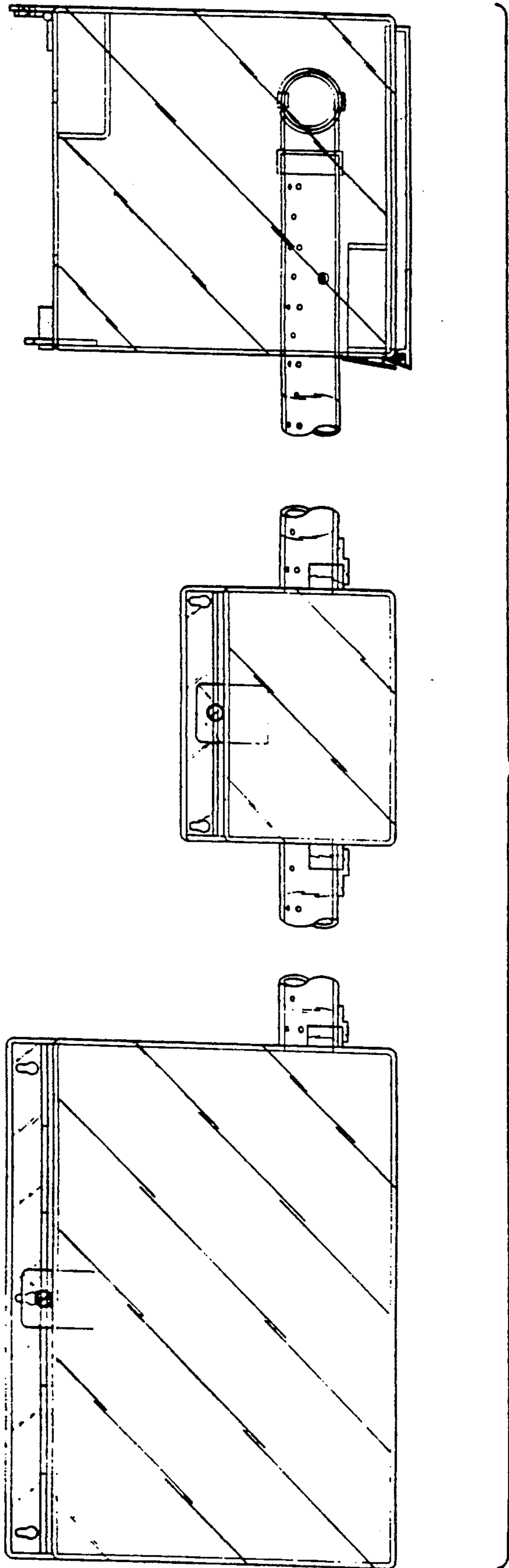


FIG. 5

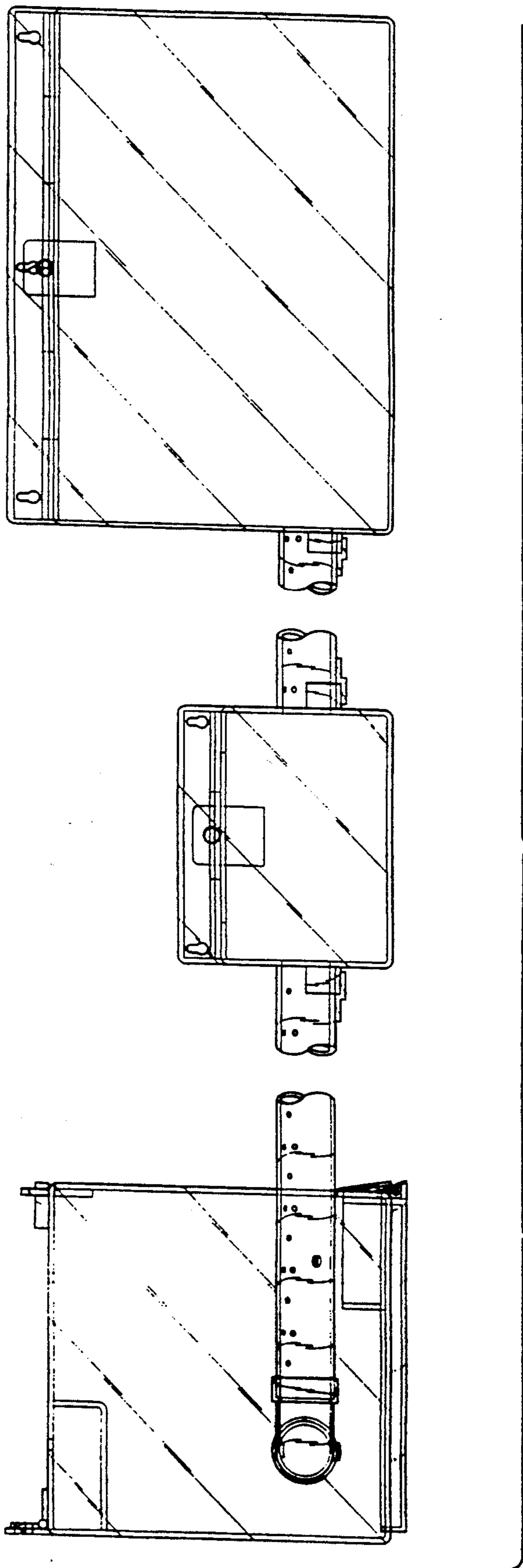


FIG. 6

