



US00D347911S

# United States Patent [19]

Tominaga

[11] Patent Number: **Des. 347,911**

[45] Date of Patent: **\*\* Jun. 14, 1994**

[54] **AQUARIUM**

[75] Inventor: **Kazutoshi Tominaga,**  
Higashiosakashi, Japan

[73] Assignee: **Kabushiki Kaisha Tominaga Jyushi**  
Kogyosho, Osaka, Japan

[\*\*] Term: **14 Years**

[21] Appl. No.: **836,113**

[22] Filed: **Feb. 14, 1992**

[52] U.S. Cl. .... **D30/101**

[58] Field of Search ..... **119/3, 5; D3/106;**  
**D30/101-107**

[56] **References Cited**

**U.S. PATENT DOCUMENTS**

D. 231,787	6/1974	Burnley .....	119/5
3,738,319	6/1973	Dinnerstein .....	119/5
4,267,798	5/1981	Collins .....	119/3
5,078,093	1/1992	Flaherty .....	119/5
5,090,357	2/1992	Pucci .....	119/5
5,090,358	2/1992	Waldman .....	119/5

**FOREIGN PATENT DOCUMENTS**

1160691	1/1964	Fed. Rep. of Germany .....	119/5
2239402	7/1991	United Kingdom .....	119/5

*Primary Examiner*—Cathy Anne MacCormac  
*Attorney, Agent, or Firm*—Collard & Roe

[57] **CLAIM**

The ornamental design for an aquarium, as shown and described.

**DESCRIPTION**

FIG. 1 is a perspective view of an aquarium showing my new design;  
 FIG. 2 is a front elevational view thereof;  
 FIG. 3 is a top plan view thereof;  
 FIG. 4 is a rear elevational view thereof;  
 FIG. 5 is a bottom plan view thereof;  
 FIG. 6 is a right side elevational view thereof, the left side being a mirror image of the right side shown;  
 FIG. 7 is a cross-sectional view taken on line 7—7 of FIG. 2; and,  
 FIG. 8 is an exploded perspective view thereof.

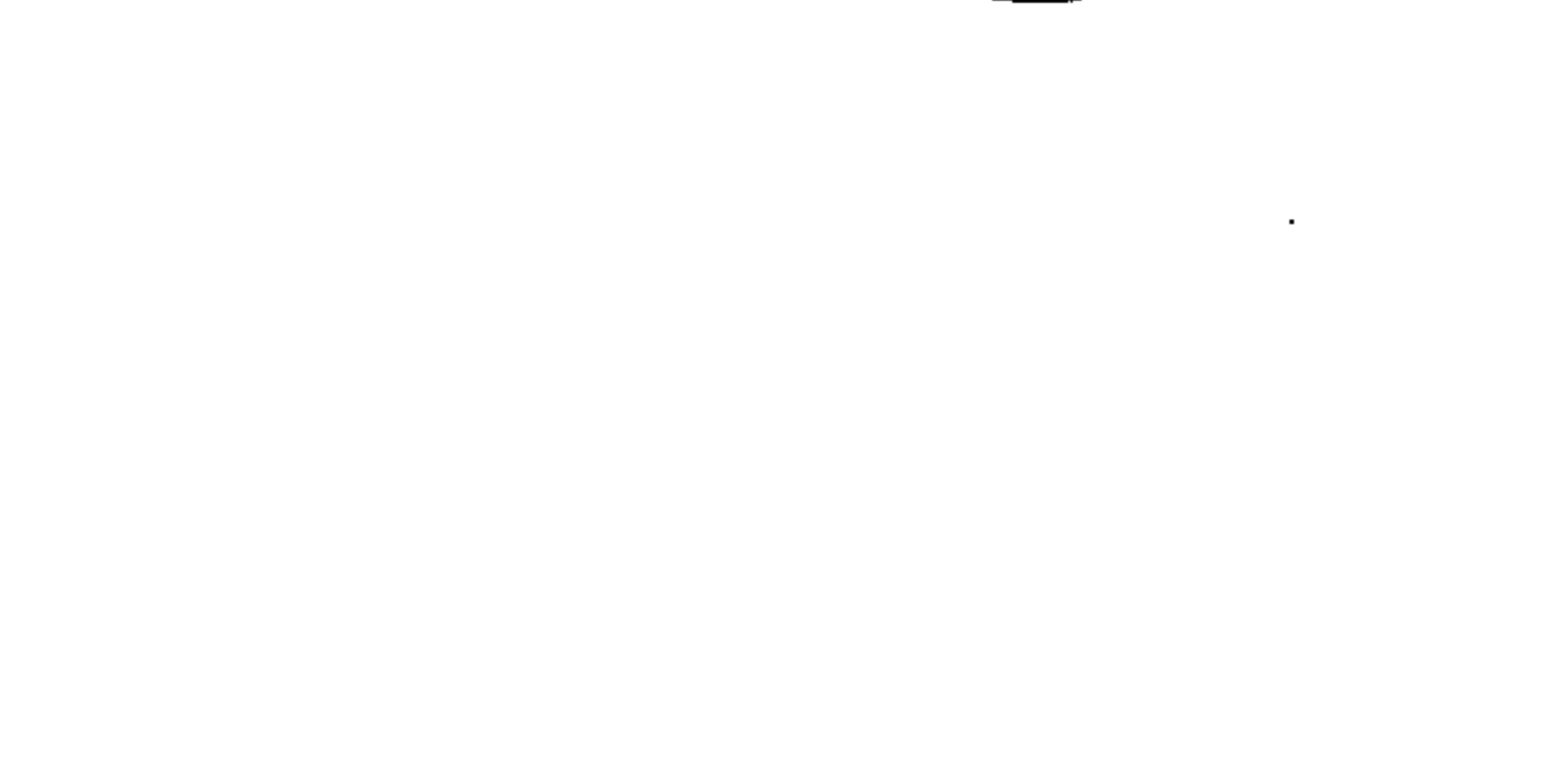
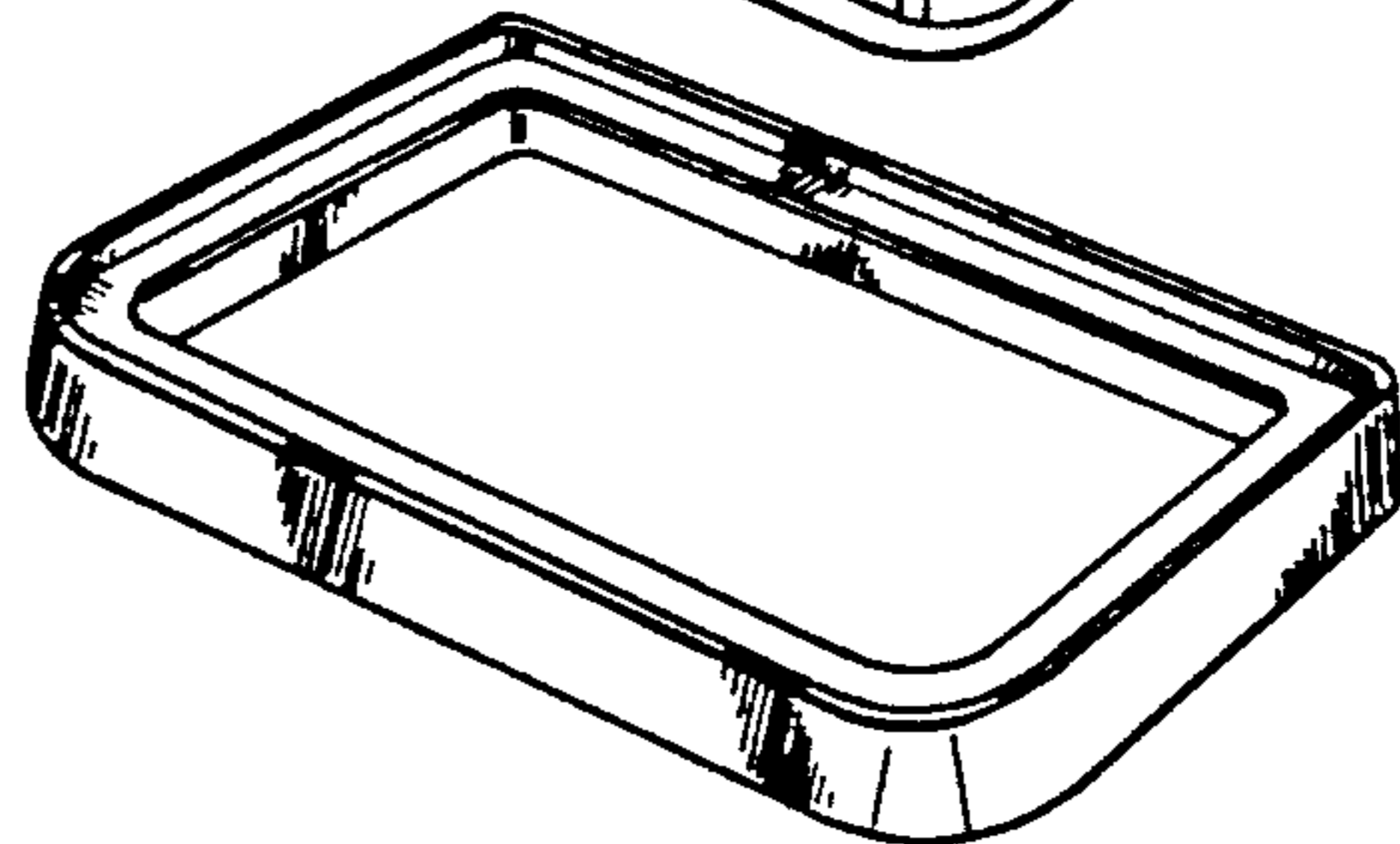
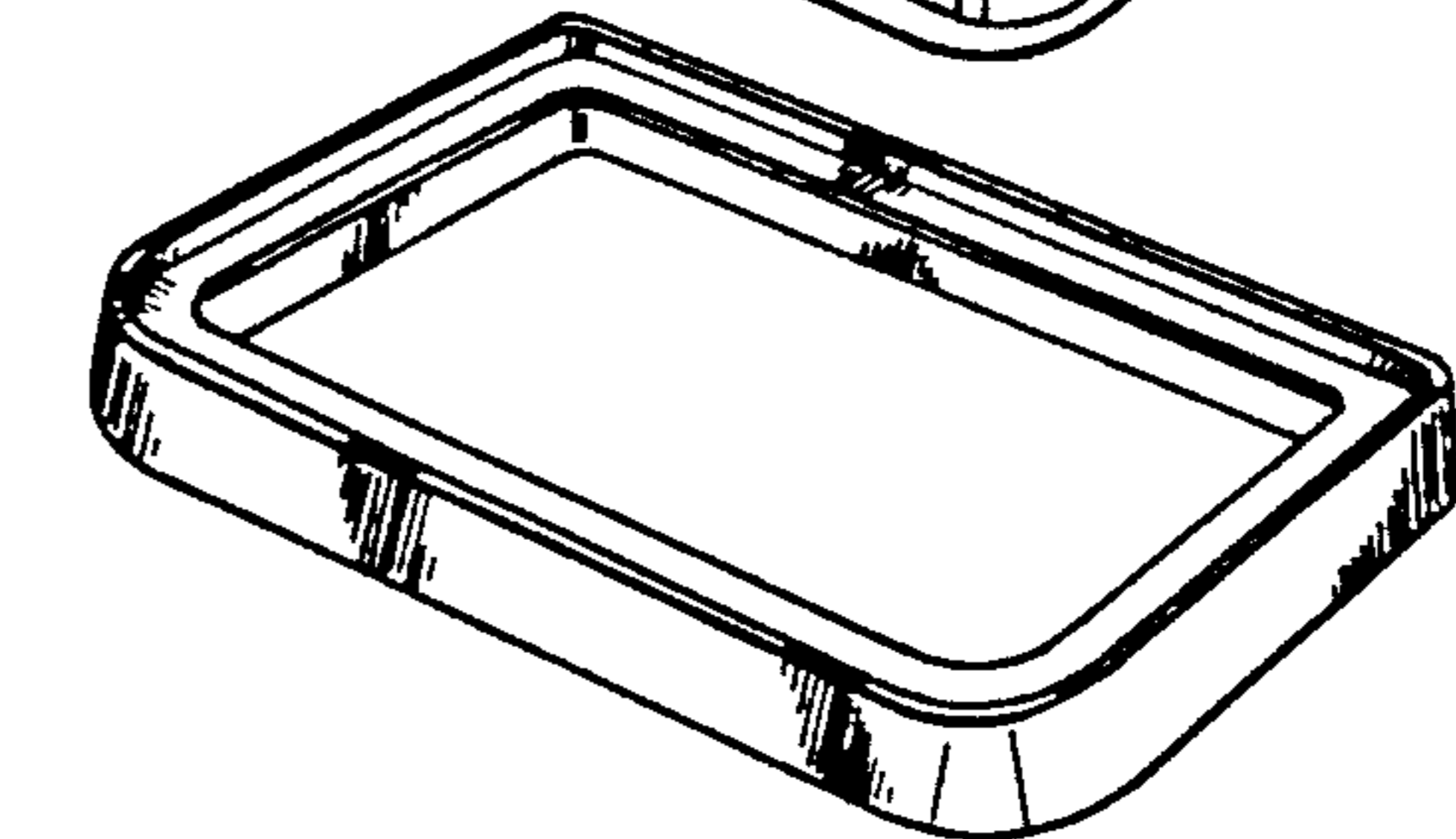
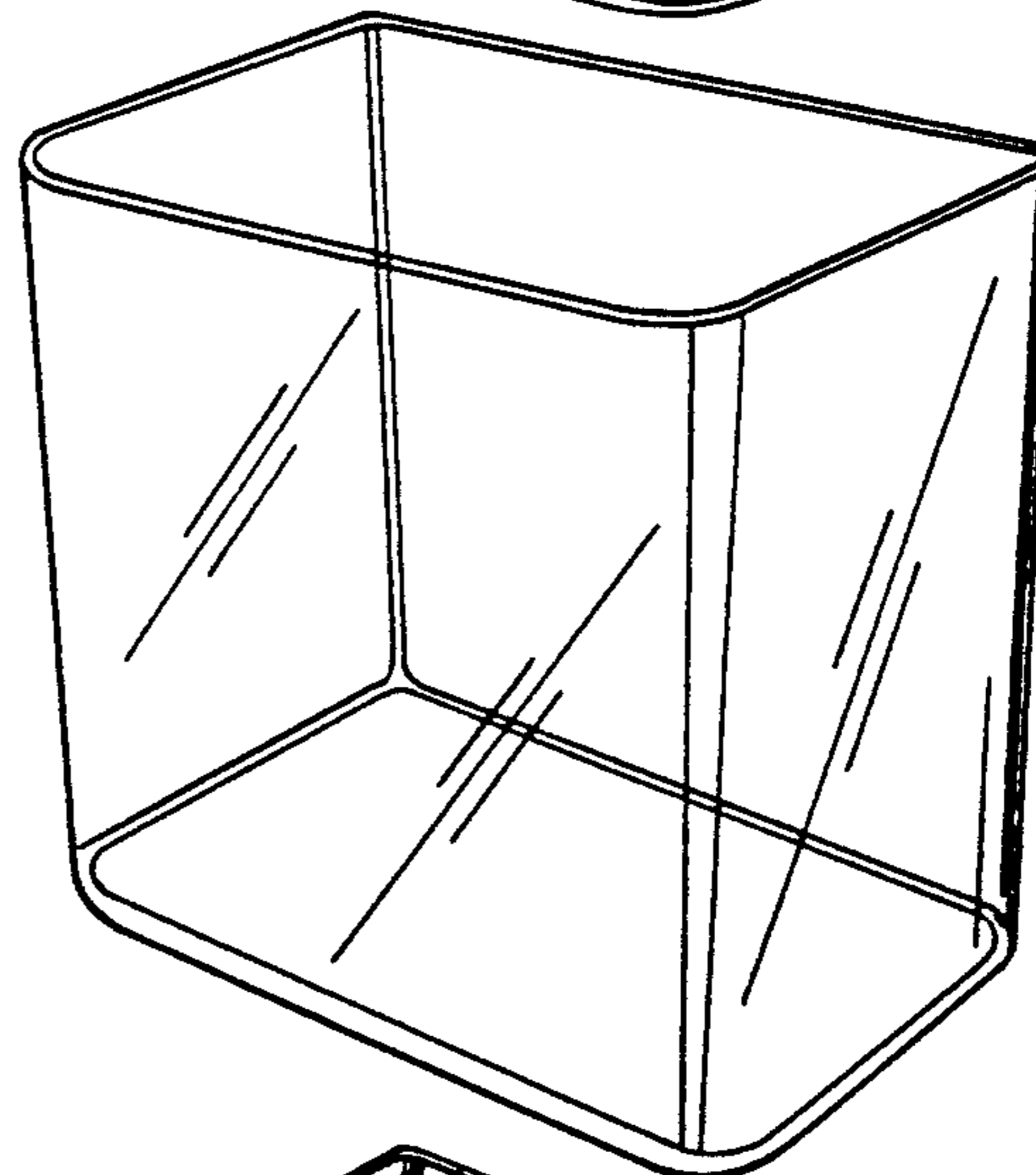
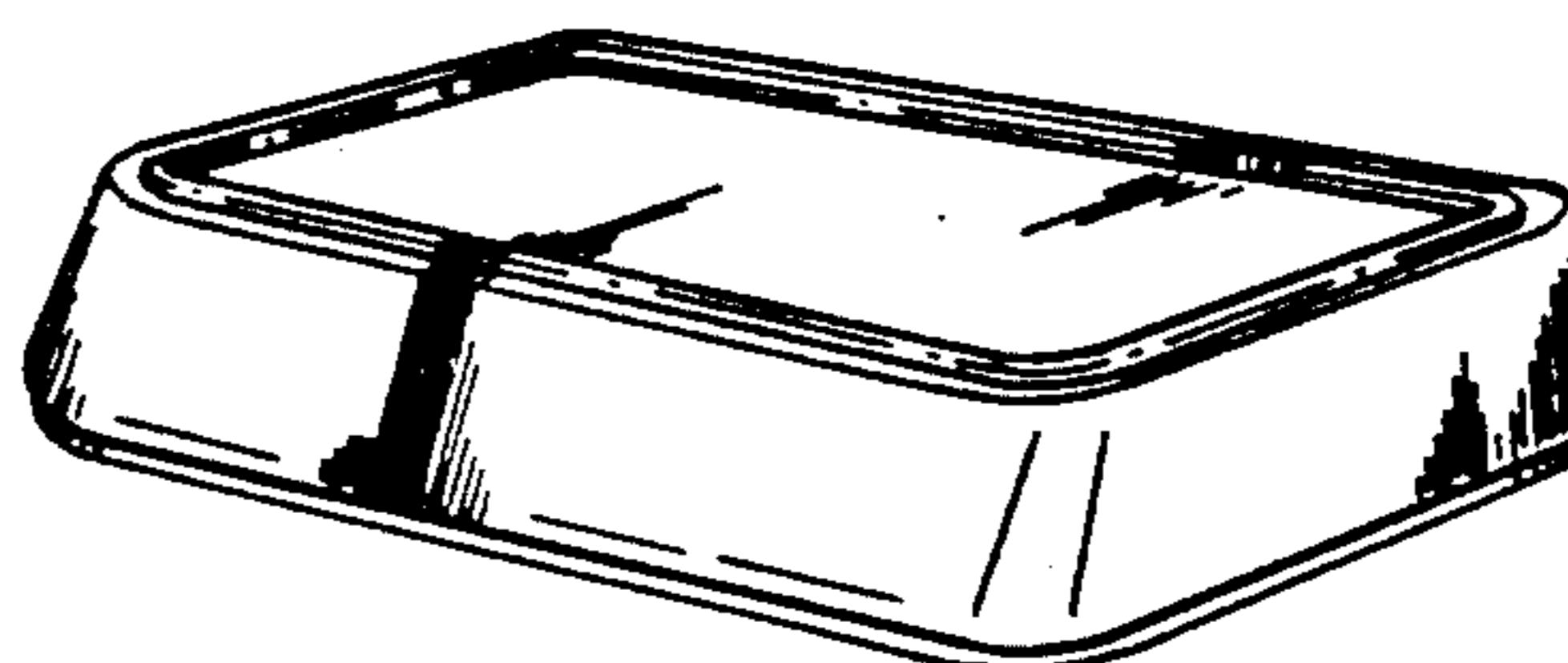
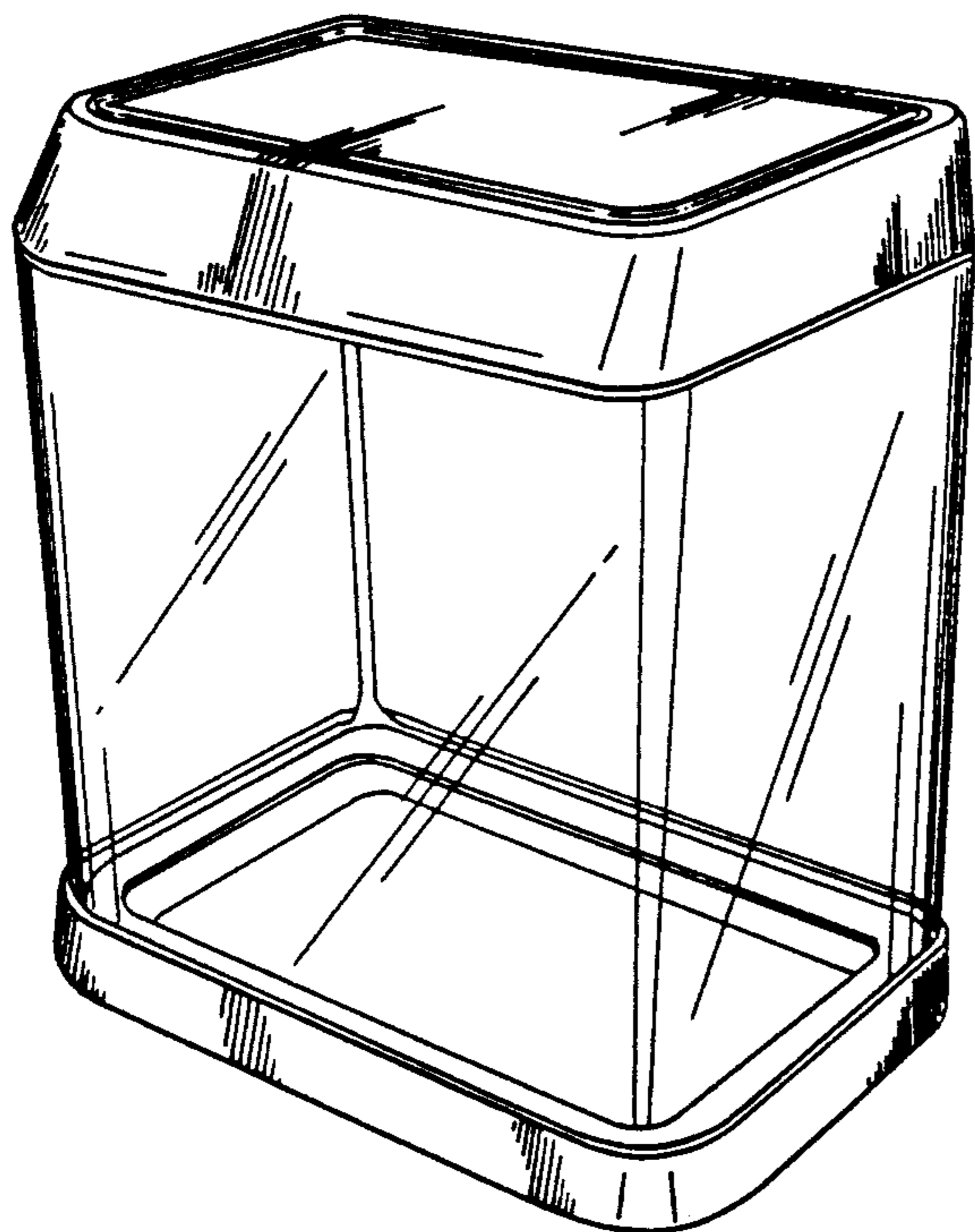
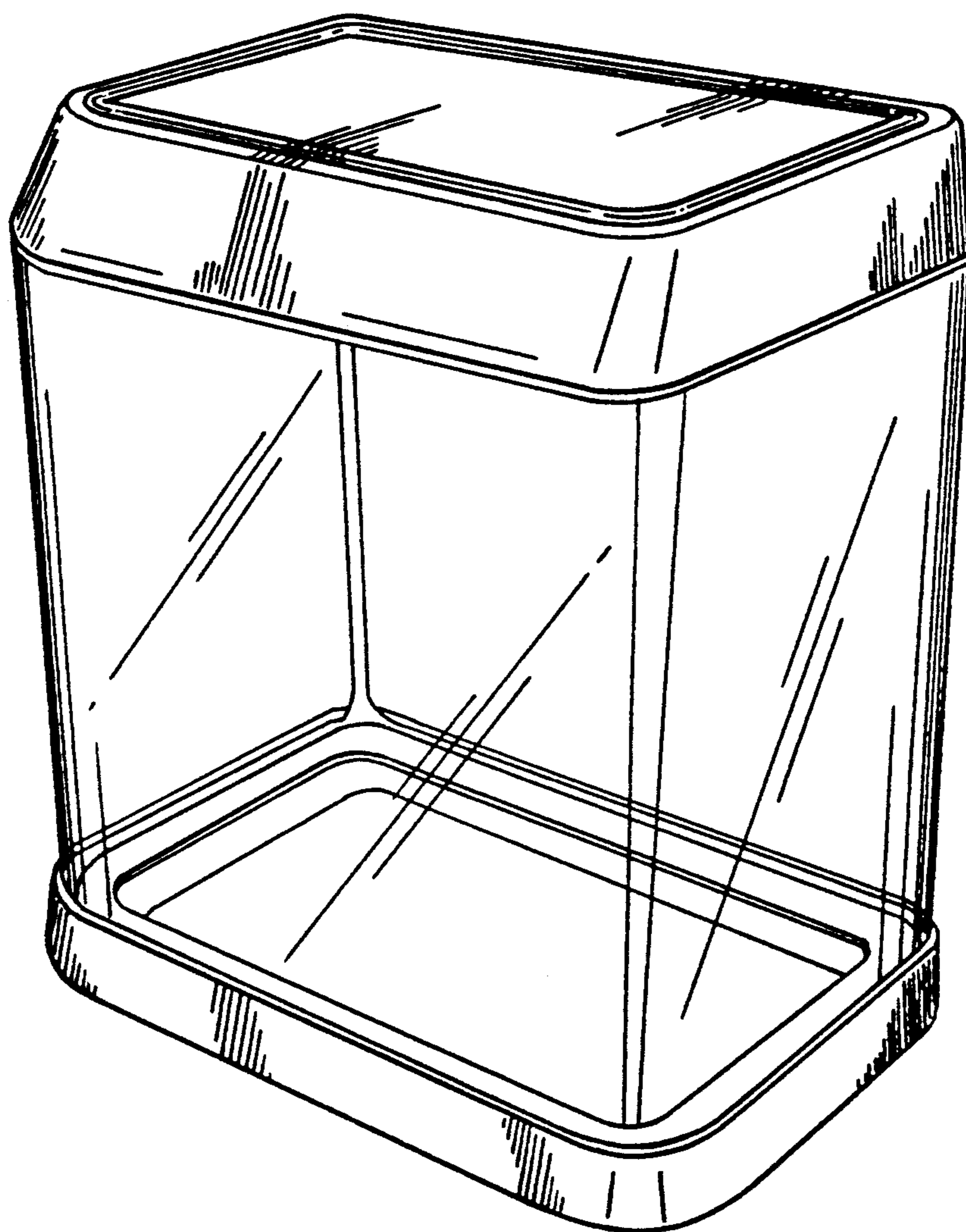
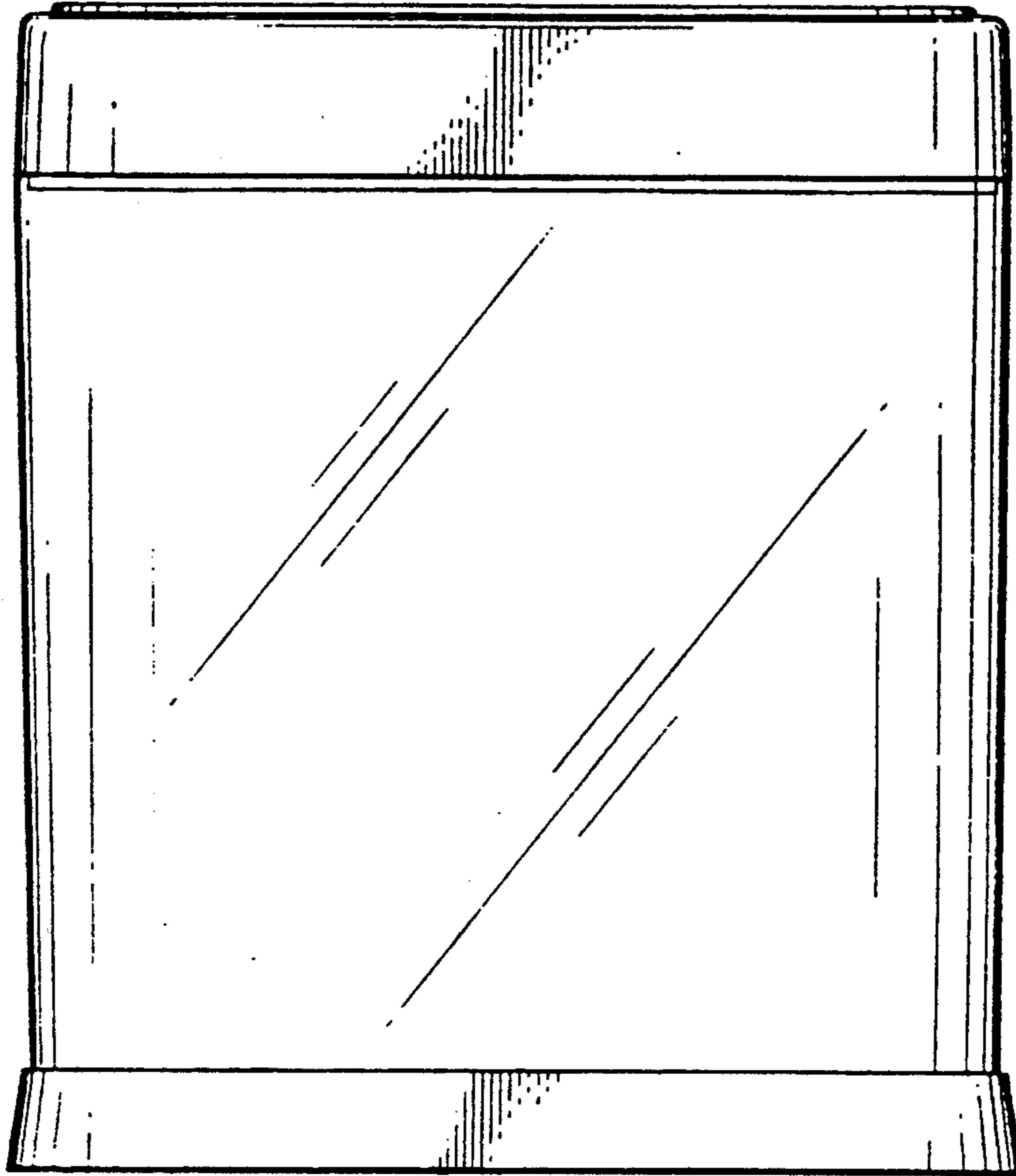


FIG. 1



← 7



← 7  
FIG. 2

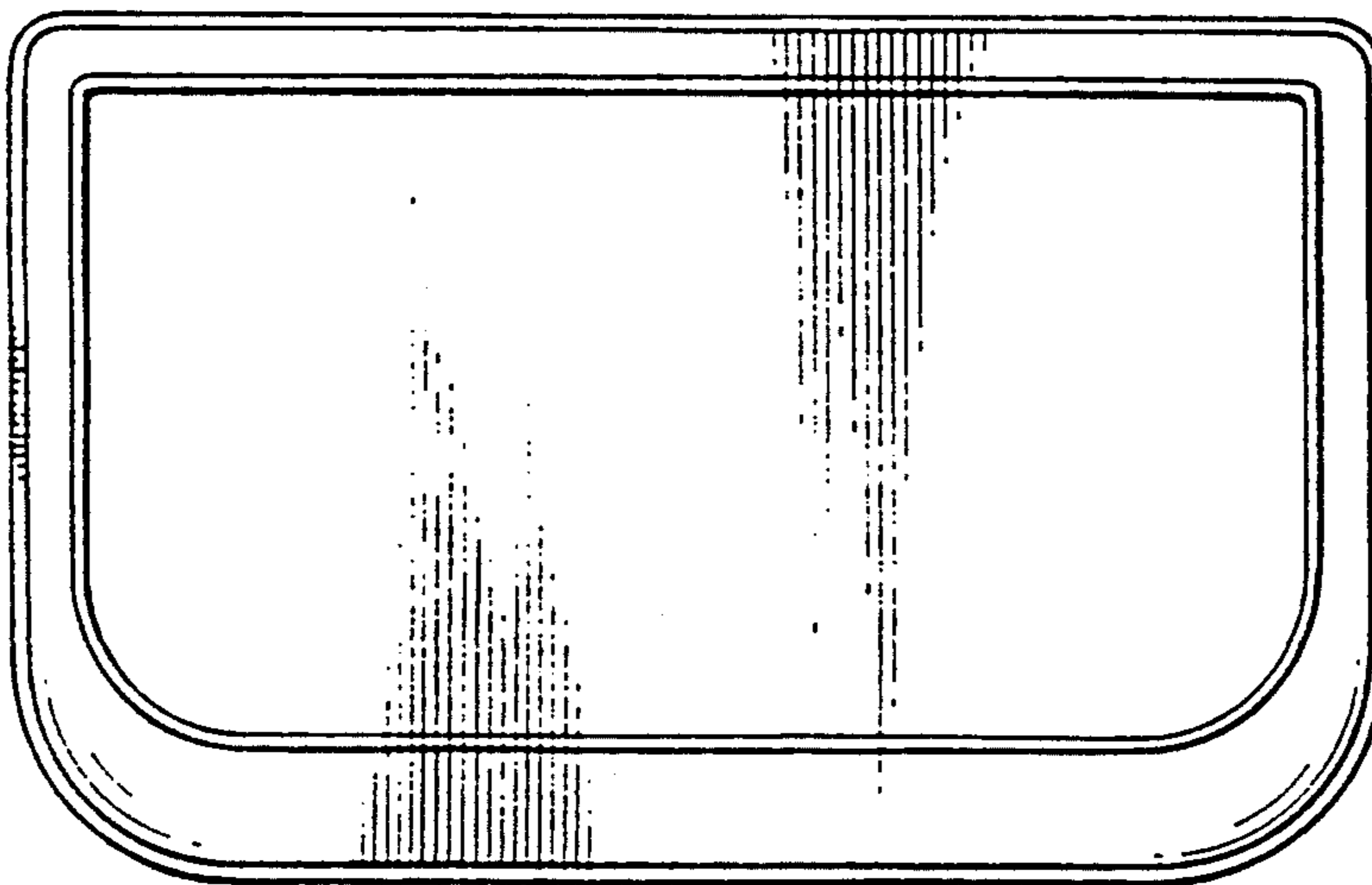


FIG. 3

FIG. 4

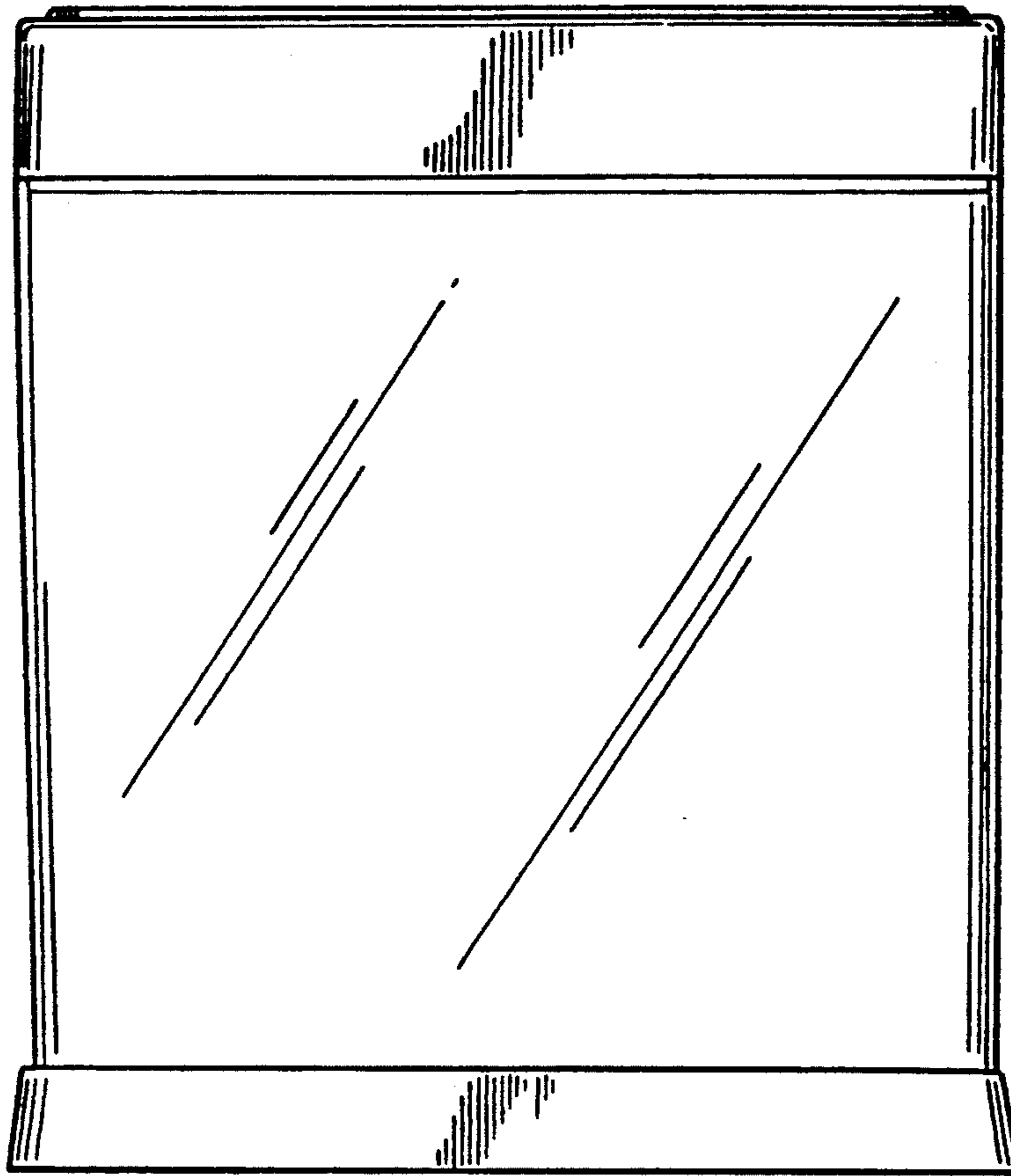
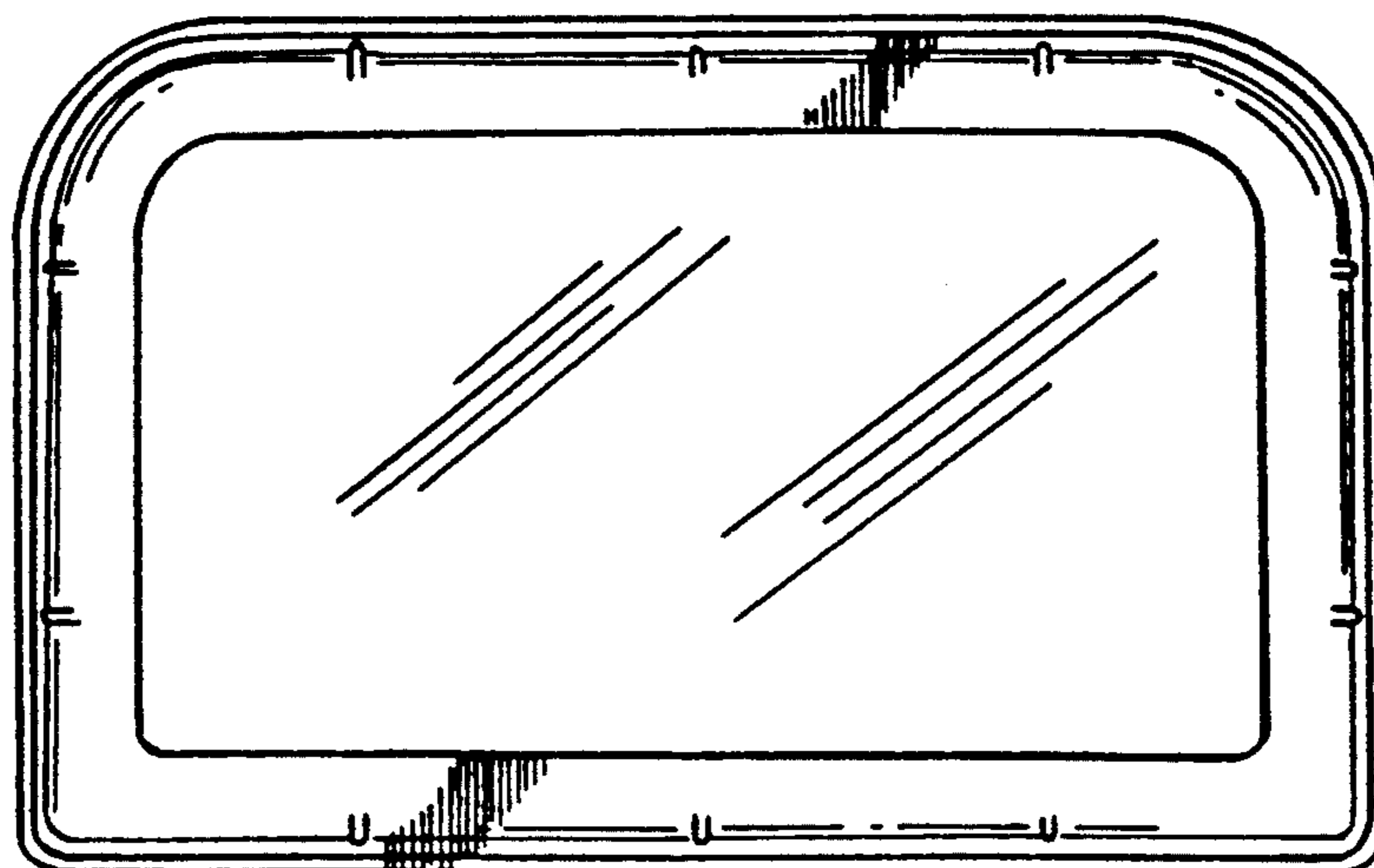


FIG. 5



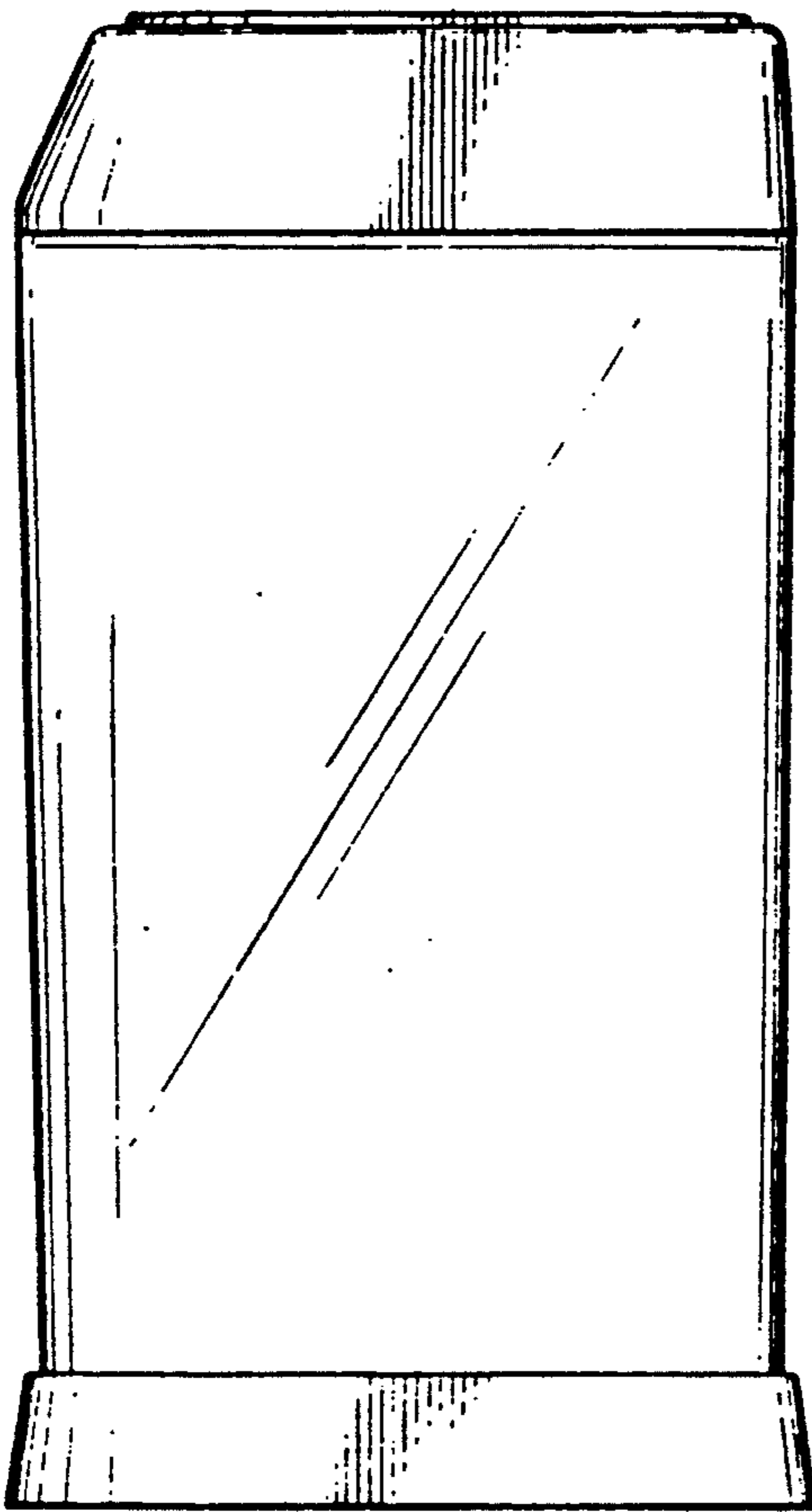


FIG. 6

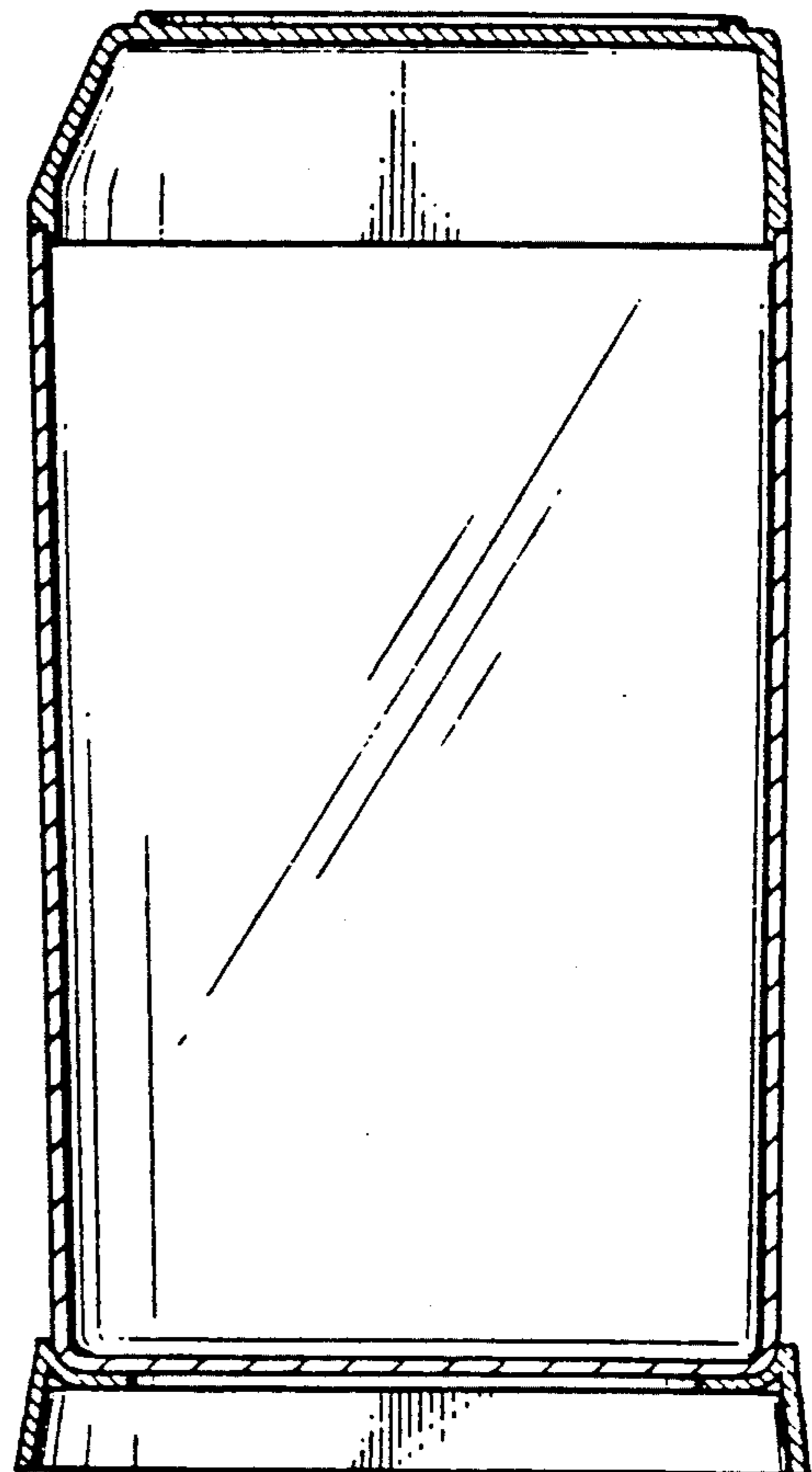


FIG. 7

FIG. 8

