



US00D347907S

United States Patent [19]

[11] Patent Number: **Des. 347,907**

Stahel

[45] Date of Patent: **** Jun. 14, 1994**

[54] MOTORCYCLE TAILLIGHT COVER

4,441,144 4/1984 Horiuchi et al. 362/82

[75] Inventor: **Alwin J. Stahel, St. Paul, Minn.**

Primary Examiner—Susan J. Lucas
Attorney, Agent, or Firm—Glen E. Schumann

[73] Assignee: **KuryAkyn Holdings, Inc., Somerset, Wis.**

[57] CLAIM

[**] Term: **14 Years**

The ornamental design for a motorcycle taillight cover, as shown and described.

[21] Appl. No.: **520**

DESCRIPTION

[22] Filed: **Oct. 16, 1992**

[52] U.S. Cl. **D26/139**

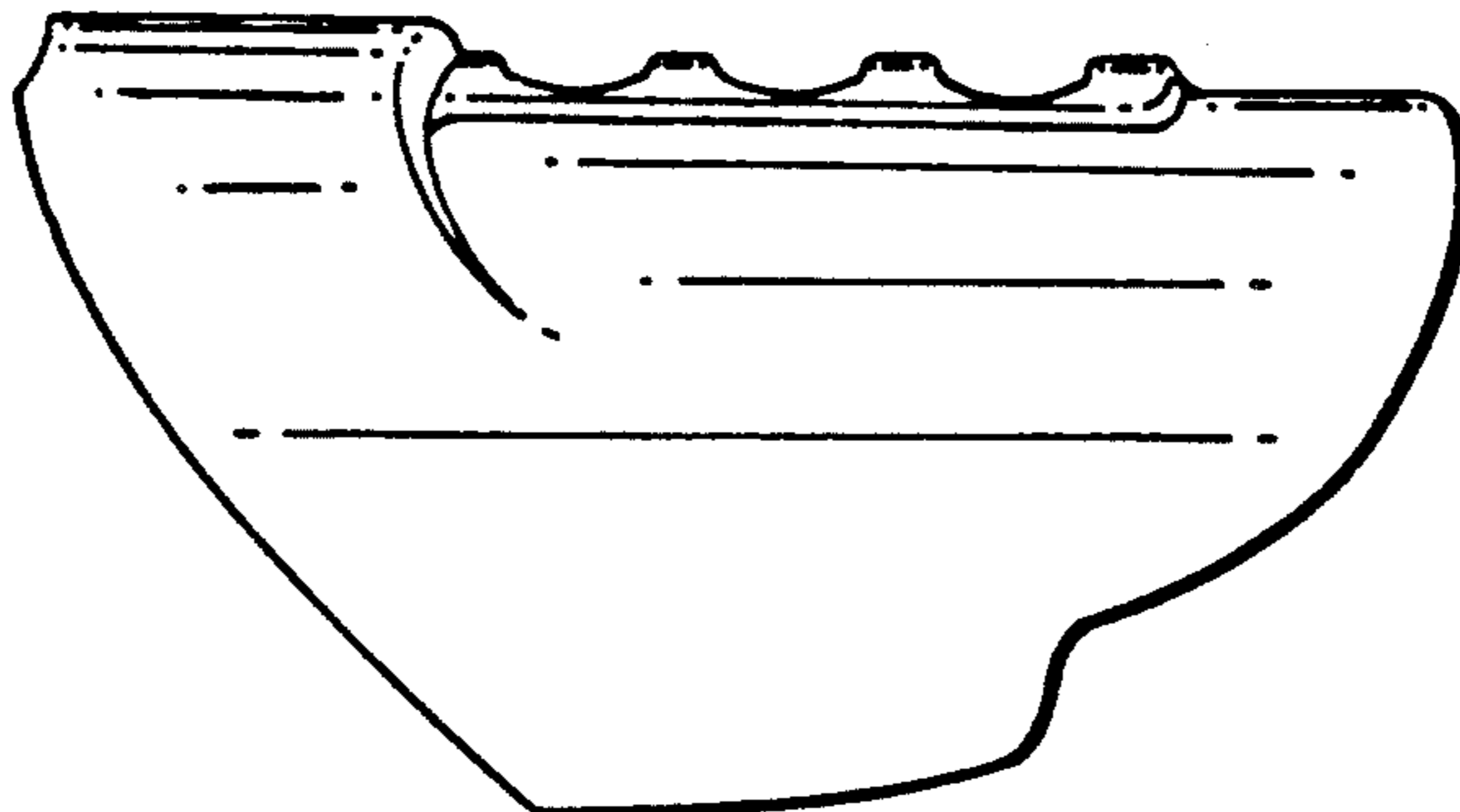
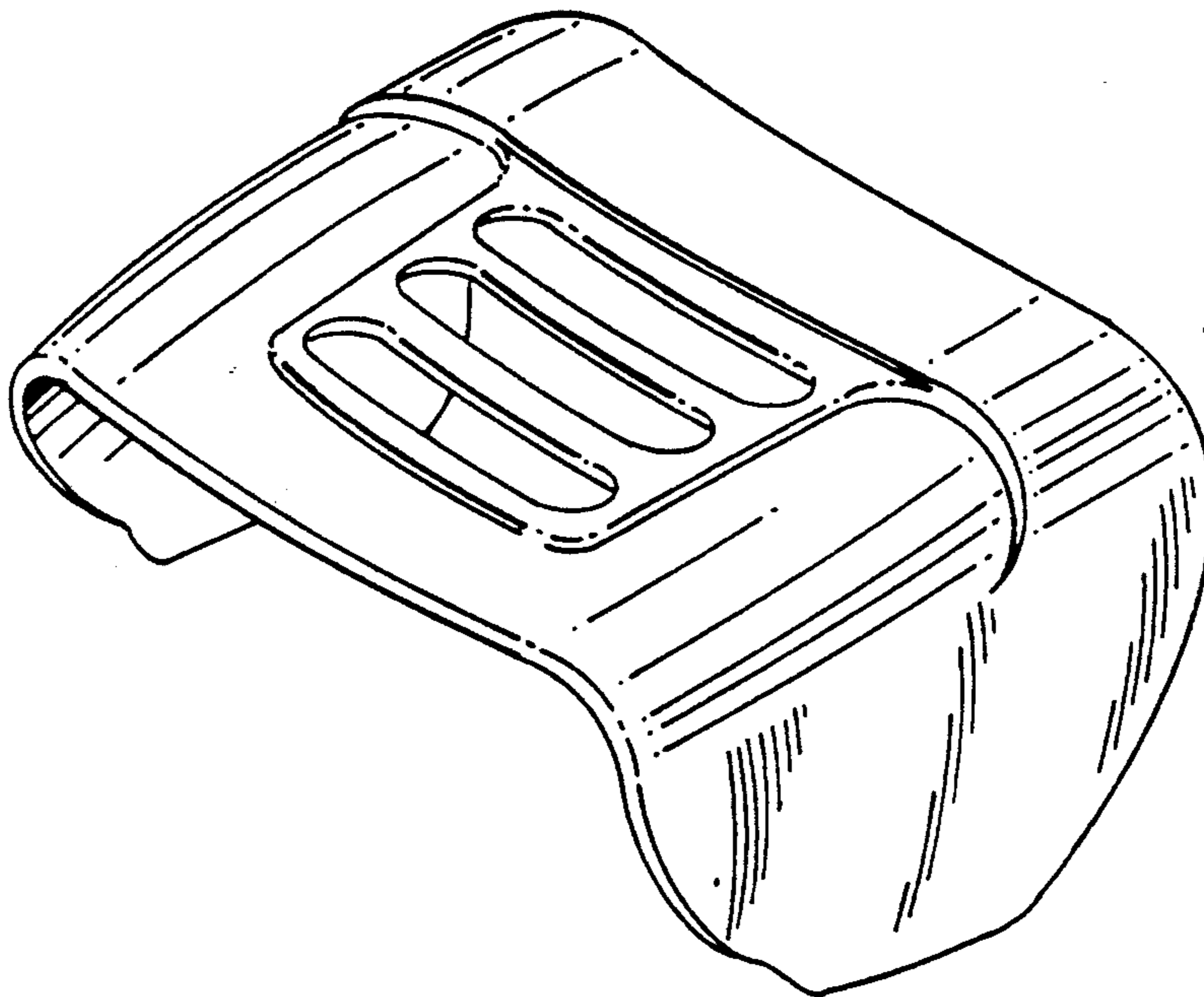
[58] Field of Search 362/61, 80, 80.1, 82, 362/83, 83.3, 359; D26/28-36, 139

FIG. 1 is a perspective view as seen from the front, top and side of a motorcycle taillight cover; FIG. 2 is a front elevation view thereof; FIG. 3 is a rear elevation view thereof; FIG. 4 is a bottom plan view thereof; FIG. 5 is a side elevation view thereof; FIG. 6 is a top plan view thereof; and, FIG. 7 is a side elevation view thereof, from a side opposite that of FIG. 5.

[56] References Cited

U.S. PATENT DOCUMENTS

D. 84,982 9/1931 Frame D26/139



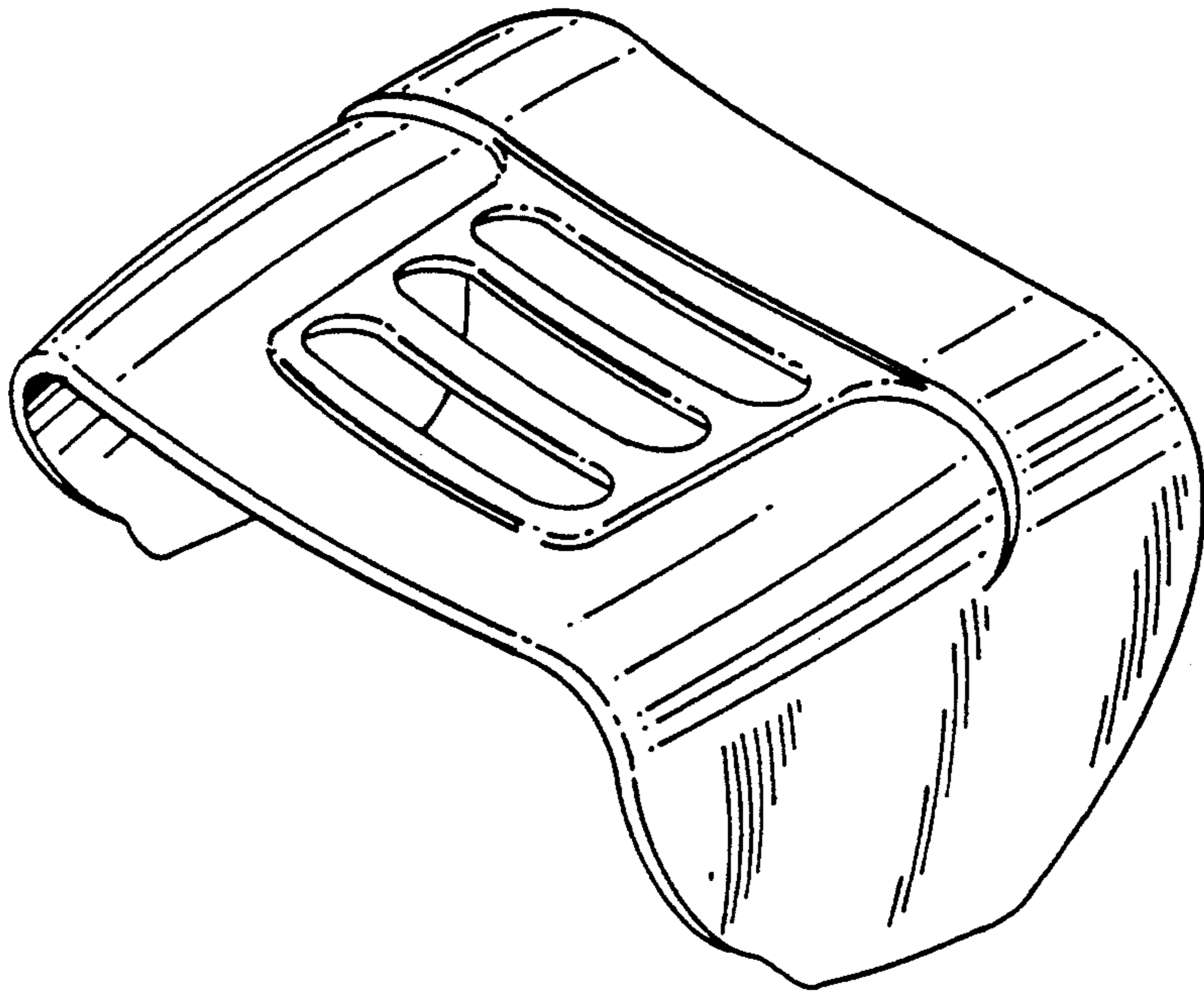


Fig. 1

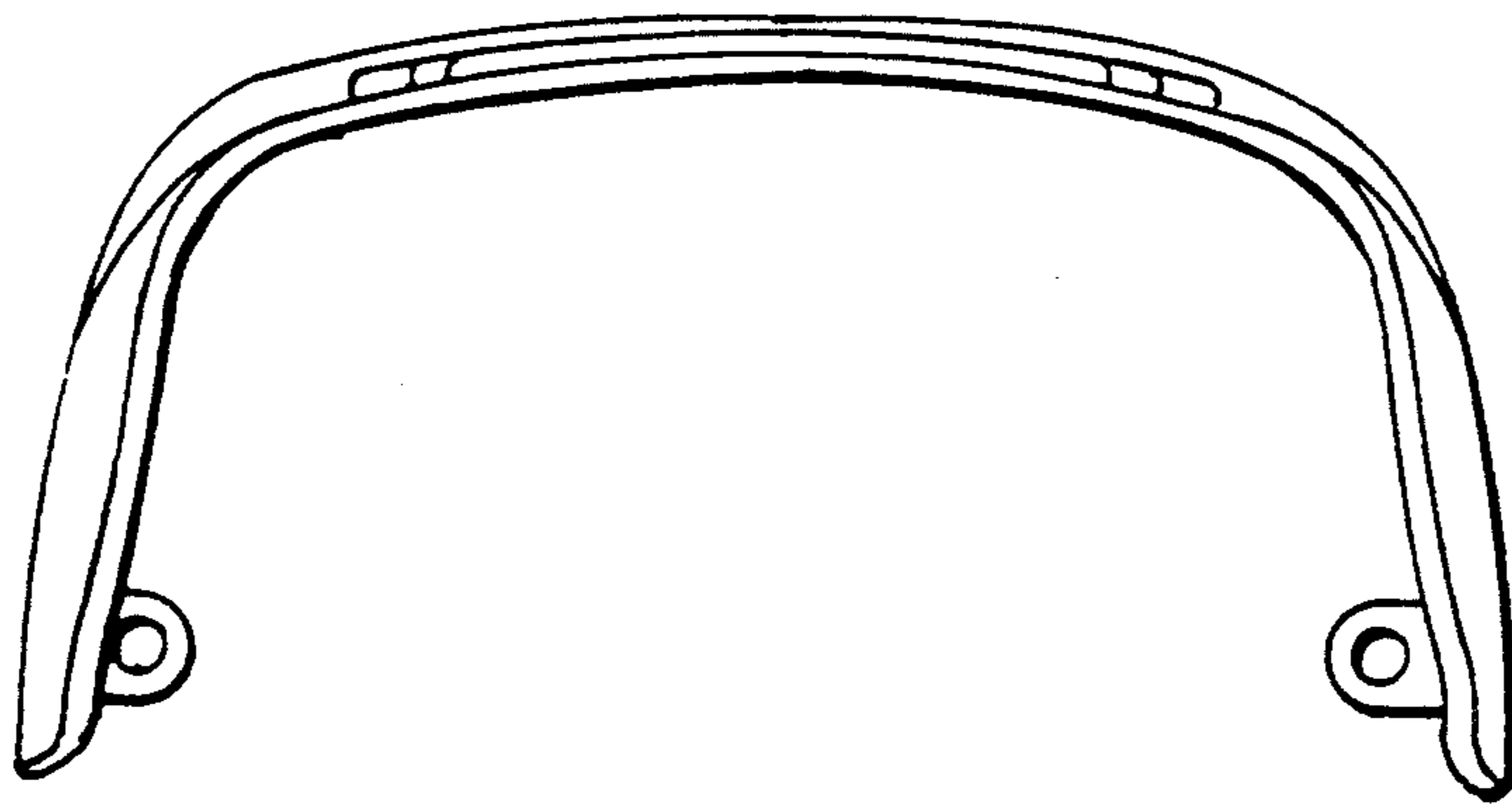


Fig. 2

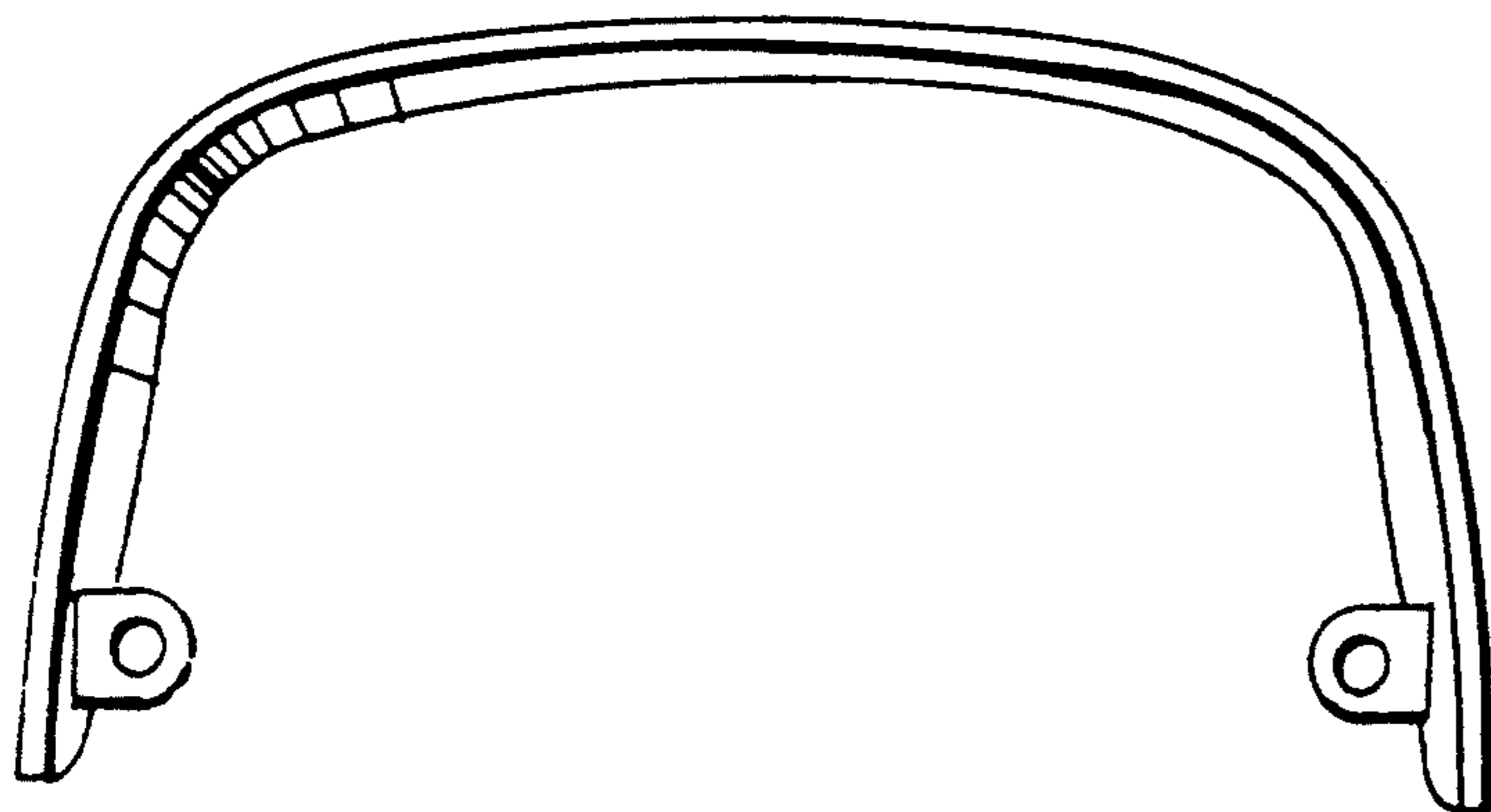


Fig. 3

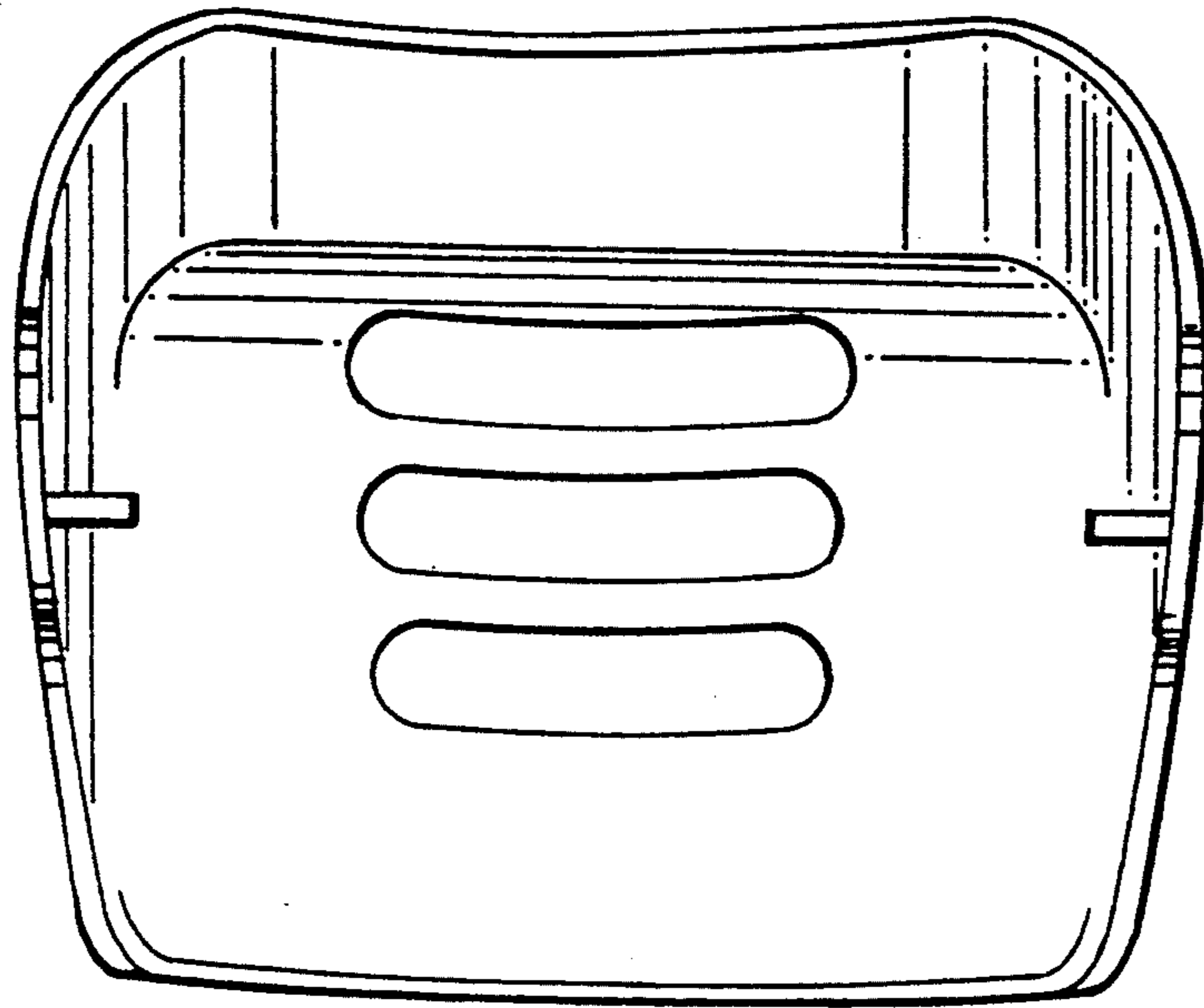


Fig. 4

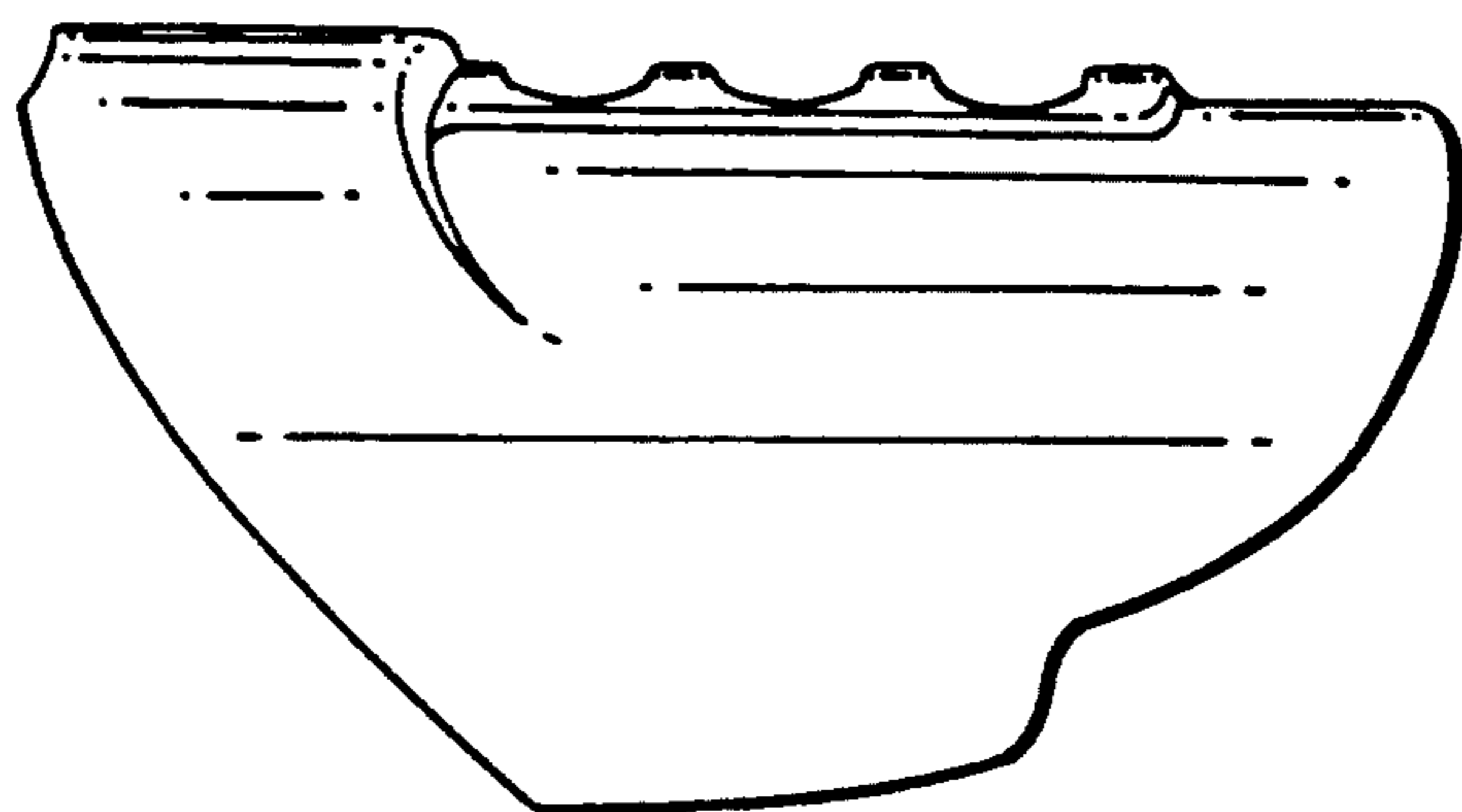


Fig. 5

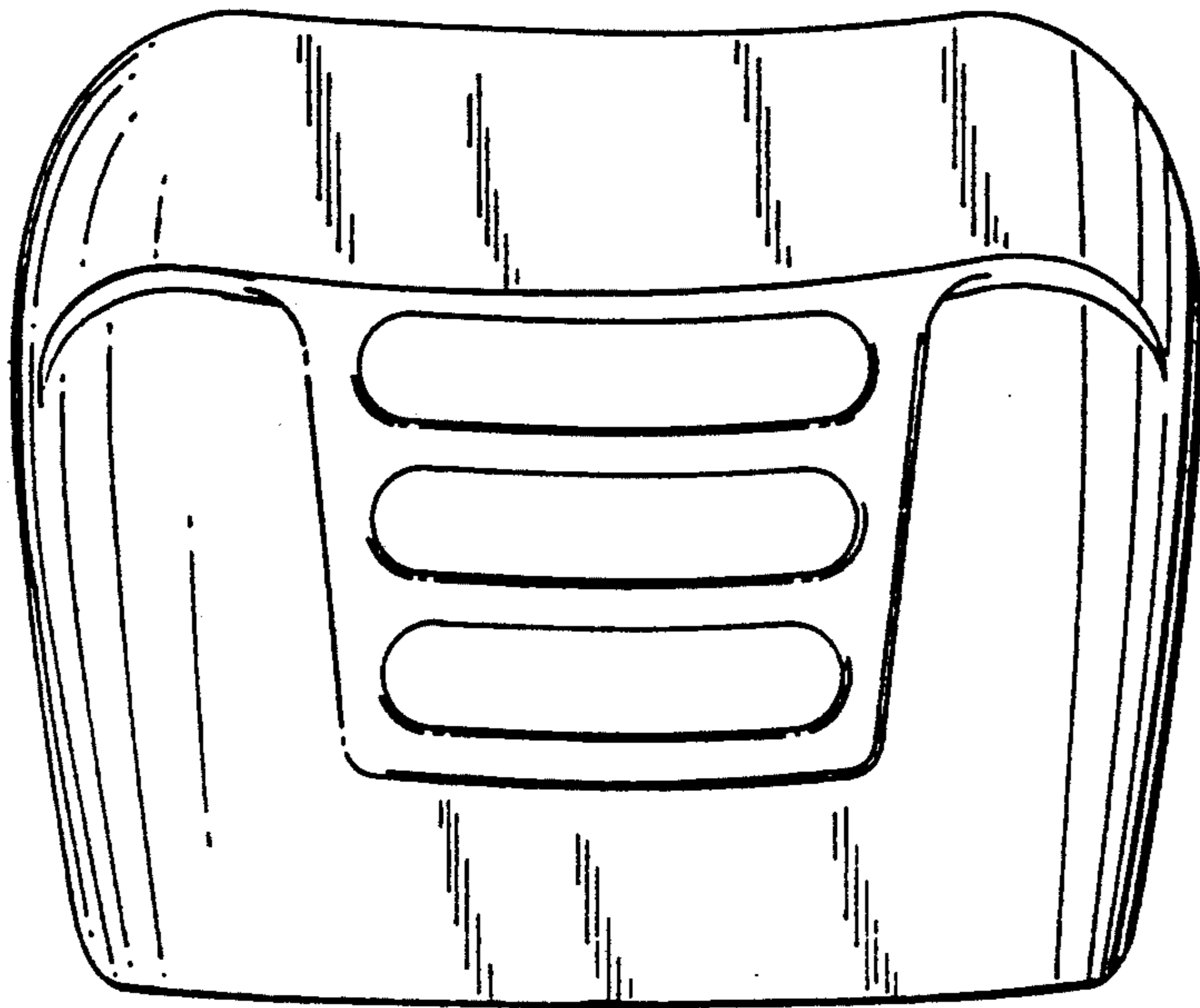


Fig. 6

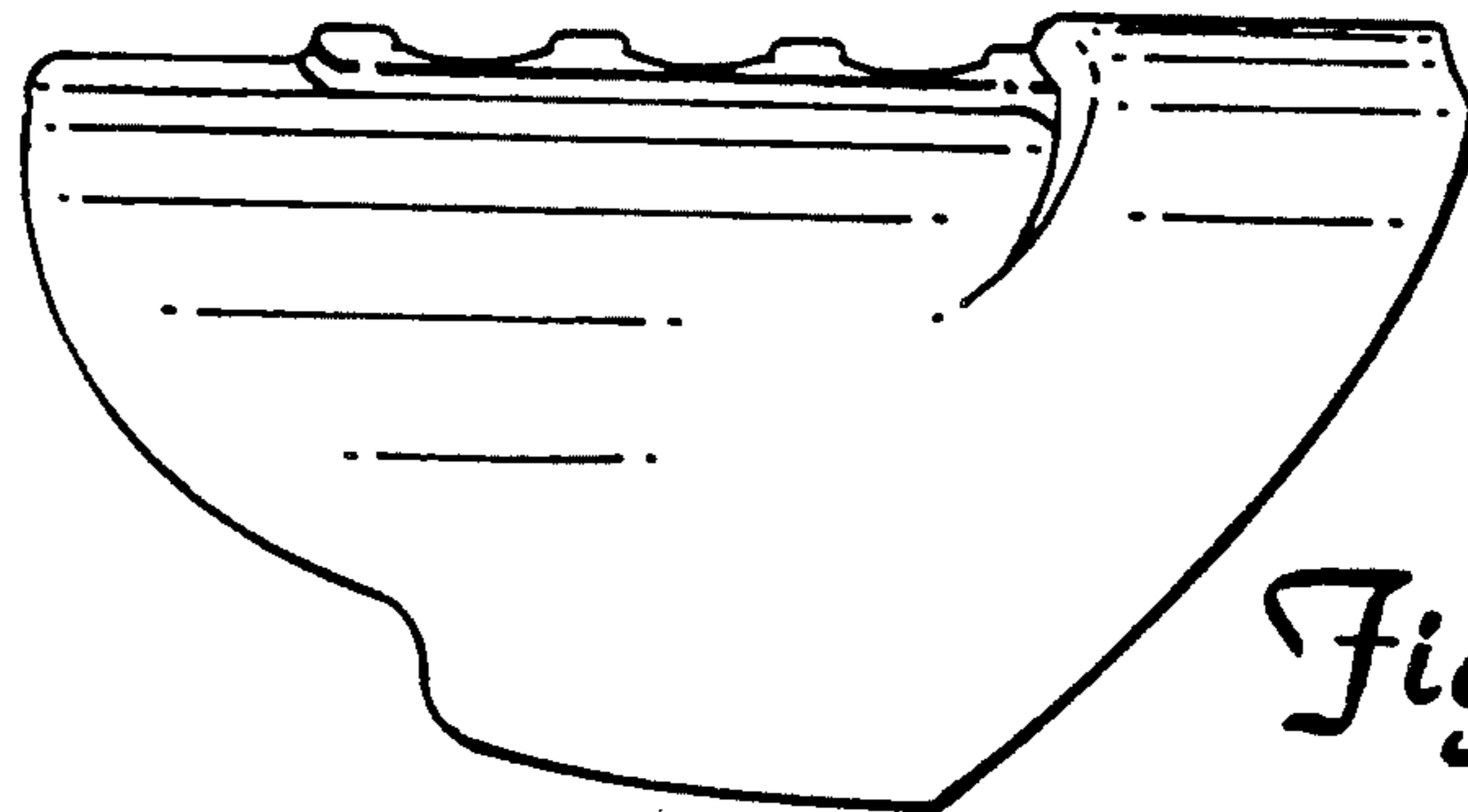


Fig. 7