



US00D347905S

United States Patent [19]

[11] Patent Number: **Des. 347,905**

Barbour

[45] Date of Patent: **** Jun. 14, 1994**

[54] **STREET LAMP**

Attorney, Agent, or Firm—Hopkins & Thomas

[76] Inventor: **David D. Barbour**, 165 Harborview Ave., Bridgeport, Conn. 06605

[57] **CLAIM**

The ornamental design for the street lamp, as shown and described.

[**] Term: **14 Years**

DESCRIPTION

[21] Appl. No.: **896,346**

FIG. 1 is a perspective view of the street lamp showing my new design;

[22] Filed: **Jun. 11, 1992**

FIG. 2 is a front elevational view thereof;

[52] U.S. Cl. **D26/67; D26/85**

FIG. 3 is a bottom plan view thereof;

[58] Field of Search **362/431, 153, 153.1, 362/362, 363, 147; D26/67-71, 72, 85, 88**

FIG. 4 is a top plan view thereof;

FIG. 5 is an elevation view thereof rotated 45° from FIG. 2; and,

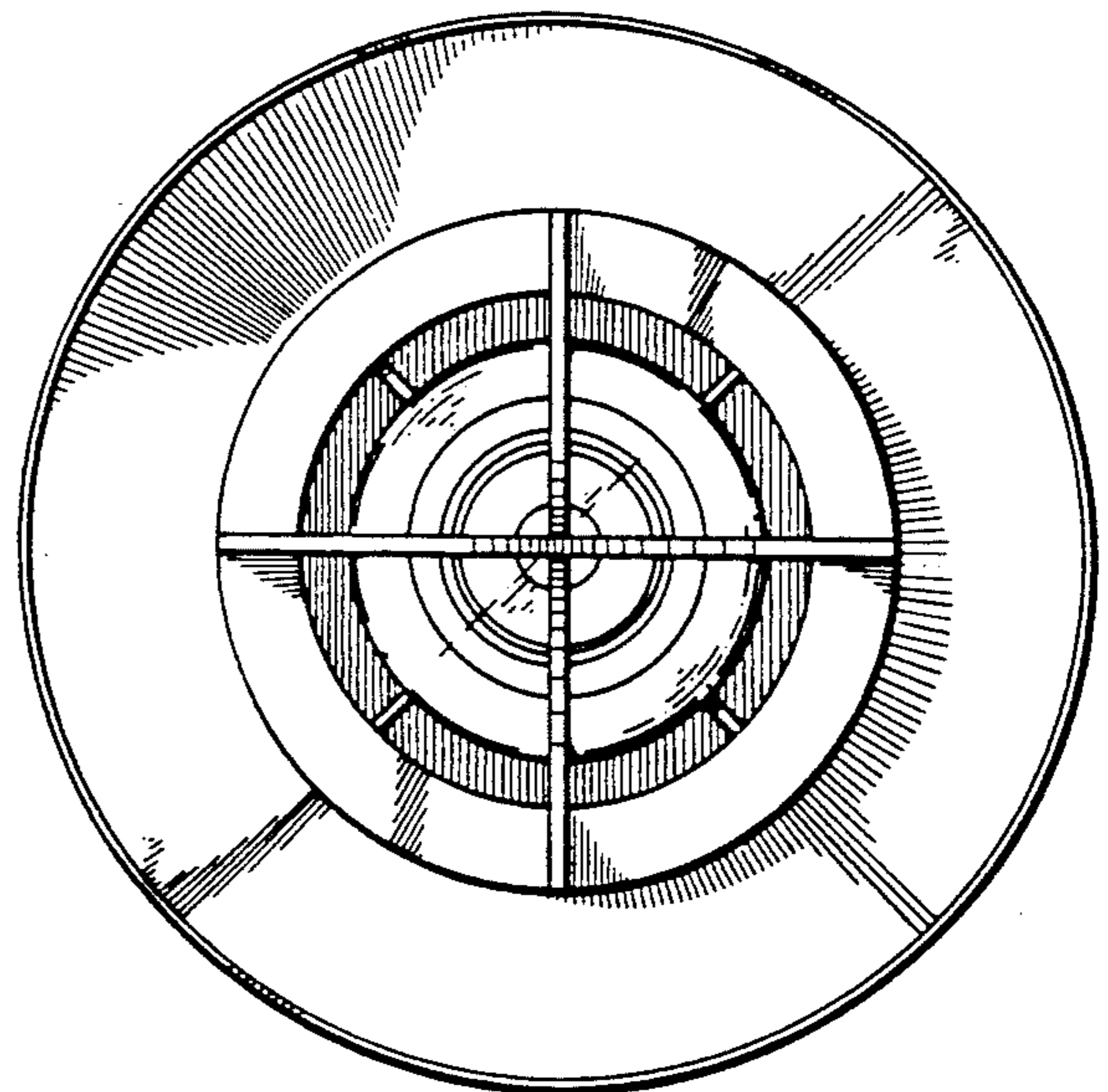
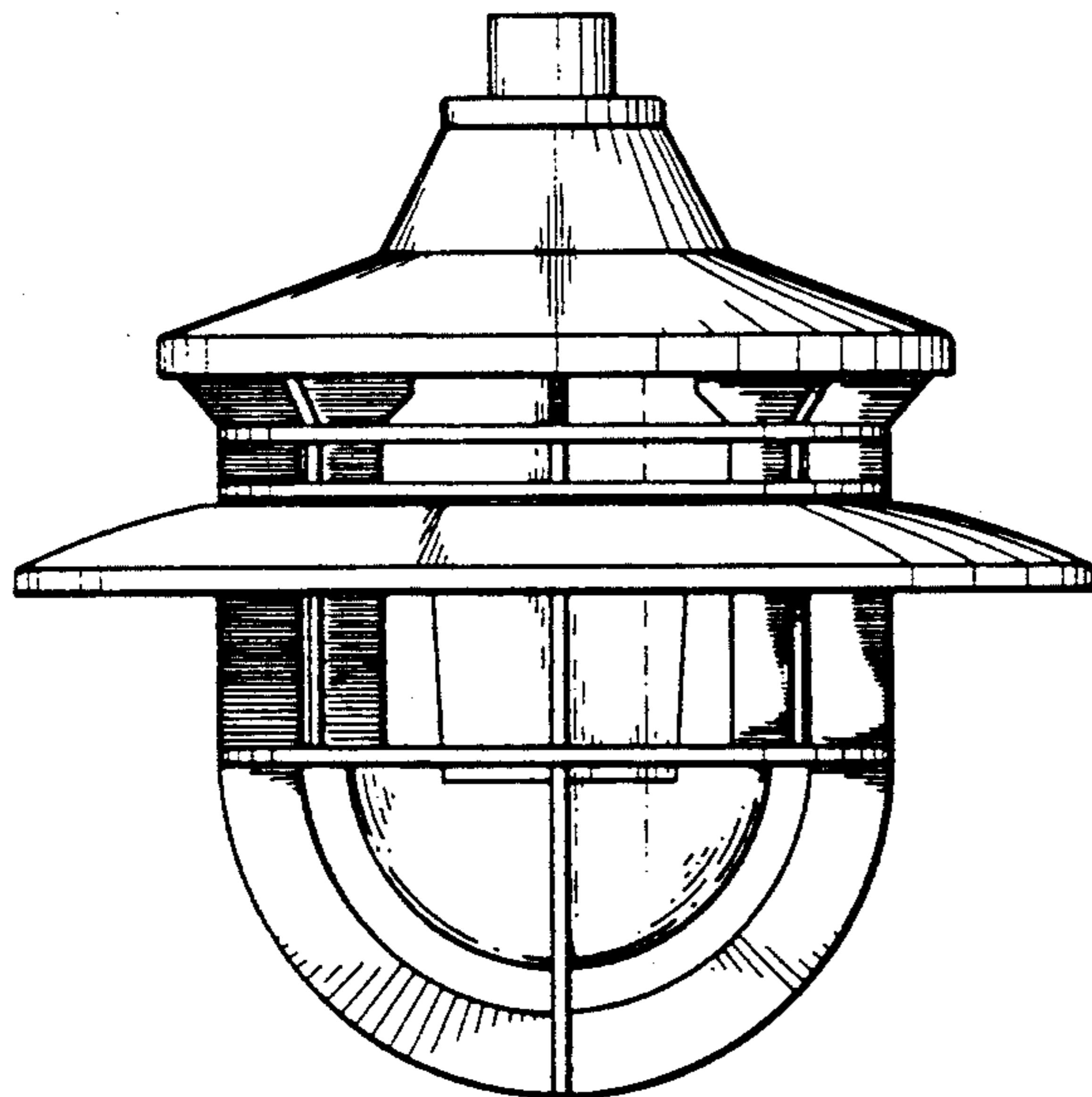
[56] **References Cited**

U.S. PATENT DOCUMENTS

FIG. 6 is a side elevational view thereof, the portion shown in broken lines depicts a lamp post and a bracket for supporting the street lamp and forms no part of the present design. The opposite side of the street lamp is identical to the side shown in FIG. 6.

D. 300,372 3/1989 O'Dohanue et al. **D26/67**
3,723,724 3/1973 Appleton **D26/67 X**

Primary Examiner—Susan J. Lucas



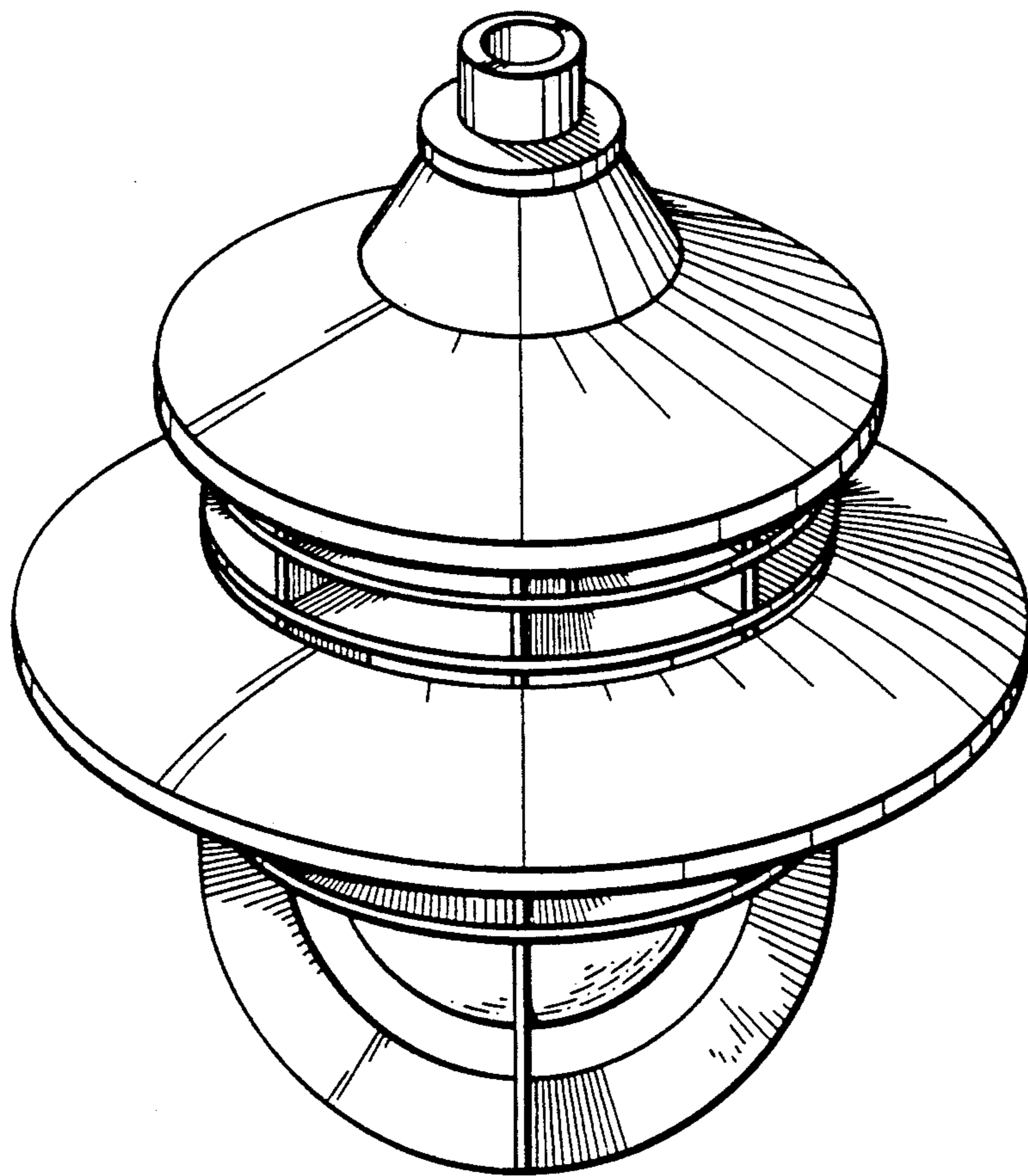


FIG 1

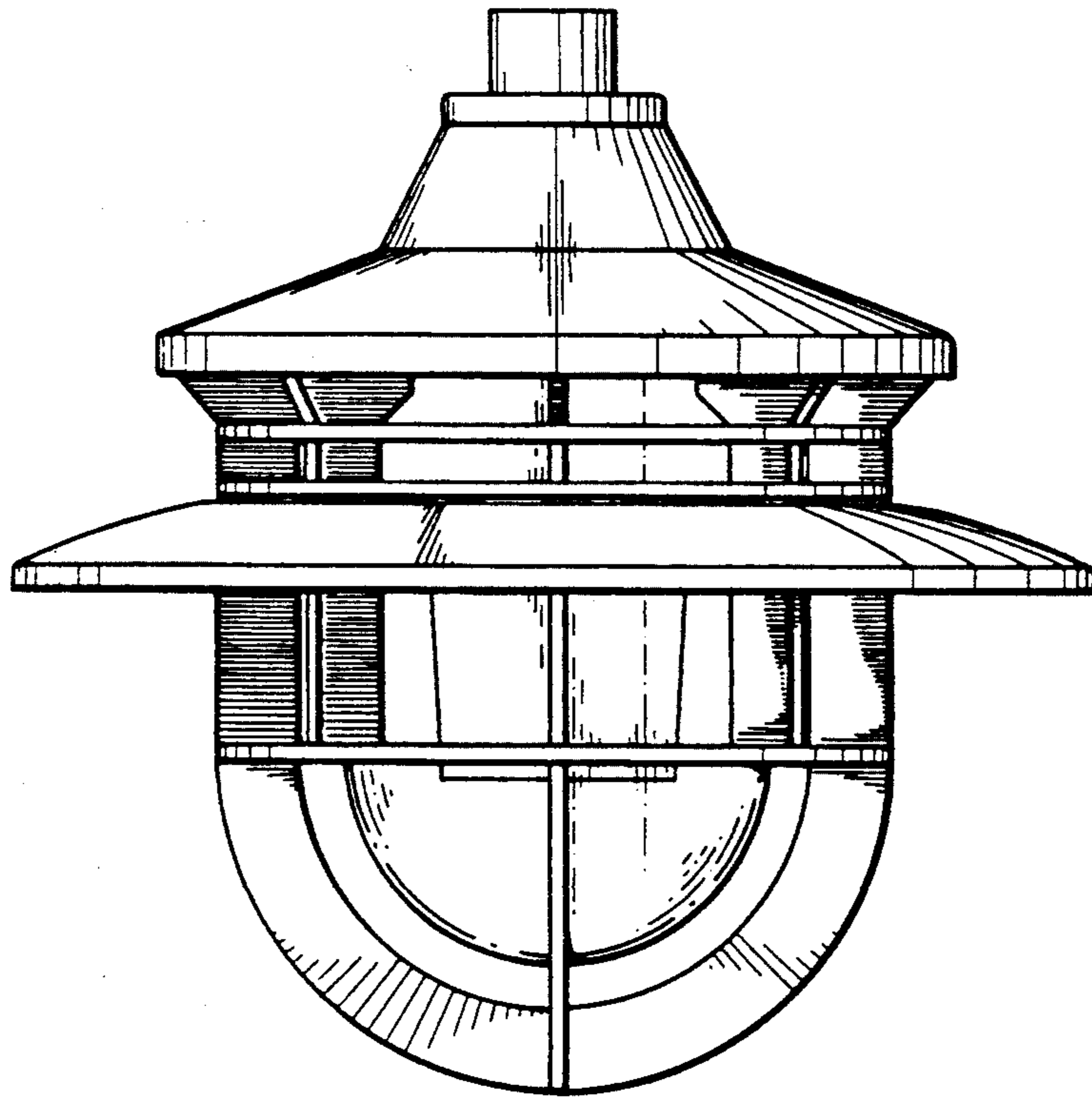


FIG 2

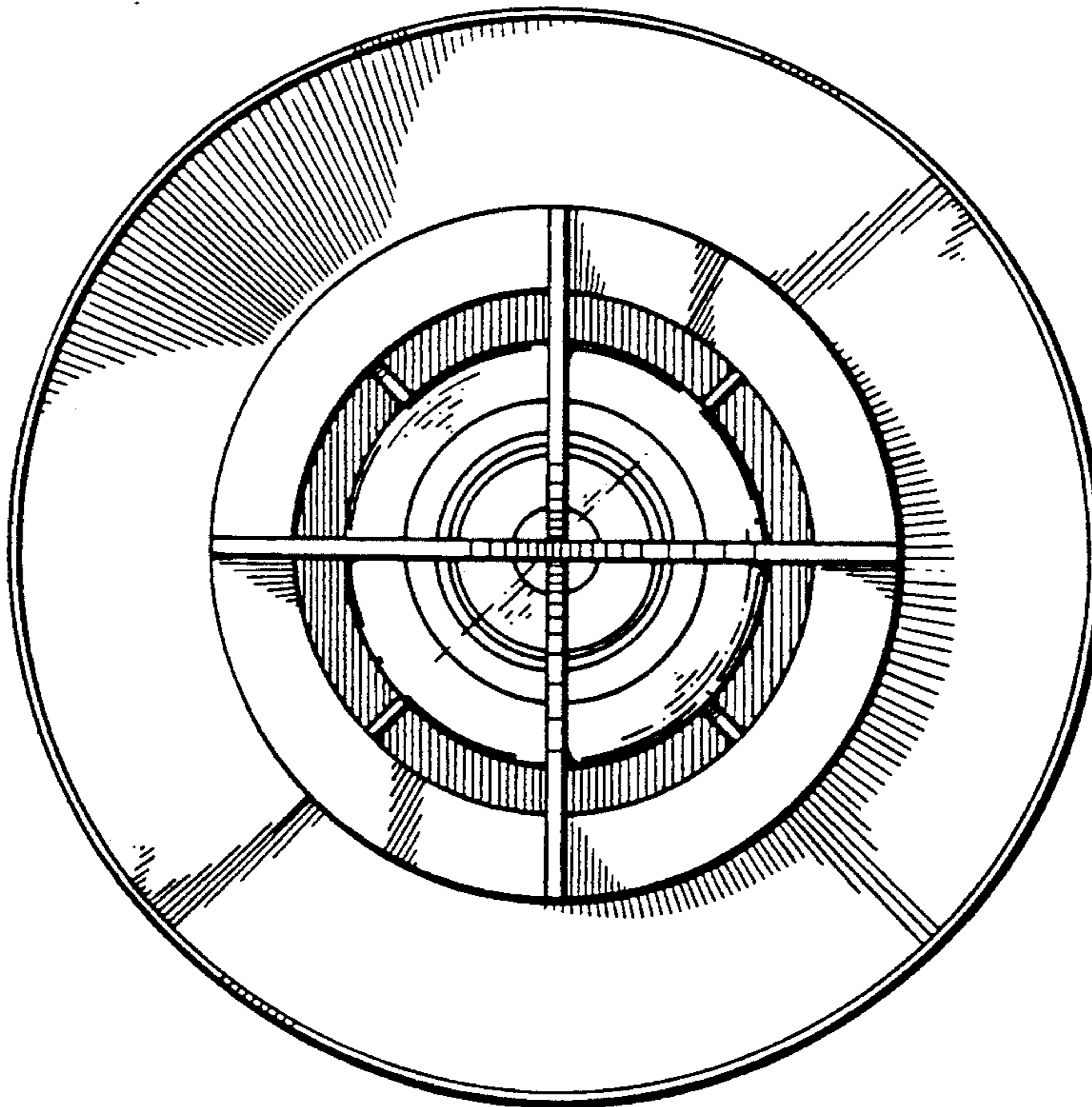


FIG 3

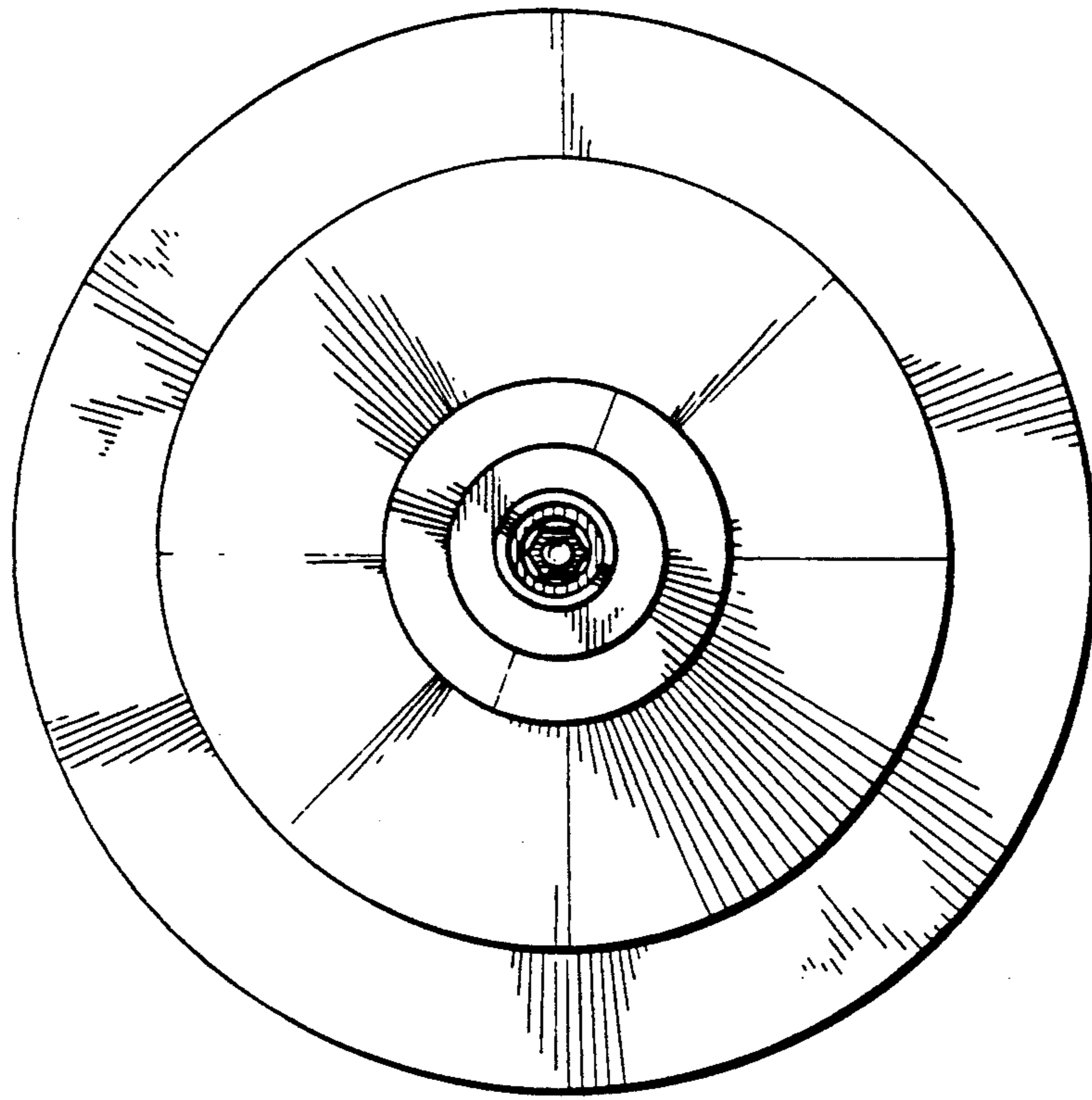


FIG 4

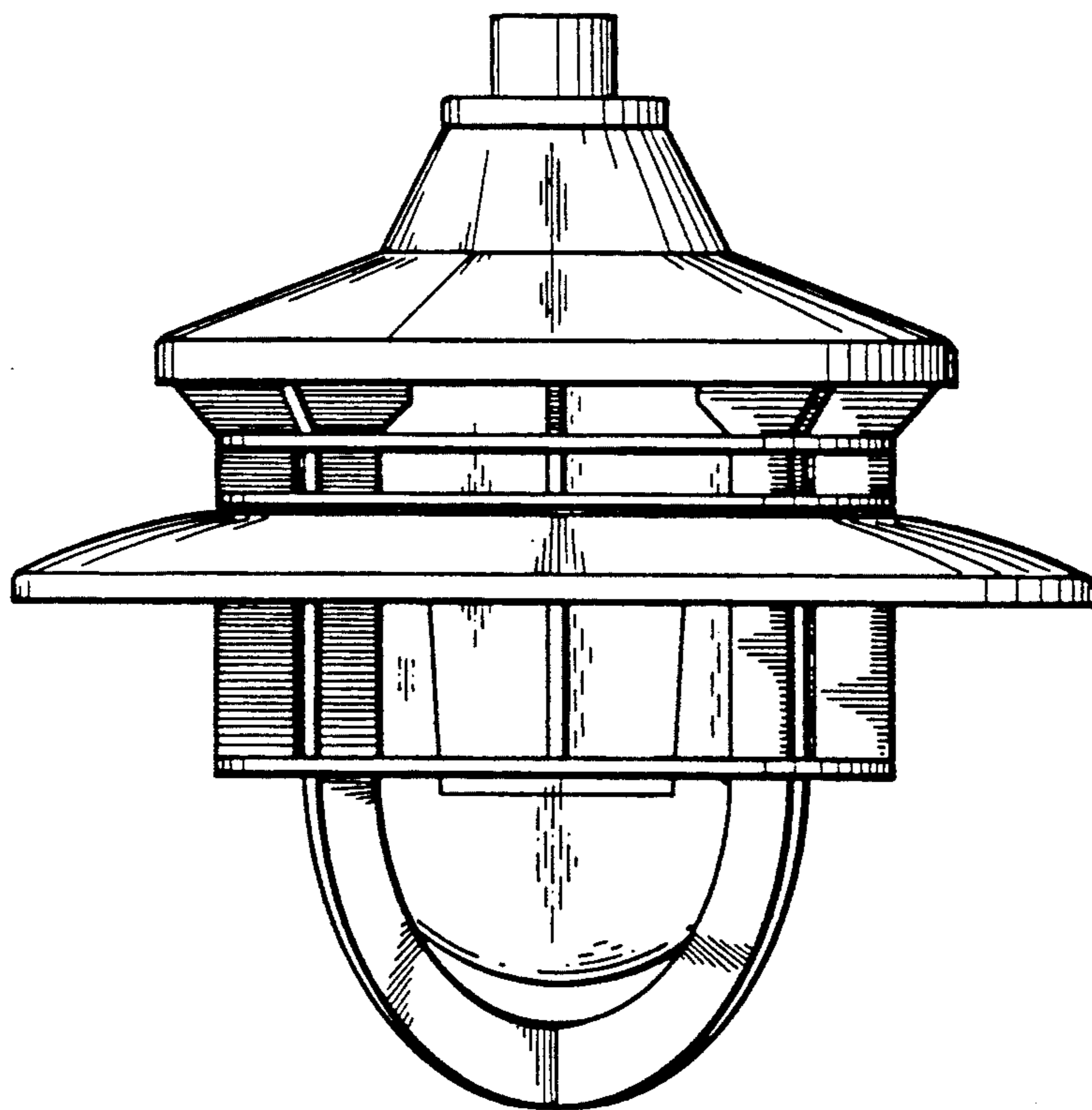


FIG 5

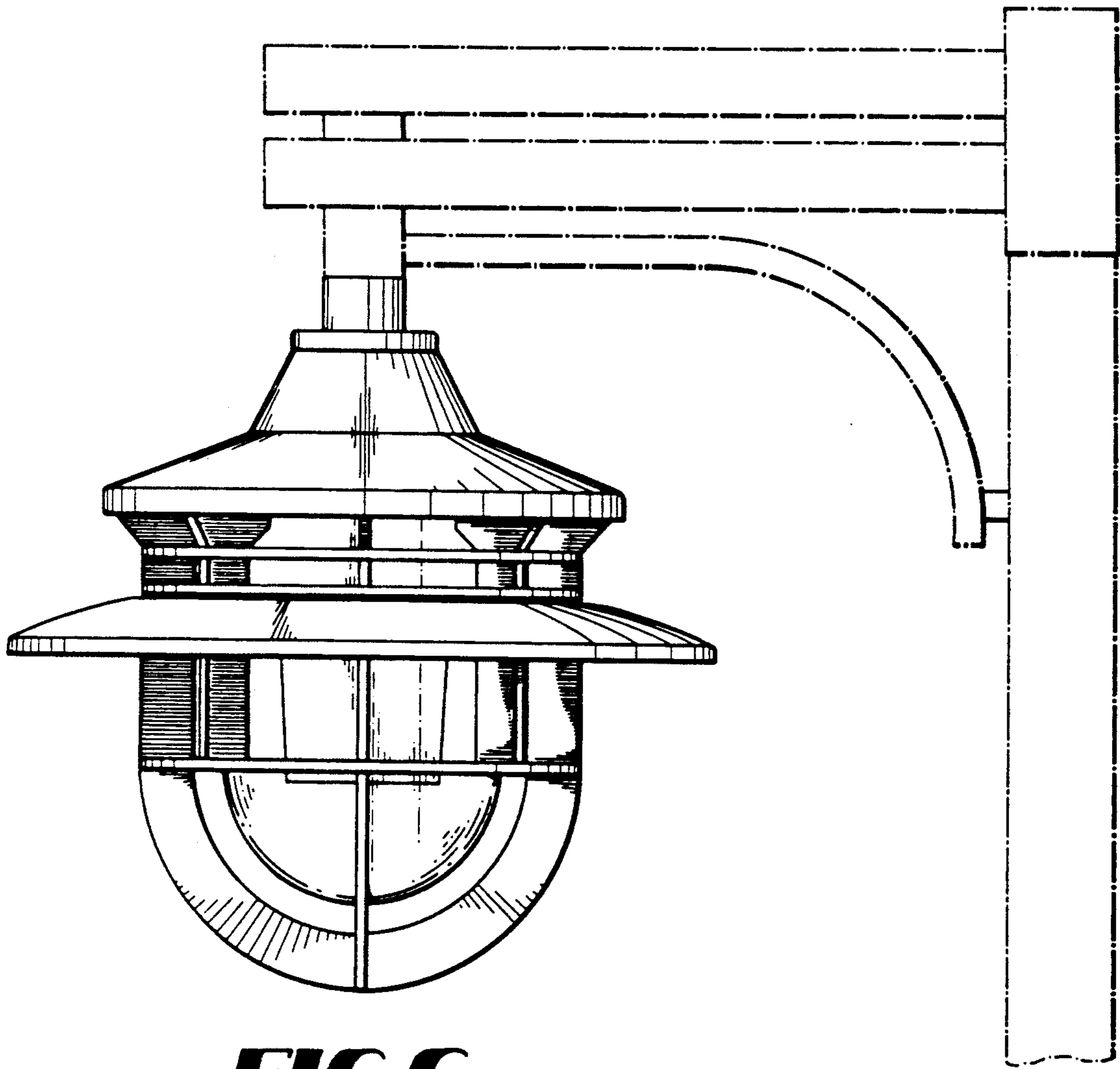


FIG 6